



US00D834699S

(12) **United States Design Patent** (10) **Patent No.:** **US D834,699 S**
Joly et al. (45) **Date of Patent:** **** Nov. 27, 2018**

(54) **BASEBOARD HEATER COVER**

(71) Applicants: **Jeannine R. Joly**, North Smithfield, RI (US); **Robert N. Joly**, North Smithfield, RI (US)

(72) Inventors: **Jeannine R. Joly**, North Smithfield, RI (US); **Robert N. Joly**, North Smithfield, RI (US)

(**) Term: **15 Years**

(21) Appl. No.: **29/620,178**

(22) Filed: **Aug. 4, 2016**

(51) **LOC (11) Cl.** **23-03**

(52) **U.S. Cl.**
USPC **D23/395**

(58) **Field of Classification Search**

USPC D12/192; D23/314, 317, 324-327, D23/332-337, 341, 342, 351, 355, 364, D23/370, 378, 381, 386-387, 392, 393, D23/401; 49/50-57, 74.1, 77.1, 80.1; 126/90 A, 92 A, 110 B; 392/347, 350, 392/360, 365, 367, 368, 373-376; 454/155, 278, 279, 309; D3/203.2, 203.6, D3/212, 237, 266, 271.8, 288, 294-296; D6/661, 665, 674.1, 675, 682.1, 683, 691, D6/691.1, 691.7, 703.5, 705.3, 708.14, D6/709.14, 718.19, 719.2, 556, 557; D9/661-663, 560, 418; 108/59, 91, 92, 108/96, 107; 211/40, 41.12, 42, 49.1, 50, 211/85.2, 90.04, 187, 190, 119.003, 134, 211/153, 87.01, 71.01; D5/16, 17, 24, 32
CPC F21V 15/01; F21V 21/04; F21V 17/107; F21V 23/06; F21Y 2103/00; F21S 8/02
See application file for complete search history.

(56) **References Cited**

U.S. PATENT DOCUMENTS

D290,745 S * 7/1987 Whitley, II D12/317
5,197,111 A * 3/1993 Mills, II F24H 3/002
165/129

D341,879 S * 11/1993 Takasuna D23/351
D367,925 S * 3/1996 Smilo D23/370
D371,429 S * 7/1996 Ternlind D23/386
D394,695 S * 5/1998 Blais D23/330
D415,921 S * 11/1999 Harris D6/630
D419,434 S * 1/2000 Yoon D9/661
D475,873 S * 6/2003 Mello D6/515
D523,261 S * 6/2006 Ferrer Beltran D6/661
D566,261 S * 4/2008 Brown D23/388
D579,702 S * 11/2008 McArdle D6/515

(Continued)

OTHER PUBLICATIONS

“Make a Card Box.” instructables.com. Dec. 5, 2012. Accessed Jul. 5, 2018. Available online at URL: <<http://www.instructables.com/id/Make-a-Card-Box/>>.*

Primary Examiner — Cathron C Brooks
Assistant Examiner — Christian P. McLean
(74) *Attorney, Agent, or Firm* — Paul R Martin

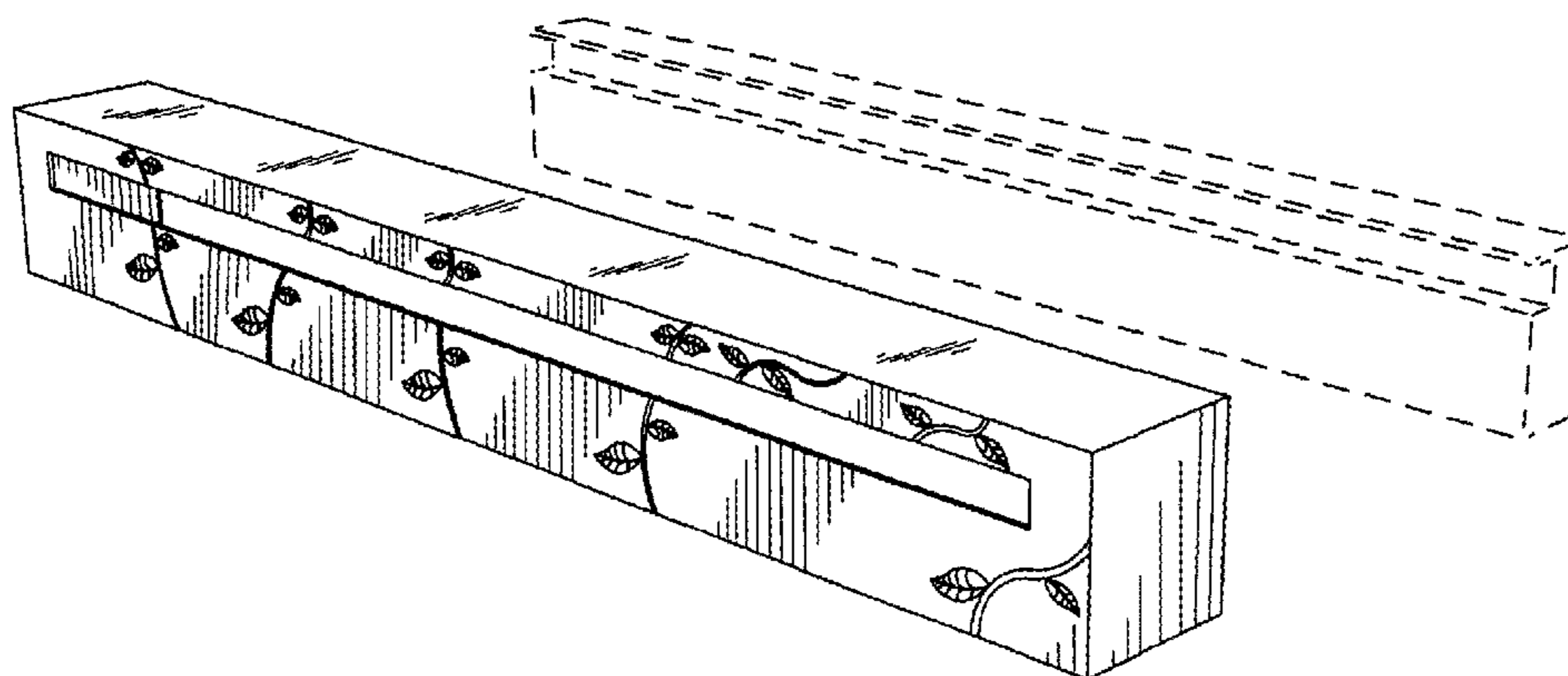
(57) **CLAIM**

The ornamental design for a baseboard heater cover, as shown and described.

DESCRIPTION

FIG. 1 is a perspective view of the baseboard heater cover our new design, showing it situated in relation to a conventional baseboard heater.
FIG. 2 is a front elevational view thereof.
FIG. 3 is a back elevational view thereof.
FIG. 4 is an elevational view of the right side thereof. The elevational view of the left side is a mirror image thereof; and,
FIG. 5 is a top plan view thereof. The bottom plan view is a mirror image thereof.
The baseboard heater shown in broken lines in FIG. 1, is an environmental element, and forms no part of our invention.

1 Claim, 3 Drawing Sheets



(56)

References Cited

U.S. PATENT DOCUMENTS

D585,973 S *	2/2009	Geleziunas	D23/395
D620,570 S *	7/2010	Thomas	D23/342
D693,153 S *	11/2013	Kwok	D6/661
D737,418 S *	8/2015	Hrydovyy	D23/342
D770,024 S *	10/2016	Nakai	D23/351
D776,546 S *	1/2017	Rubio	D9/434
D777,894 S *	1/2017	Kato	D23/351
D795,687 S *	8/2017	Pollock	D9/418
2006/0018111 A1 *	1/2006	Legat	F21V 15/01 362/147

* cited by examiner

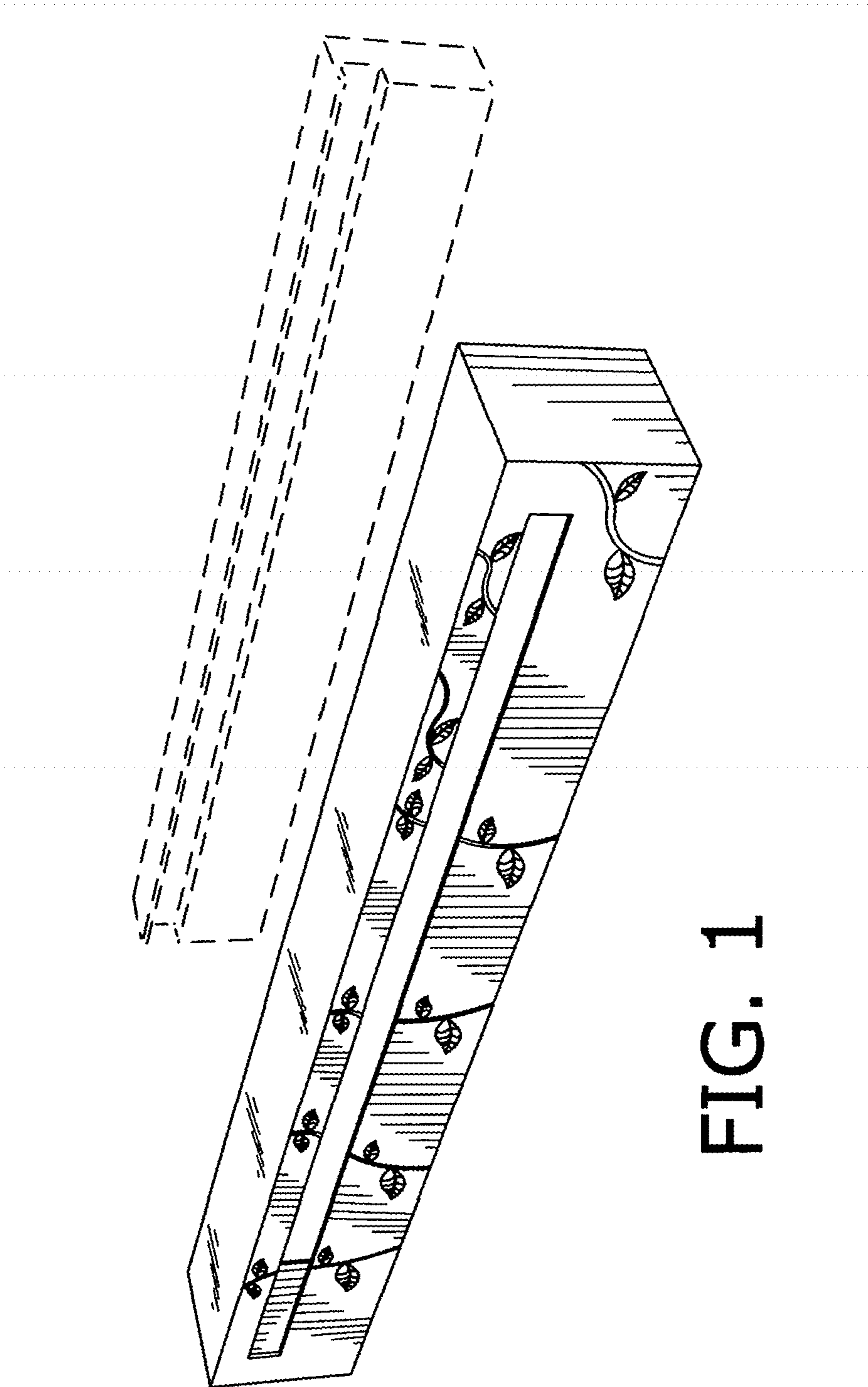


FIG. 1

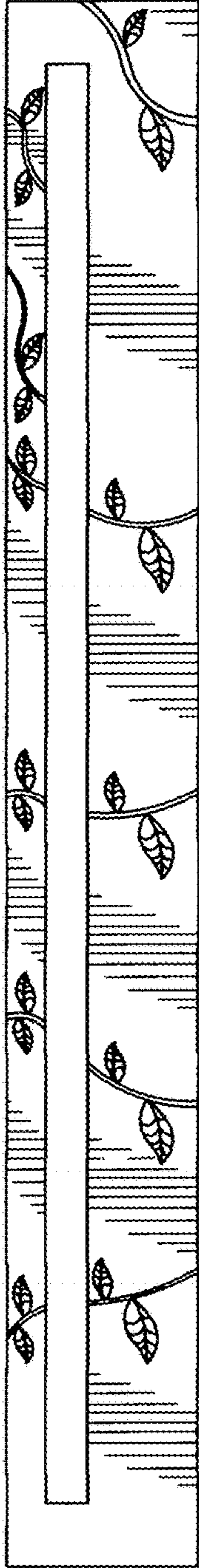


FIG. 2

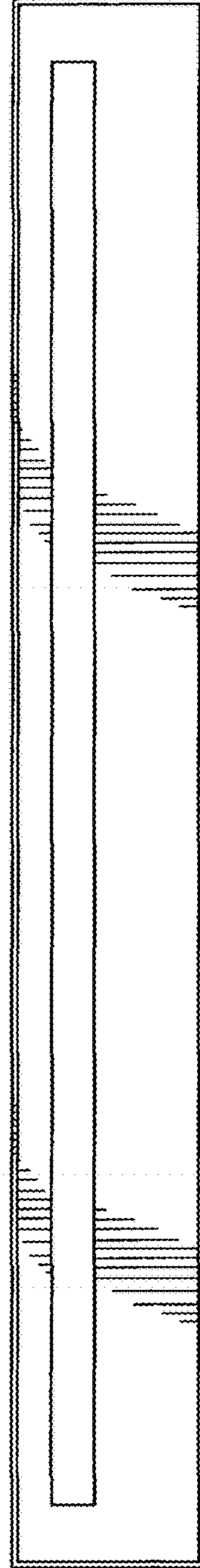


FIG. 3

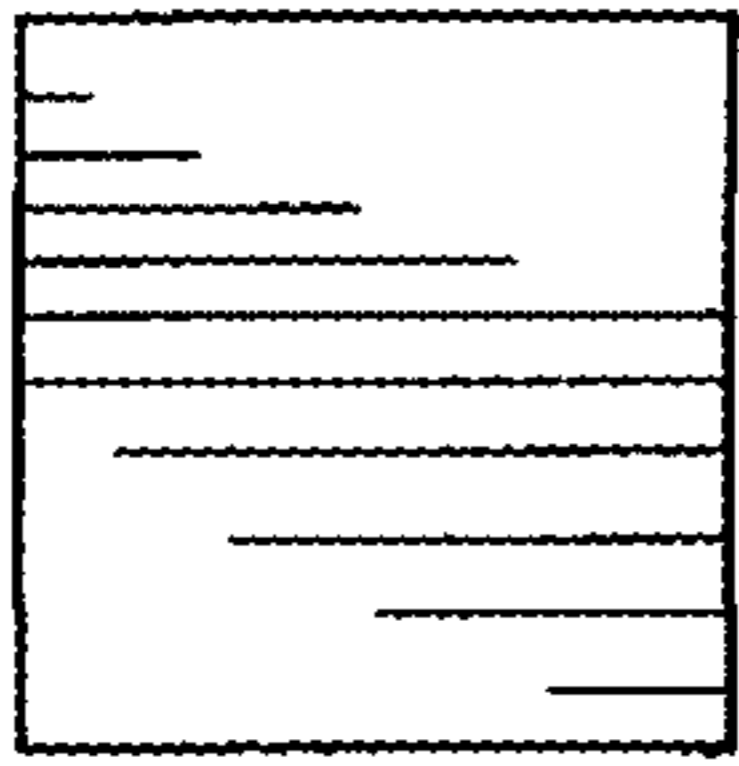


FIG. 4

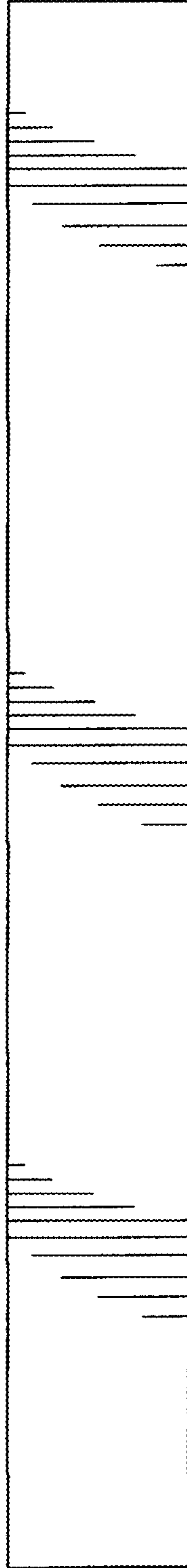


FIG. 5