



US00D834698S

(12) **United States Design Patent**
Hidalgo

(10) **Patent No.:** **US D834,698 S**

(45) **Date of Patent:** **** Nov. 27, 2018**

(54) **COMBINATION CEILING FAN AND LIGHT FIXTURE**

(71) Applicant: **Minka Lighting, Inc.**, Corona, CA (US)

(72) Inventor: **Rolando Hidalgo**, Yorba Linda, CA (US)

(73) Assignee: **Minka Lighting, Inc.**, Corona, CA (US)

(**) Term: **15 Years**

(21) Appl. No.: **29/649,877**

(22) Filed: **Jun. 1, 2018**

Related U.S. Application Data

(63) Continuation-in-part of application No. 29/590,111, filed on Jan. 6, 2017.

(51) **LOC (11) Cl.** **23-04**

(52) **U.S. Cl.**
USPC **D23/377**

(58) **Field of Classification Search**
USPC D23/370, 377, 379, 385, 411; D26/59
CPC F04D 25/088; F21V 33/0096
See application file for complete search history.

(56) **References Cited**

U.S. PATENT DOCUMENTS

D408,073 S * 4/1999 Tai D23/377
D428,982 S * 8/2000 Oldenburg D23/377

D449,396 S * 10/2001 Campbell D26/59
D450,831 S * 11/2001 Hsieh D23/377
D464,722 S * 10/2002 Sonneman D23/377
D536,466 S * 2/2007 Pan D26/59
D552,777 S * 10/2007 Pan D26/59
D633,611 S * 3/2011 Pan D23/377
D804,636 S * 12/2017 Guthrie D23/377
D804,638 S * 12/2017 Guthrie D23/377
D810,918 S * 2/2018 Holmes D23/377

* cited by examiner

Primary Examiner — Janice Hallmark

(74) *Attorney, Agent, or Firm* — Baker McKenzie LLP

(57) **CLAIM**

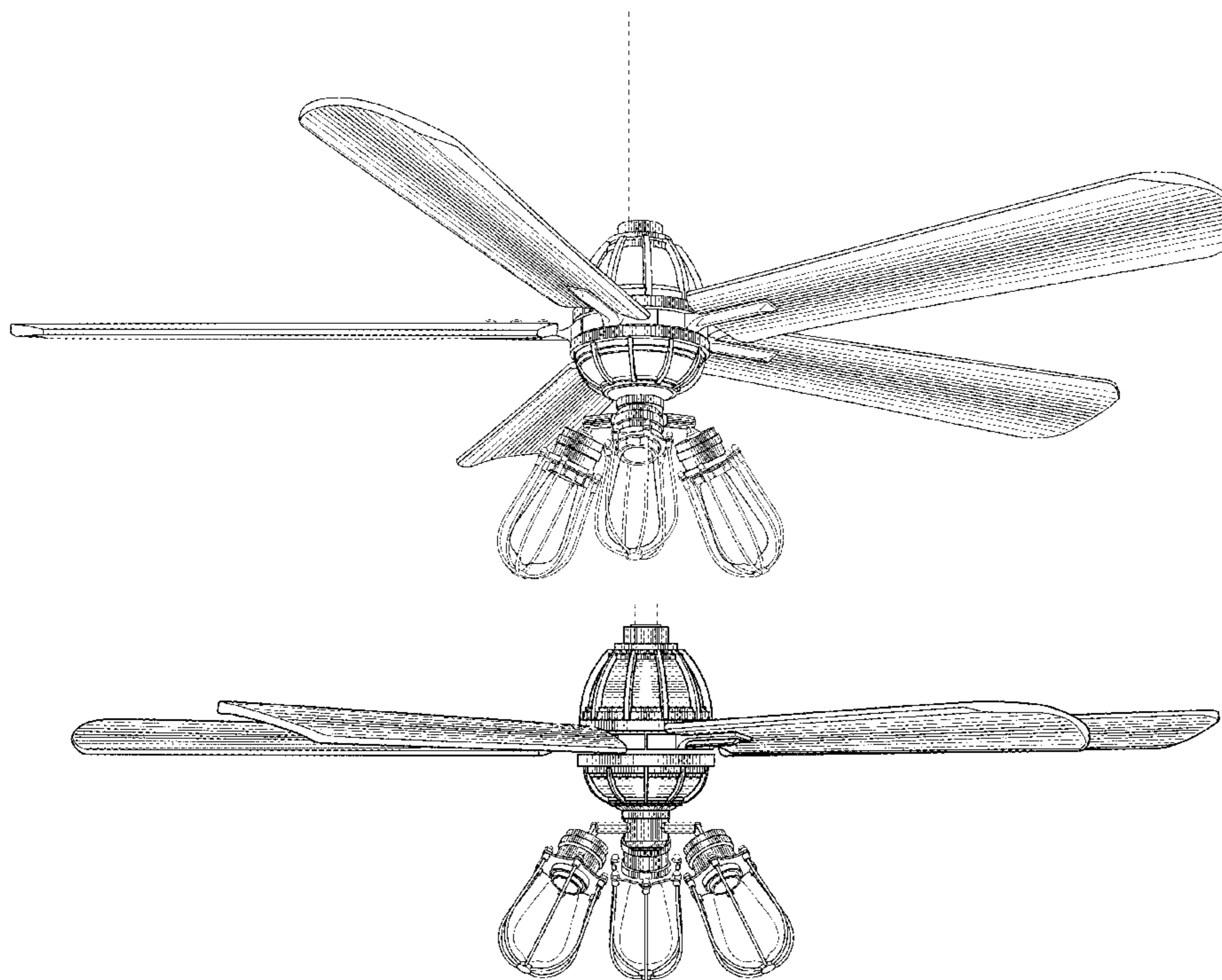
The ornamental design for a combination ceiling fan and light fixture, as shown and described.

DESCRIPTION

FIG. 1 is a perspective view of a combination ceiling fan and light fixture in accordance with my design;
FIG. 2 is a top plan view thereof;
FIG. 3 is a bottom plan view thereof;
FIG. 4 is a front elevation view thereof;
FIG. 5 is a rear elevation view thereof;
FIG. 6 is a left elevation view thereof; and,
FIG. 7 is a right elevation view thereof.

The broken lines in the drawings illustrate portions of the ceiling fan that form no part of the claimed design.

1 Claim, 5 Drawing Sheets



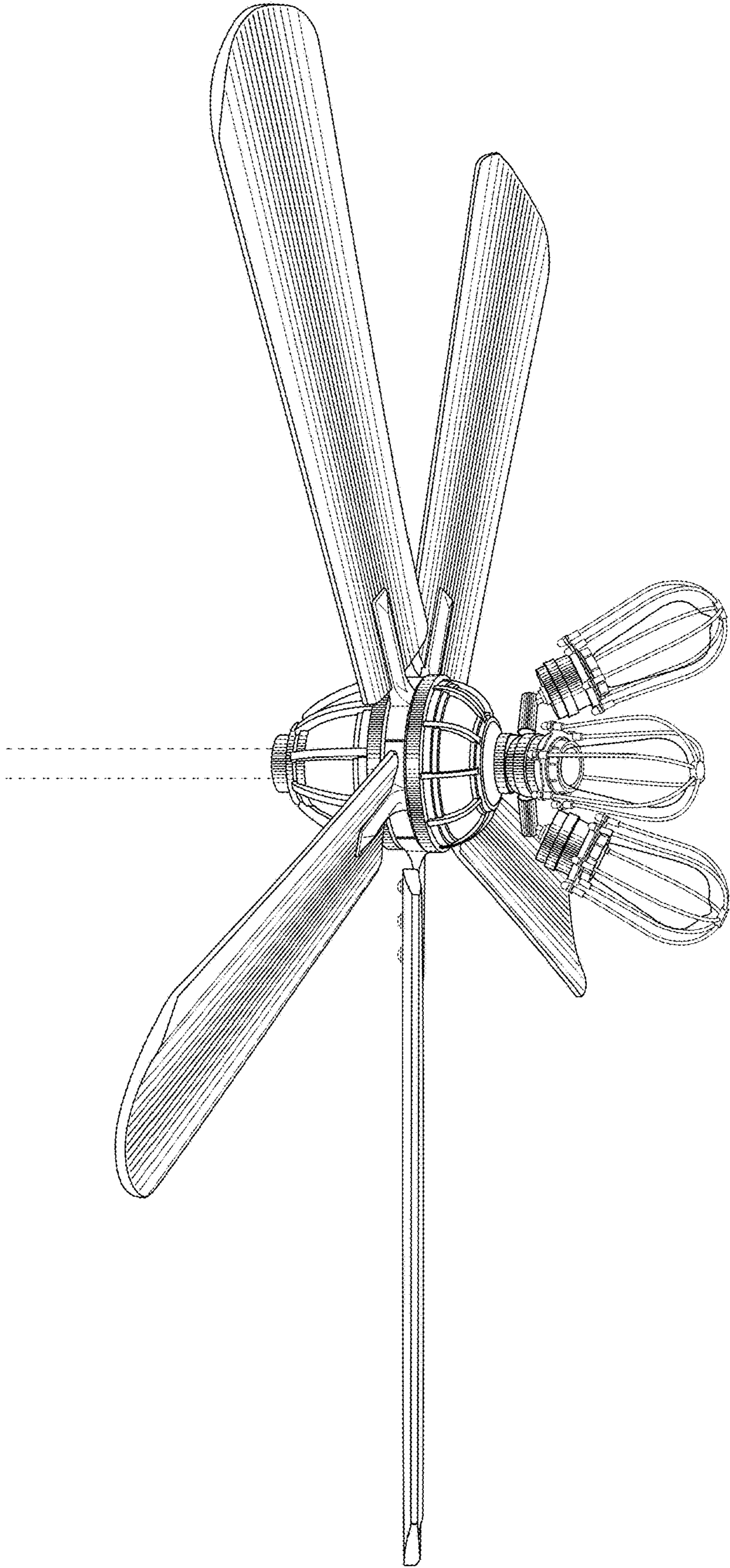


Fig. 1

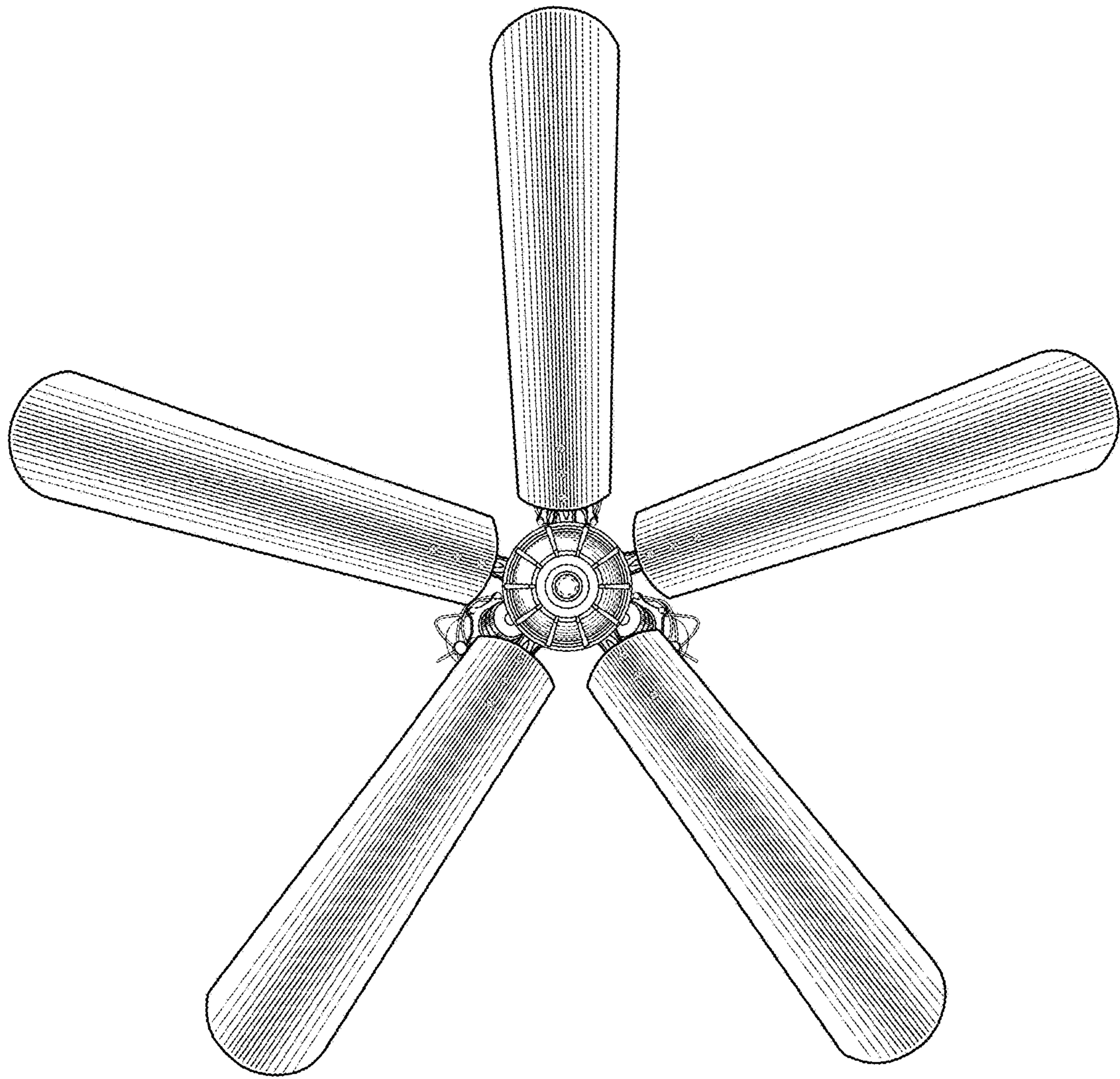


Fig.2

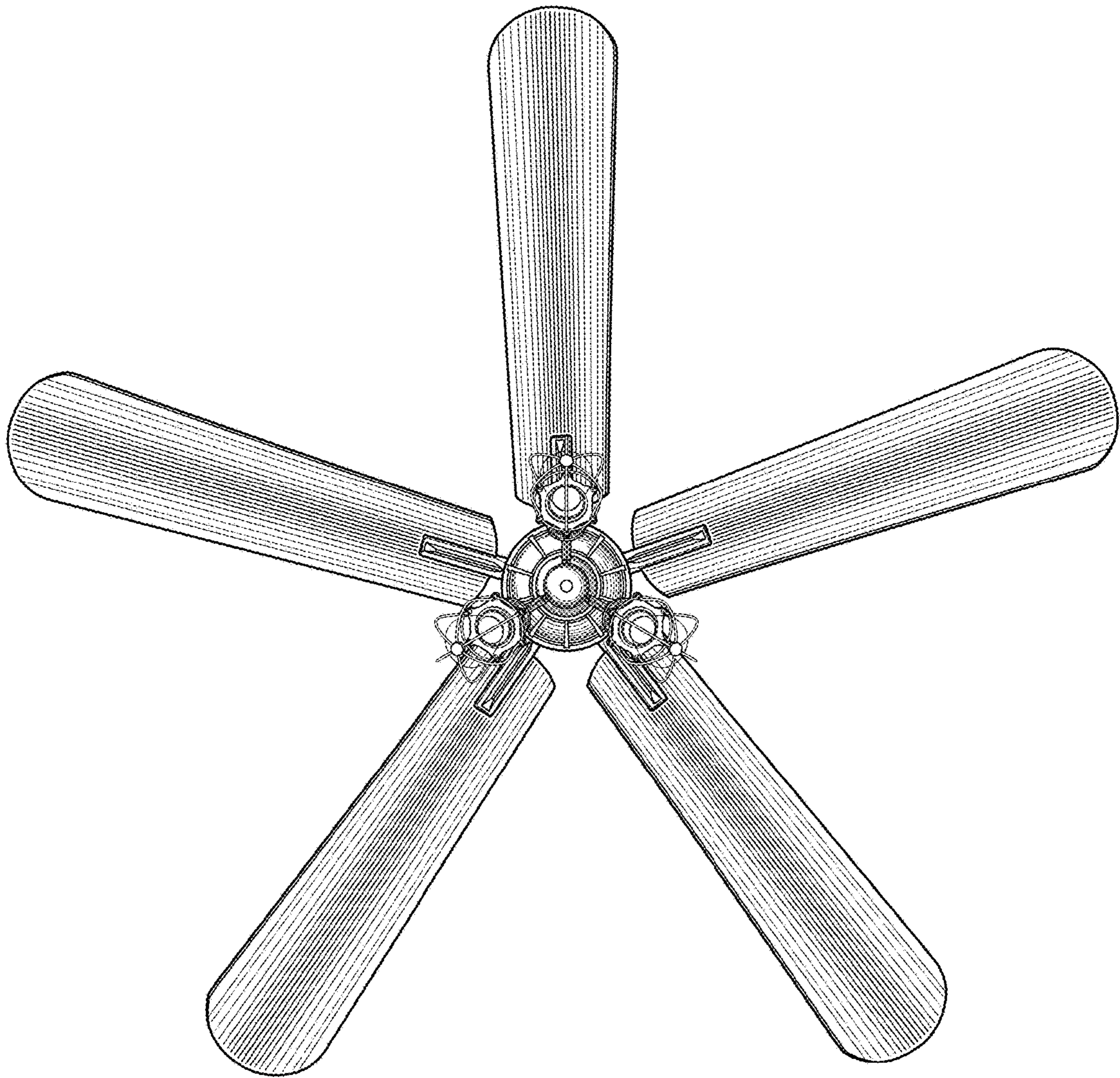


Fig.3

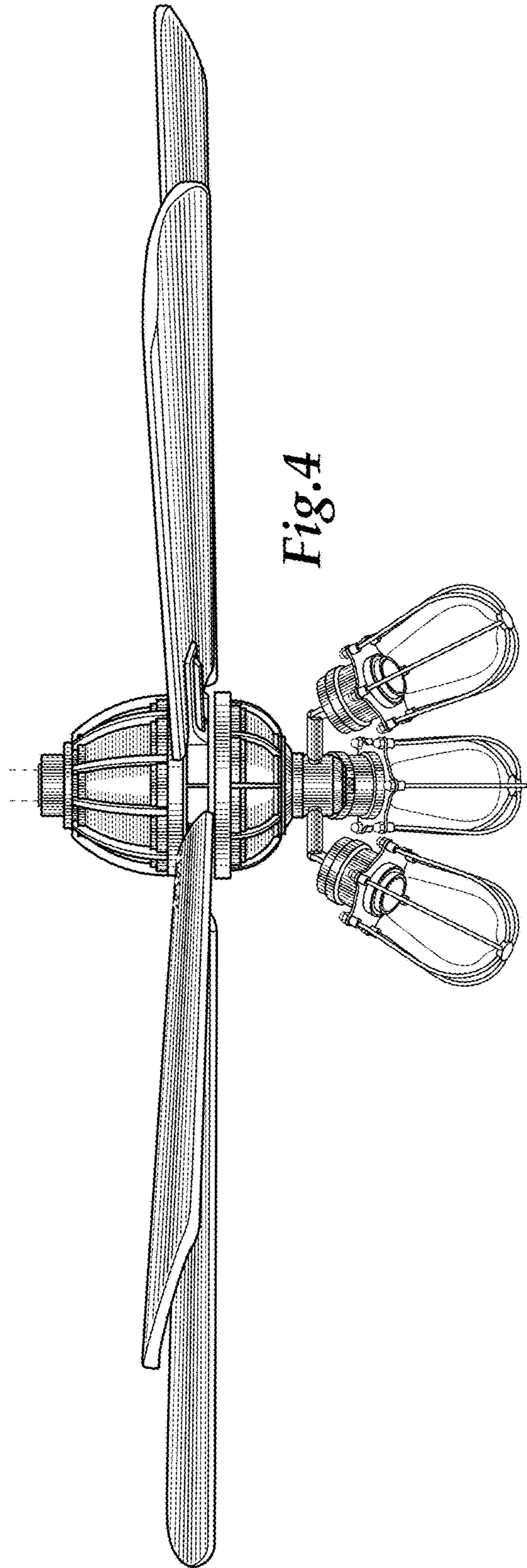


Fig. 4

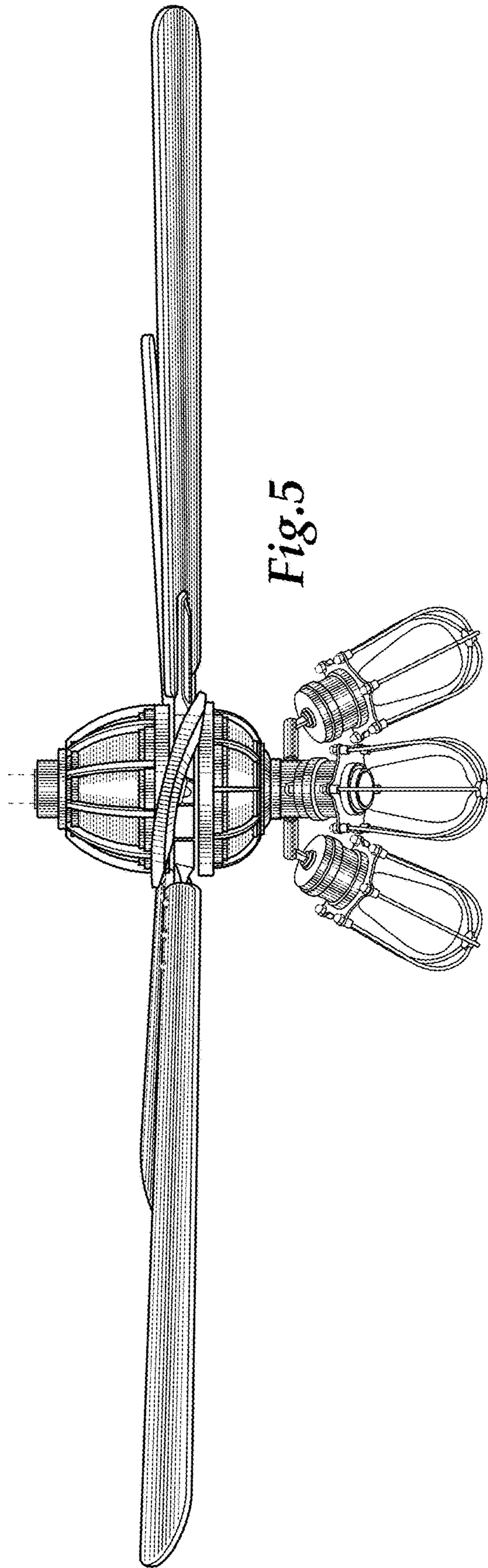


Fig. 5

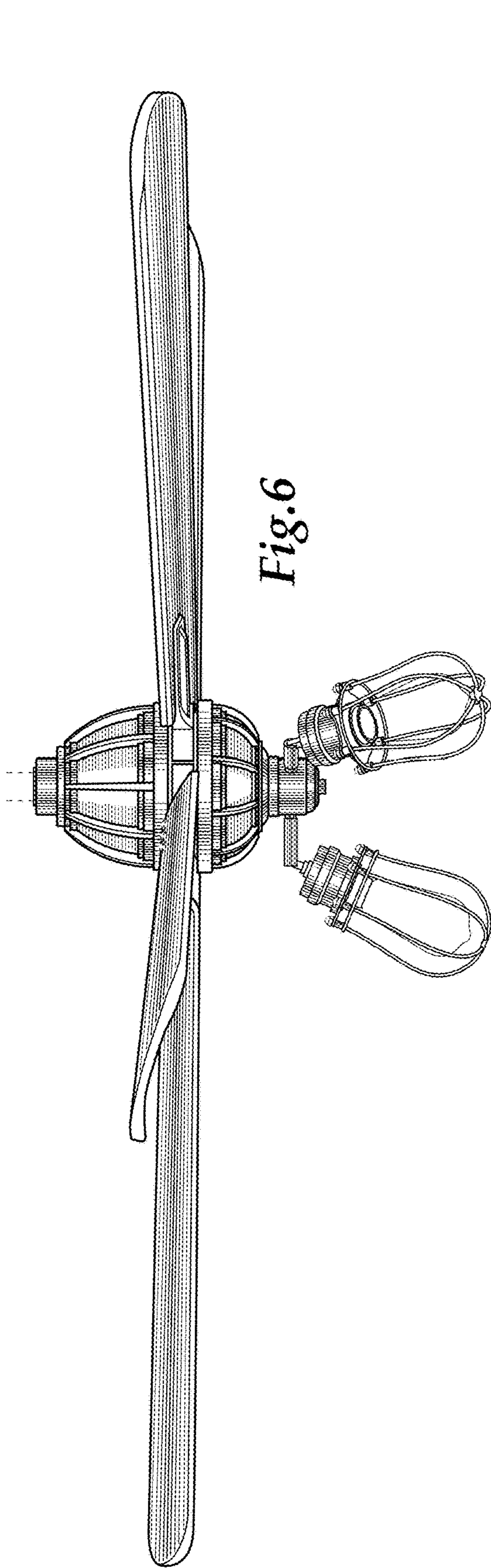


Fig. 6

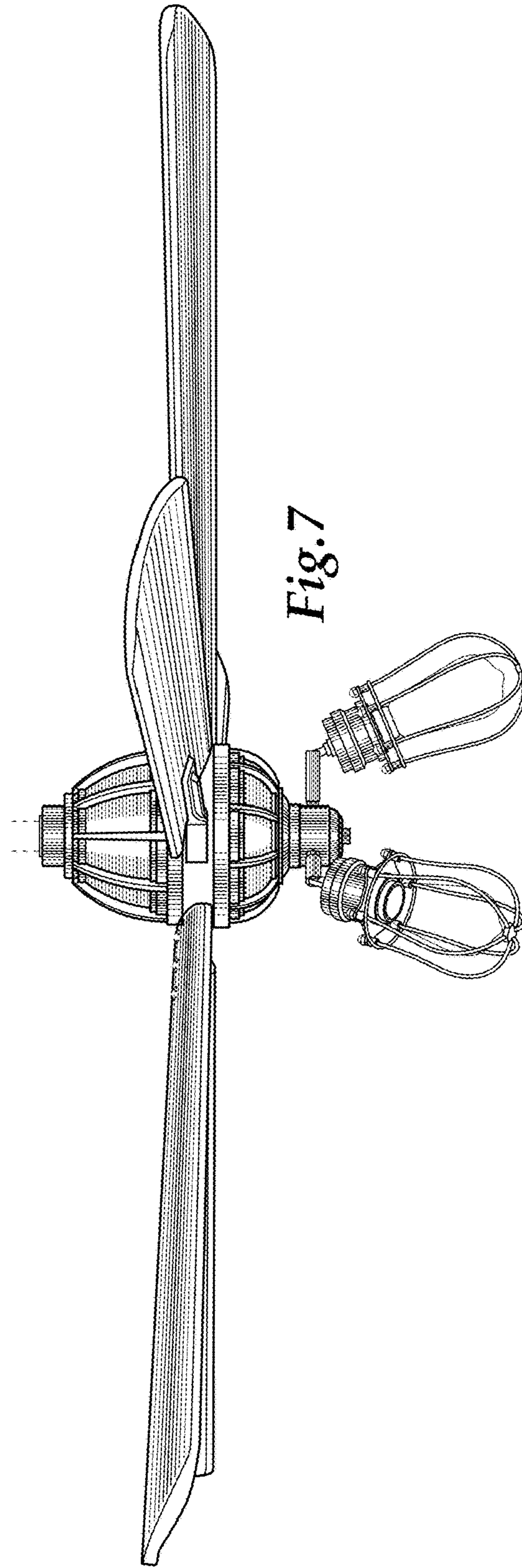


Fig. 7