

US00D834697S

(12) **United States Design Patent**
Gajewski

(10) **Patent No.:** **US D834,697 S**

(45) **Date of Patent:** **** Nov. 27, 2018**

(54) **COMBINATION CEILING FAN AND LIGHT
FIXTURE**

(71) Applicant: **Minka Lighting, Inc.**, Corona, CA
(US)

(72) Inventor: **Mark Gajewski**, Henderson, NV (US)

(73) Assignee: **Minka Lighting, Inc.**, Corona, CA
(US)

(**) Term: **15 Years**

(21) Appl. No.: **29/649,874**

(22) Filed: **Jun. 1, 2018**

Related U.S. Application Data

(63) Continuation-in-part of application No. 29/590,089,
filed on Jan. 6, 2017.

(51) **LOC (11) Cl.** **23-04**

(52) **U.S. Cl.**
USPC **D23/377**

(58) **Field of Classification Search**
USPC D23/370, 377, 379, 385, 411; D26/59
CPC F04D 25/088; F21V 33/0096
See application file for complete search history.

(56) **References Cited**

U.S. PATENT DOCUMENTS

D408,073 S * 4/1999 Tai D23/377
D408,524 S * 4/1999 Tsuji D23/377

D428,648 S * 7/2000 Chen D23/377
D450,831 S * 11/2001 Hsieh D23/377
D476,408 S * 6/2003 Hidalgo D23/411
D520,625 S * 5/2006 Tinen D23/377
D774,175 S * 12/2016 Wang D23/385
D784,510 S * 4/2017 Badarello D23/385
D810,268 S * 2/2018 Holmes D23/377
D810,912 S * 2/2018 McRoberts D23/377
2008/0286105 A1 * 11/2008 Gajewski F24F 7/007
416/155

* cited by examiner

Primary Examiner — Janice Hallmark

(74) *Attorney, Agent, or Firm* — Baker & McKenzie LLP

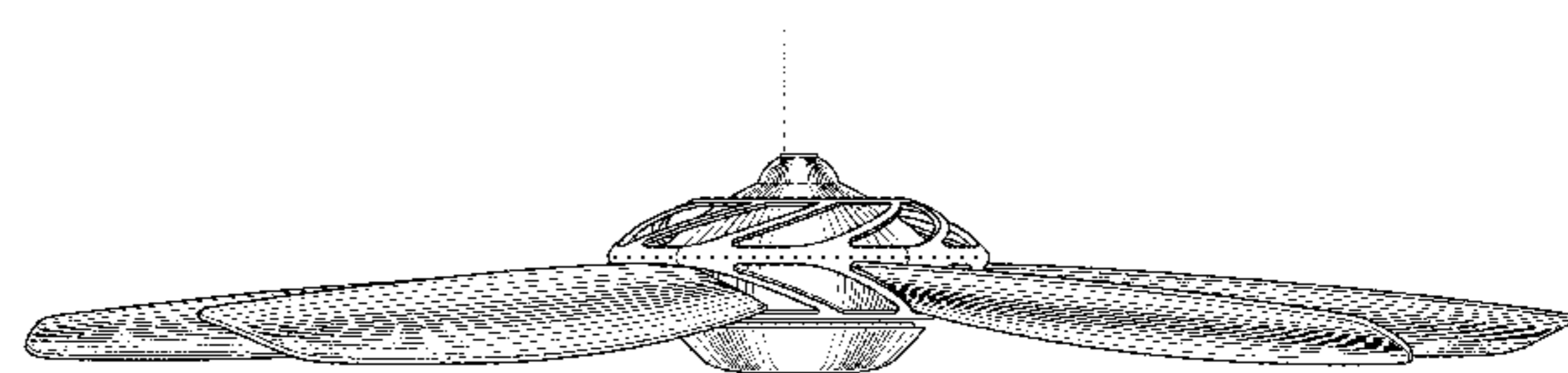
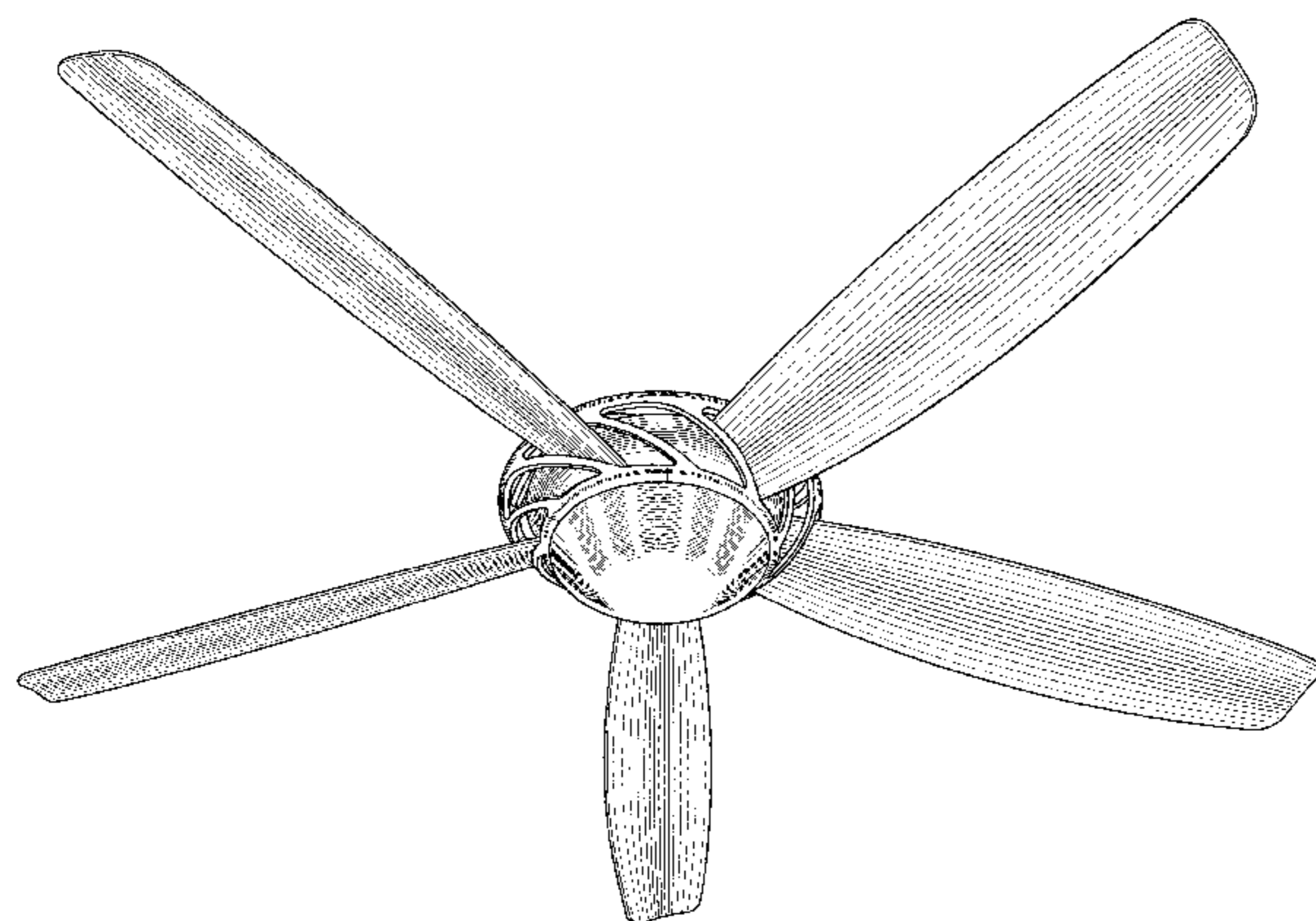
(57) **CLAIM**

The ornamental design for a combination ceiling fan and
light fixture, as shown and described.

DESCRIPTION

FIG. 1 is a perspective view of a combination ceiling fan and
light fixture in accordance with my design;
FIG. 2 is a top plan view thereof;
FIG. 3 is a bottom plan view thereof;
FIG. 4 is a front elevation view thereof;
FIG. 5 is a rear elevation view thereof;
FIG. 6 is a left elevation view thereof; and,
FIG. 7 is a right elevation view thereof.
The broken lines in the drawings illustrate portions of the
ceiling fan that form no part of the claimed design.

1 Claim, 5 Drawing Sheets



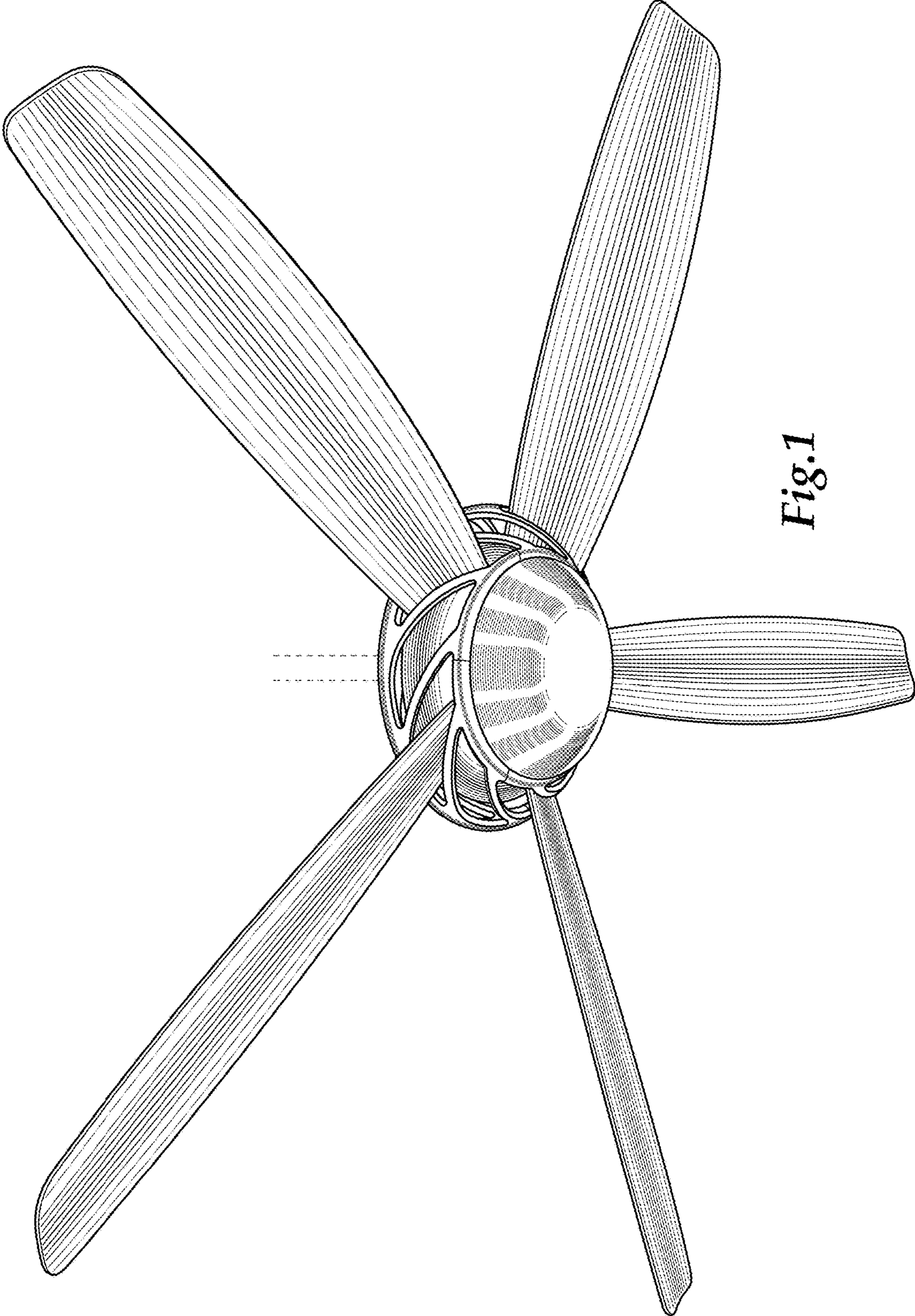


Fig. 1

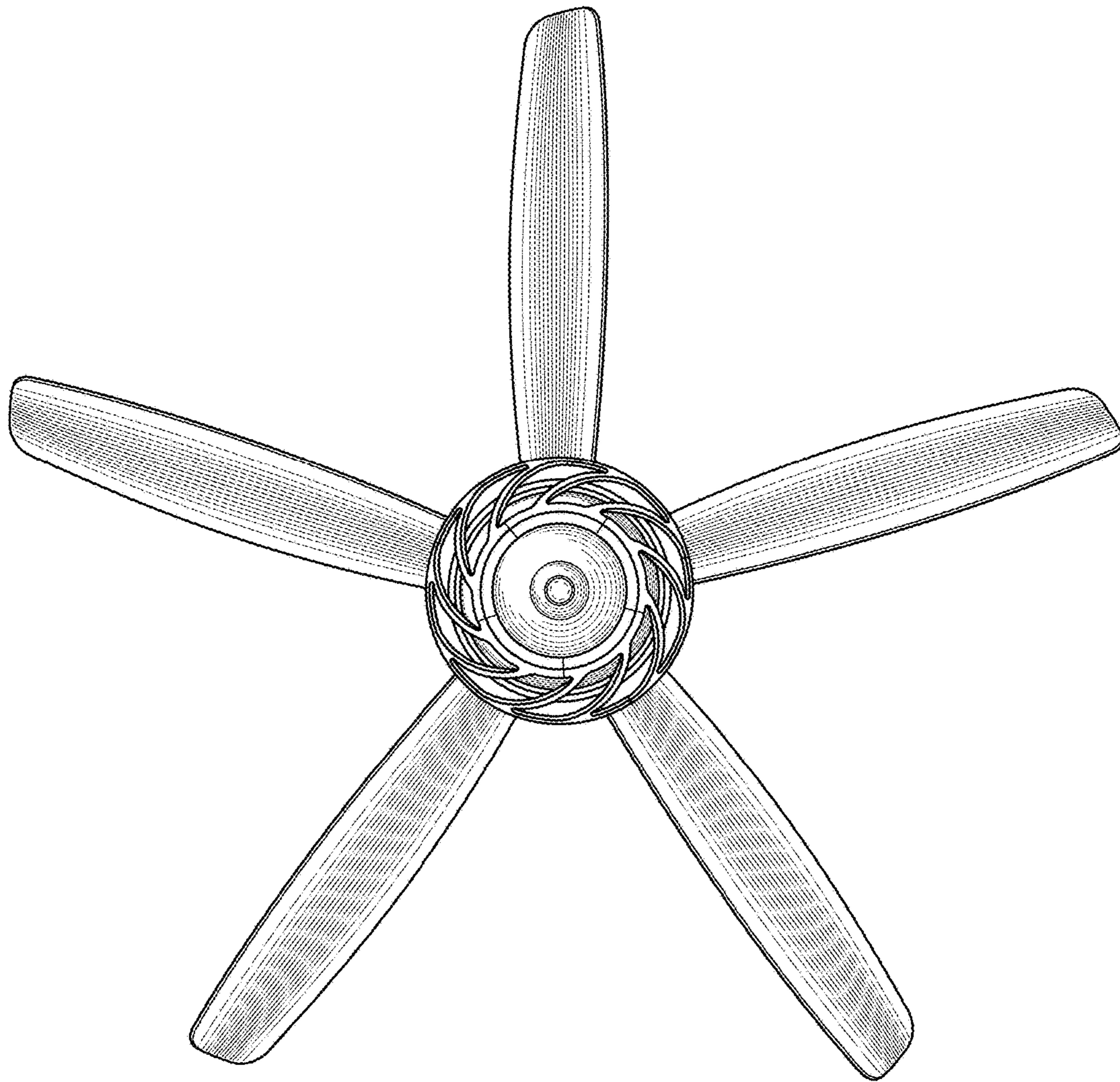


Fig.2

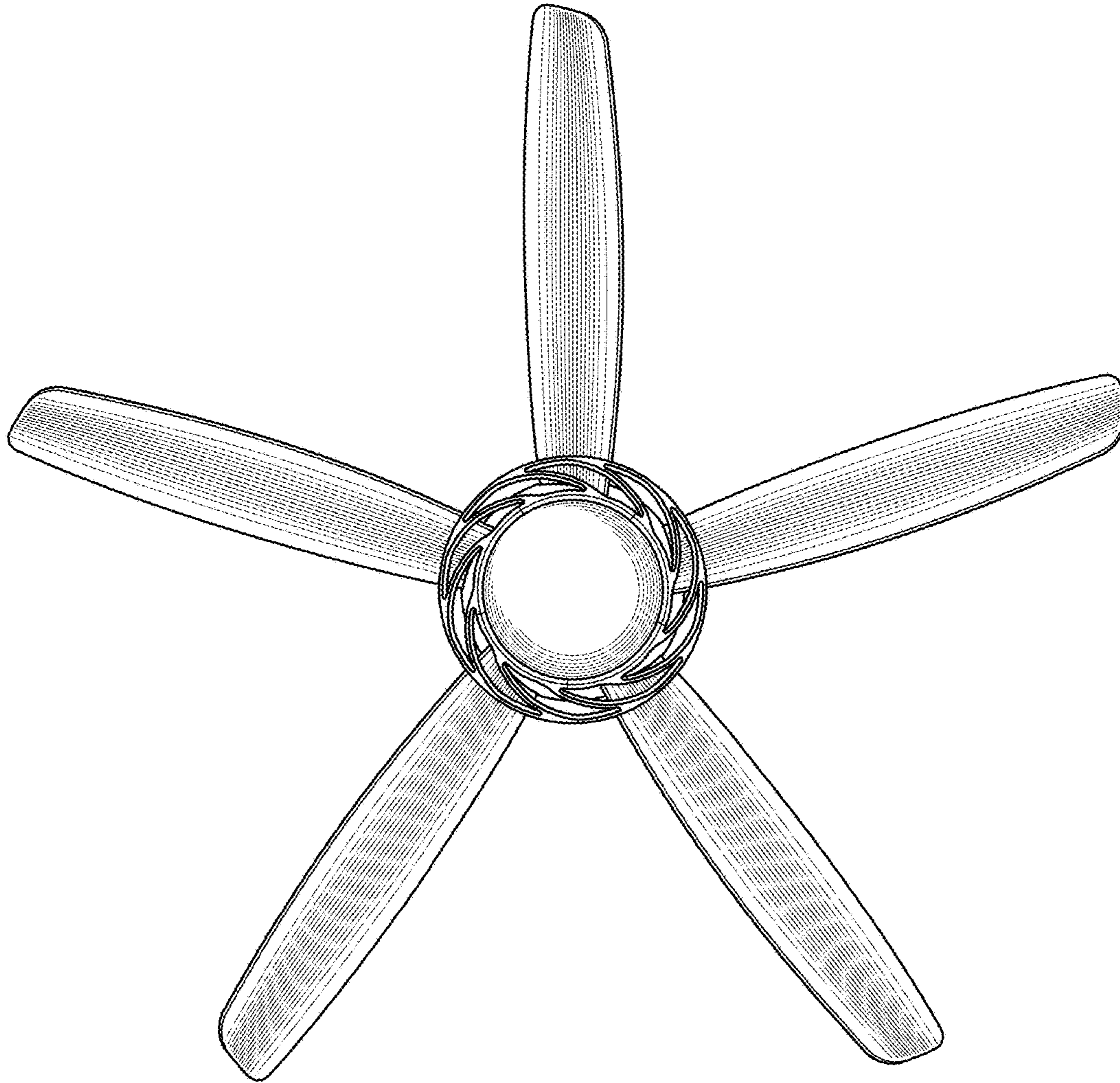


Fig.3

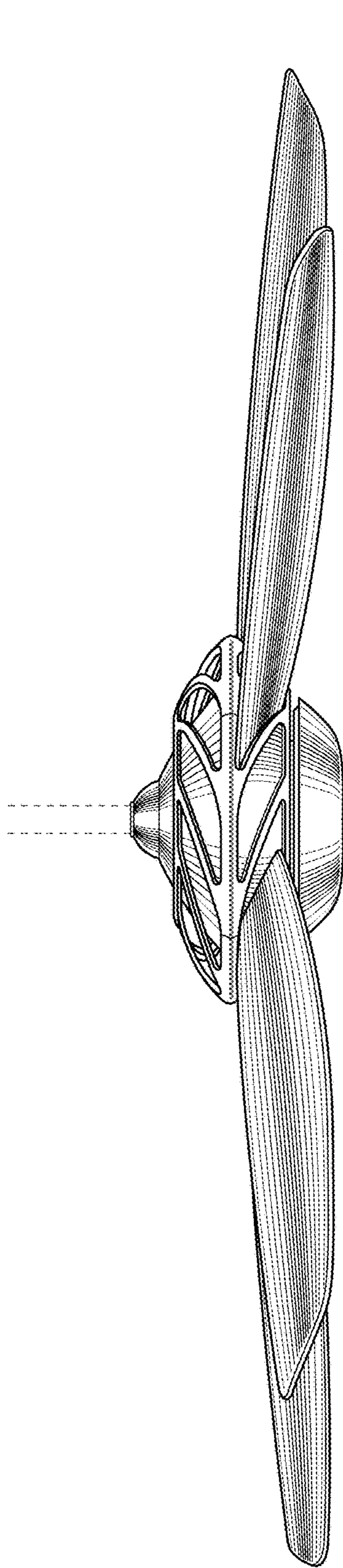


Fig. 4

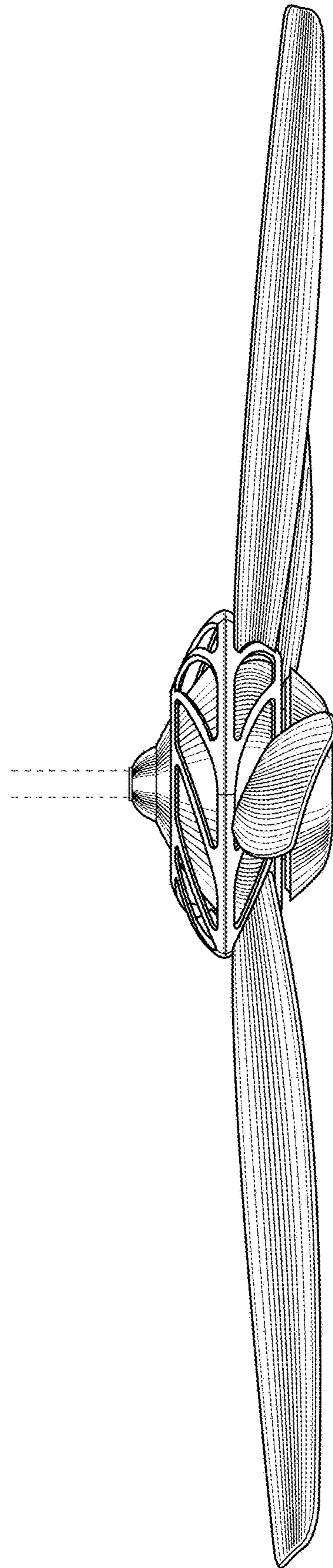


Fig. 5

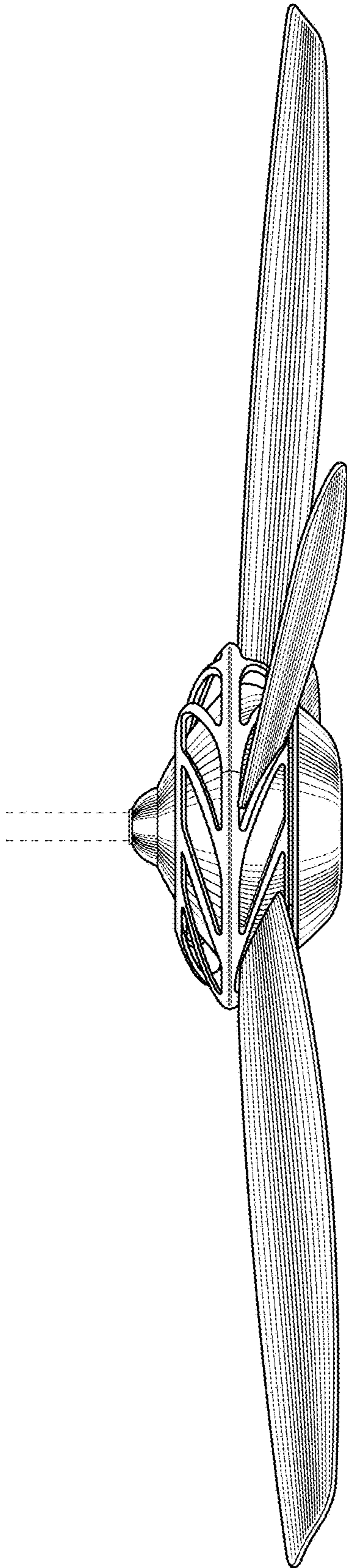


Fig. 6

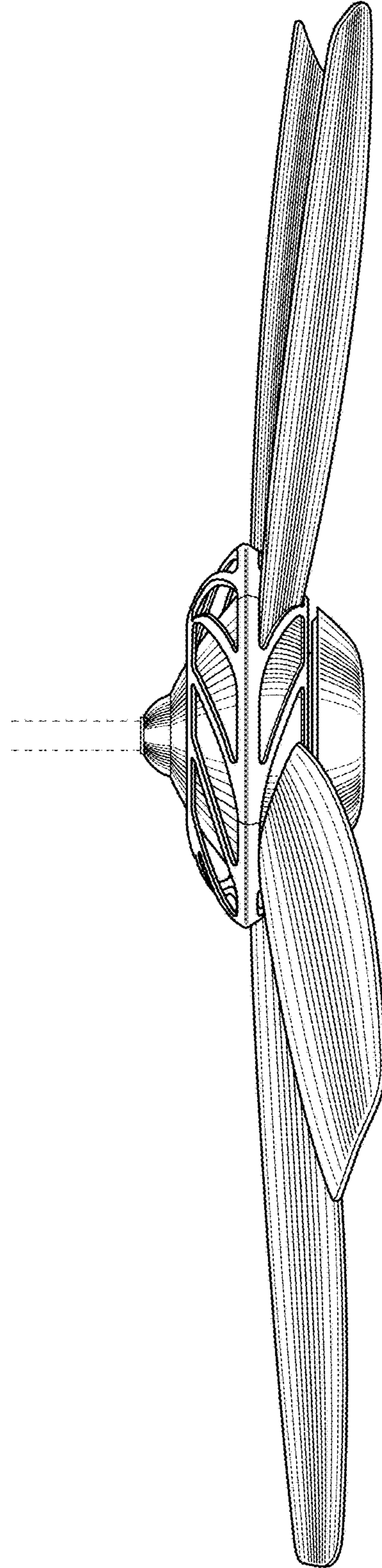


Fig. 7