



US00D834696S

(12) **United States Design Patent**  
**Schulzman**

(10) **Patent No.:** **US D834,696 S**

(45) **Date of Patent:** **\*\* Nov. 27, 2018**

(54) **COMBINATION CEILING FAN AND LIGHT  
FIXTURE**

(71) Applicant: **Minka Lighting, Inc.**, Corona, CA  
(US)

(72) Inventor: **Kurt Schulzman**, Long Beach, CA  
(US)

(73) Assignee: **Minka Lighting, Inc.**, Corona, CA  
(US)

(\*\*) Term: **15 Years**

(21) Appl. No.: **29/632,404**

(22) Filed: **Jan. 8, 2018**

**Related U.S. Application Data**

(63) Continuation-in-part of application No. 29/590,079,  
filed on Jan. 6, 2017.

(51) **LOC (11) Cl.** ..... **23-04**

(52) **U.S. Cl.**  
USPC ..... **D23/377**

(58) **Field of Classification Search**  
USPC ..... D23/370, 377, 379, 385, 411; D26/59  
CPC ..... F04D 25/088; F04D 25/06; F04D 29/00;  
F24F 7/00; F04B 17/00; H02K 11/001  
See application file for complete search history.

(56) **References Cited**

**U.S. PATENT DOCUMENTS**

D607,988 S \* 1/2010 Oleson ..... D23/377  
D663,829 S \* 7/2012 Allen ..... D23/377  
8,753,081 B2 \* 6/2014 Aynsley ..... F04D 25/088  
416/236 R  
D715,917 S \* 10/2014 Hidalgo ..... D23/377

D717,935 S \* 11/2014 Strecker ..... D23/377  
D778,422 S \* 2/2017 Gajewski ..... D23/377  
D785,155 S \* 4/2017 Wang ..... D23/377  
D788,283 S \* 5/2017 Busta ..... D23/377  
D795,412 S \* 8/2017 Schulzman ..... D23/377  
D799,665 S \* 10/2017 Wang ..... D23/377  
D799,668 S \* 10/2017 Wang ..... D23/377  
D801,515 S \* 10/2017 Wang ..... D23/411  
D802,114 S \* 11/2017 Busta ..... D23/377  
D814,622 S \* 4/2018 Gajewski ..... D23/377  
D817,472 S \* 5/2018 Schulzman ..... D23/377  
2009/0208333 A1 \* 8/2009 Smith ..... F04D 25/088  
416/5  
2010/0278637 A1 \* 11/2010 Oleson ..... F04D 25/088  
415/121.3

\* cited by examiner

*Primary Examiner* — Janice Hallmark

(74) *Attorney, Agent, or Firm* — Baker & McKenzie LLP

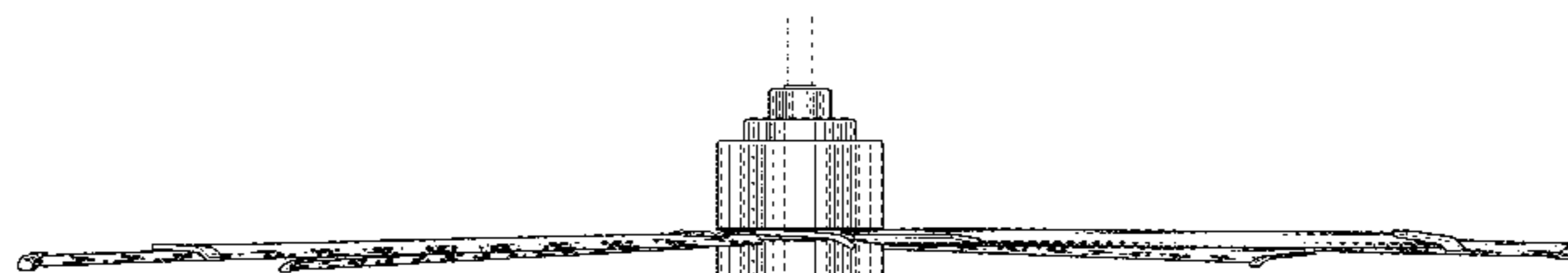
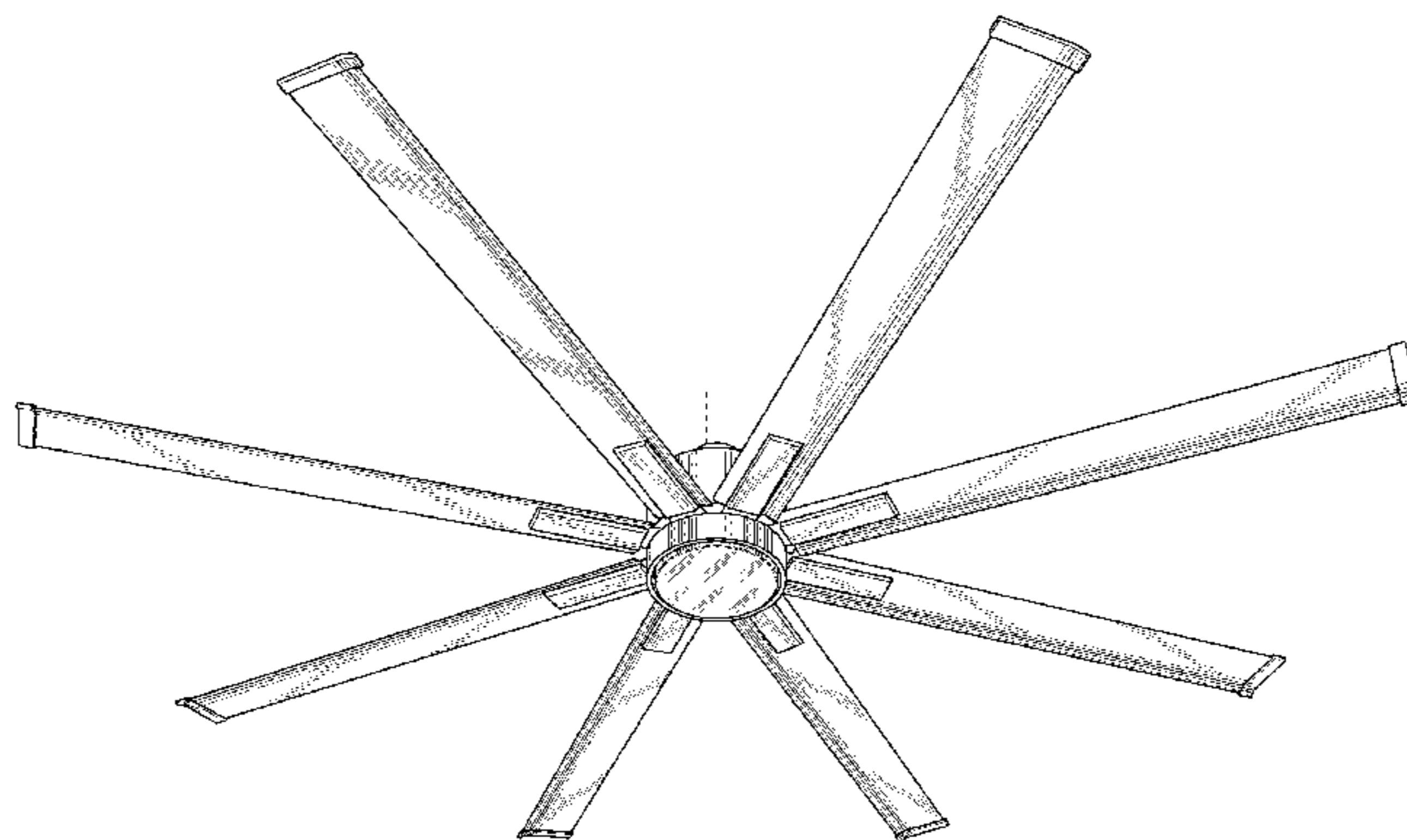
(57) **CLAIM**

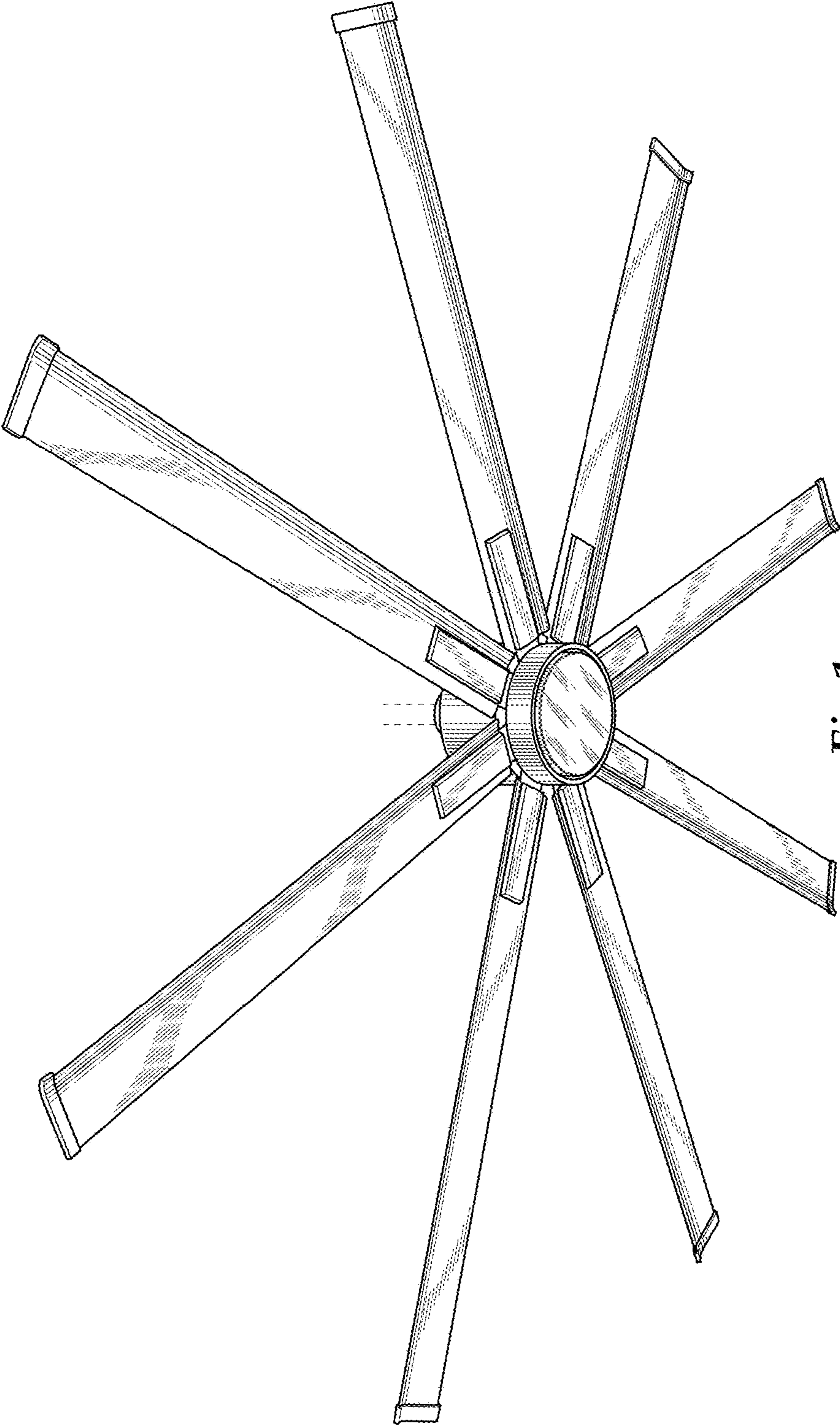
The ornamental design for a combination ceiling fan and  
light fixture, as shown and described.

**DESCRIPTION**

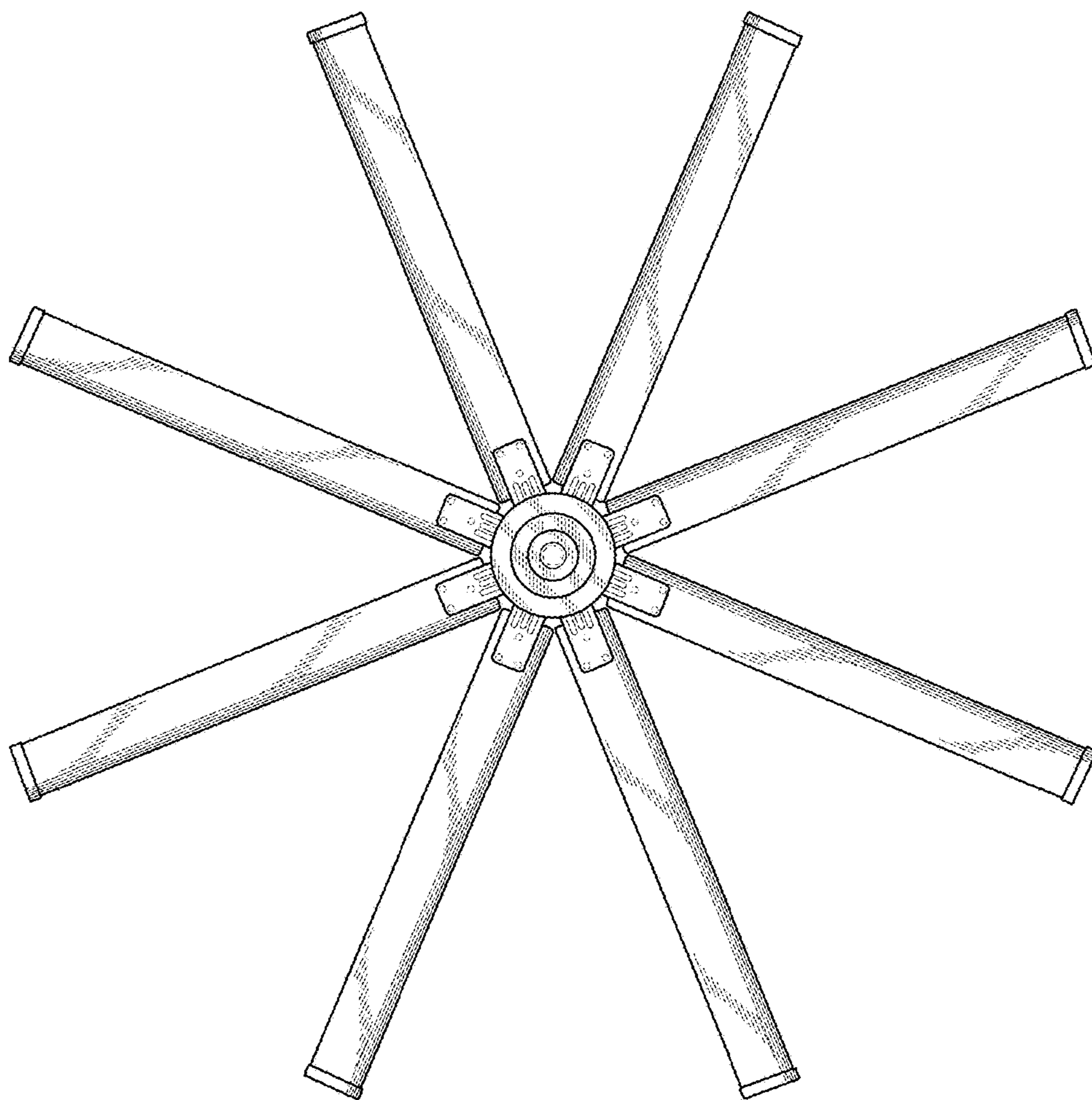
FIG. 1 is a perspective view of a combination ceiling fan and  
light fixture in accordance with my design;  
FIG. 2 is a top plan view thereof;  
FIG. 3 is a bottom plan view thereof;  
FIG. 4 is a left-side elevation view thereof, the opposite side  
being a mirror image of that shown; and,  
FIG. 5 is a front elevation view thereof, the opposite side  
being a mirror image of that shown.  
The broken lines in the drawings illustrate portions of the  
ceiling fan that form no part of the claimed design.

**1 Claim, 4 Drawing Sheets**

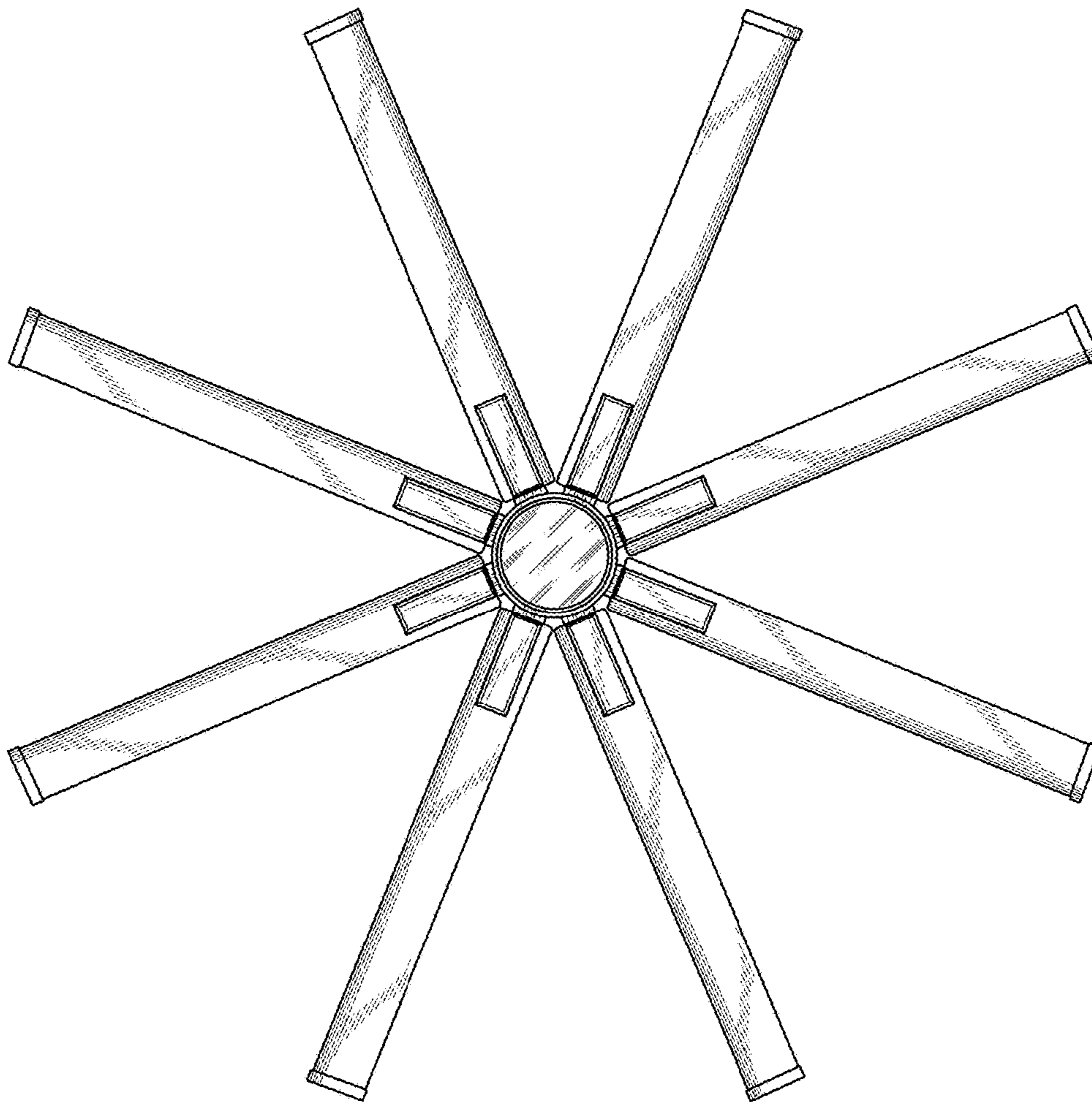




*Fig.1*



*Fig.2*



*Fig.3*

