



US00D834694S

(12) **United States Design Patent** (10) **Patent No.:** **US D834,694 S**
Walter et al. (45) **Date of Patent:** **** Nov. 27, 2018**

(54) **AROMATIC WAX MELTER WITH INTERNAL HEAT AND LIGHT SOURCE**

(71) Applicant: **Bootstrap Brands, Inc.**, Durham, NC (US)

(72) Inventors: **Rachel Walter**, Durham, NC (US);
Michael Laut, Raleigh, NC (US);
Steven Bockmann, Raleigh, NC (US);
Brian Himelright, Raleigh, NC (US)

(73) Assignee: **Bootstrap Brands, Inc.**, Durham, NC (US)

(**) Term: **15 Years**

(21) Appl. No.: **29/608,337**

(22) Filed: **Jun. 21, 2017**

(51) **LOC (11) Cl.** **23-04**

(52) **U.S. Cl.**
USPC **D23/366**

(58) **Field of Classification Search**
USPC D23/314, 325, 333–336, 355–367,
D23/386–388

CPC . A61L 9/03; A61L 9/012; A61L 9/015; A61L 9/037

See application file for complete search history.

(56) **References Cited**

U.S. PATENT DOCUMENTS

D364,677	S *	11/1995	Cheng	D23/366
6,354,710	B1	3/2002	Nacouzi		
7,315,691	B1 *	1/2008	Palkie	A45D 26/0014
					222/146.5
D583,452	S *	12/2008	Aloe	D23/366
8,201,957	B2	6/2012	Hsiao		
8,772,675	B2	7/2014	Juarez		
D716,427	S *	10/2014	Lim	D23/364
8,901,461	B1 *	12/2014	Shotey	A61F 7/0085
					219/249

9,125,396	B1 *	9/2015	Ripka	A61L 9/04
D752,732	S *	3/2016	Ansley	D23/366
D788,897	S *	6/2017	Lee	D23/356
D804,002	S *	11/2017	Huang	D23/364
D806,843	S *	1/2018	McDonnell	D23/355
D810,265	S *	2/2018	Chen	D23/366
2010/0270943	A1	10/2010	Cook		

OTHER PUBLICATIONS

Happy Wax Melt Warmer found online [Mar. 13, 2018]—<https://happywax.com/collections/wax-warmers/products/happywax-signature-scented-wax-warmer-grey-linen-pattern>.*

* cited by examiner

Primary Examiner — Brandon M Rosati

Assistant Examiner — John A Voytek

(74) *Attorney, Agent, or Firm* — Myers Bigel, P.A.

(57) **CLAIM**

The ornamental design for an aromatic wax melter with internal heat and light source, as shown and described.

DESCRIPTION

FIG. 1 is a top, side perspective view of an aromatic wax melter with internal heat and light source showing our design;

FIG. 2 is a first side view thereof;

FIG. 3 is a second and opposing side view thereof;

FIG. 4 is a third side view thereof;

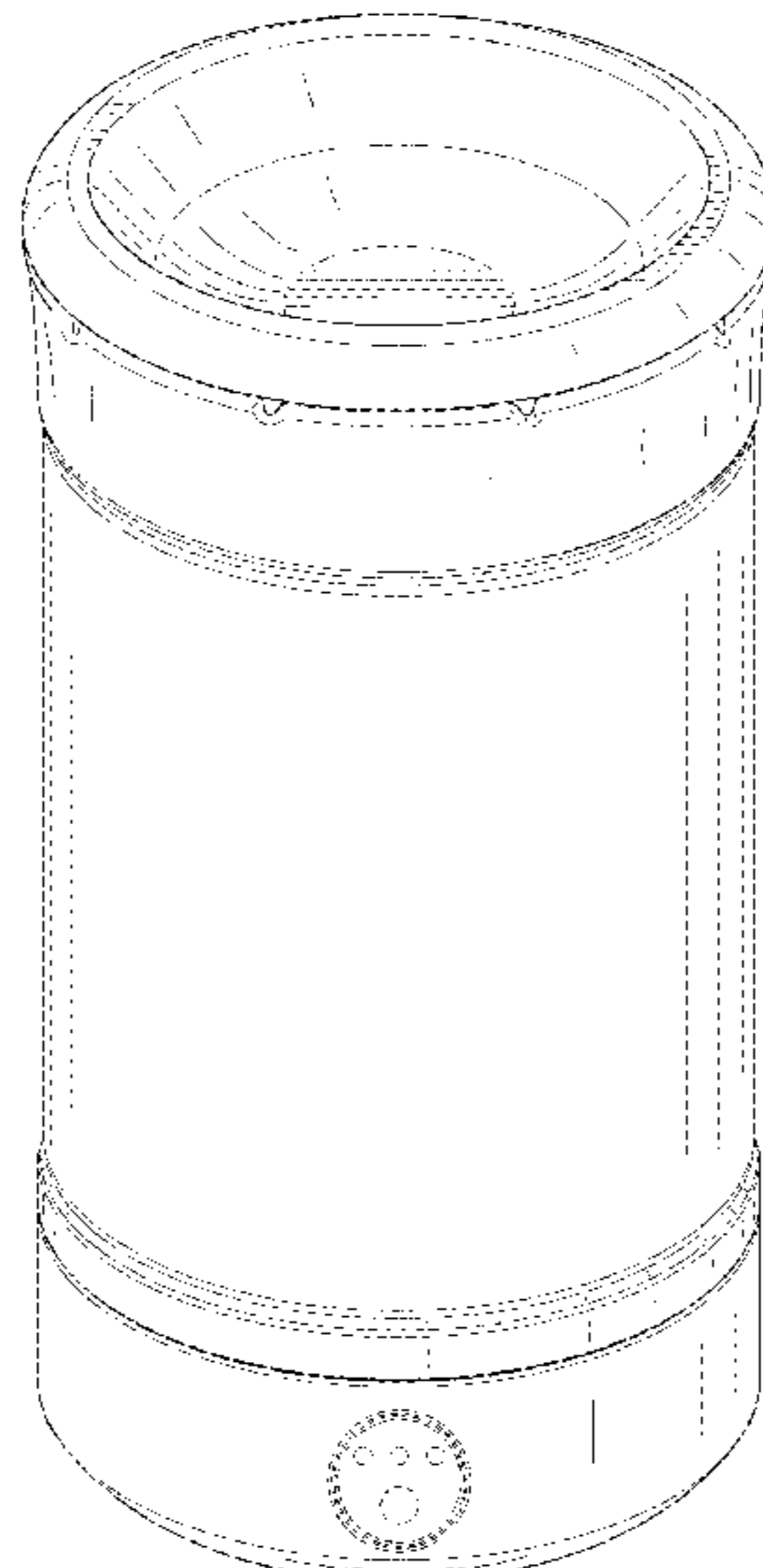
FIG. 5 is a fourth and opposing side view thereof;

FIG. 6 is a top view thereof; and,

FIG. 7 is a bottom view thereof.

The broken lines shown herein are for unclaimed features in a bottom portion of FIGS. 1-5 and in a center portion of FIG. 7 and are for illustrative purposes only and form no part of the claimed design.

1 Claim, 6 Drawing Sheets



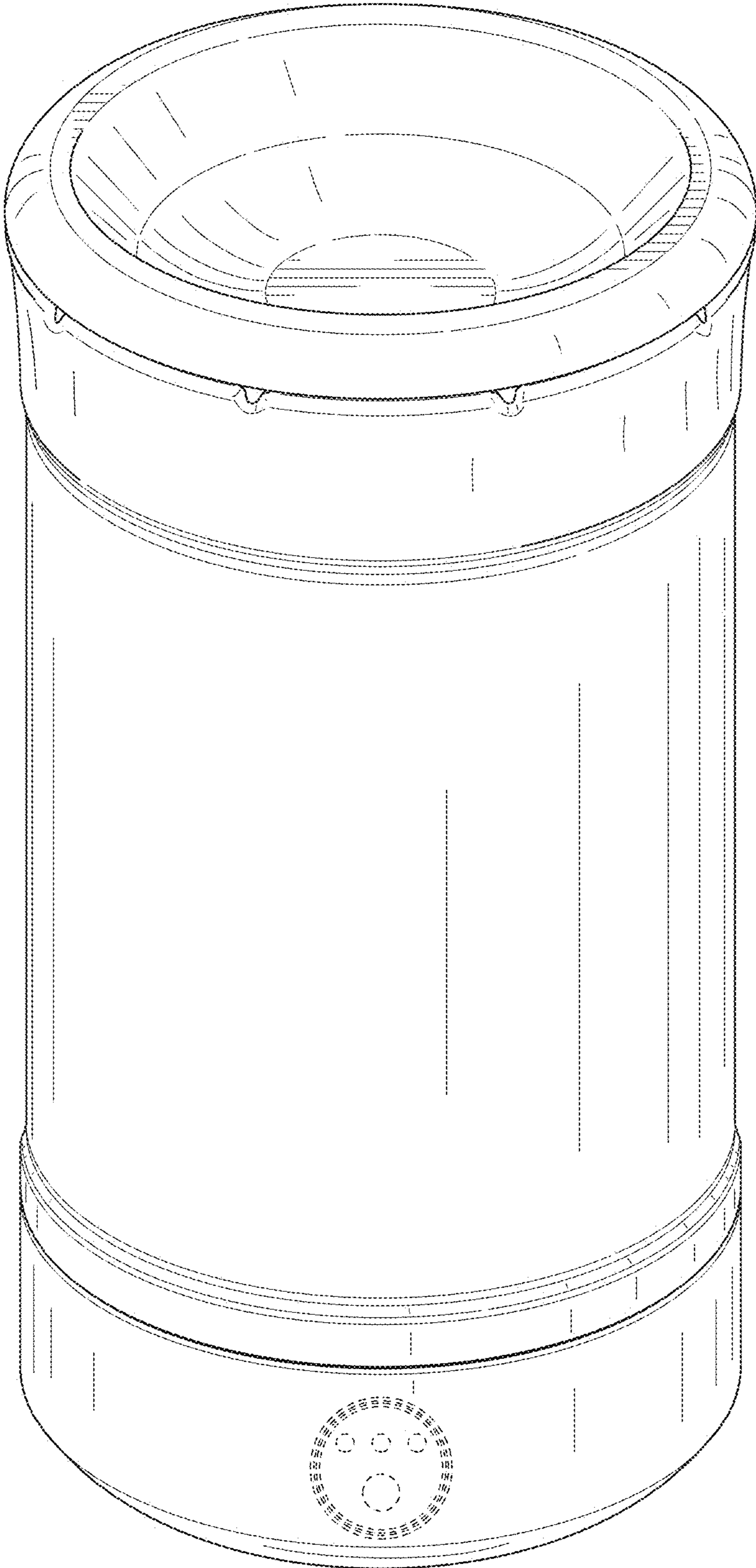


FIG. 1

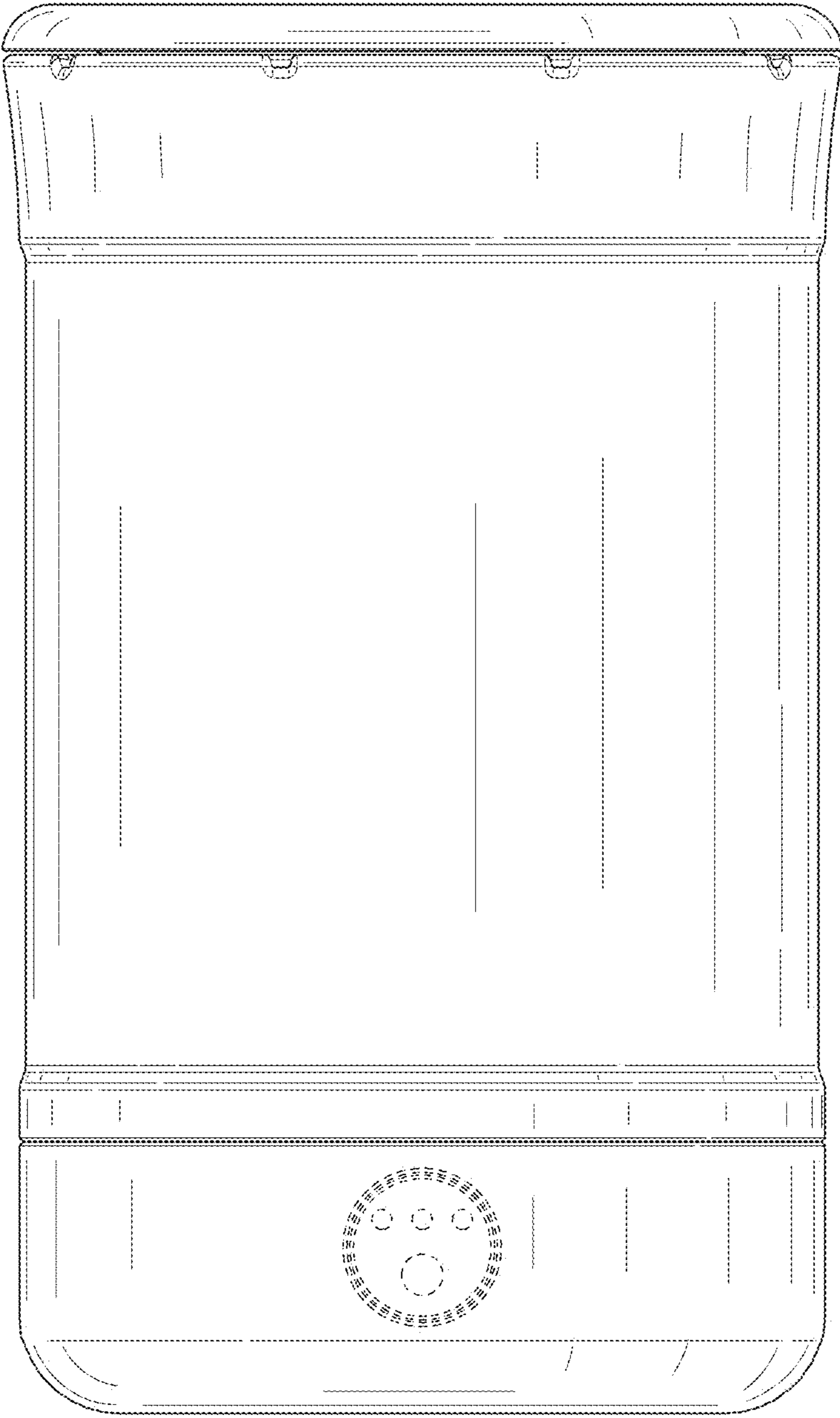


FIG. 2

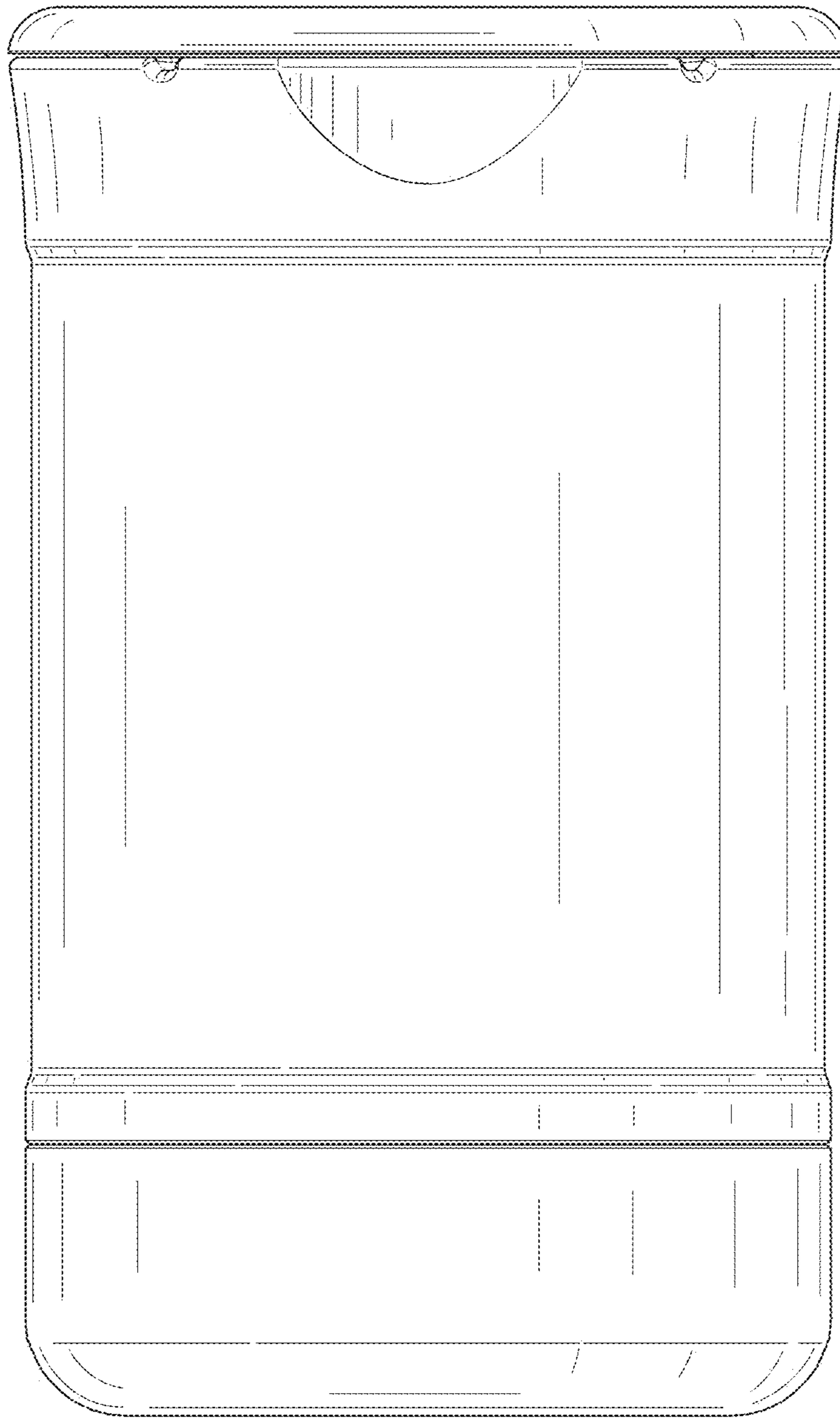


FIG. 3

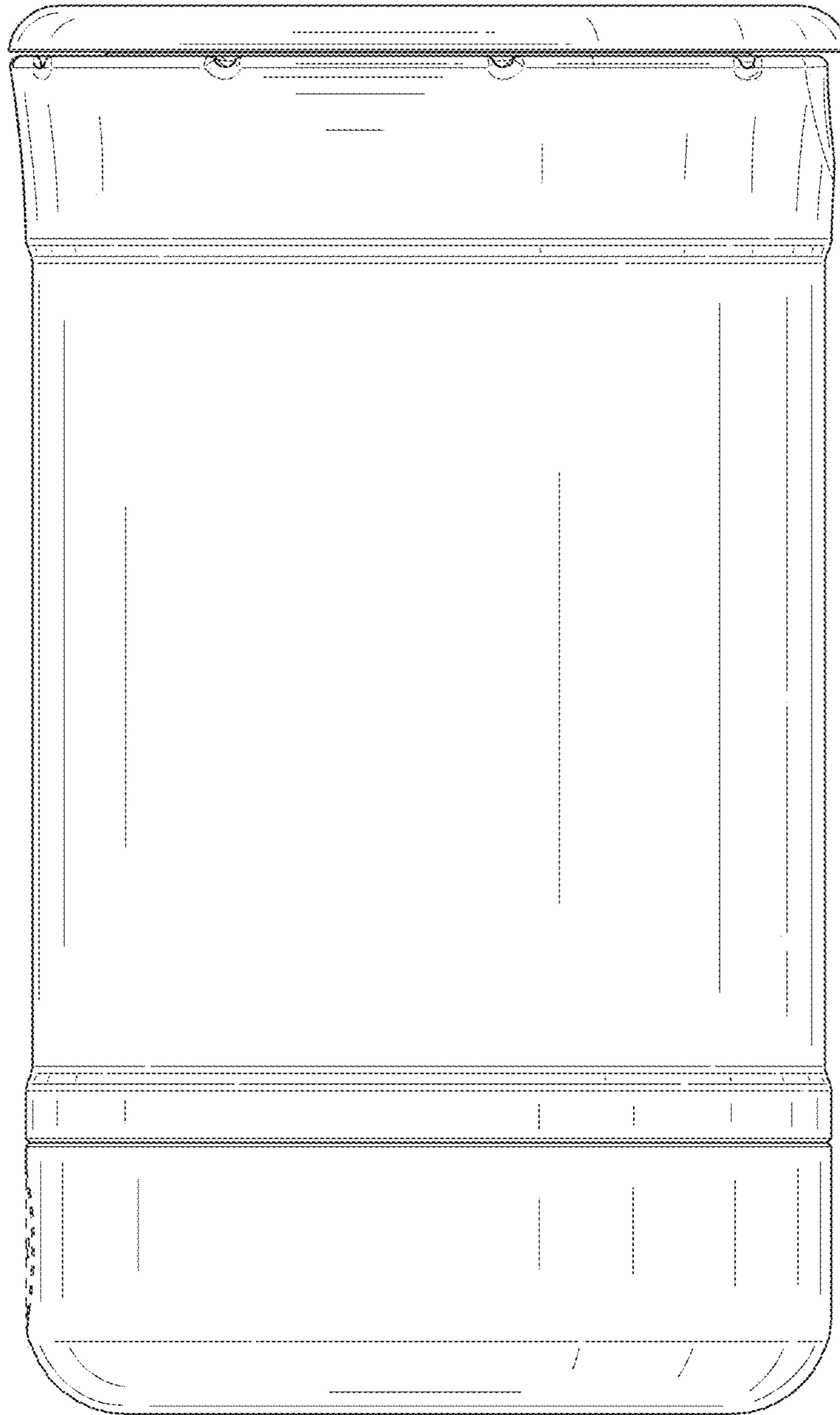


FIG. 4

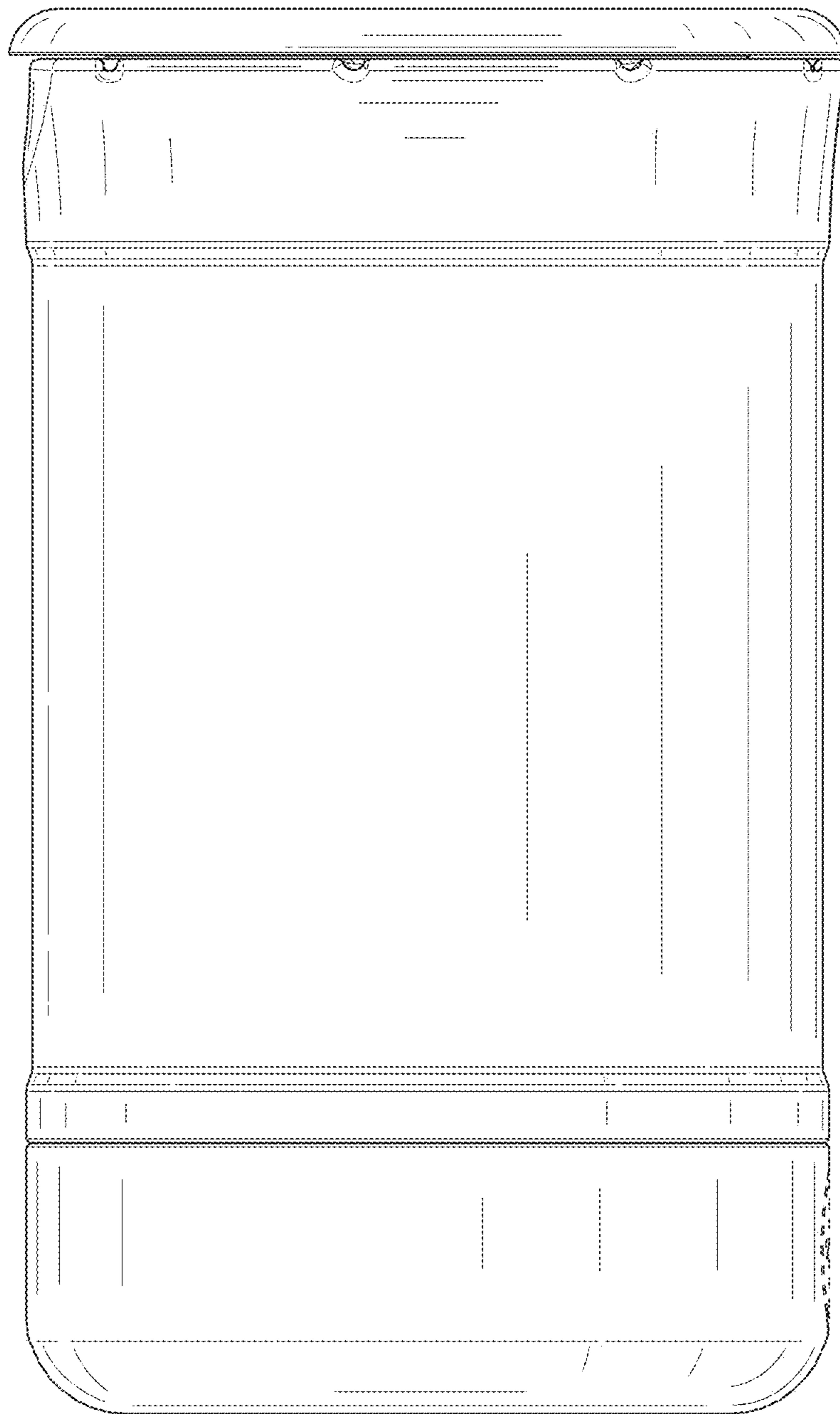


FIG. 5

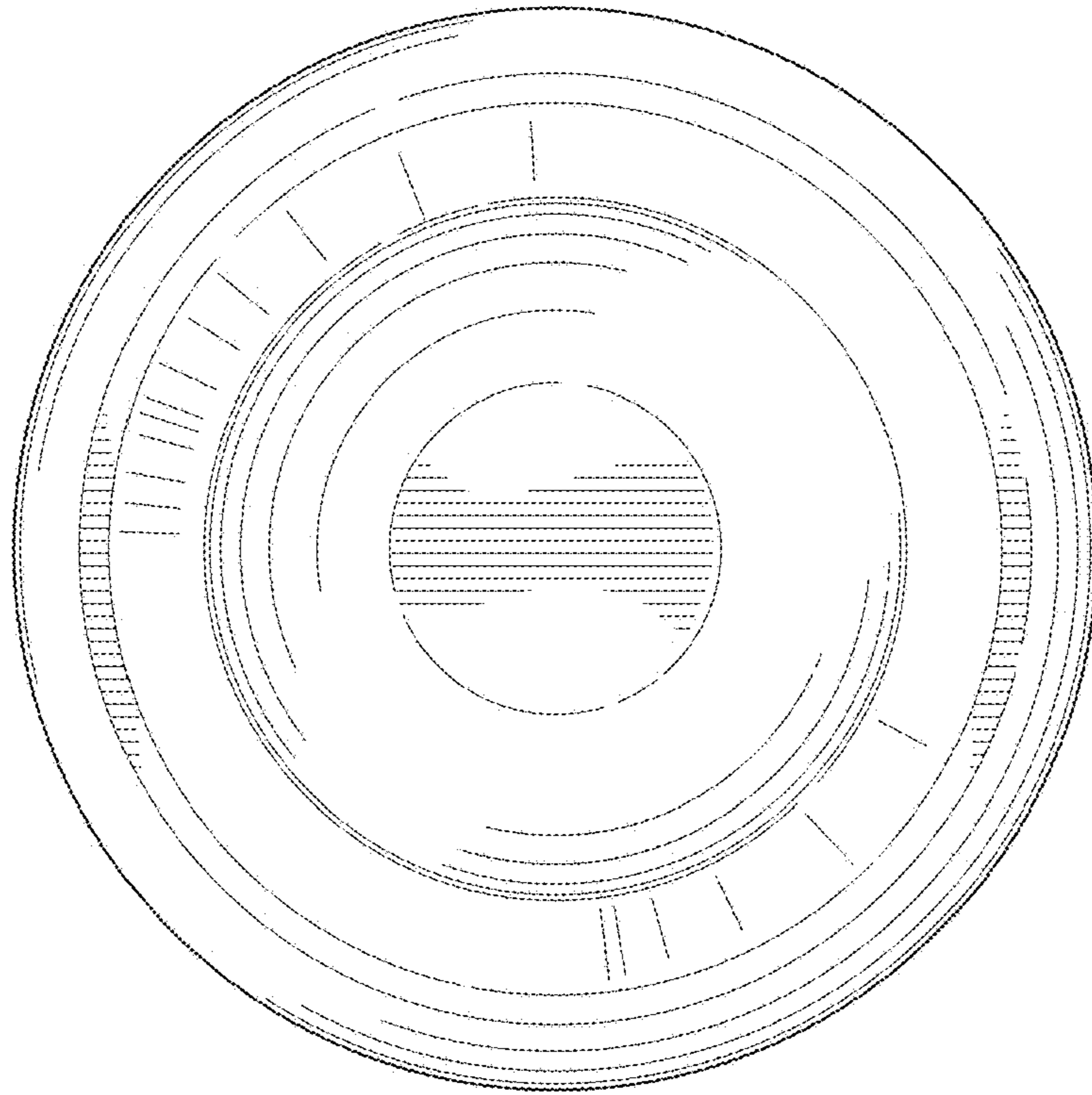


FIG. 6

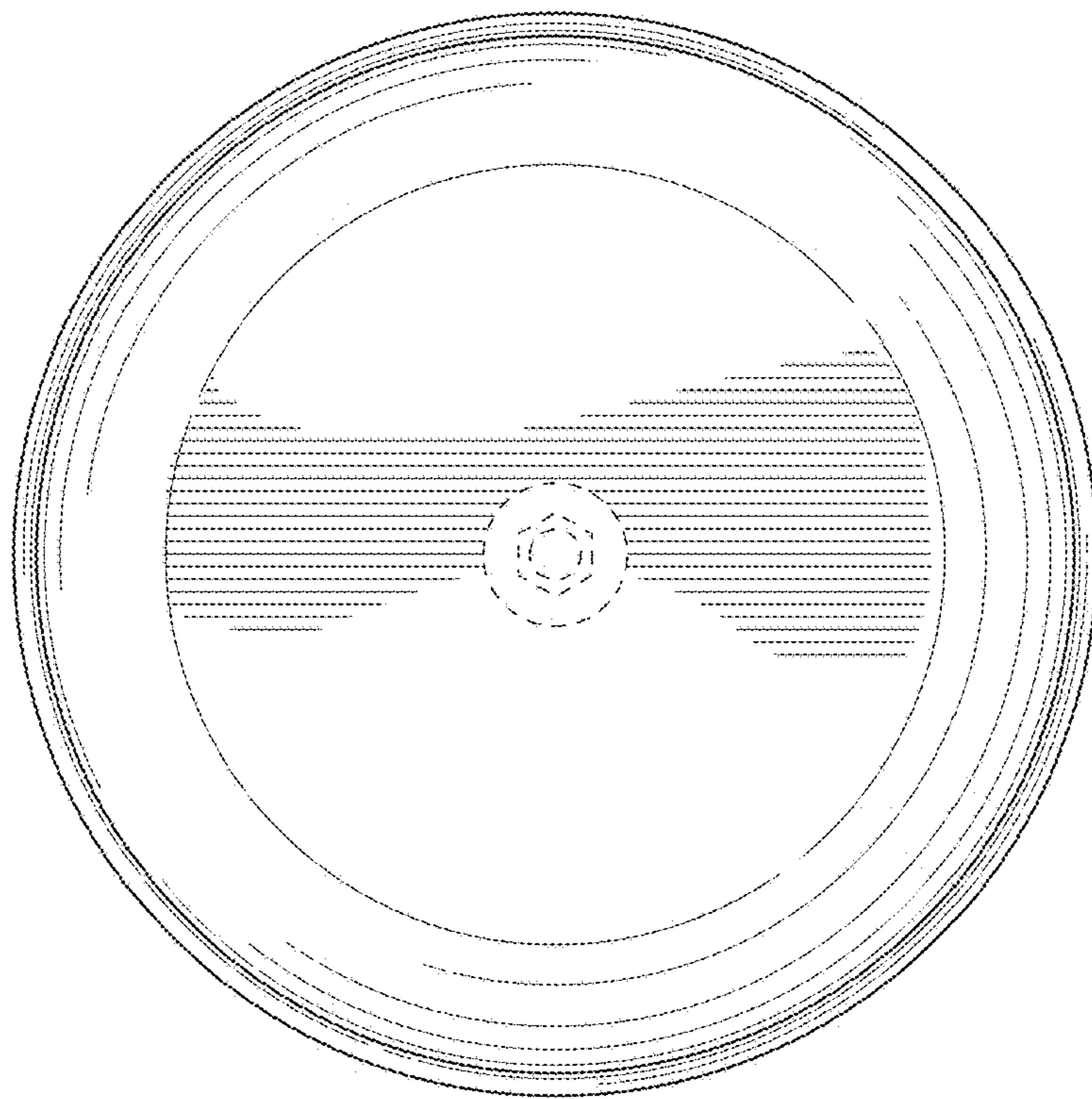


FIG. 7