



US00D834693S

(12) **United States Design Patent** (10) **Patent No.:** **US D834,693 S**  
**Robinson et al.** (45) **Date of Patent:** **\*\* Nov. 27, 2018**

(54) **FRAGRANCE DISPENSER**  
(71) Applicant: **Rimports Inc.**, Provo, UT (US)  
(72) Inventors: **Joe Robinson**, Lehi, UT (US); **Alan K. Farrell**, Salt Lake City, UT (US)  
(73) Assignee: **Rimports, LLC**, Provo, UT (US)  
(\*\*) Term: **15 Years**  
(21) Appl. No.: **29/600,625**  
(22) Filed: **Apr. 13, 2017**  
(51) **LOC (11) Cl.** ..... **28-99**  
(52) **U.S. Cl.**  
USPC ..... **D23/366**  
(58) **Field of Classification Search**  
USPC ..... D23/355-370, 386-388; D11/11, 86, 87,  
D11/101, 181, 208, 212, 228; D8/356,  
D8/396; D2/853, 935, 946  
CPC ... A61L 9/03; A61L 9/12; A61F 9/026; B01D  
46/0004; G09F 7/22; G09F 19/08  
See application file for complete search history.

D729,924 S \* 5/2015 Hsiao ..... D23/366  
D732,654 S \* 6/2015 Hsiao ..... D23/366  
D763,430 S \* 8/2016 Shin ..... D23/368  
D776,800 S \* 1/2017 King ..... D23/366  
D797,270 S \* 9/2017 McDonnell ..... D23/356

\* cited by examiner

*Primary Examiner* — Brandon M Rosati  
*Assistant Examiner* — John A Voytek  
(74) *Attorney, Agent, or Firm* — Durham Jones & Pinegar, P.C., Intellectual Property Law Group

(57) **CLAIM**

The ornamental design for a fragrance dispenser, as shown and described.

**DESCRIPTION**

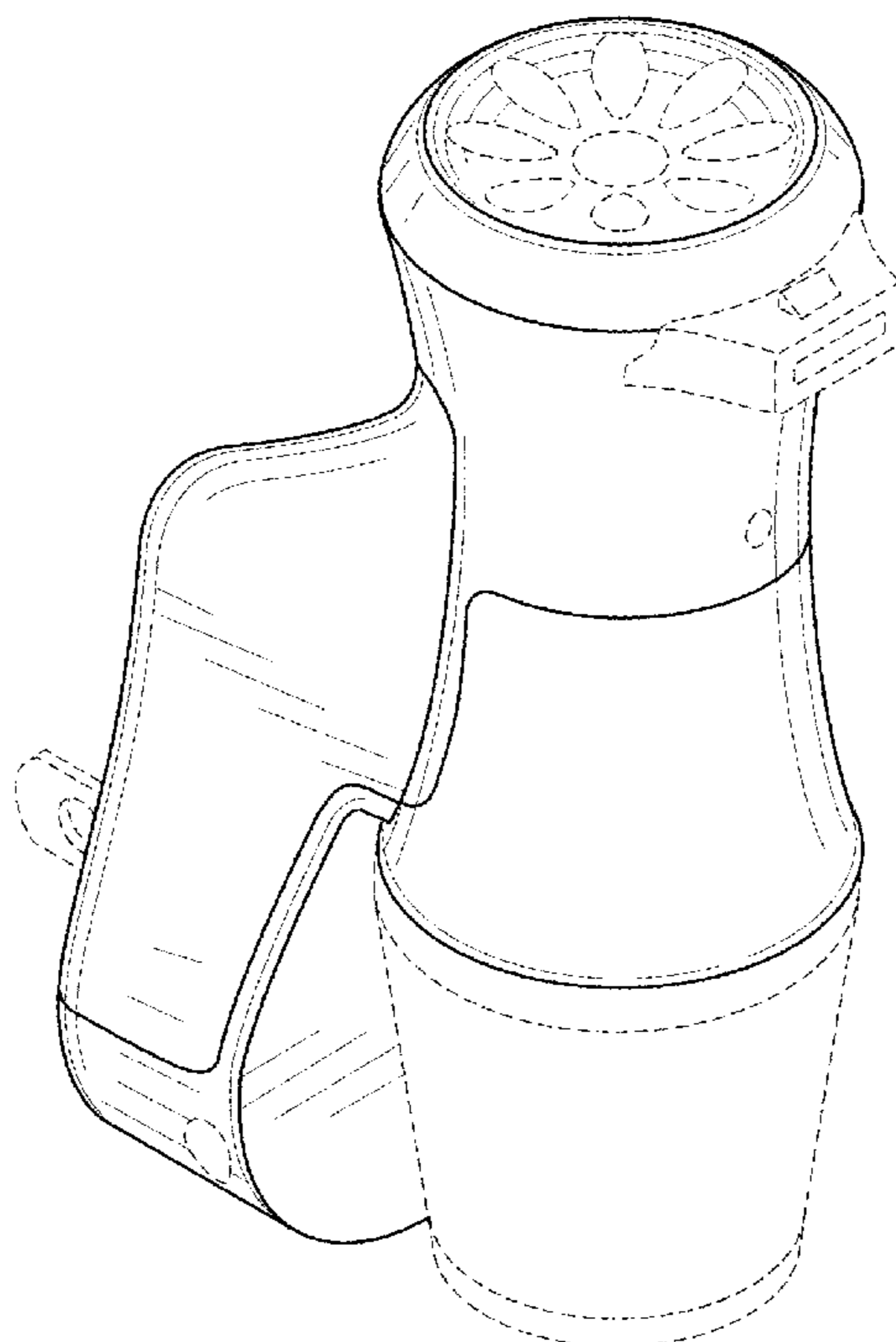
FIG. 1 is a perspective view of a fragrance dispenser;  
FIG. 2 is a front view of the fragrance dispenser shown in FIG. 1;  
FIG. 3 is a rear view of the fragrance dispenser shown in FIG. 1;  
FIG. 4 is a right side view of the fragrance dispenser shown in FIG. 1;  
FIG. 5 is a left side view of the fragrance dispenser shown in FIG. 1;  
FIG. 6 is a bottom view of the fragrance dispenser shown in FIG. 1; and,  
FIG. 7 is a top view of the fragrance dispenser shown in FIG. 1.  
The broken lines in the drawings represent unclaimed environmental subject matter and form no part of the claim.

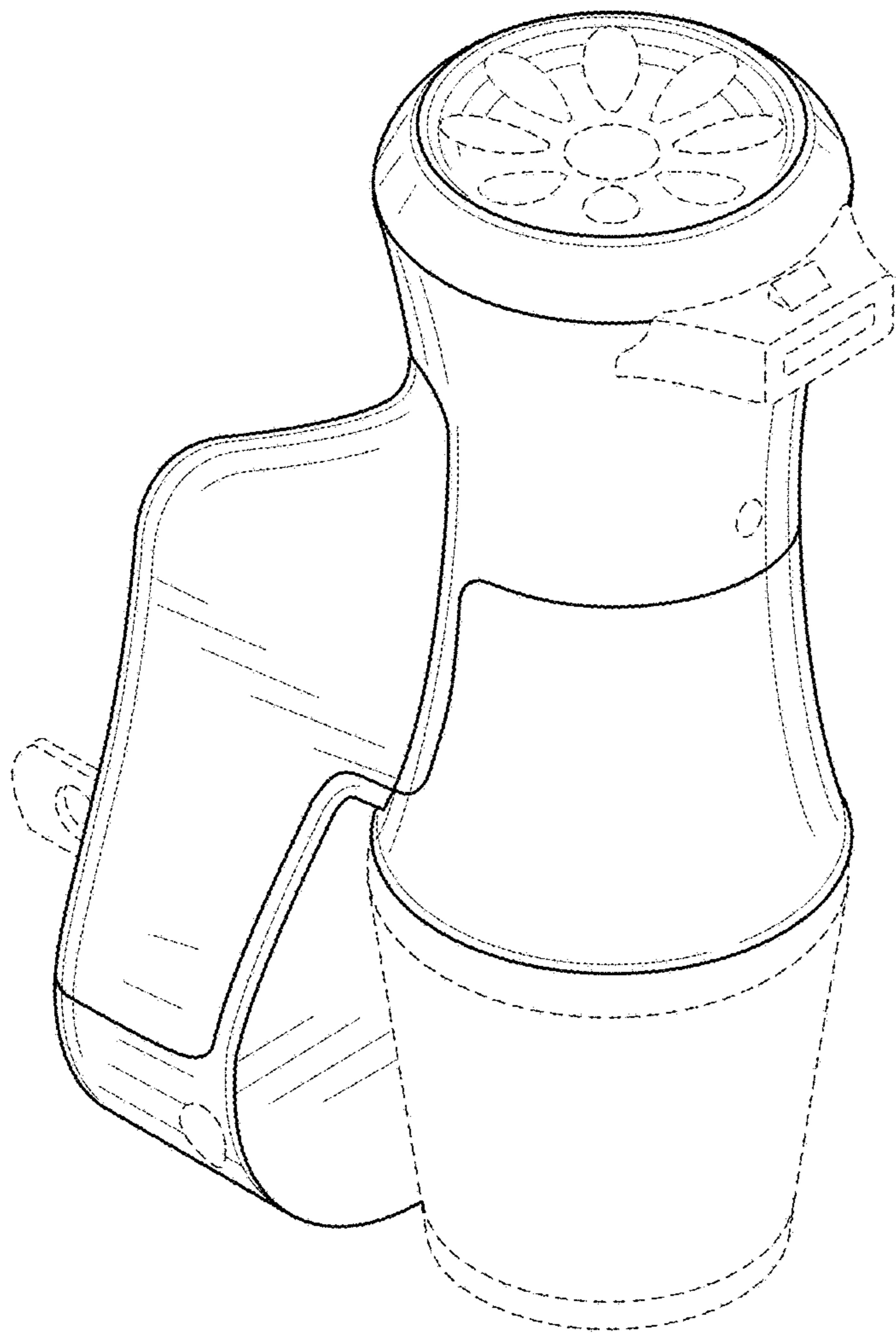
**1 Claim, 5 Drawing Sheets**

(56) **References Cited**

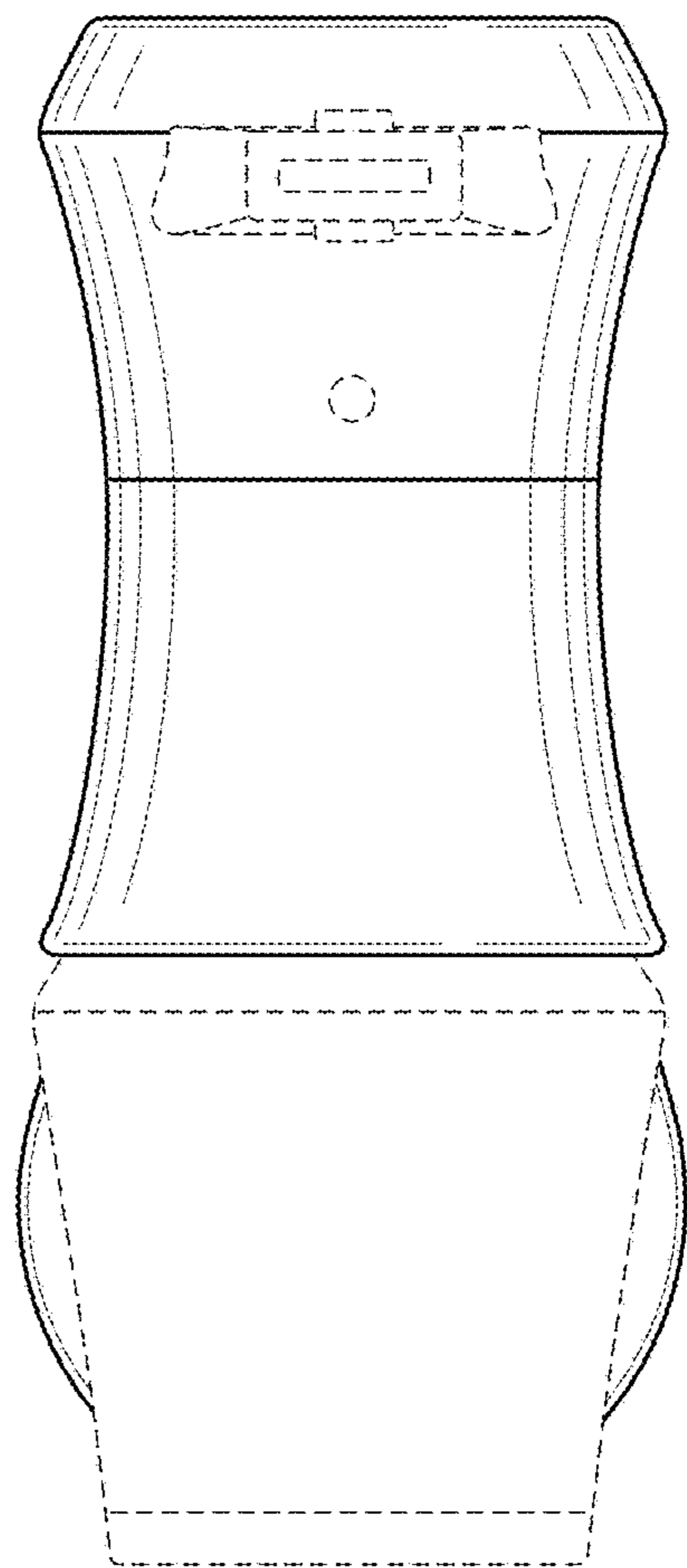
U.S. PATENT DOCUMENTS

D465,019 S \* 10/2002 Wu ..... D23/366  
D489,123 S \* 4/2004 Basaganas Millan ..... D23/366  
D507,636 S \* 7/2005 Baraky ..... D23/366  
D522,119 S \* 5/2006 Baraky ..... D23/366  
D544,592 S \* 6/2007 Caserta ..... D23/366  
D647,608 S \* 10/2011 Young ..... D23/366  
D681,182 S \* 4/2013 Tomas Vilarasa ..... D23/366  
D686,721 S \* 7/2013 Wirz ..... D23/366

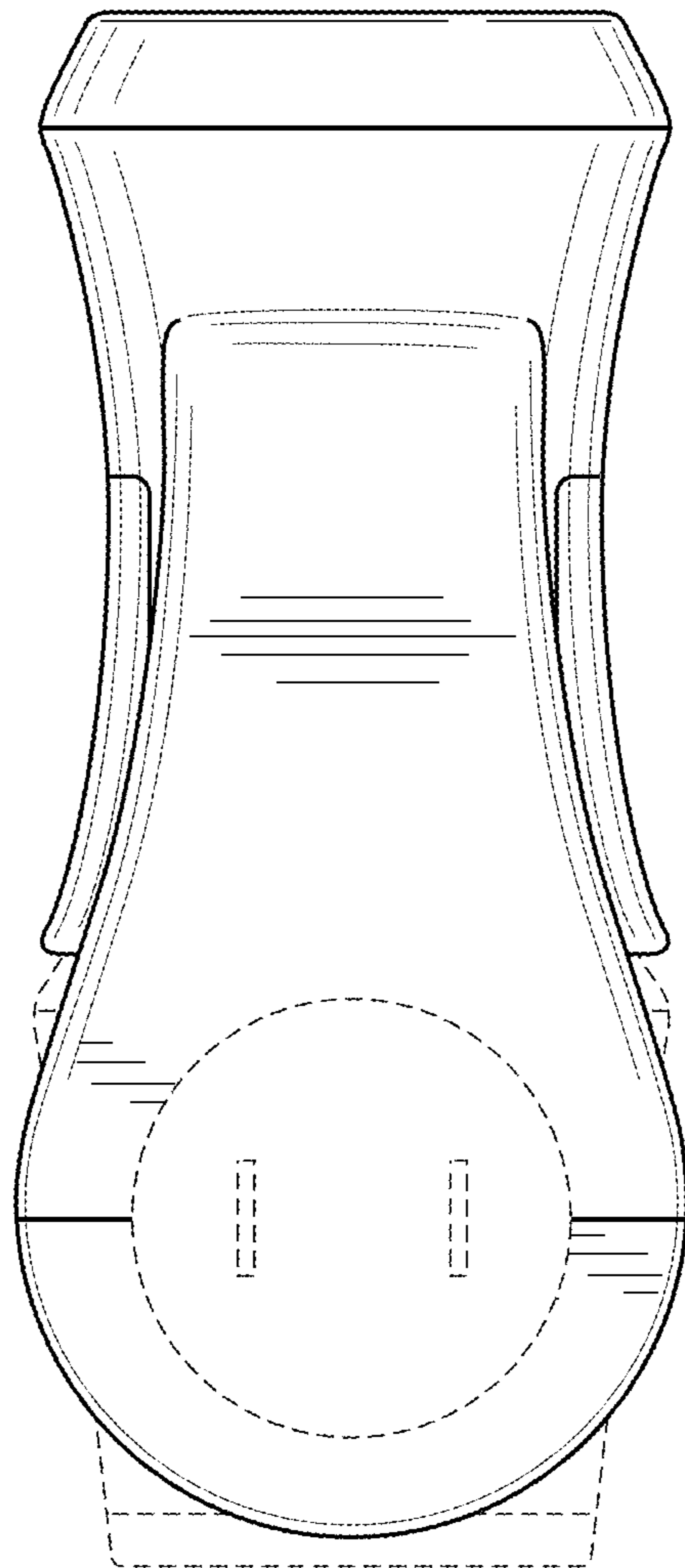




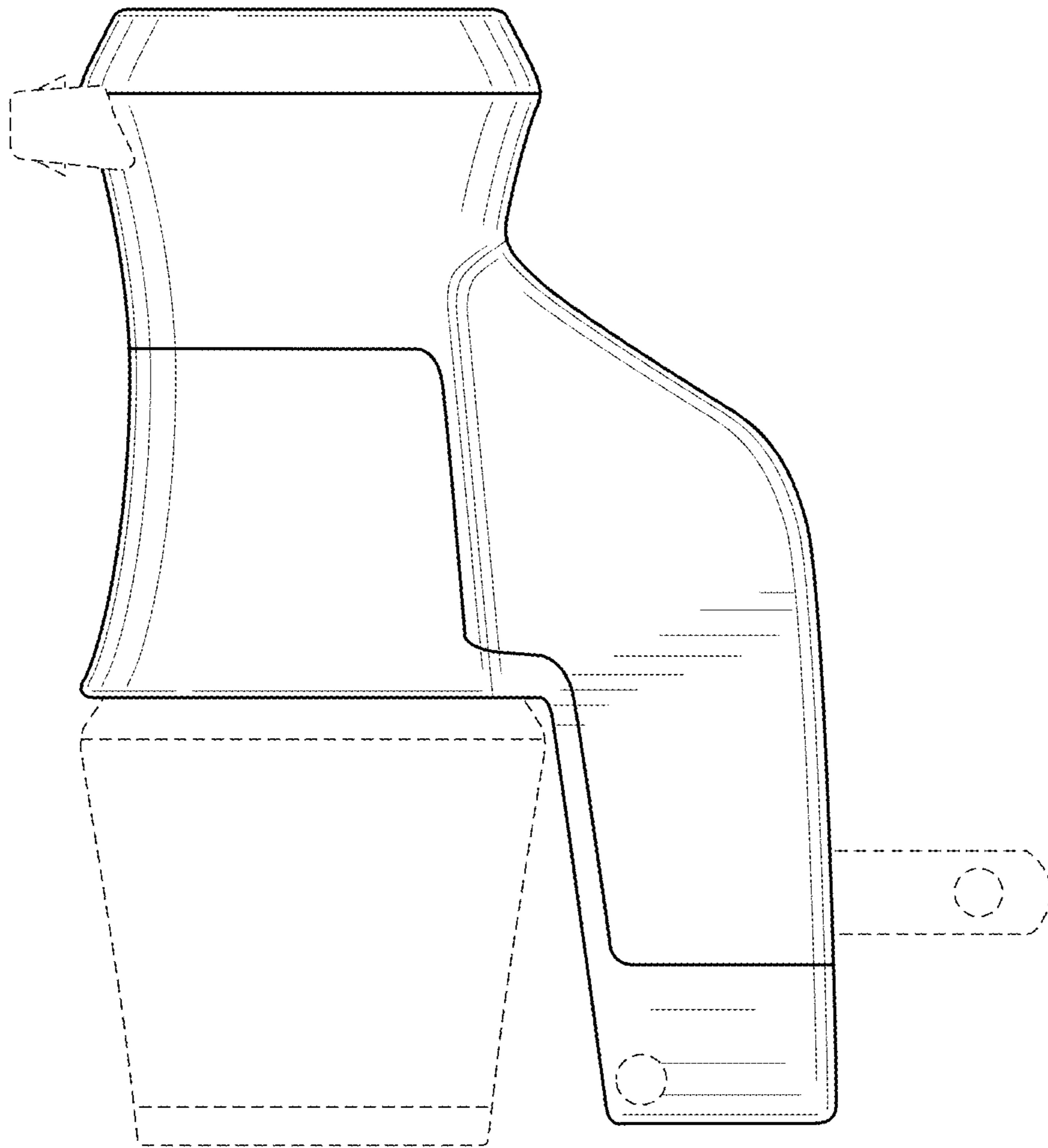
**FIG. 1**



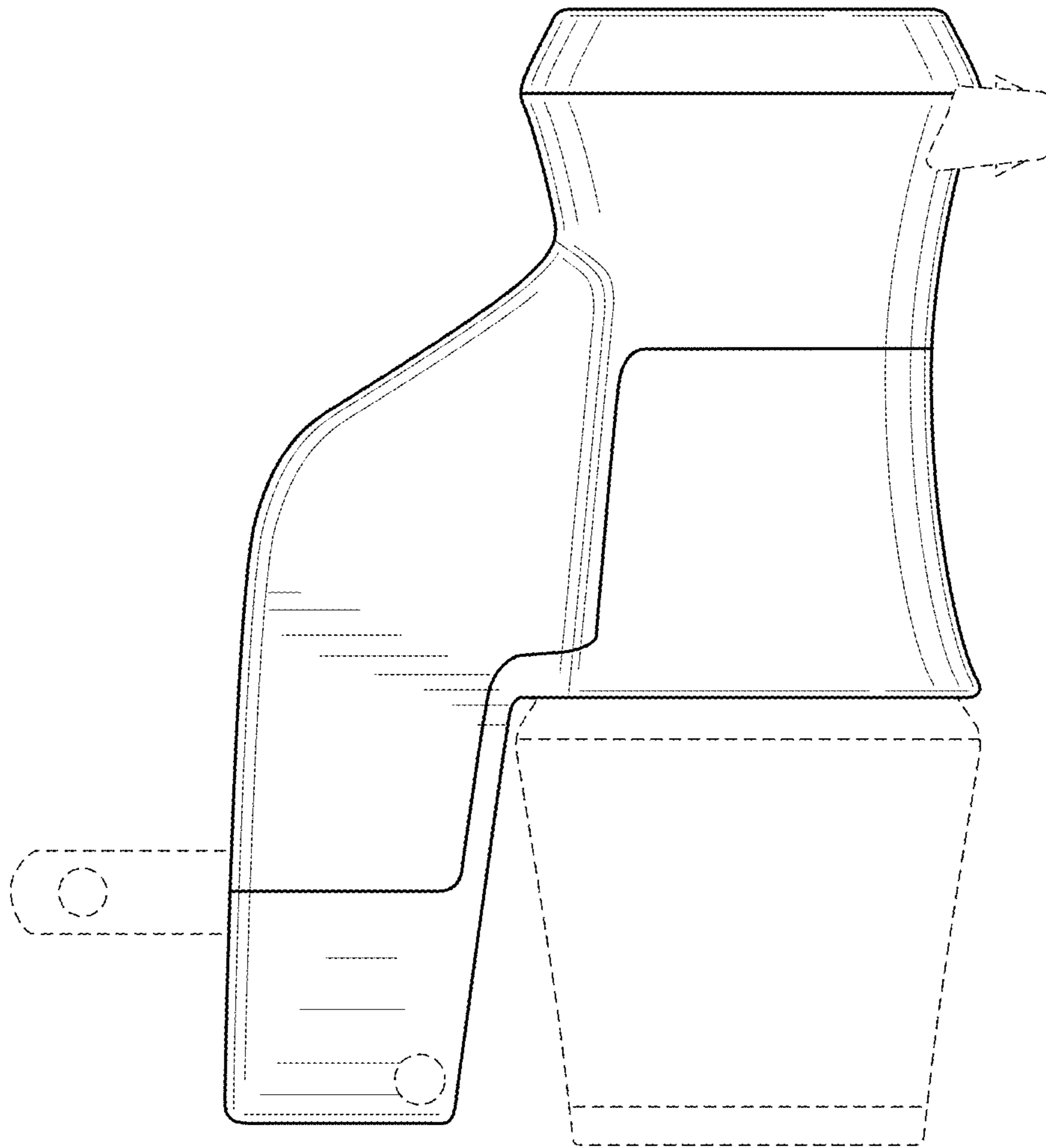
**FIG. 2**



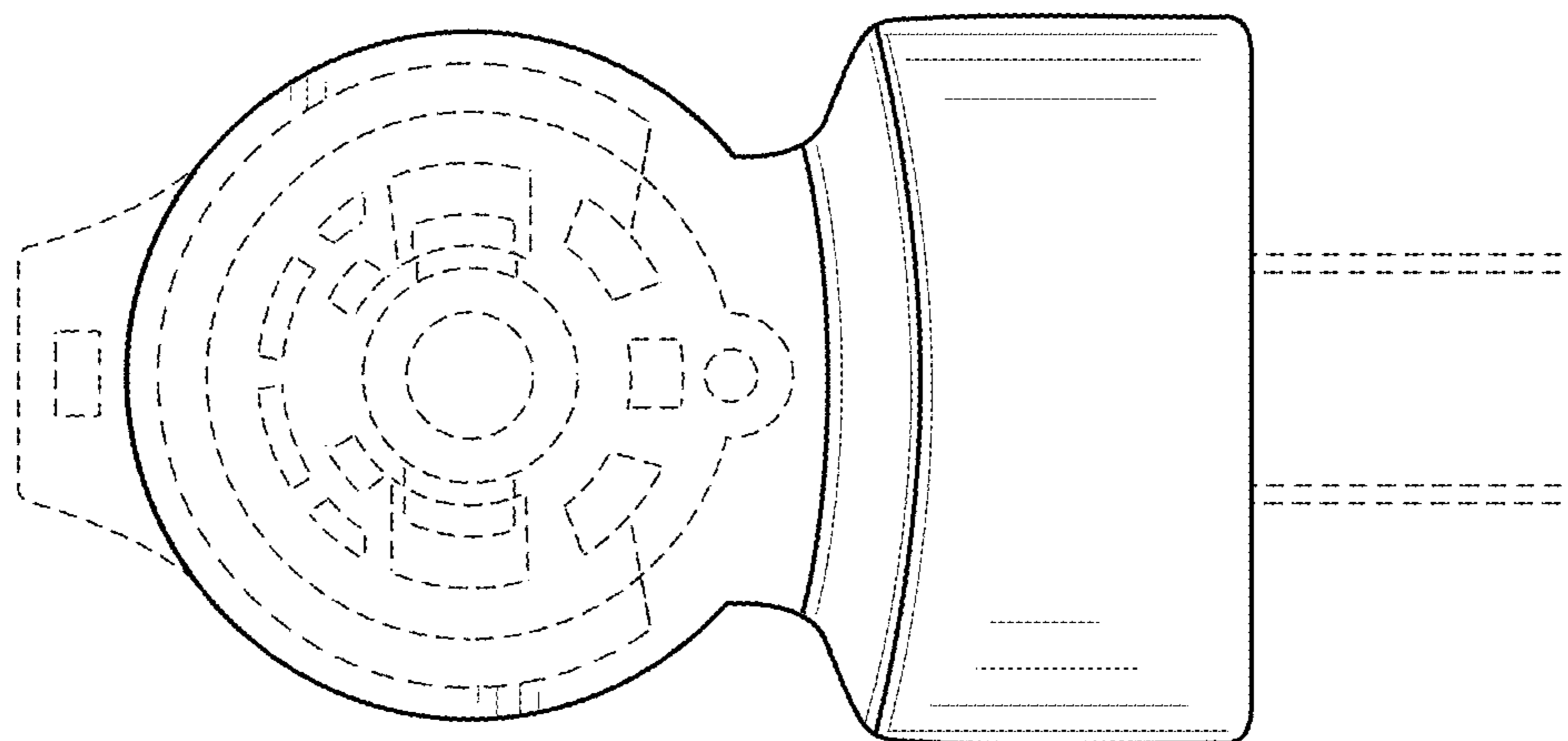
**FIG. 3**



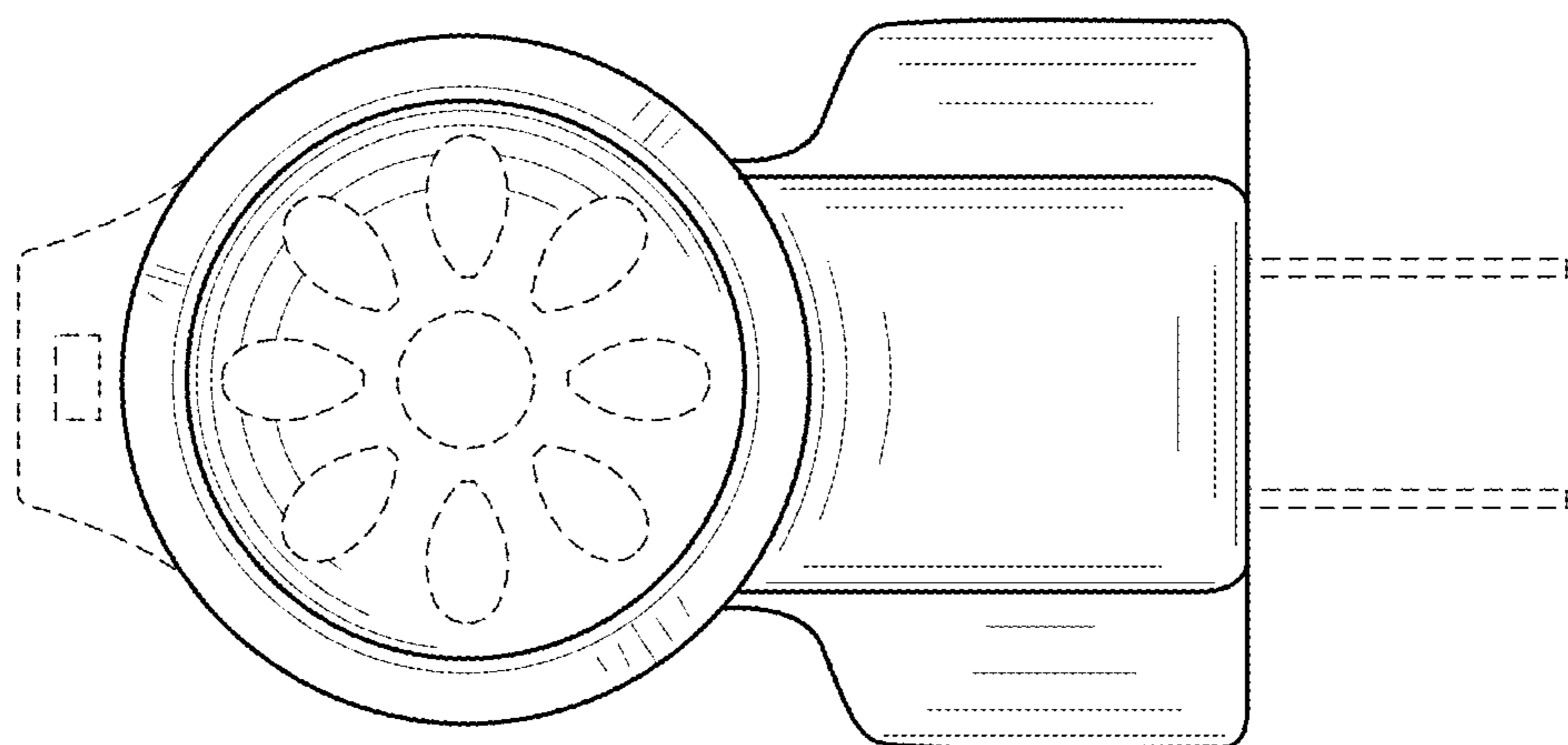
**FIG. 4**



**FIG. 5**



**FIG. 6**



**FIG. 7**