



US00D834692S

(12) **United States Design Patent**
Costamagna

(10) **Patent No.:** **US D834,692 S**

(45) **Date of Patent:** **** Nov. 27, 2018**

(54) **HOT AIR GENERATOR AND
CORRESPONDING SUPPORT AND AIR
DIFFUSER**

(71) Applicant: **BIEMMEDUE S.p.A.**, Cherasco (IT)

(72) Inventor: **Marco Costamagna**, Cherasco (IT)

(73) Assignee: **BIEMMEDUE S.P.A.**, Cherasco (IT)

(**) Term: **15 Years**

(21) Appl. No.: **29/536,234**

(22) Filed: **Aug. 14, 2015**

(51) **LOC (11) Cl.** **23-03**

(52) **U.S. Cl.**
USPC **D23/317**

(58) **Field of Classification Search**
USPC D23/314, 317, 329, 332, 334, 335, 336,
D23/338, 339, 340, 341
CPC F24H 3/0488; F24H 3/0417; F24H 9/0073;
F24H 9/1881; F23D 14/36
See application file for complete search history.

(56) **References Cited**

U.S. PATENT DOCUMENTS

D180,961 S *	9/1957	Sherman	D23/317
3,193,265 A *	7/1965	Cowan	F24H 3/0488 432/222
4,443,187 A *	4/1984	Shaftner	F24H 3/0488 126/110 B
4,532,914 A *	8/1985	Thomas	F23D 11/40 126/110 B
4,726,767 A *	2/1988	Nakajima	A45D 20/06 126/401
5,848,585 A *	12/1998	Long	F24H 3/0488 126/110 B
6,681,760 B2 *	1/2004	Topp	F23D 14/00 126/110 B

D598,526 S *	8/2009	Pitchford	D23/317
8,485,175 B1 *	7/2013	Hayes	F24H 3/02 126/110 A
9,267,704 B1 *	2/2016	Lee, Jr.	F24H 3/02
9,273,872 B1 *	3/2016	Lee, Jr.	F24D 19/06
9,291,363 B1 *	3/2016	Cassell	
2008/0260364 A1 *	10/2008	Vandrak	F24H 3/0488 392/365
2013/0008423 A1 *	1/2013	Noble	F24H 3/0488 126/116 C

(Continued)

Primary Examiner — T Chase Nelson

Assistant Examiner — Ania Aman

(74) *Attorney, Agent, or Firm* — Workman Nydegger

(57) **CLAIM**

The ornamental design for a hot air generator and corresponding support and air diffuser, as shown and described.

DESCRIPTION

FIG. 1 is a first perspective view of a hot air generator and corresponding support and air diffuser showing my new design;

FIG. 2 is a second perspective view of the hot air generator and corresponding support and air diffuser;

FIG. 3 is a front view of the hot air generator and corresponding support and air diffuser;

FIG. 4 is a first lateral view of the hot air generator and corresponding support and air diffuser;

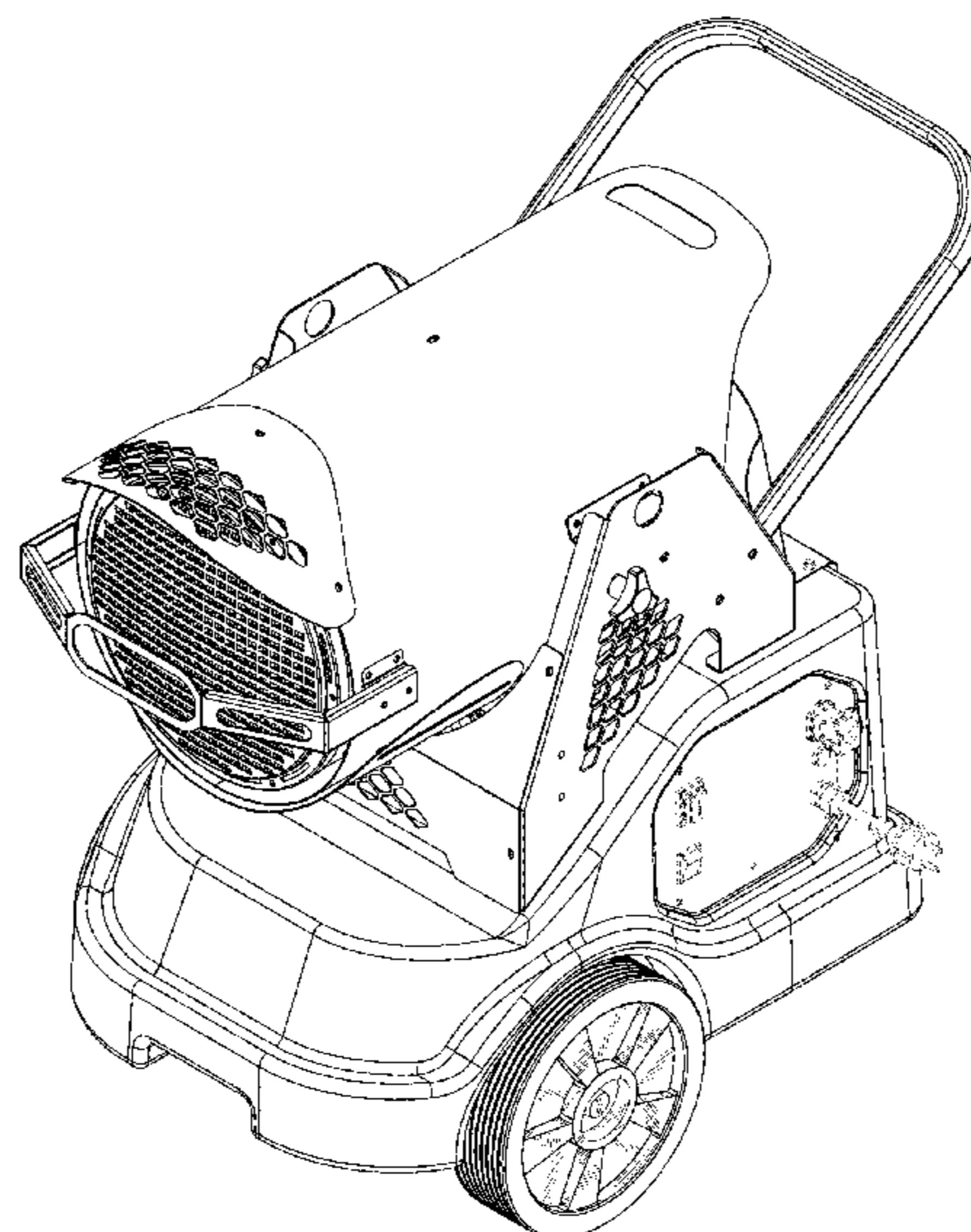
FIG. 5 is a second lateral view of the hot air generator and corresponding support and air diffuser;

FIG. 6 is a back view of the hot air generator and corresponding support and air diffuser; and,

FIG. 7 is a top view of the hot air generator and corresponding support and air diffuser.

The broken lines are included for the purpose of illustrating portions of the hot air generator and corresponding support and air diffuser that form no part of the claimed design.

1 Claim, 7 Drawing Sheets



(56)

References Cited

U.S. PATENT DOCUMENTS

2016/0146503 A1* 5/2016 Kang F24H 3/0488
126/114
2016/0354623 A1* 12/2016 Mueller A62C 3/0207

* cited by examiner

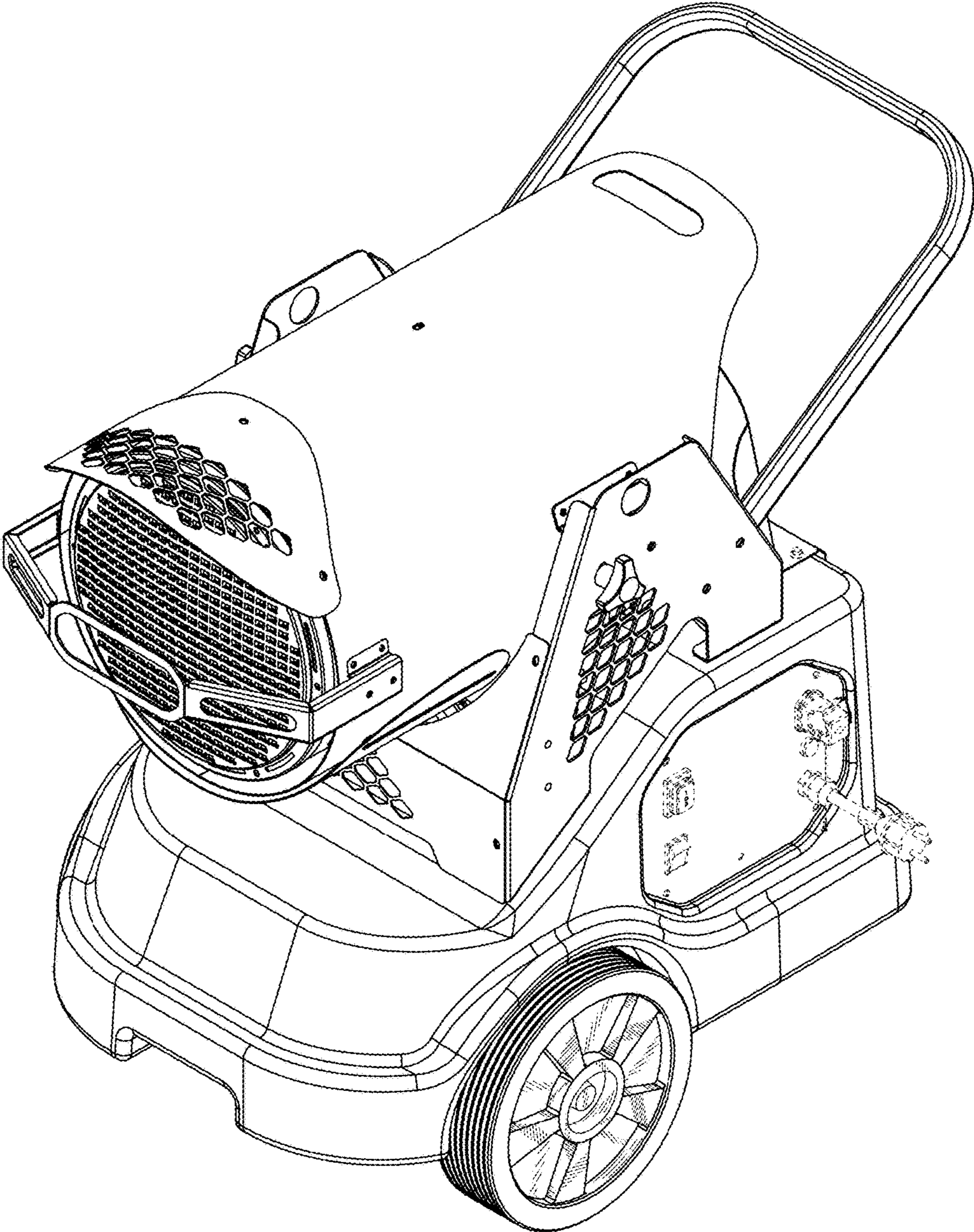


FIG. 1

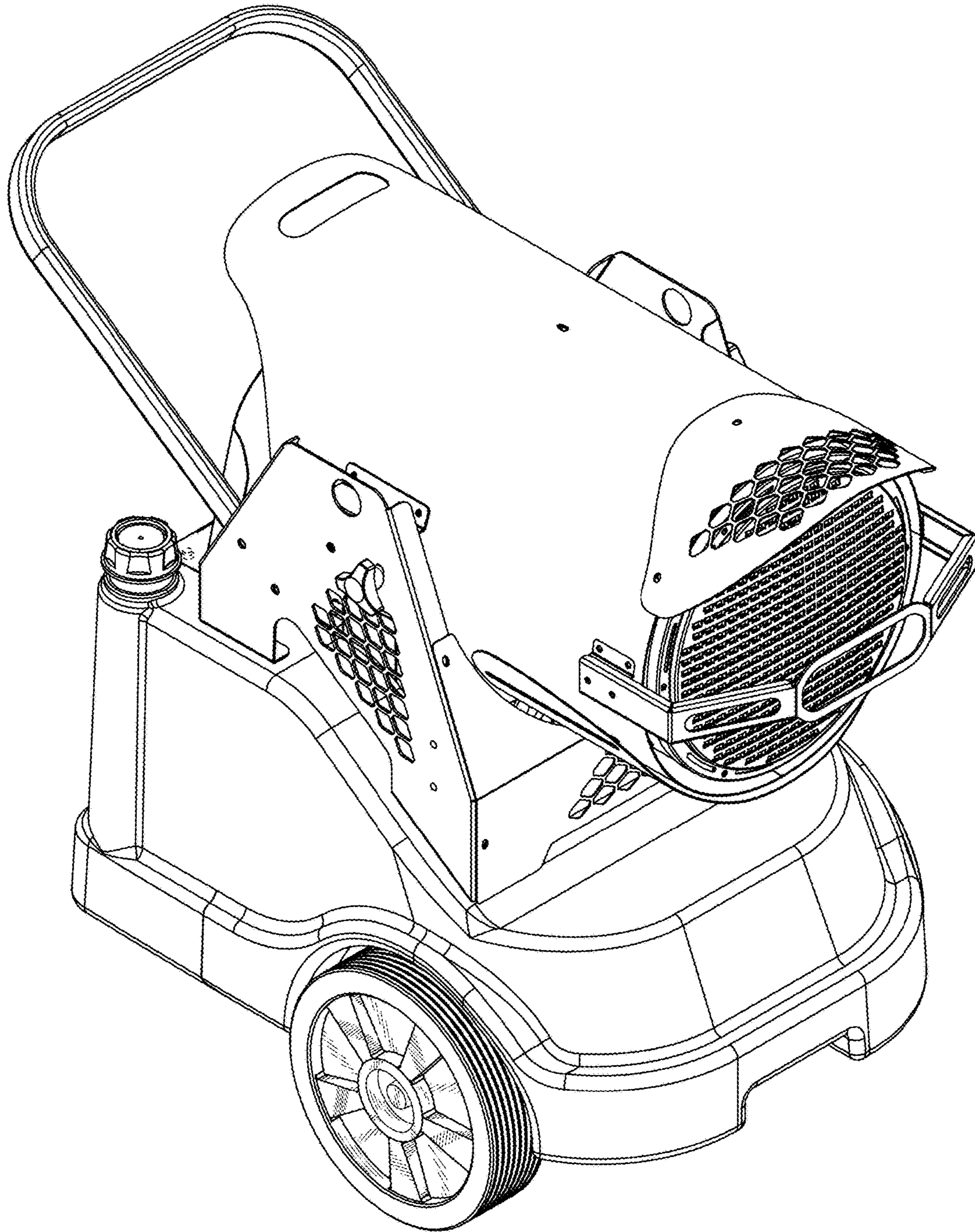


FIG. 2

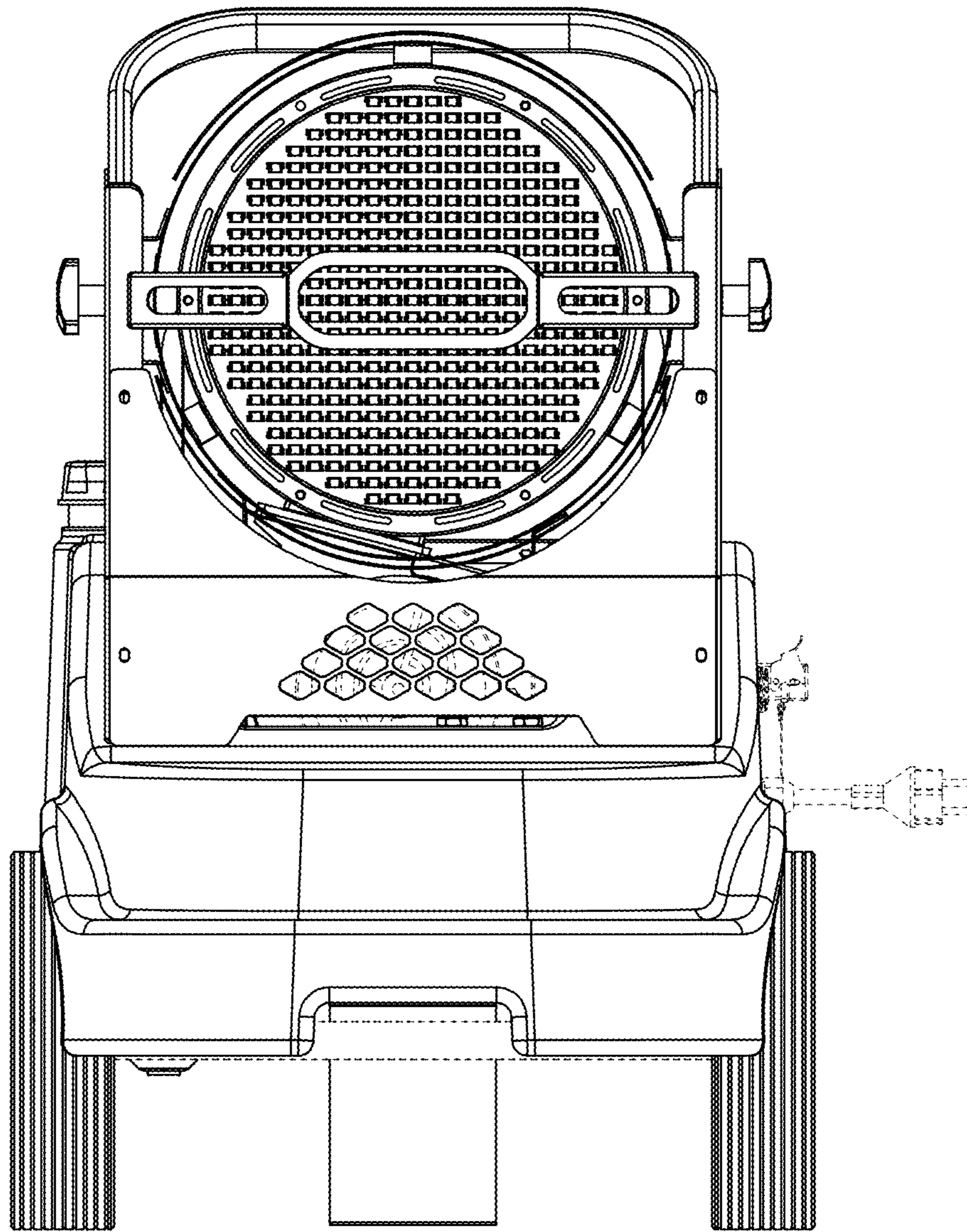


FIG. 3

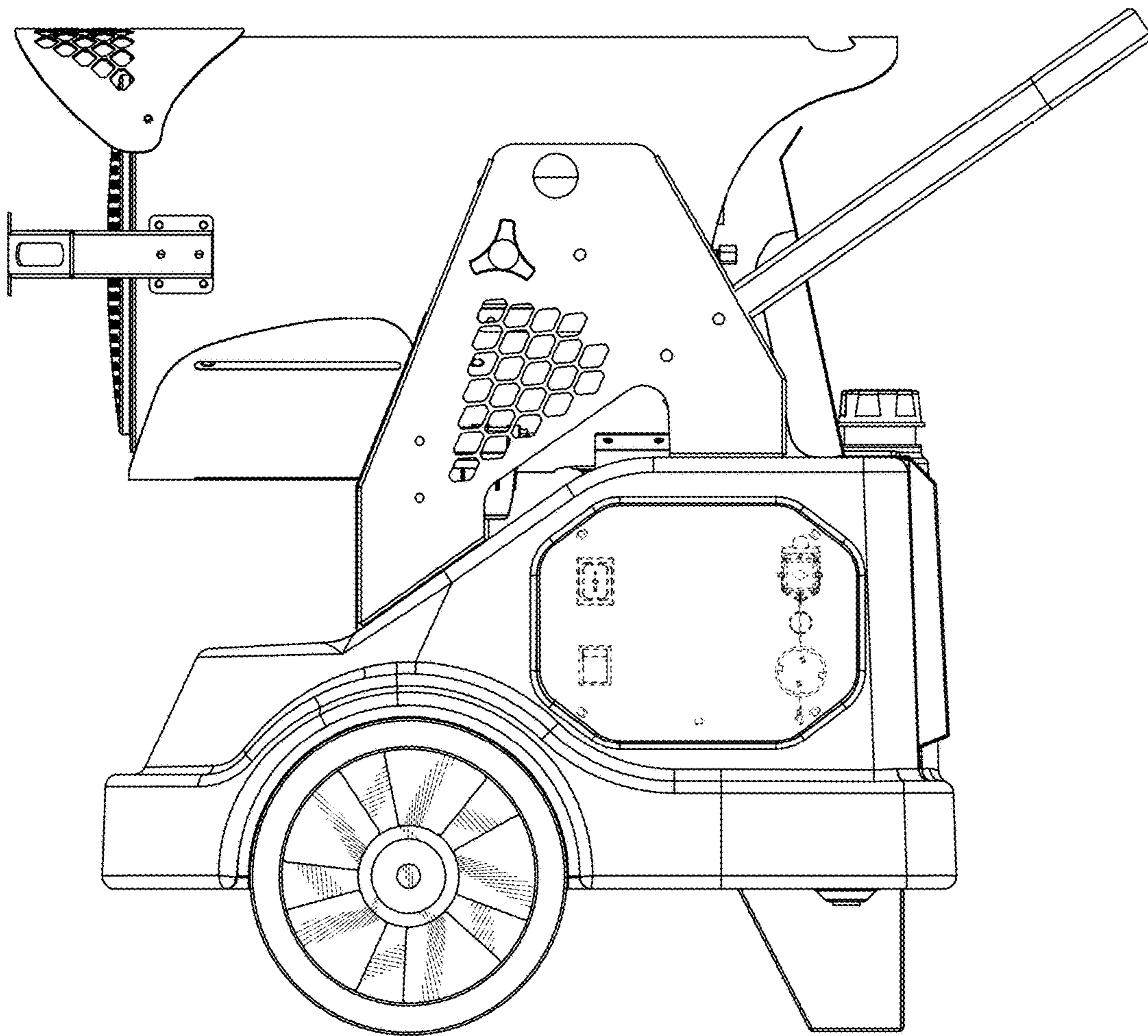


FIG. 4

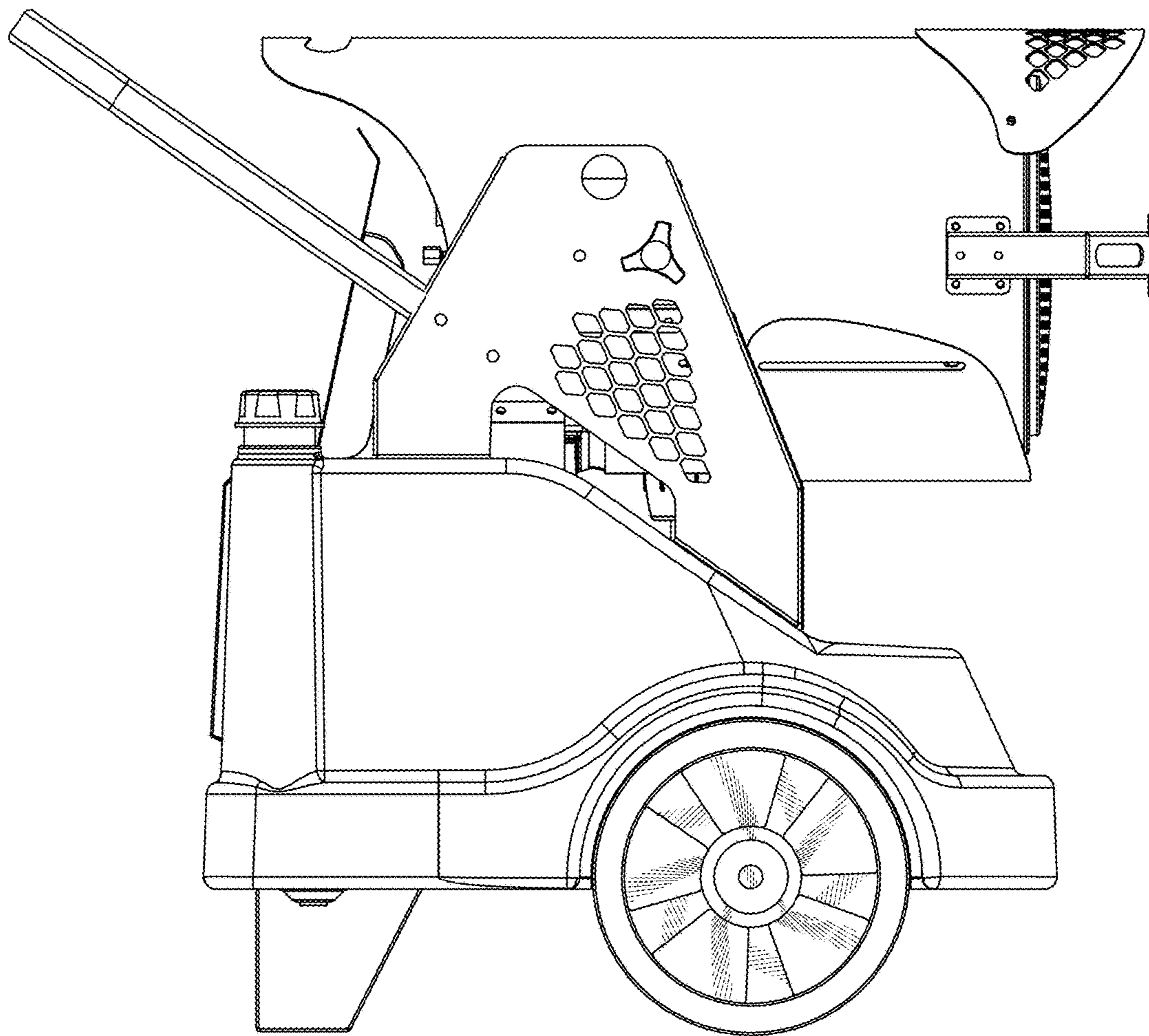


FIG. 5

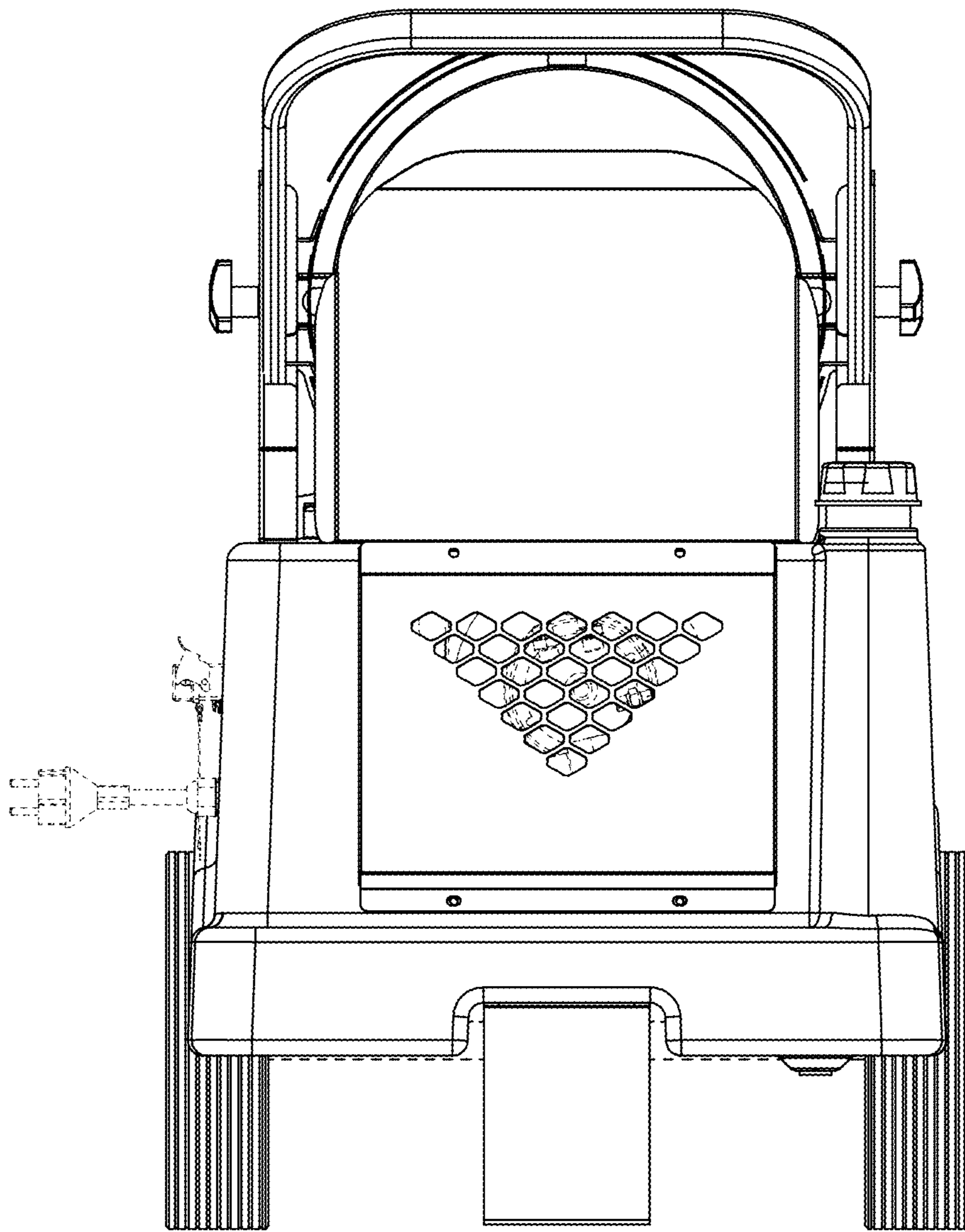


FIG. 6

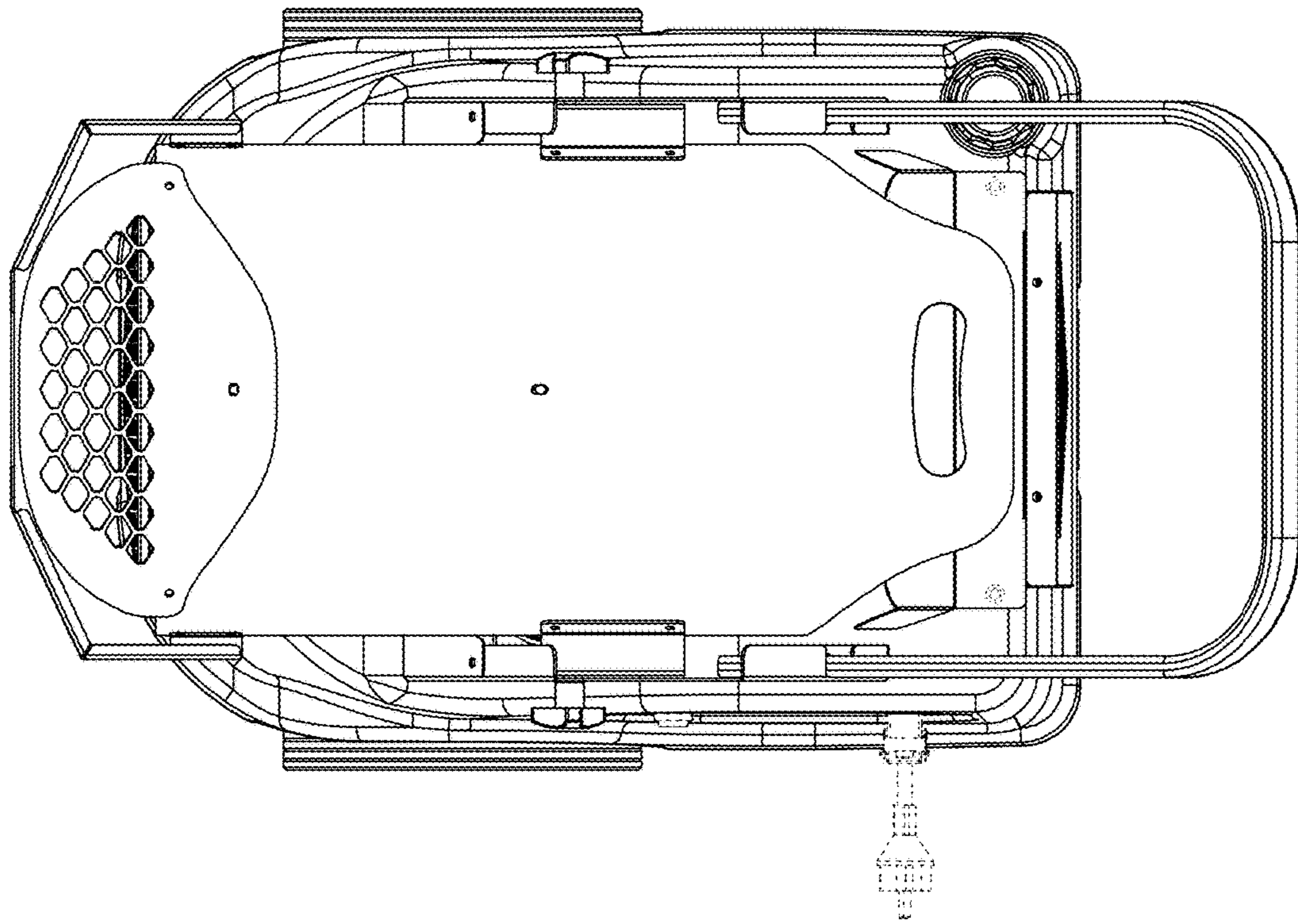


FIG. 7