



US00D834689S

(12) **United States Design Patent** (10) **Patent No.:** **US D834,689 S**  
**Fujiwara** (45) **Date of Patent:** **\*\* Nov. 27, 2018**

(54) **LIQUID PIPE COUPLING UNIVERSAL JOINT**

522,391 A \* 7/1894 Walker ..... F16L 27/06  
277/507  
D39,859 S \* 3/1909 Vogel ..... 285/179  
1,868,696 A \* 7/1932 Crary ..... F16L 27/04  
285/181

(71) Applicant: **FKS CO., LTD.**, Kawasaki-shi (JP)

(72) Inventor: **Yasutatsu Fujiwara**, Tokyo (JP)

(Continued)

(73) Assignee: **FKS Co., Ltd.**, Kawasaki-shi (JP)

**FOREIGN PATENT DOCUMENTS**

(\*\*) Term: **15 Years**

JP 61-162692 10/1986  
JP 07-265973 A 10/1995

(21) Appl. No.: **29/617,018**

(Continued)

(22) Filed: **Sep. 11, 2017**

**OTHER PUBLICATIONS**

**Related U.S. Application Data**

Int'l. Search Report issued in Int'l. App. No. PCT/JP2015/074557, dated Dec. 1, 2015.

(63) Continuation of application No. 15/507,045, filed as application No. PCT/JP2015/074557 on Aug. 25, 2015.

U.S. Appl. No. 15/507,045, filed Aug. 3, 2017.

(30) **Foreign Application Priority Data**

*Primary Examiner* — Eric L Goodman

Jul. 28, 2015 (JP) ..... 2015-148313

*Assistant Examiner* — Amy C Wierenga

(51) **LOC (11) Cl.** ..... **23-01**

(74) *Attorney, Agent, or Firm* — Greer Burns & Crain

(52) **U.S. Cl.**

Ltd.

USPC ..... **D23/263**

(58) **Field of Classification Search**

(57) **CLAIM**

USPC ..... D23/259-260, 262-266; 285/56, 189, 285/194, 286.1, 180, 181, 197, 11-12, 38, 285/179, 270; 403/314, 75, 78; 251/147, 251/148, 149.4, 149.6, 152, 155

The ornamental design for the liquid pipe coupling universal joint, as shown and described.

CPC ..... F16L 5/027; F16L 5/10; F16L 23/0283; F16L 55/00; F16L 37/113; F16L 37/133; F16L 37/138; F16L 37/252; F16L 41/007; F16L 27/06; E03D 11/00; E03C 1/26; E03C 1/28; E03C 1/262

**DESCRIPTION**

See application file for complete search history.

FIG. 1 is a perspective view of the liquid pipe coupling universal joint showing my new design;

(56) **References Cited**

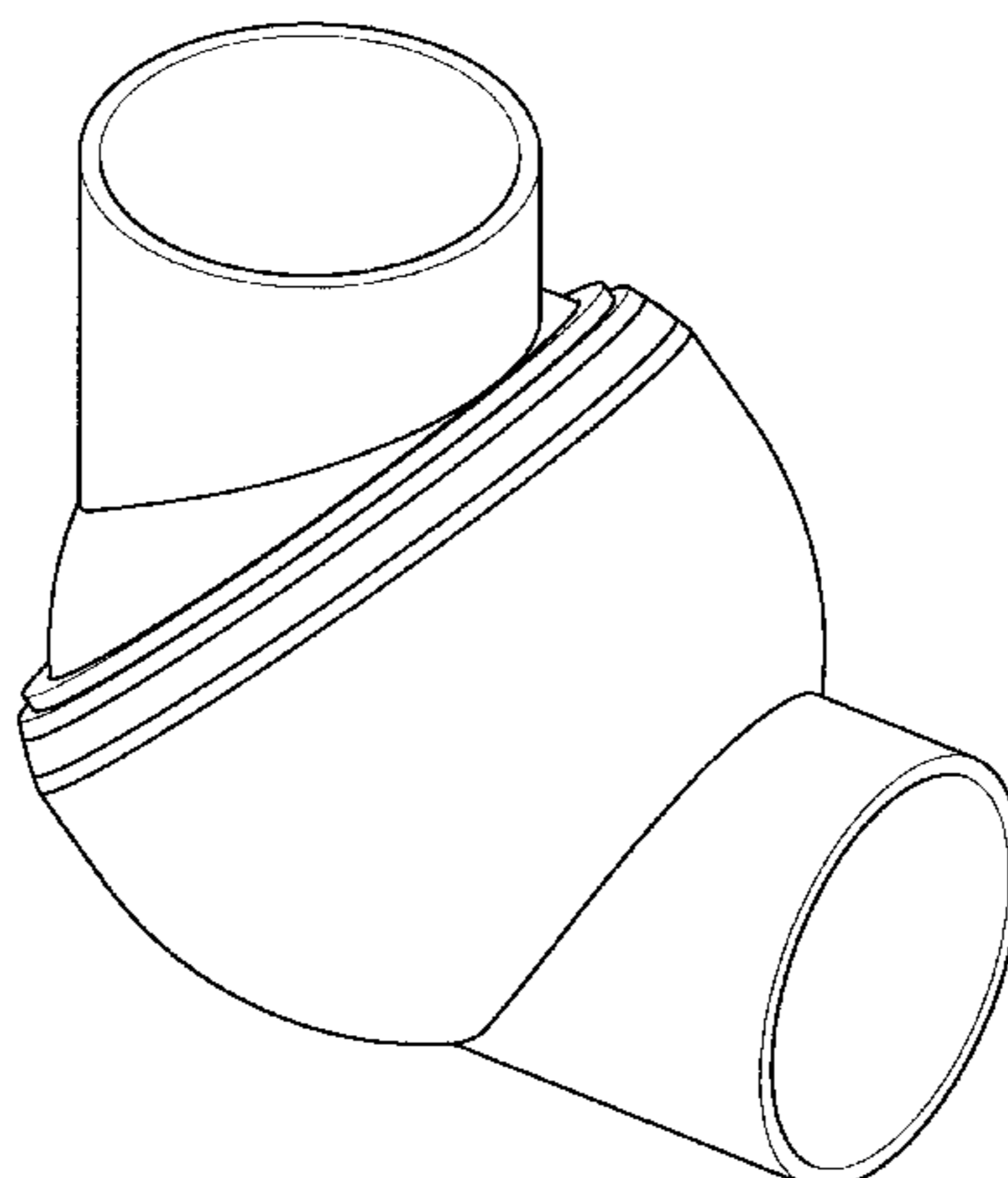
FIG. 2 is a front view of the liquid pipe coupling universal joint of FIG. 1;

**U.S. PATENT DOCUMENTS**

FIG. 3 is a plan view of the liquid pipe coupling universal joint of FIG. 1;

83,401 A \* 10/1868 Morrison ..... F16L 27/0849  
285/184

(Continued)



# US D834,689 S

Page 2

FIG. 4 is a bottom view of the liquid pipe coupling universal joint of FIG. 1;  
FIG. 5 is a right side view of the liquid pipe coupling universal joint of FIG. 1; and,  
FIG. 6 is a left side view of the liquid pipe coupling universal joint of FIG. 1.

**1 Claim, 6 Drawing Sheets**

7,300,074 B1 \* 11/2007 Paulson ..... B65G 53/523  
285/179  
D556,899 S \* 12/2007 Veliss ..... D24/110.1  
7,793,991 B2 \* 9/2010 Wormall ..... E03F 5/02  
137/372  
D726,288 S \* 4/2015 Sisk ..... D23/263  
D739,508 S \* 9/2015 Menno ..... D23/263  
D771,780 S \* 11/2016 Scifres ..... D23/266  
2017/0343139 A1 \* 11/2017 Fujiwara ..... F16L 27/06

## FOREIGN PATENT DOCUMENTS

(56)

### References Cited

#### U.S. PATENT DOCUMENTS

2,292,328 A \* 8/1942 Sisk ..... E03C 1/122  
285/125.1  
2,581,047 A \* 1/1952 Salmond ..... F16L 27/0849  
285/181  
D283,833 S \* 5/1986 Macintyre ..... D23/263  
D291,481 S \* 8/1987 Vassallo ..... D23/263

JP 3023017 U 4/1996  
JP 8-177475 A 7/1996  
JP 10-213280 A 8/1998  
JP 11-159673 A 6/1999  
JP 2000-13964 A 1/2000  
JP 2000-193163 A 7/2000  
JP 3915799 B2 5/2007  
JP 2010-242880 A 10/2010  
JP 2017026117 A \* 2/2017

\* cited by examiner

FIG. 1

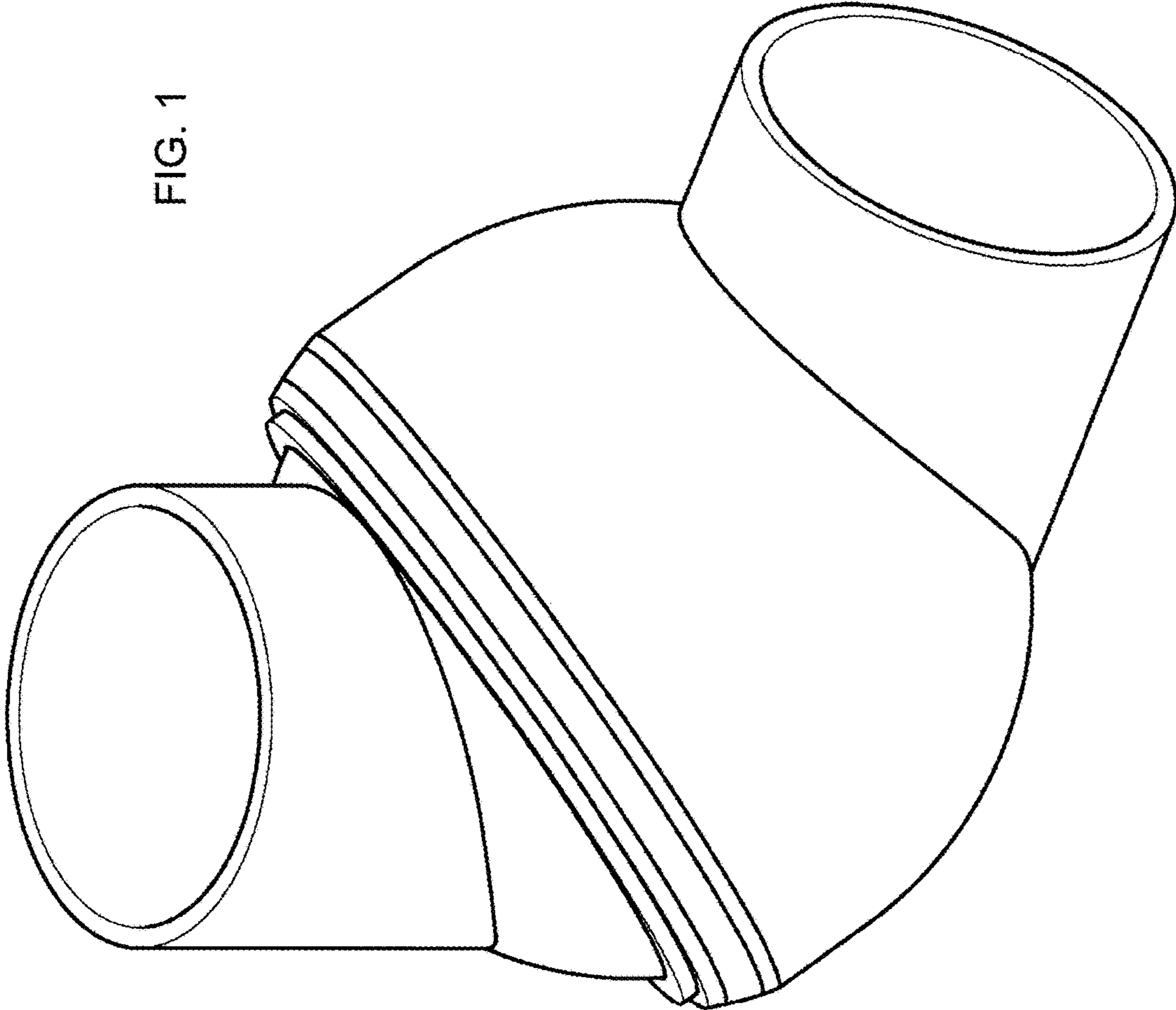


FIG. 2

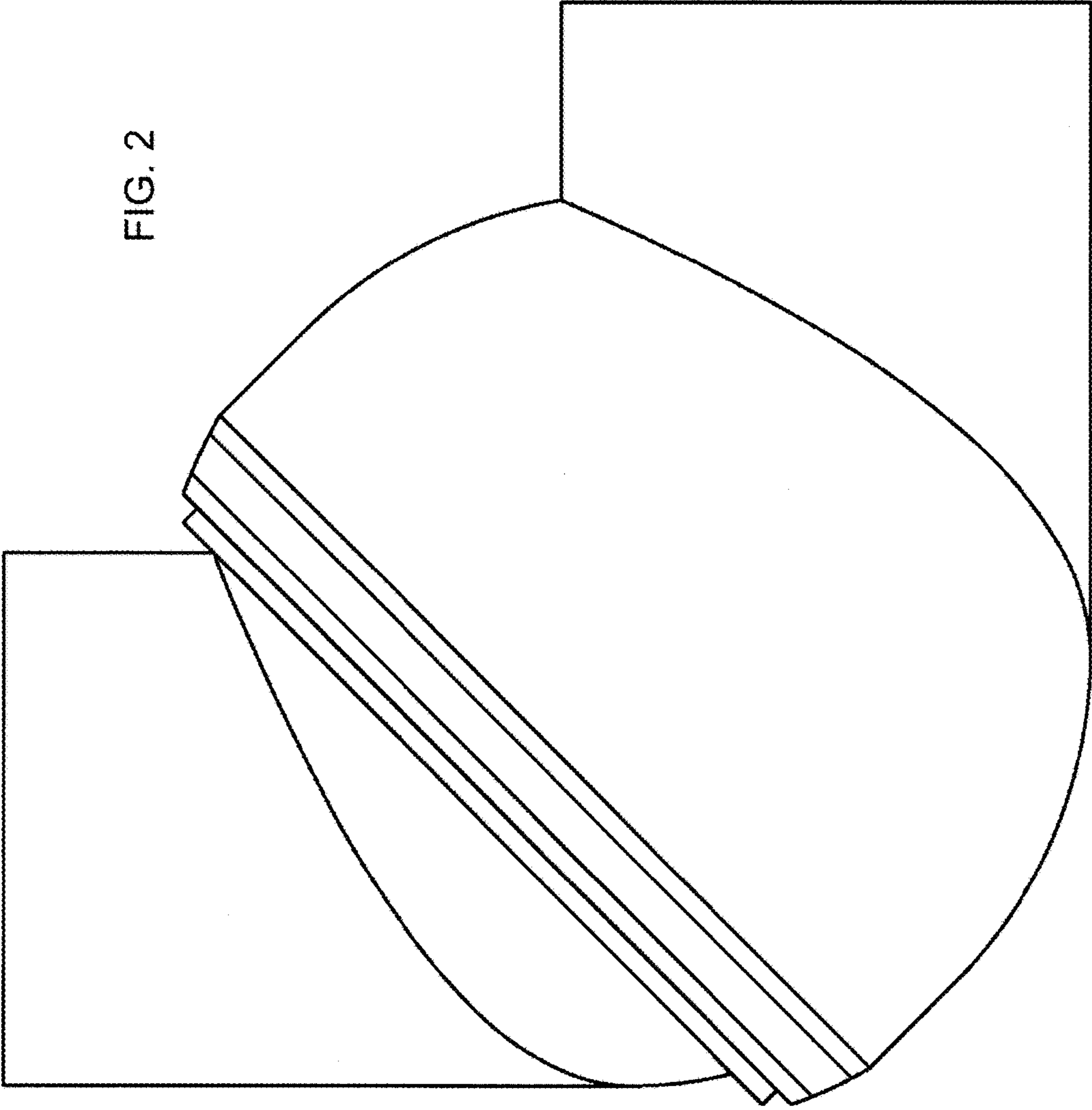


FIG. 3

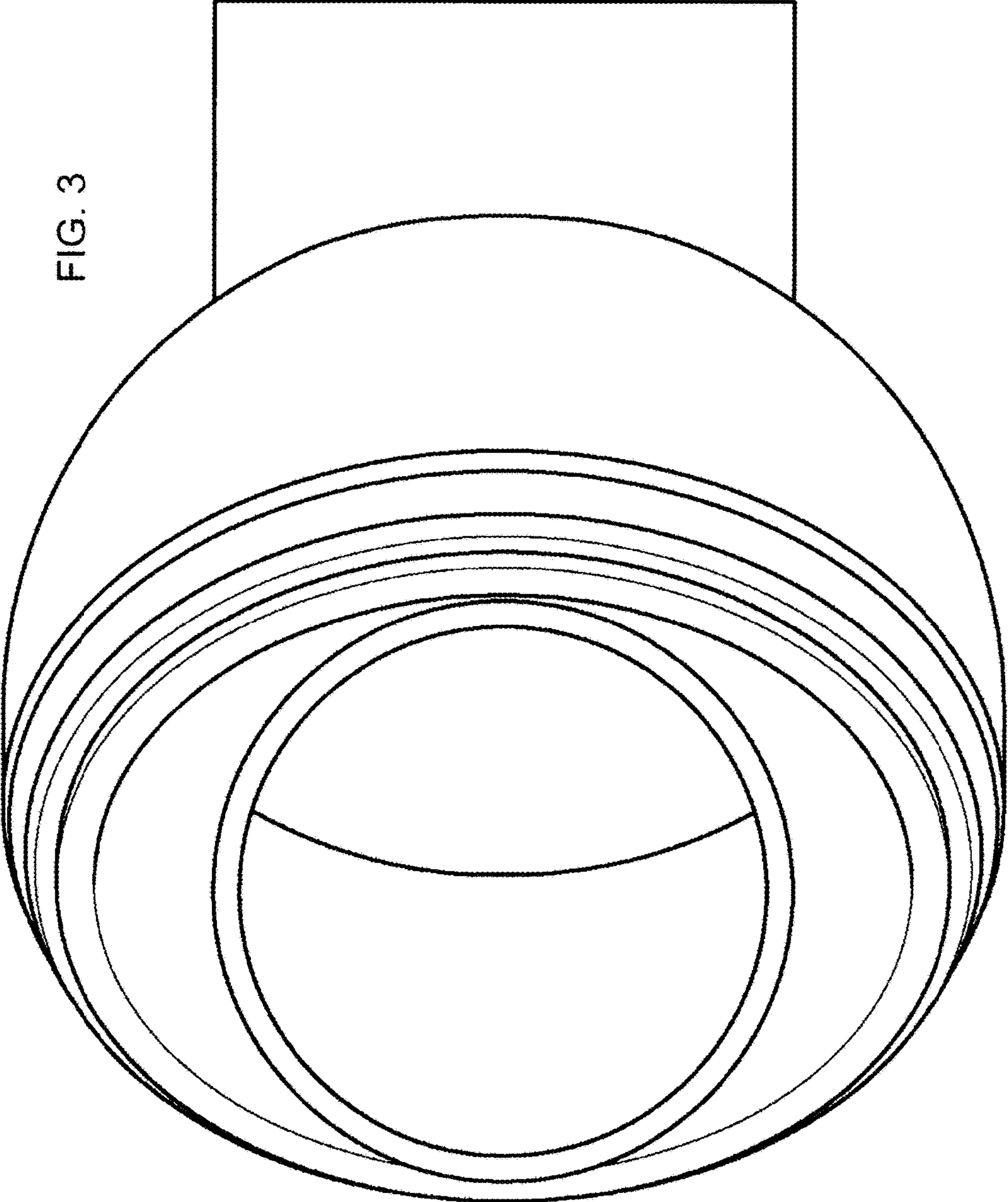
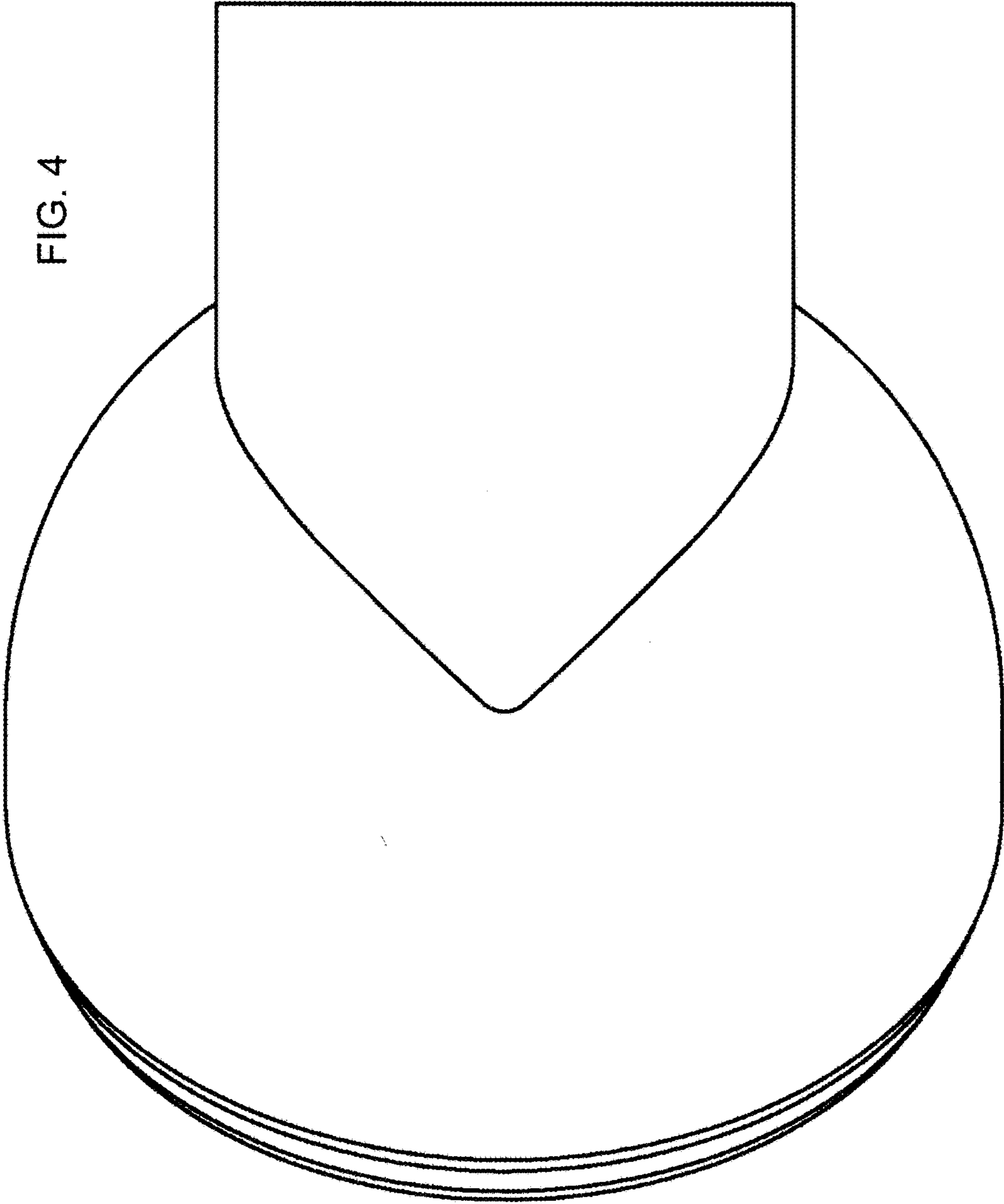


FIG. 4



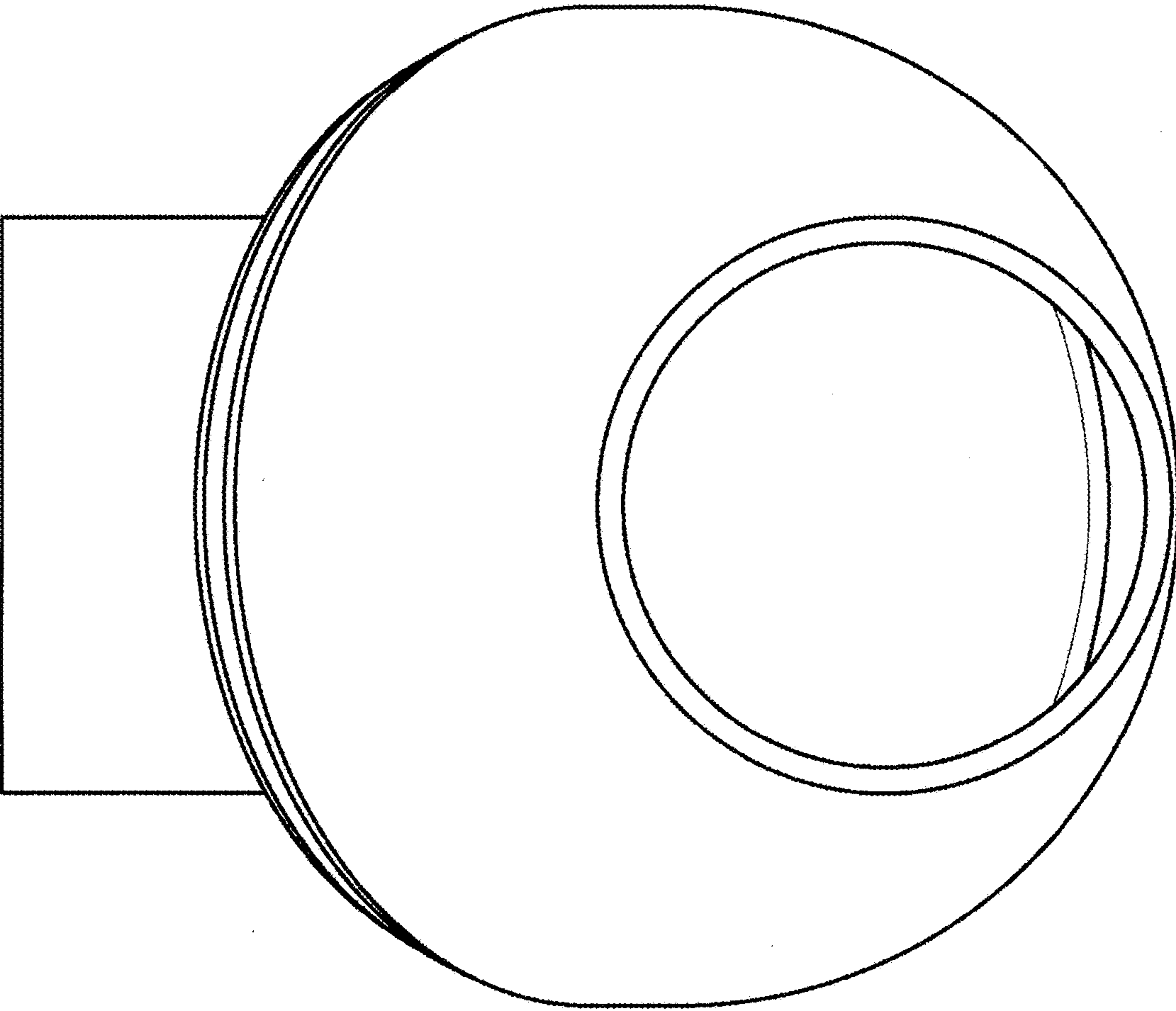


FIG. 5

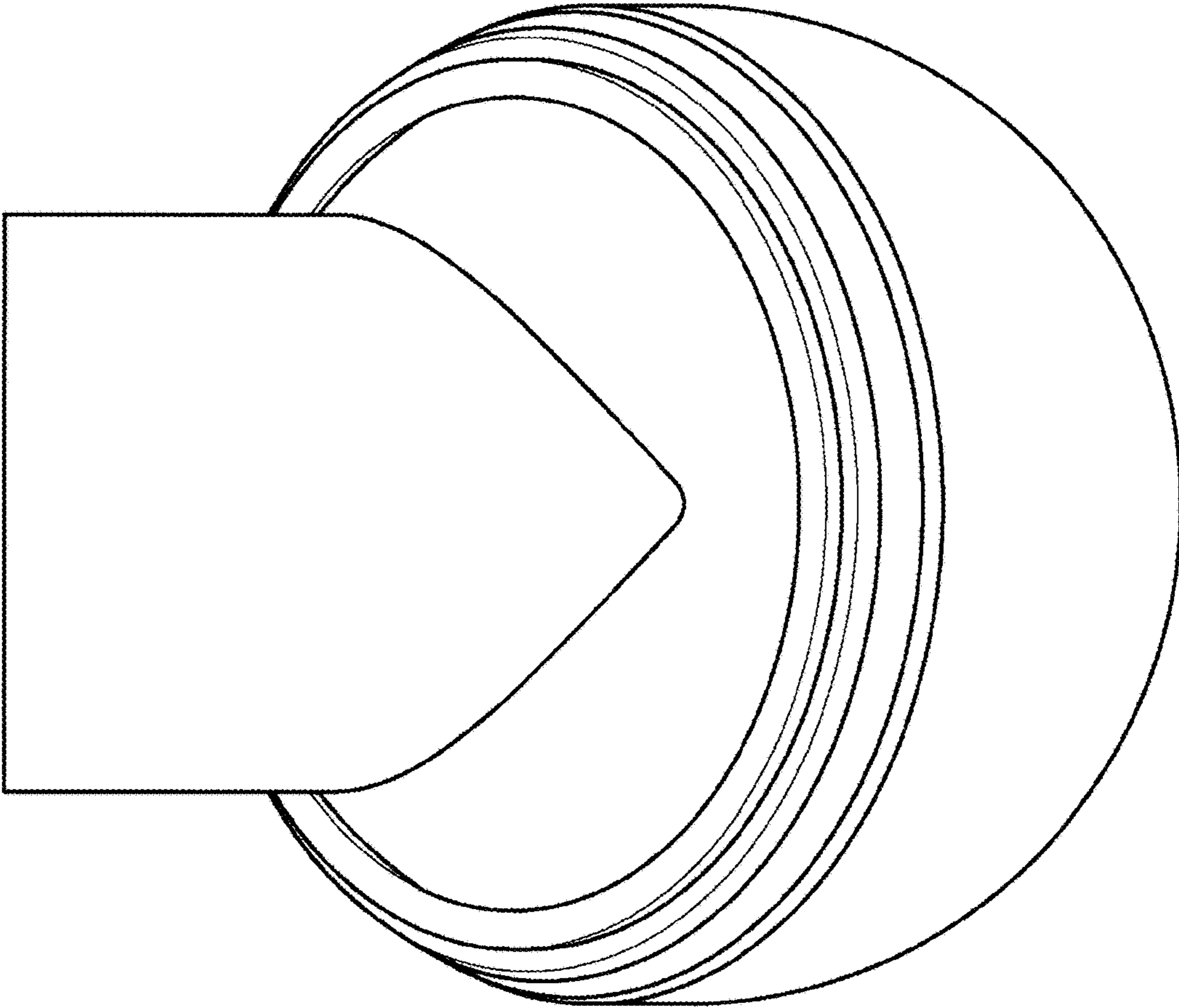


FIG. 6