



US00D834688S

(12) **United States Design Patent**  
**Khubani**

(10) **Patent No.:** **US D834,688 S**

(45) **Date of Patent:** **\*\* Nov. 27, 2018**

(54) **HOSE CONNECTOR**

(71) Applicant: **Telebrands Corp.**, Fairfield, NJ (US)

(72) Inventor: **Ajit Khubani**, Saddle River, NJ (US)

(73) Assignee: **Telebrands Corp.**, Fairfield, NJ (US)

(\*\*) Term: **15 Years**

(21) Appl. No.: **29/602,789**

(22) Filed: **May 3, 2017**

(51) **LOC (11) Cl.** ..... **23-01**

(52) **U.S. Cl.**  
USPC ..... **D23/262**

(58) **Field of Classification Search**  
USPC ..... D23/259, 260, 262-267, 213, 223, 226,  
D23/232-237; D24/129; D8/382, 396;  
251/149.6-149.9, 149.1, 149; 285/245,  
285/246, 249, 322, 248, 251, 253;  
137/614, 614.02-614.06; D29/129;  
D32/25, 32

CPC ..... F16L 37/0841; F16L 37/35; F16L 37/34;  
F16L 37/142; F16L 37/413; F16L 37/30;  
F16L 37/44; F16L 37/36; F16L 45/00;  
F16L 5/00; F16L 55/105; F16L 55/1007

See application file for complete search history.

(56) **References Cited**

**U.S. PATENT DOCUMENTS**

D253,245 S \* 10/1979 Allenbaugh, Jr. .... D23/213  
D457,604 S \* 5/2002 Chen ..... D23/262

D482,761 S \* 11/2003 Gotoh ..... D23/233  
D575,377 S \* 8/2008 Roman ..... D23/259  
D719,244 S \* 12/2014 Yang ..... D23/262  
D736,359 S \* 8/2015 Melo ..... D23/262  
D739,493 S \* 9/2015 Wyne ..... D23/200  
D760,363 S \* 6/2016 Yang ..... D23/262  
D777,888 S \* 1/2017 Vaz ..... D23/262  
D779,640 S \* 2/2017 Vaz ..... D23/262  
D782,623 S \* 3/2017 Vaz ..... D23/262  
D784,497 S \* 4/2017 Vaz ..... D23/262  
9,709,194 B1 \* 7/2017 Pan ..... F16L 11/20  
2011/0303317 A1 \* 12/2011 Montalvo ..... F16L 11/082  
138/129

\* cited by examiner

*Primary Examiner* — Eric L Goodman

*Assistant Examiner* — Amy C Wierenga

(74) *Attorney, Agent, or Firm* — Pryor Cashman LLP

(57) **CLAIM**

The ornamental design for a hose connector, as shown and described.

**DESCRIPTION**

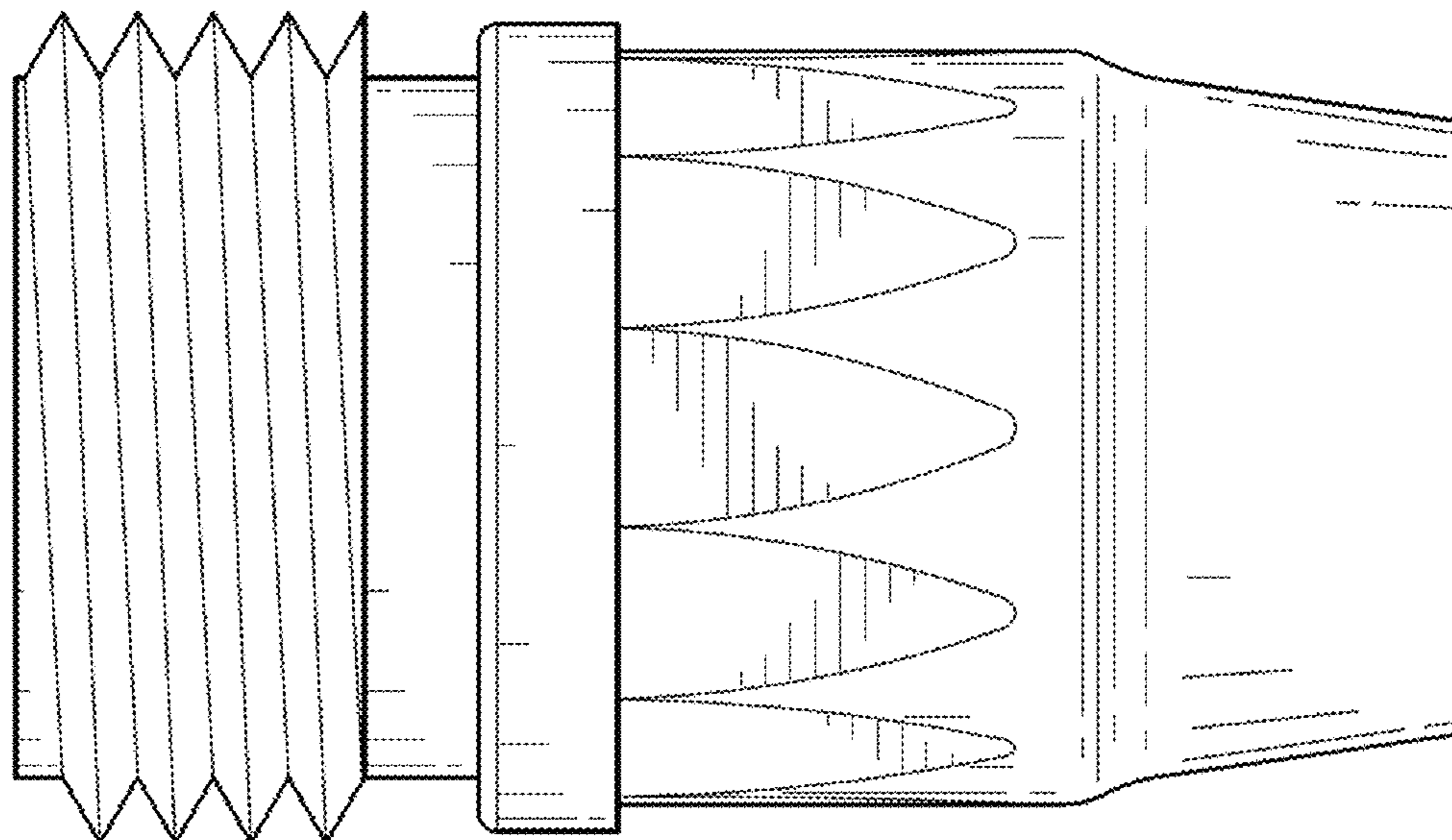
FIG. 1 is a right side view of a hose connector;

FIG. 2 is a front side view thereof; and,

FIG. 3 is a left side view thereof.

The broken lines shown in the drawings illustrate portions of the hose connector that form no part of the claim.

**1 Claim, 3 Drawing Sheets**



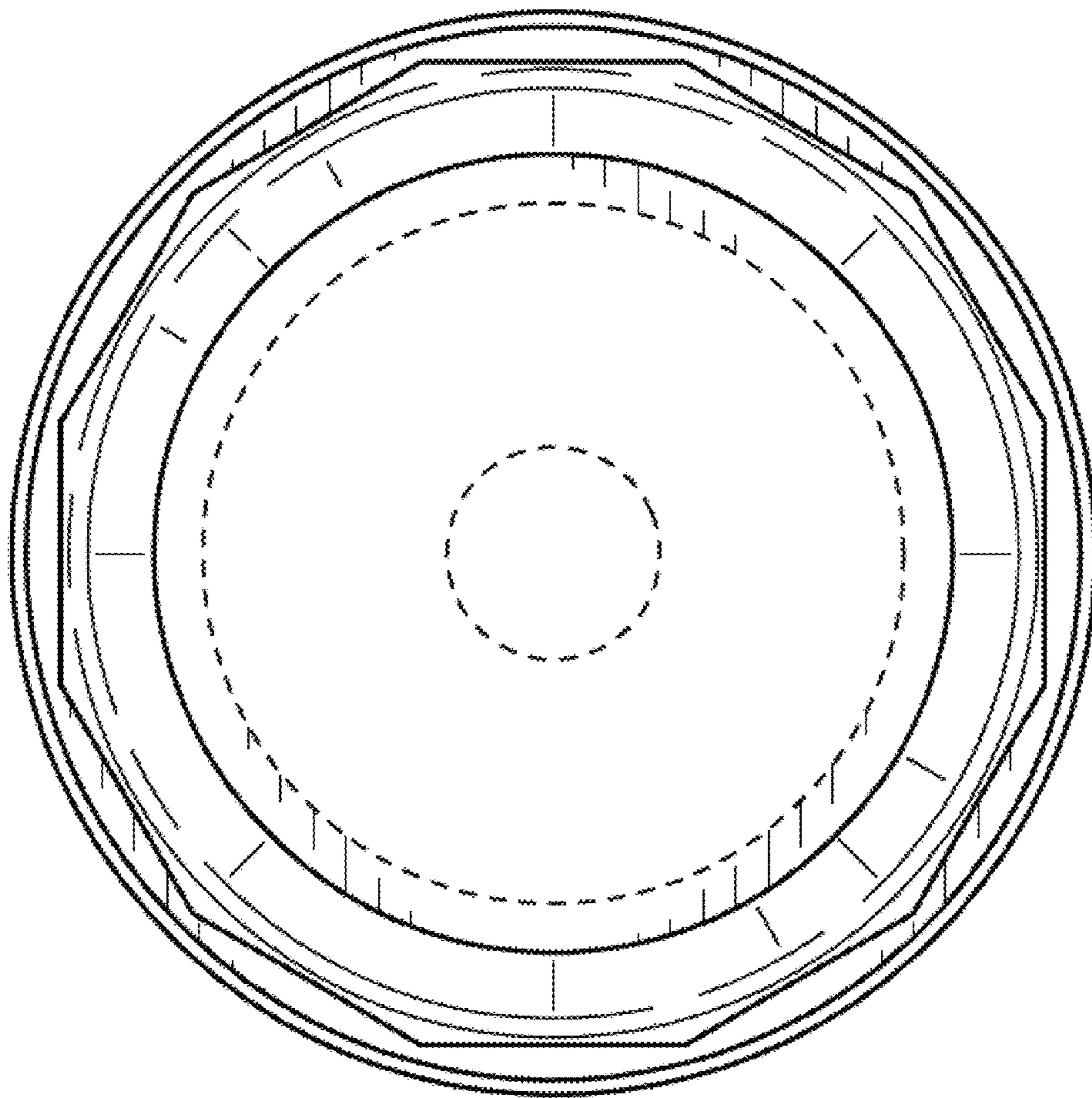


FIG. 1

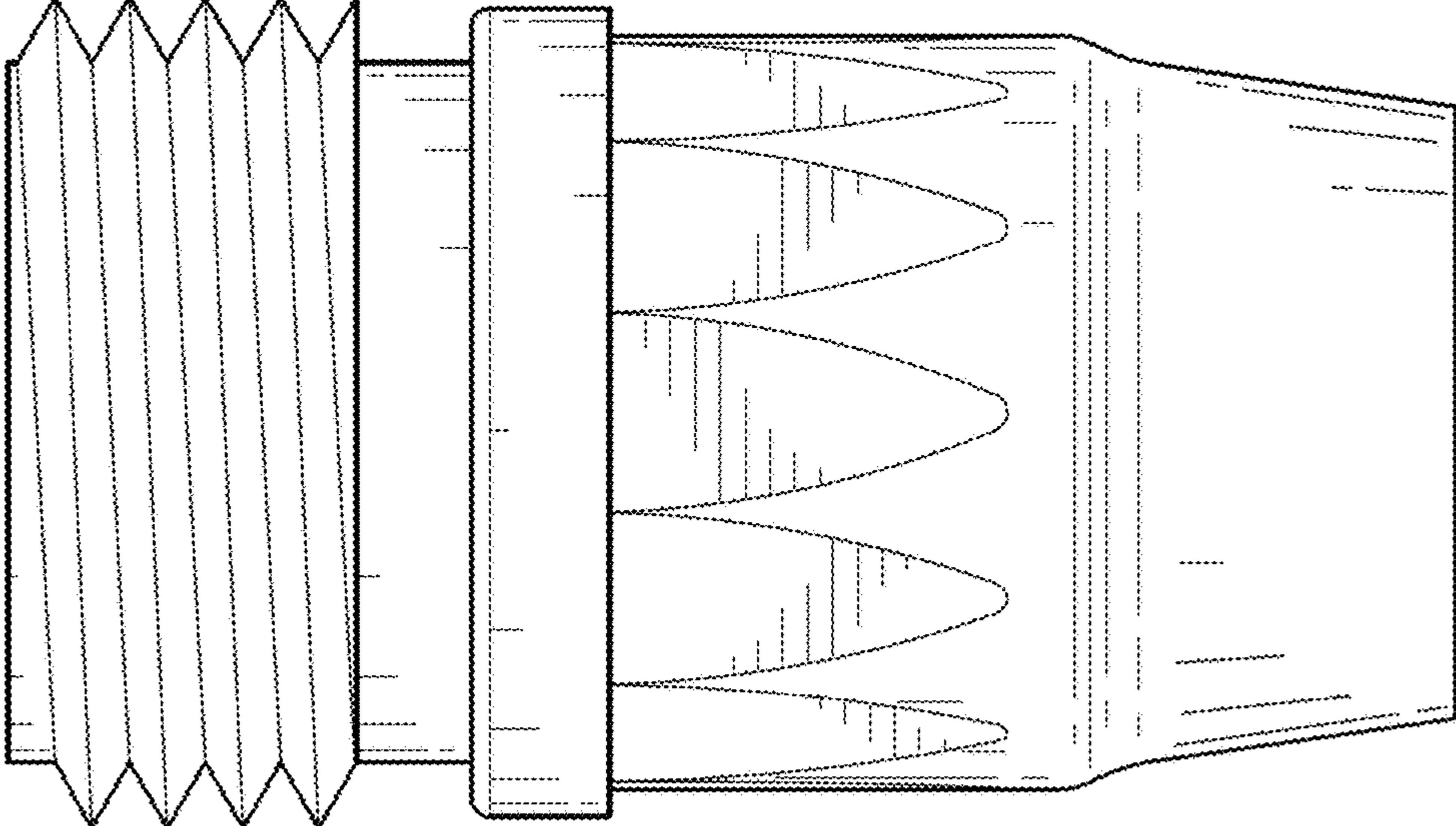


FIG. 2

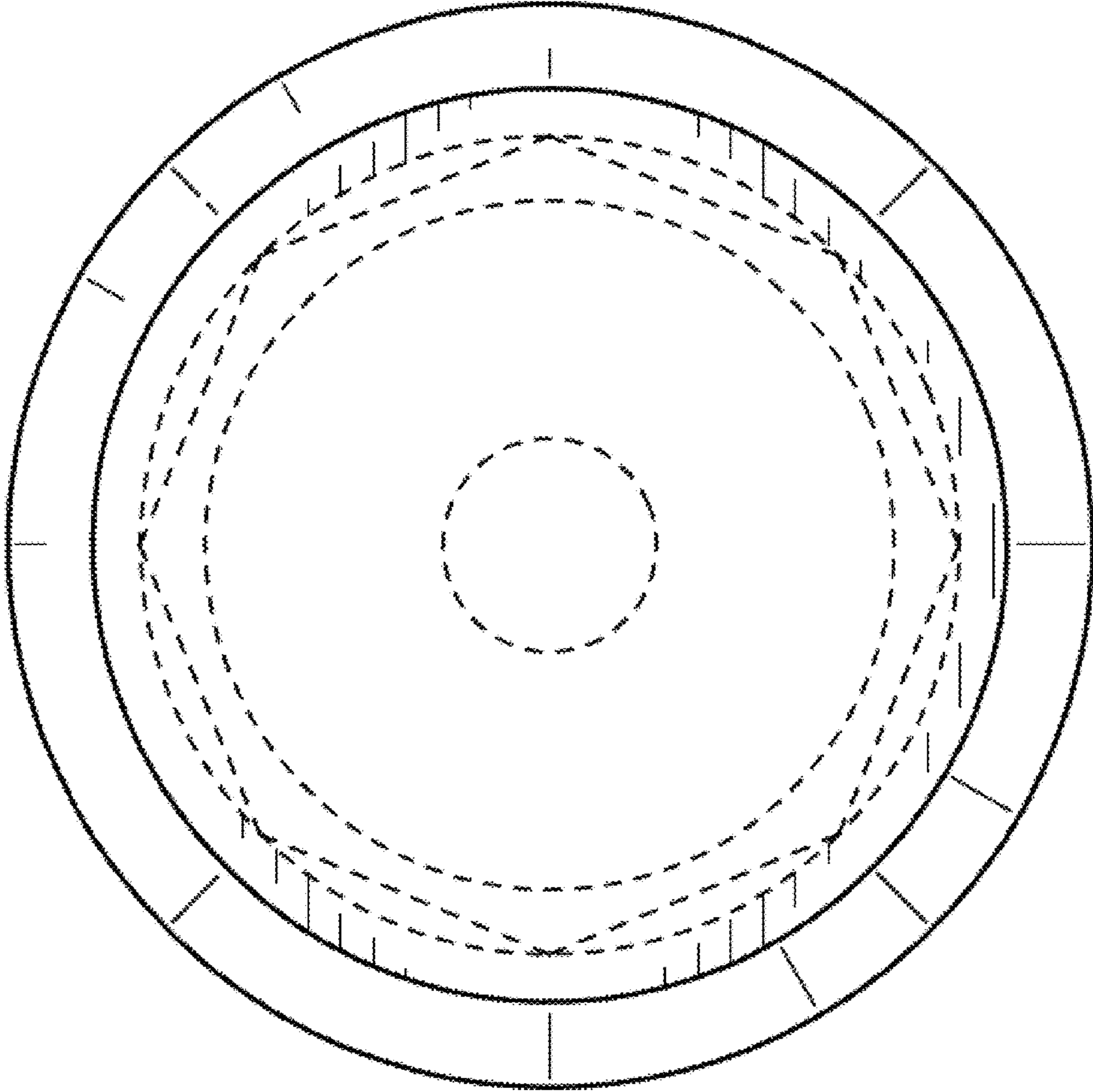


FIG. 3