



US00D834687S

(12) **United States Design Patent**
Khubani

(10) **Patent No.:** **US D834,687 S**

(45) **Date of Patent:** **** Nov. 27, 2018**

(54) **HOSE CONNECTOR**

(71) Applicant: **Telebrands Corp.**, Fairfield, NJ (US)

(72) Inventor: **Ajit Khubani**, Saddle River, NJ (US)

(73) Assignee: **Telebrands Corp.**, Fairfield, NJ (US)

(**) Term: **15 Years**

(21) Appl. No.: **29/602,779**

(22) Filed: **May 3, 2017**

(51) **LOC (11) Cl.** **23-01**

(52) **U.S. Cl.**

USPC **D23/262**

(58) **Field of Classification Search**

USPC D23/259, 260, 262-267, 213, 223, 226,
D23/232-237; D24/129; D8/382, 396;
251/149.6-149.9, 149.1, 149; 285/245,
285/246, 249, 322, 248, 251, 253;
137/614, 614.02-614.06; D29/129;
D32/25, 32

CPC F16L 37/0841; F16L 37/35; F16L 37/34;
F16L 37/142; F16L 37/413; F16L 37/30;
F16L 37/44; F16L 37/36; F16L 45/00;
F16L 5/00; F16L 55/105; F16L 55/1007

See application file for complete search history.

(56) **References Cited**

U.S. PATENT DOCUMENTS

D253,245 S * 10/1979 Allenbaugh, Jr. D23/213
D457,604 S * 5/2002 Chen D23/262

D482,761 S * 11/2003 Gotoh D23/233
D575,377 S * 8/2008 Roman D23/259
D719,244 S * 12/2014 Yang D23/262
D736,357 S * 8/2015 Melo D23/262
D736,358 S * 8/2015 Melo D23/262
D738,471 S * 9/2015 Melo D23/262
D739,493 S * 9/2015 Wyne D23/200
D757,233 S * 5/2016 Vaz D23/262
D760,363 S * 6/2016 Yang D23/262
D777,888 S * 1/2017 Vaz D23/262
D779,640 S * 2/2017 Vaz D23/262
D782,623 S * 3/2017 Vaz D23/262
D784,497 S * 4/2017 Vaz D23/262
D790,044 S * 6/2017 Li D23/262
9,709,194 B1 * 7/2017 Pan F16L 11/20

* cited by examiner

Primary Examiner — Eric L Goodman

Assistant Examiner — Amy C Wierenga

(74) *Attorney, Agent, or Firm* — Pryor Cashman LLP

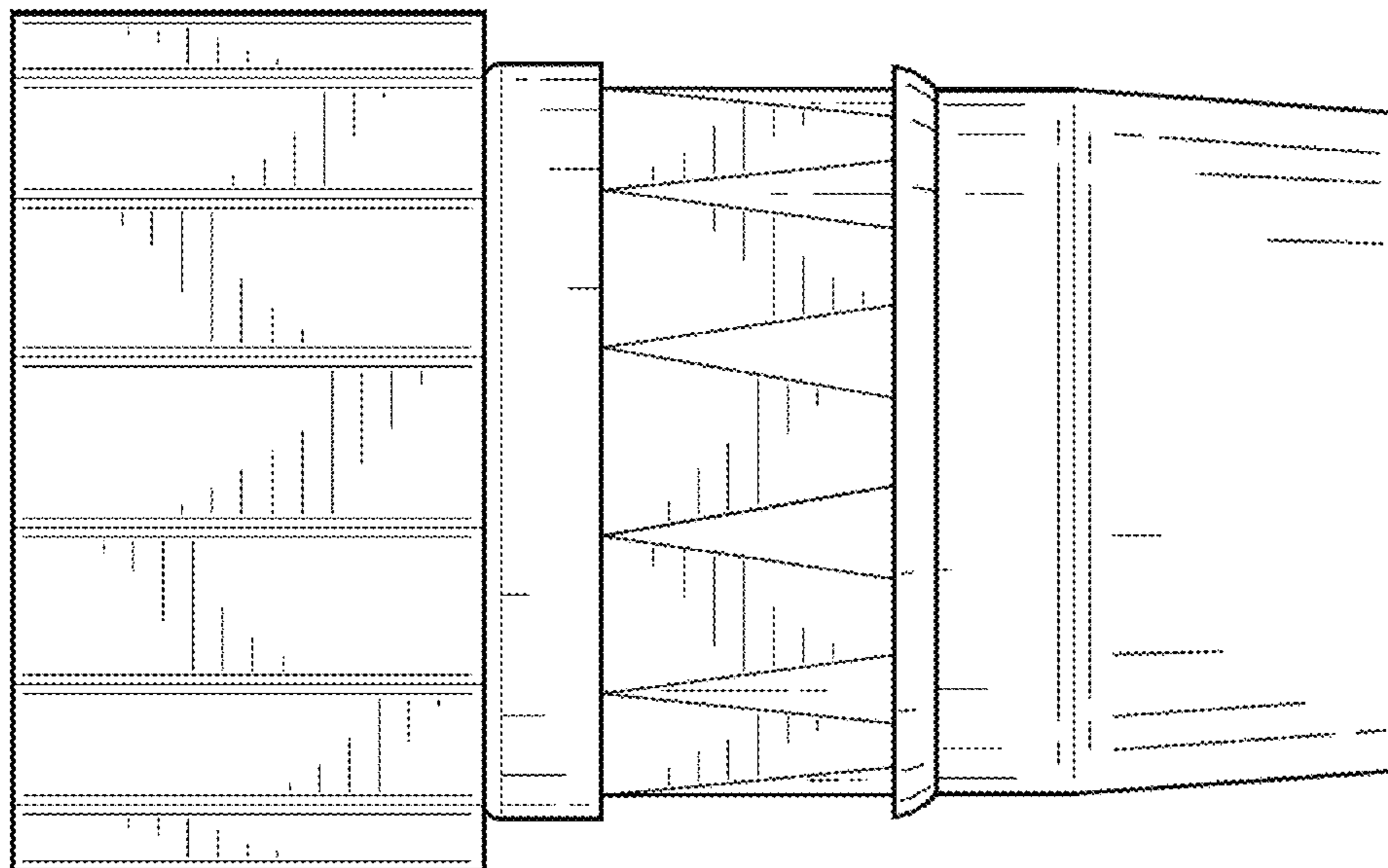
(57) **CLAIM**

The ornamental design for a hose connector, as shown and described.

DESCRIPTION

FIG. 1 is a right side view of a hose connector;
FIG. 2 is a front side view thereof; and,
FIG. 3 is a left side view thereof.
The broken lines shown in the drawings illustrate portions of the hose connector that form no part of the claim.

1 Claim, 3 Drawing Sheets



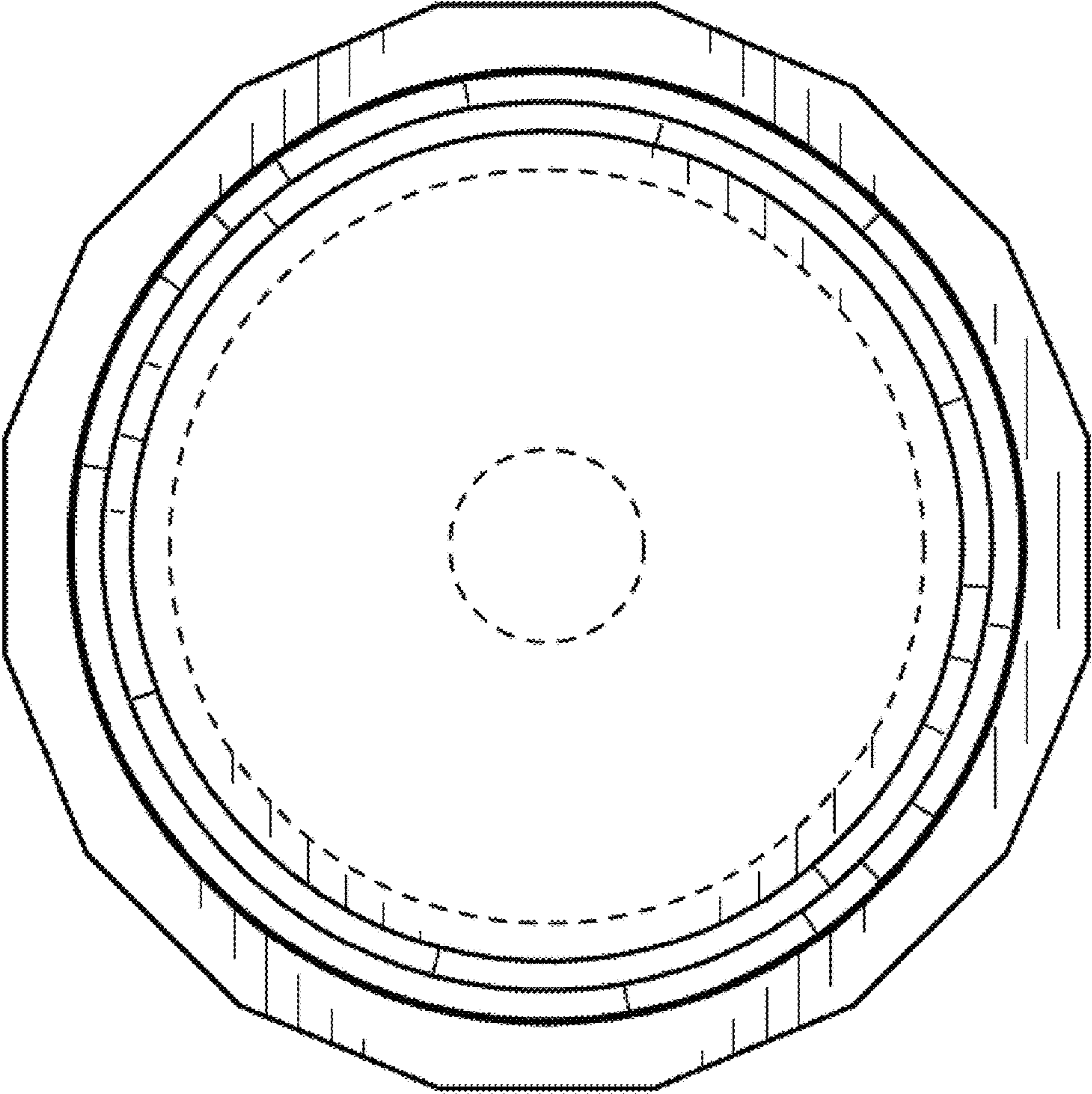


FIG. 1

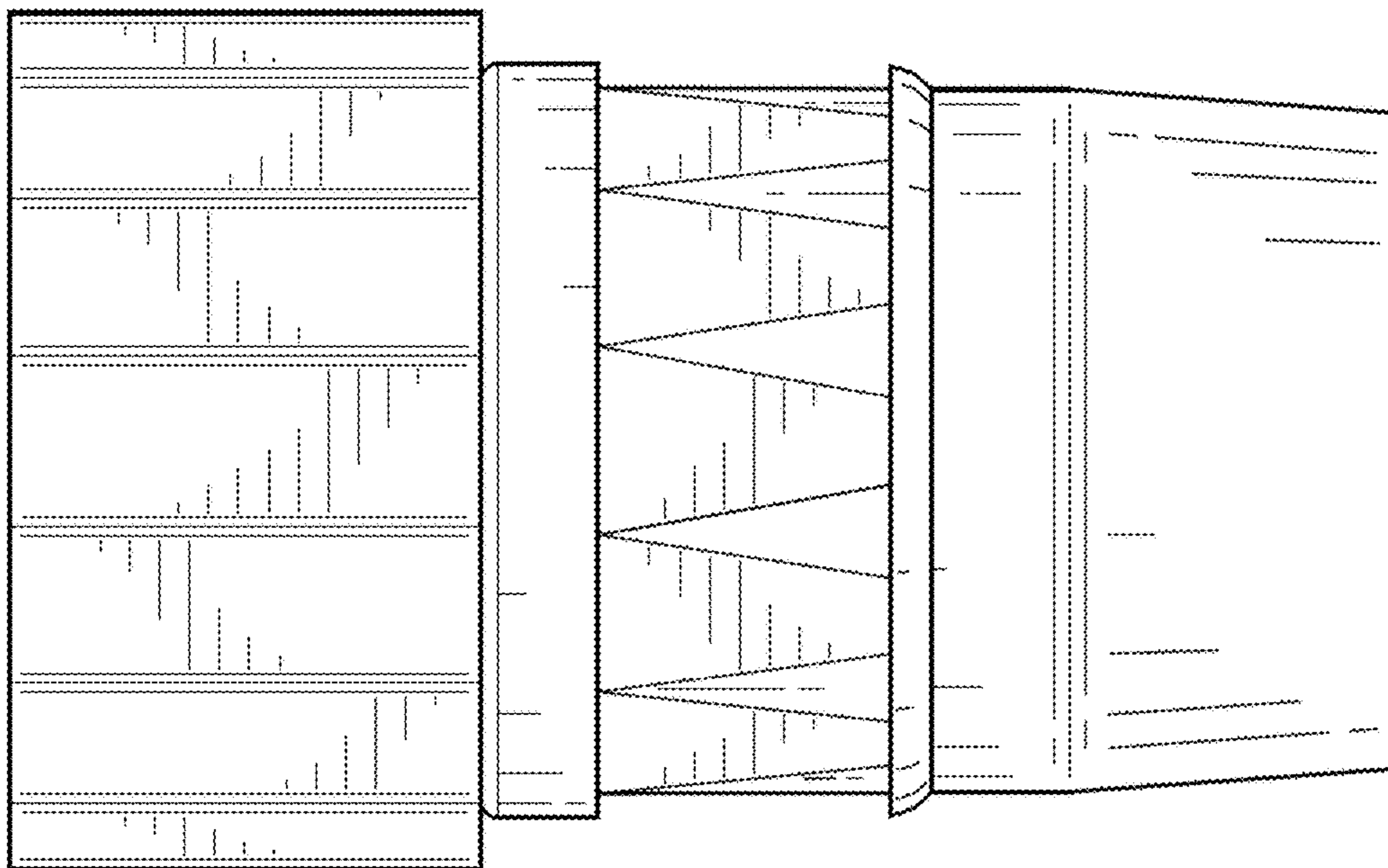


FIG. 2

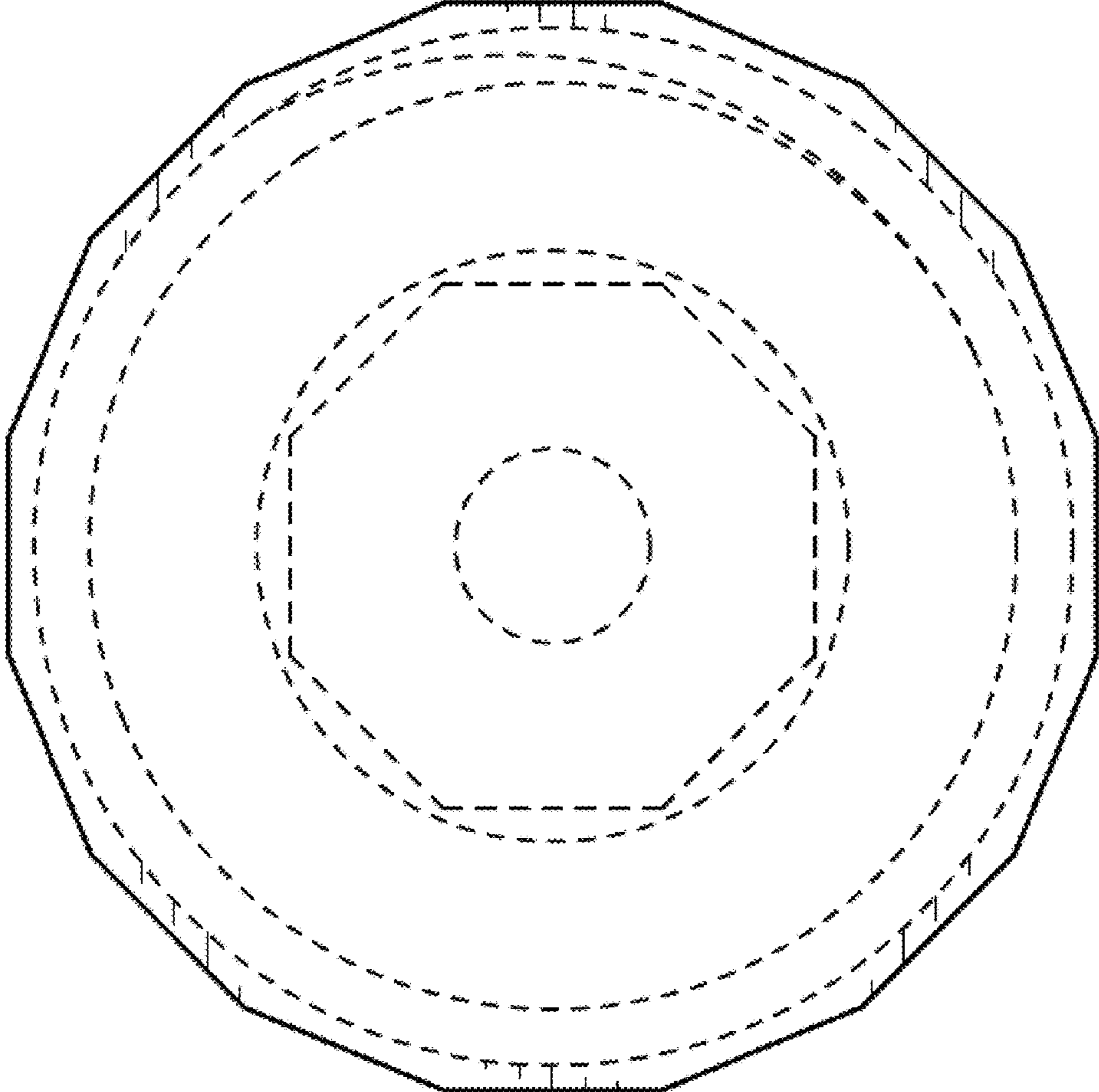


FIG. 3