



US00D834685S

(12) **United States Design Patent**
Gerger

(10) **Patent No.:** **US D834,685 S**

(45) **Date of Patent:** **** Nov. 27, 2018**

(54) **OUTLET**

(71) Applicant: **Foolproof AB**, Knivsta (SE)

(72) Inventor: **Patrik Gerger**, Knivsta (SE)

(73) Assignee: **FOOLPROOF AB**, Knivsta (SE)

(**) Term: **15 Years**

(21) Appl. No.: **29/579,886**

(22) Filed: **Oct. 4, 2016**

(30) **Foreign Application Priority Data**

Apr. 4, 2016 (EP) 003054865-0003

(51) **LOC (11) Cl.** **23-01**

(52) **U.S. Cl.**
USPC **D23/261**

(58) **Field of Classification Search**

USPC D23/259-261, 262, 208-210, 304, 227,
D23/233-237, 269, 213-214; 210/164,
210/163, 156, 232, 157-159, 162, 165,
210/459-460; 4/222.1, 255.07, 286-294,
4/680-682, 694, 2-4, 295, 609, 650-653,
4/671-674, 490, 496, 541.6, 501, 505,
4/507, 679; 405/42; 239/548, 552,
239/555-556, 558, 592; 137/454.2
CPC ... E03C 1/23; E03C 1/26; E03C 1/262; E03C
1/22; E03C 1/264; E03C 1/03; E03C
1/232; E03C 1/24; E03C 1/28; E03C
1/298; E03F 5/06; E03F 5/0407; E03F
5/052; E03F 5/0404; F15D 1/0005; A47K
1/14; B01D 39/16; F16L 33/227; F16L
33/22; F16L 37/252; F16L 25/0018; F16L
29/007; F16L 31/00; F16K 21/60; F16K
51/00; E03B 7/09

See application file for complete search history.

(56) **References Cited**

U.S. PATENT DOCUMENTS

2,323,224 A * 6/1943 Kuhnle E03C 1/26
4/286
D221,942 S * 9/1971 Halling D23/262
3,914,807 A * 10/1975 Palmer A47K 1/14
4/287
4,103,372 A * 8/1978 Cuschera A47K 1/14
4/286
D261,418 S * 10/1981 Jackson D23/261
D263,163 S * 2/1982 Olde D23/262
D402,354 S * 12/1998 Strong D23/259
6,197,321 B1 * 3/2001 Richter A61L 2/18
4/290
D441,848 S * 5/2001 Huang D23/261
6,363,544 B1 * 4/2002 Ryan A47K 1/14
4/287
6,401,266 B1 * 6/2002 Mitchell E03C 1/281
4/309
D517,664 S * 3/2006 Hill D23/261

(Continued)

Primary Examiner — Eric L Goodman

Assistant Examiner — Amy C Wierenga

(74) *Attorney, Agent, or Firm* — Fox Rothschild LLP

(57) **CLAIM**

The ornamental design for an outlet, as shown and described.

DESCRIPTION

FIG. 1 is a perspective view of an outlet according to the new design;

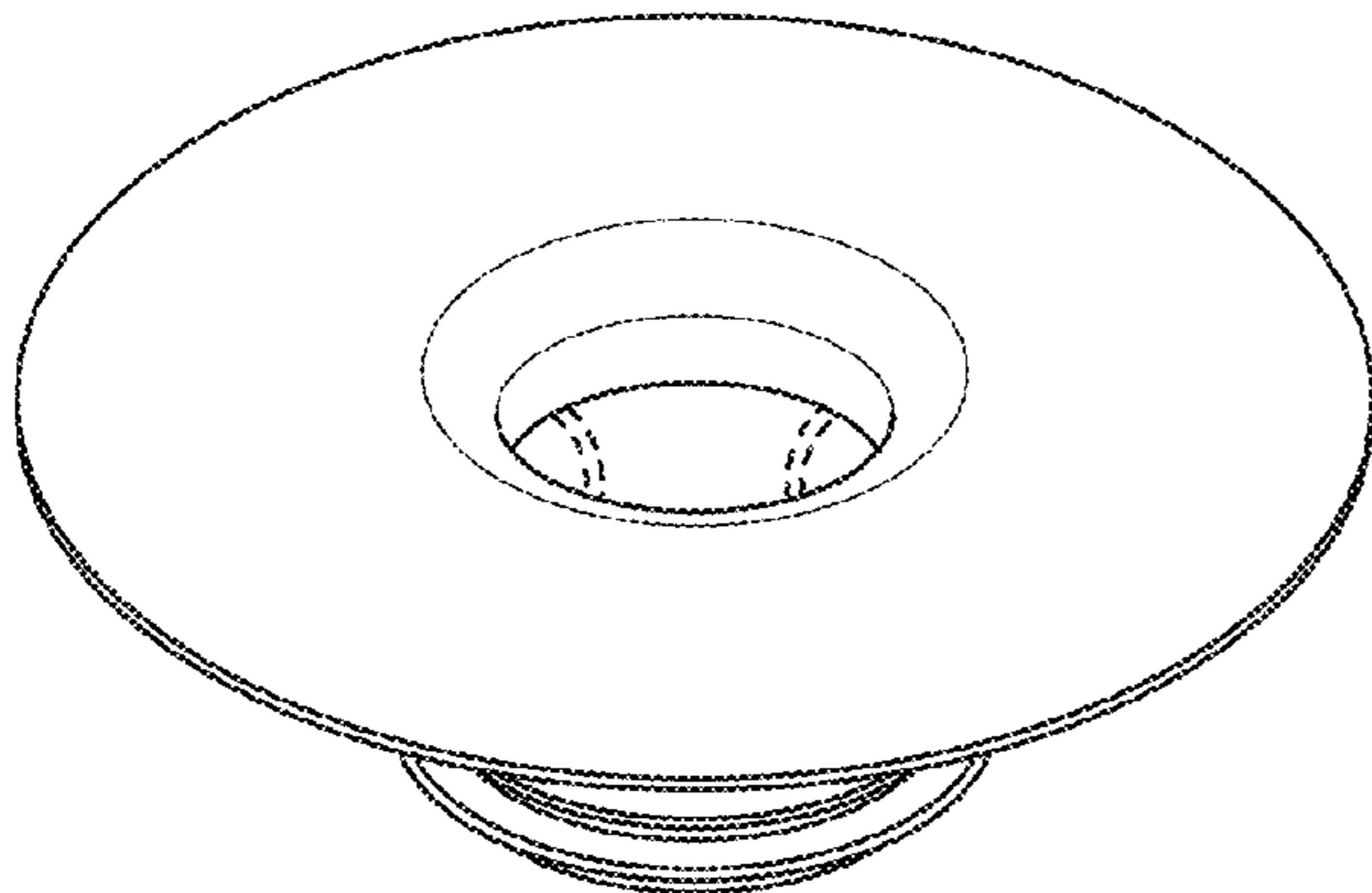
FIG. 2 is a side view thereof;

FIG. 3 is a top plan view thereof; and,

FIG. 4 is a bottom view thereof.

The dashed broken lines depict portions of the outlet that form no part of the claim.

1 Claim, 2 Drawing Sheets



(56)

References Cited

U.S. PATENT DOCUMENTS

7,032,254 B1 * 4/2006 Dong A47K 1/14
4/287
D624,631 S * 9/2010 Cantrill D23/261
D657,848 S * 4/2012 Howson D23/261
D722,680 S * 2/2015 Kang D23/261
D811,558 S * 2/2018 Howson D23/261
2007/0033725 A1 * 2/2007 Holtsnider A61H 33/027
4/541.6
2008/0022455 A1 * 1/2008 McAlpine E03C 1/20
4/679
2009/0007329 A1 * 1/2009 Hackett E03C 1/232
4/679
2010/0024107 A1 * 2/2010 Stimpson E03C 1/22
4/293
2012/0036632 A1 * 2/2012 Cook E03F 5/0408
4/679
2012/0261355 A1 * 10/2012 Curt B01D 29/21
210/767
2013/0327696 A1 * 12/2013 Bagci F02M 37/22
210/232
2014/0157514 A1 * 6/2014 Cook E03F 5/0408
4/679
2014/0325748 A1 * 11/2014 Ball E03C 1/262
4/287
2017/0121953 A1 * 5/2017 Benesh E03C 1/298

* cited by examiner

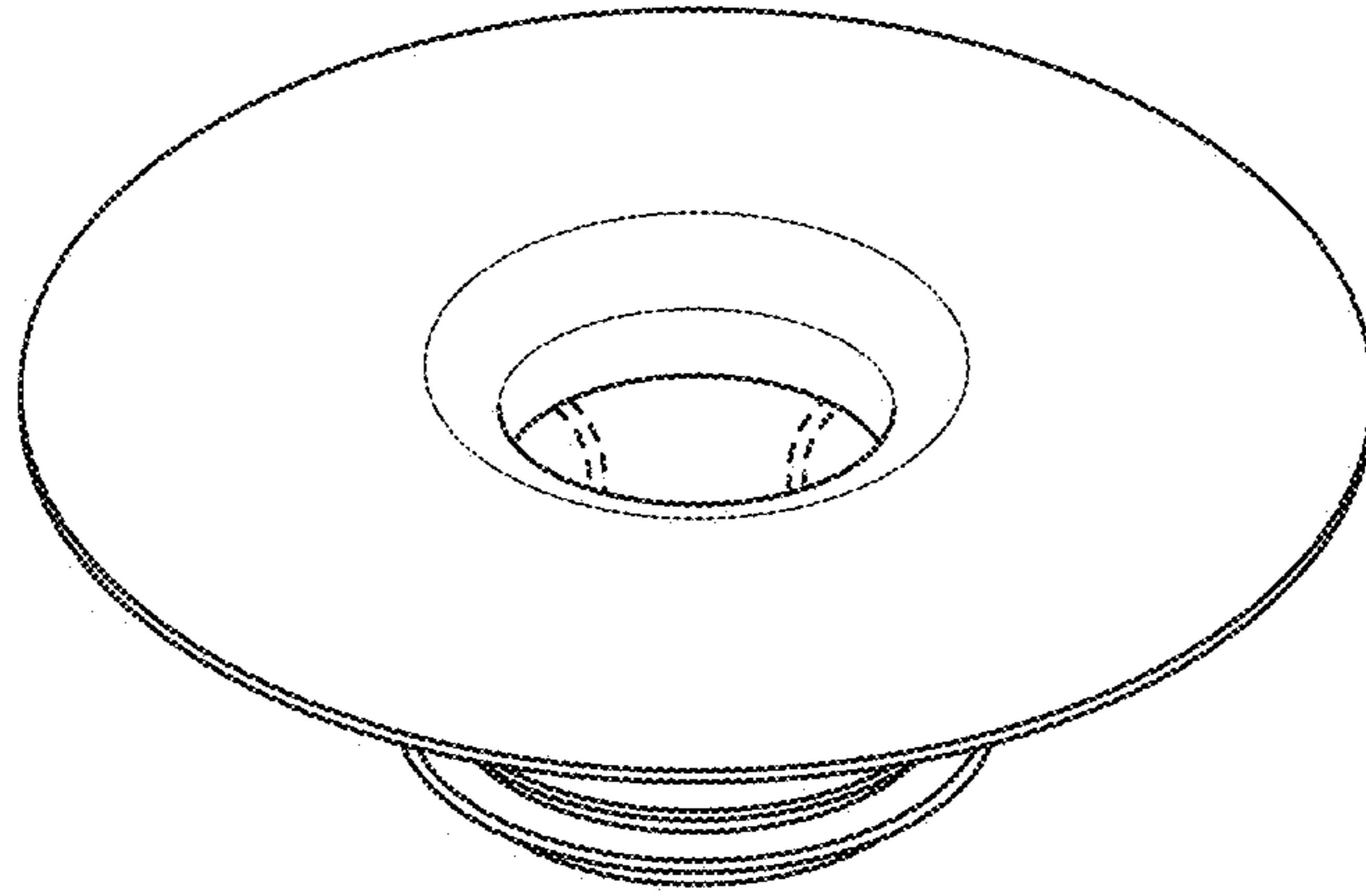


FIG. 1



FIG. 2

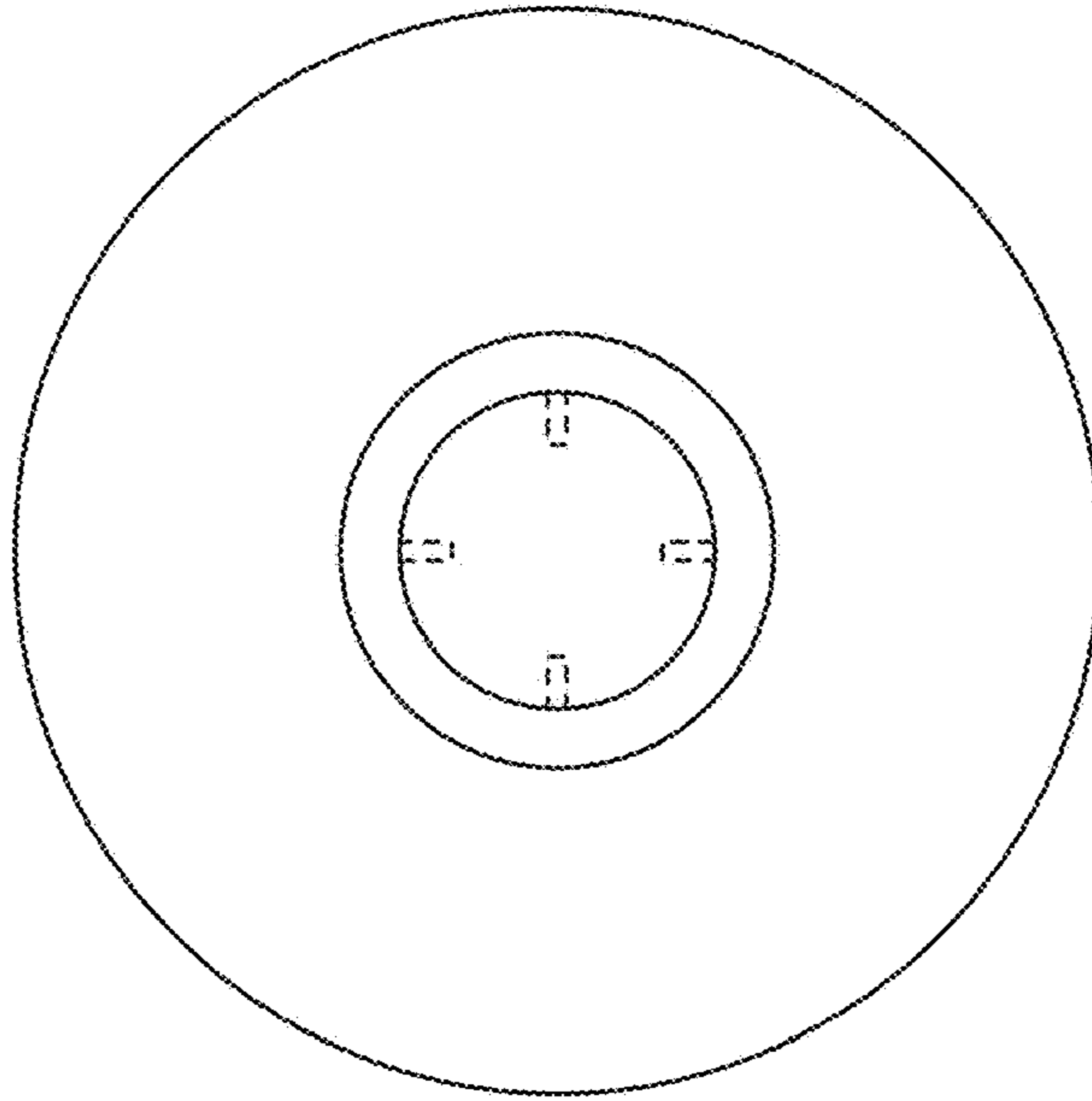


FIG. 3

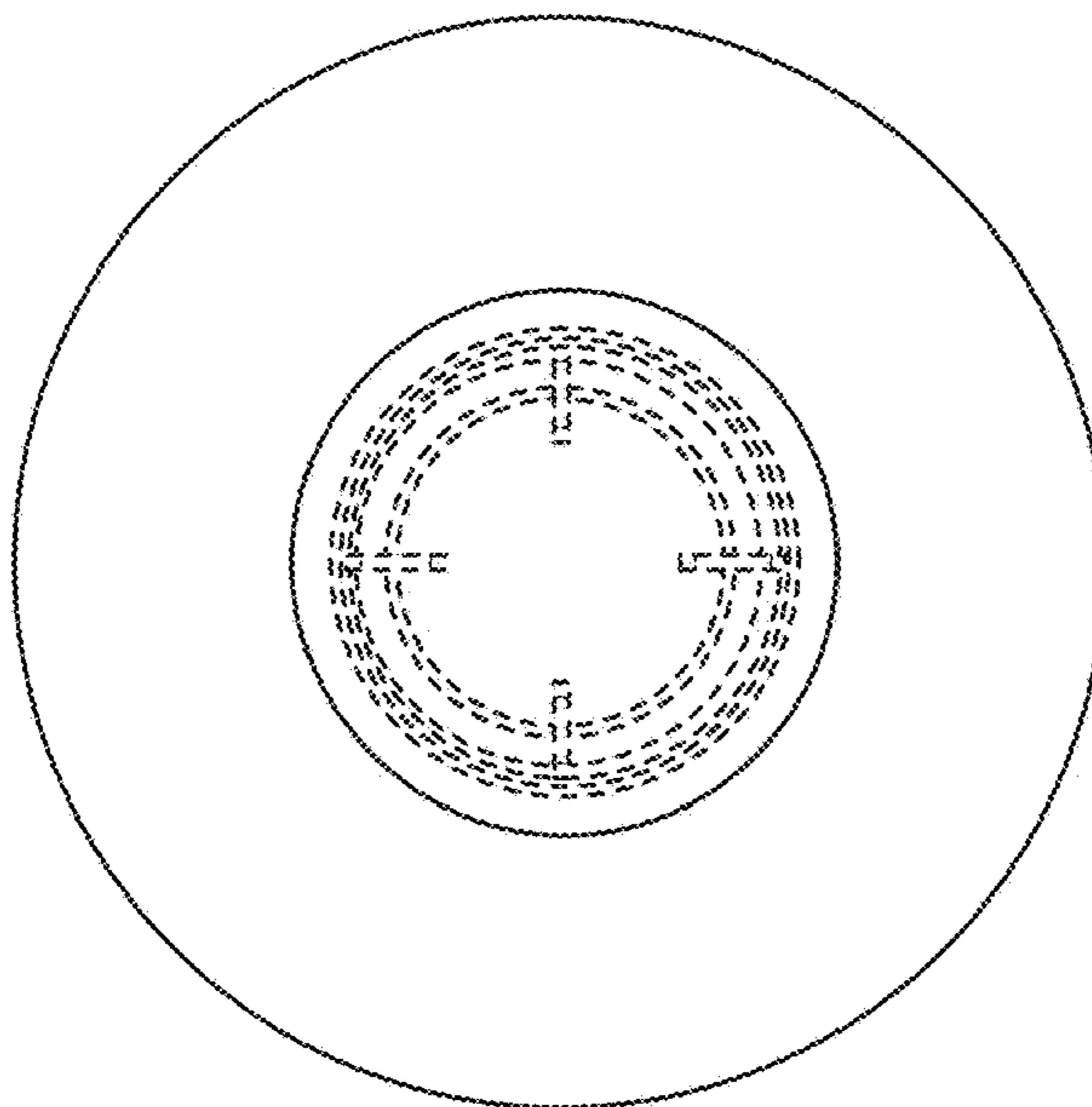


FIG. 4