



US00D834684S

(12) **United States Design Patent**
Gessi

(10) **Patent No.:** **US D834,684 S**

(45) **Date of Patent:** **** Nov. 27, 2018**

(54) **FAUCET**

(71) Applicant: **GESSI S.P.A.**, Serravalle Sesia, Vercelli (IT)

(72) Inventor: **Gian Luca Gessi**, Serravalle Sesia (IT)

(73) Assignee: **GESSI S.P.A.**, Serravalle Sesia (IT)

(**) Term: **15 Years**

(21) Appl. No.: **35/502,417**

(22) Filed: **Aug. 8, 2016**

(80) **Hague Agreement Data**

Int. Filing Date: **Aug. 8, 2016**

Int. Reg. No.: **DM/092532**

Int. Reg. Date: **Aug. 8, 2016**

Int. Reg. Pub. Date: **Feb. 10, 2017**

(51) **LOC (11) Cl.** **23-01**

(52) **U.S. Cl.**
USPC **D23/238**

(58) **Field of Classification Search**
USPC D23/233, 238, 239, 241–243, 245,
D23/248–250, 255, 257; 261/DIG. 22;
239/428.5, 437
CPC E03C 1/04; E03C 1/0401; E03C 1/0402;
E03C 1/0404
See application file for complete search history.

(56) **References Cited**

U.S. PATENT DOCUMENTS

D556,863 S * 12/2007 Demmer D23/235
D659,800 S * 5/2012 Flowers D23/241

D690,393 S * 9/2013 Gessi D23/238
D708,709 S * 7/2014 Yu D23/238
D713,506 S * 9/2014 Fritz D23/238
D726,880 S * 4/2015 Kington D23/238
D767,721 S * 9/2016 Yoshioka D23/238
D771,224 S * 11/2016 Flowers D23/238
D796,636 S * 9/2017 Downey D23/238
D799,642 S * 10/2017 Sieger D23/238
D803,356 S * 11/2017 Lucchese D23/238

* cited by examiner

Primary Examiner — Keli L Hill

(74) *Attorney, Agent, or Firm* — Underwood & Associates, LLC

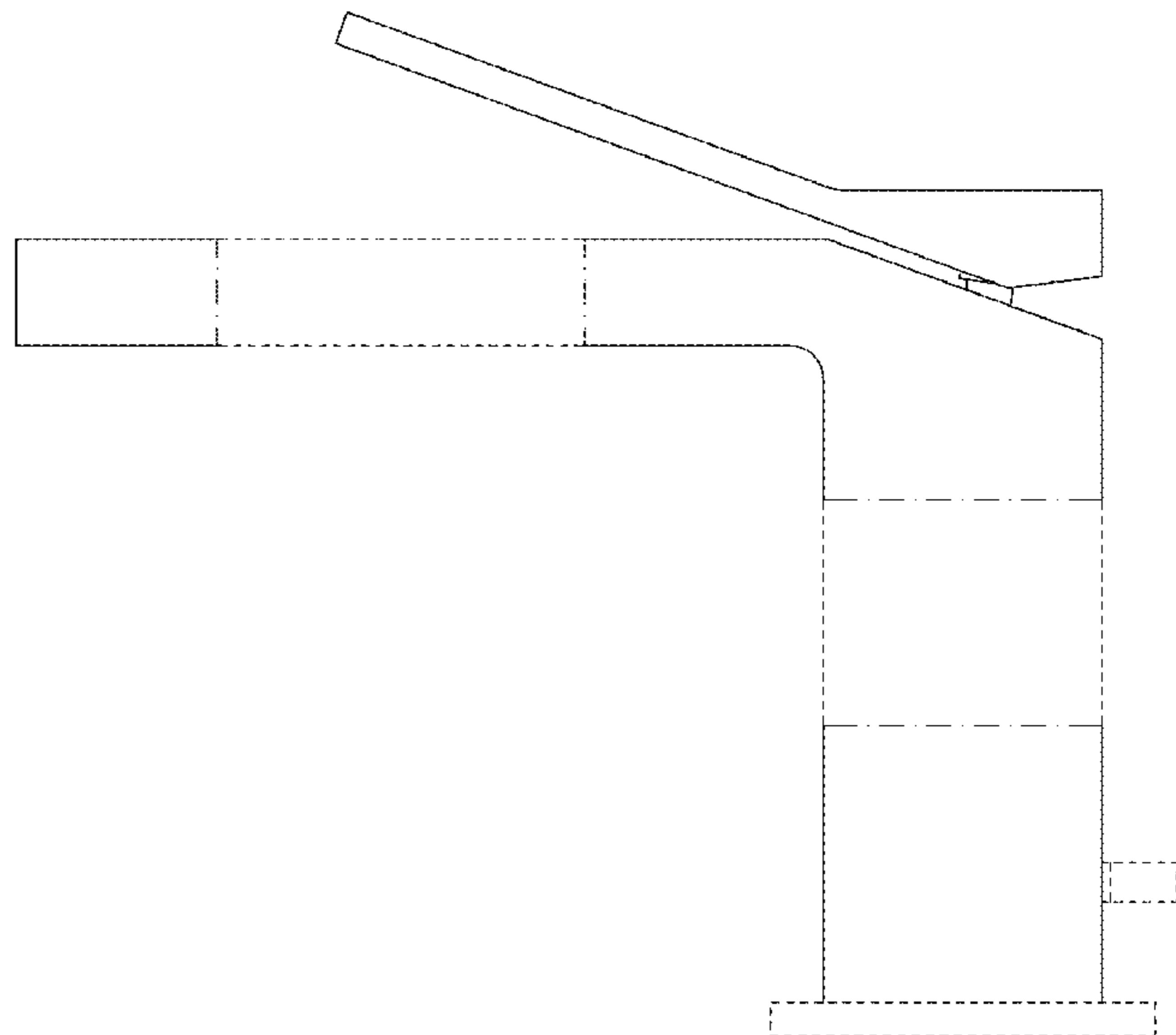
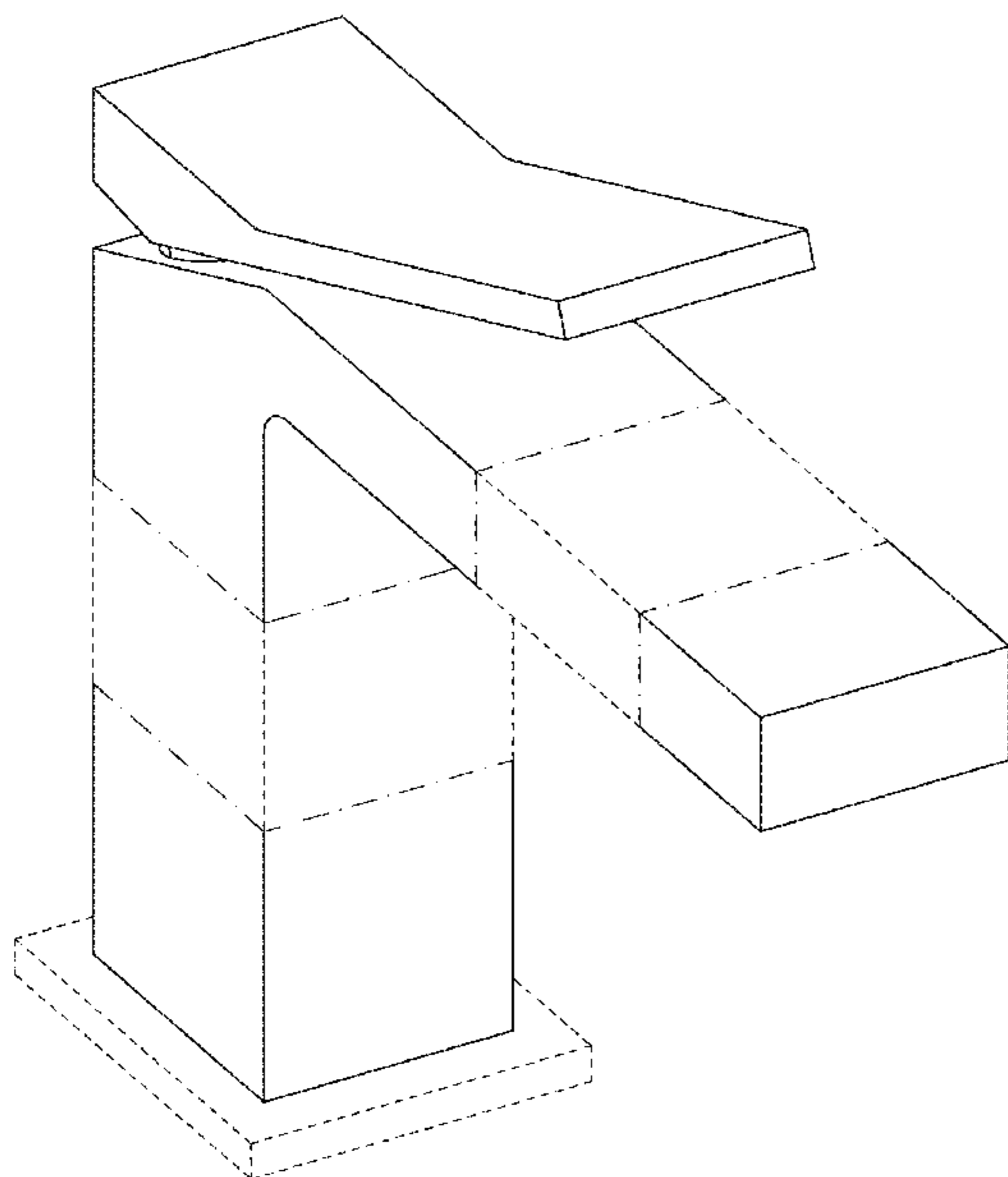
(57) **CLAIM**

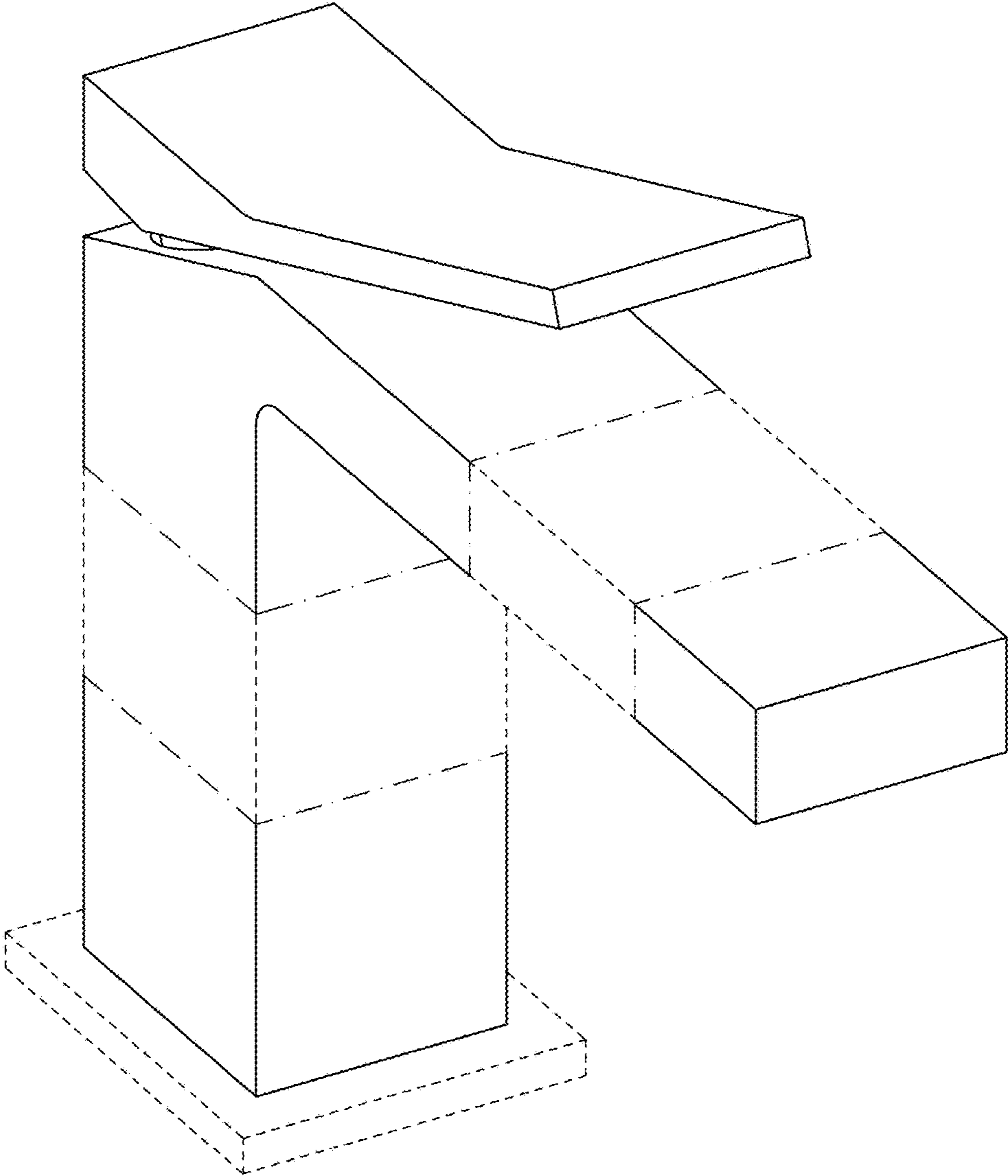
The ornamental design for a faucet, as shown and described.

DESCRIPTION

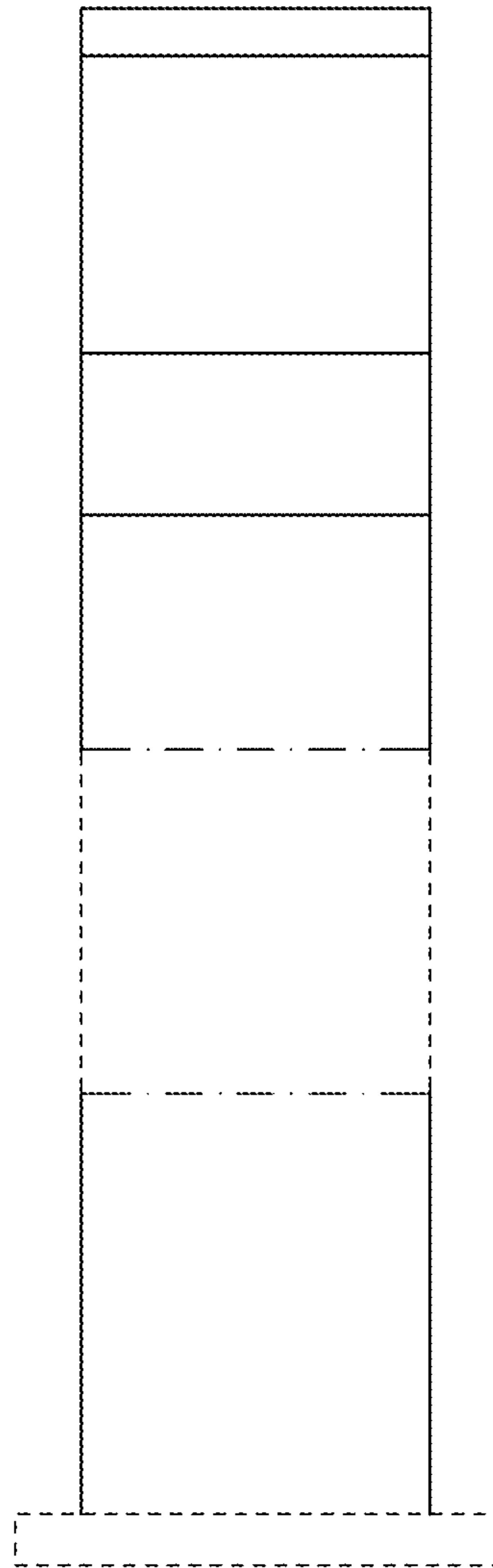
1. Faucet
2. Handle for faucet
3. Faucet
FIG. 3.1 is a top, front and left side perspective view of a faucet showing my new design;
FIG. 3.2 is a front elevation view thereof;
FIG. 3.3 is a top plan view thereof;
FIG. 3.4 is a right side elevation view thereof;
FIG. 3.5 is a bottom plan view thereof;
FIG. 3.6 is a left elevation view thereof; and
FIG. 3.7 is a rear elevation view thereof.
The dot-dash-dot broken lines represent the bounds of the claim while all other broken lines are included for the purpose of illustrating portions of the faucet; the broken lines form no part of the claimed design.

1 Claim, 7 Drawing Sheets

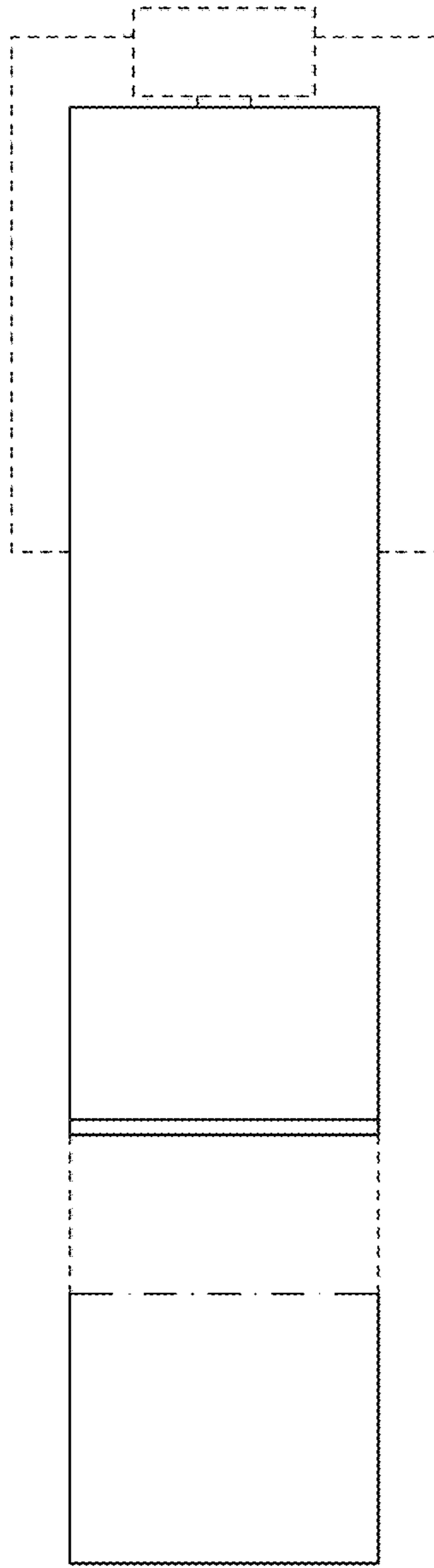




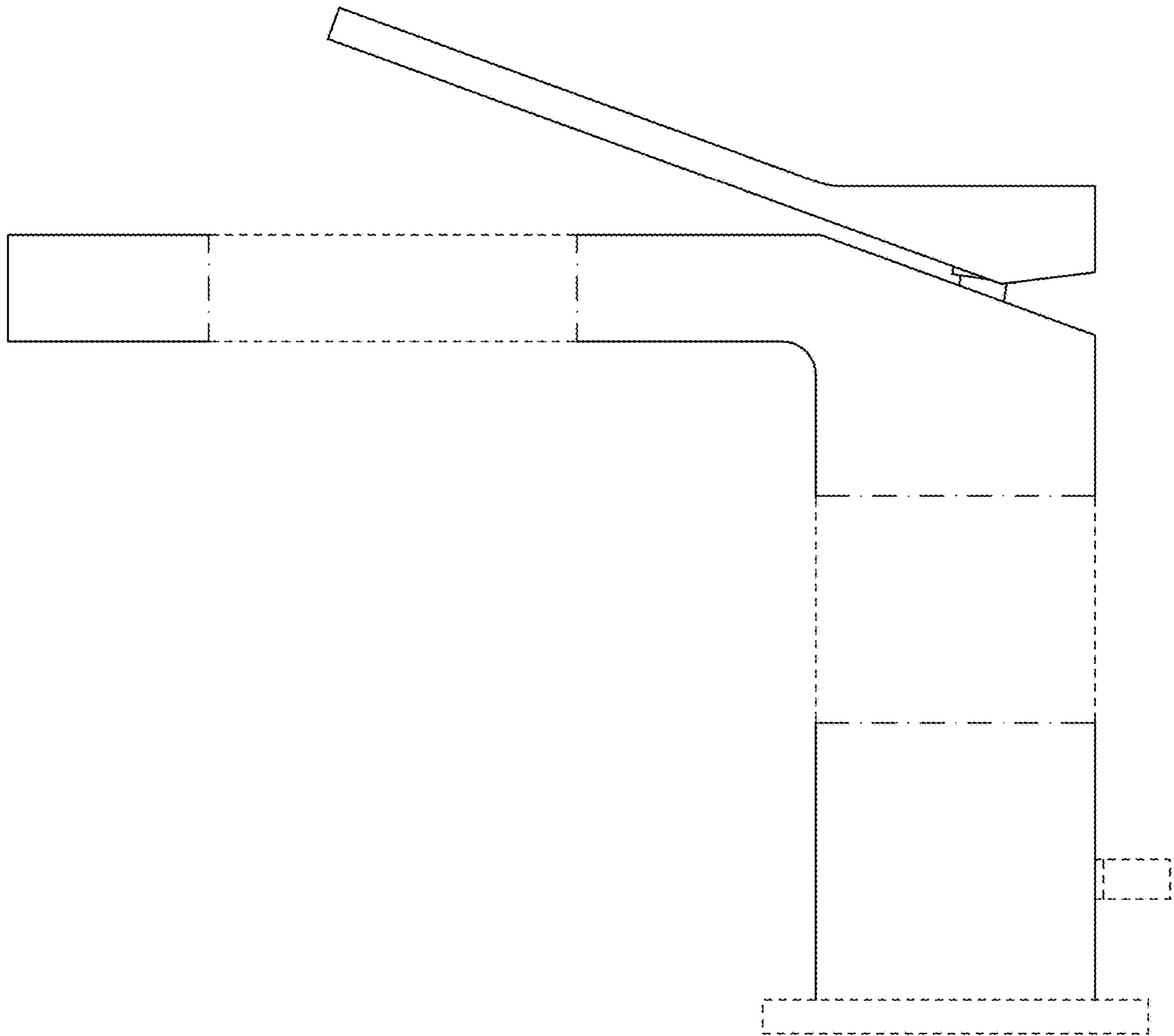
3.1



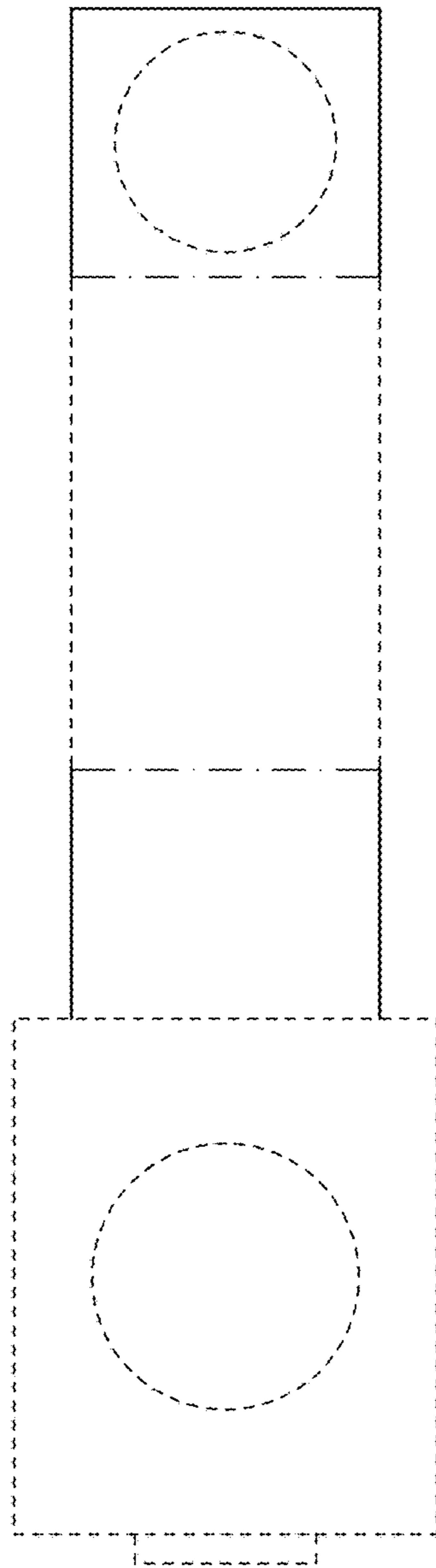
3.2



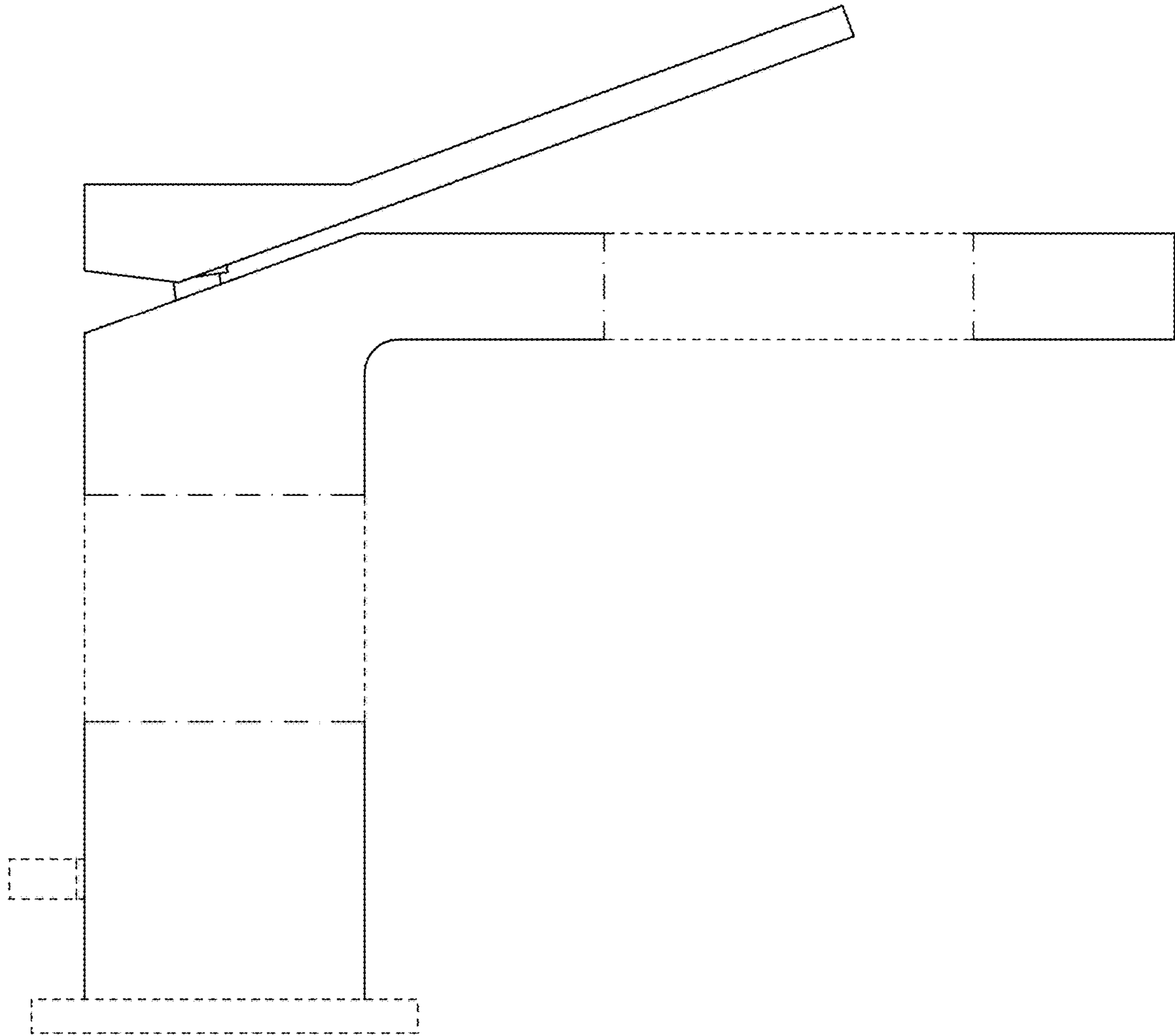
3.3



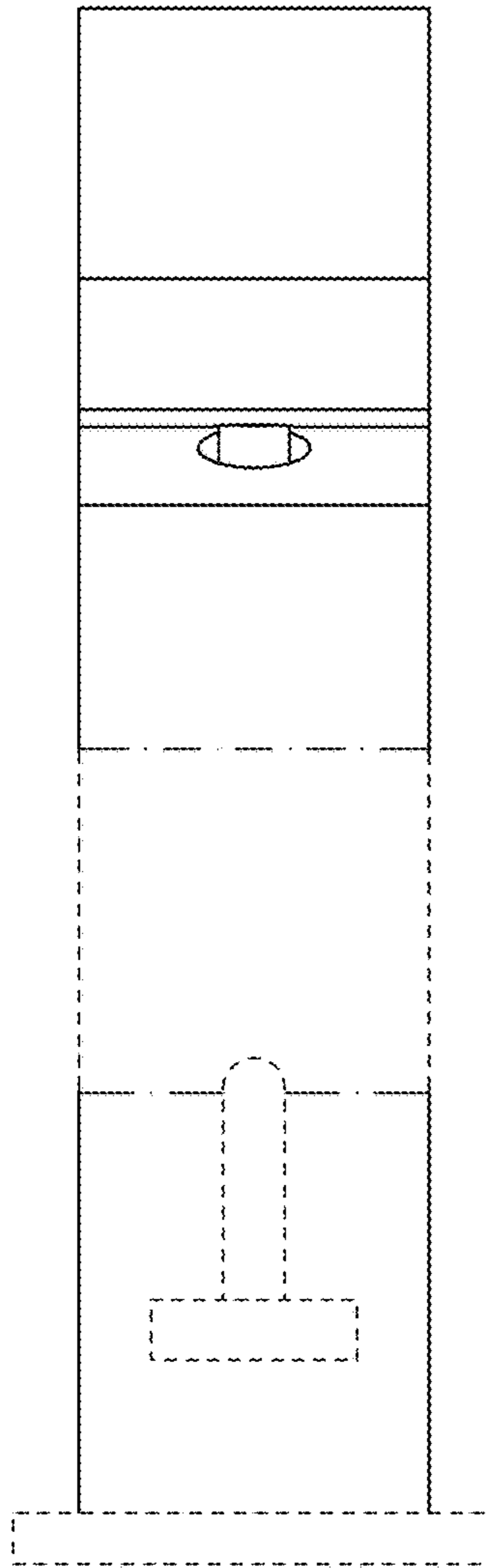
3.4



3.5



3.6



3.7