



US00D834683S

(12) **United States Design Patent**
Schoenherr et al.

(10) **Patent No.:** **US D834,683 S**

(45) **Date of Patent:** **** Nov. 27, 2018**

(54) **WALL MOUNTED FAUCET**

(71) Applicant: **Hansgrohe SE**, Schiltach (DE)

(72) Inventors: **Tom Schoenherr**, Stuttgart (DE);
Andreas Diefenbach,
Ludwigsburg-Oßweil (DE); **Marc**
Michalak, Kornwestheim (DE)

(73) Assignee: **Hansgrohe SE**, Schiltach (DE)

(**) Term: **15 Years**

(21) Appl. No.: **29/611,135**

(22) Filed: **Jul. 19, 2017**

(30) **Foreign Application Priority Data**

Jan. 26, 2017 (EM) 001456776-0003

(51) **LOC (11) Cl.** **23-01**

(52) **U.S. Cl.**
USPC **D23/238**

(58) **Field of Classification Search**
USPC D23/238, 241–243, 249–250, 252, 255,
D23/257; D8/307–308
CPC E03C 1/04; E03C 1/0401; E03C 1/0402;
E03C 1/0404; E03C 1/042; Y10T
137/9464
See application file for complete search history.

(56) **References Cited**

U.S. PATENT DOCUMENTS

D617,425 S * 6/2010 Lammel D23/255
D647,179 S * 10/2011 Flowers D23/255

D665,882 S * 8/2012 Flowers D23/252
D704,304 S * 5/2014 Schoenherr D23/238
D782,618 S * 3/2017 Hong D23/252
D791,919 S * 7/2017 Schoenherr D23/238

FOREIGN PATENT DOCUMENTS

CN 302031650 8/2012
CN 302082439 9/2012
EM 000775804-0003 8/2007

* cited by examiner

Primary Examiner — Robert A Delehanty

(74) *Attorney, Agent, or Firm* — Lora J. Graentzdoerffer

(57) **CLAIM**

The ornamental design for a wall mounted faucet, as shown and described.

DESCRIPTION

FIG. 1 is a perspective view;
FIG. 2 is a front elevation view;
FIG. 3 is a rear elevation view;
FIG. 4 is a right side elevation view;
FIG. 5 is a left elevation view;
FIG. 6 is a top plan view; and,
FIG. 7 is a bottom pin view.

The broken lines indicate portions of the wall mounted faucet which form no part of the claimed design.

1 Claim, 7 Drawing Sheets

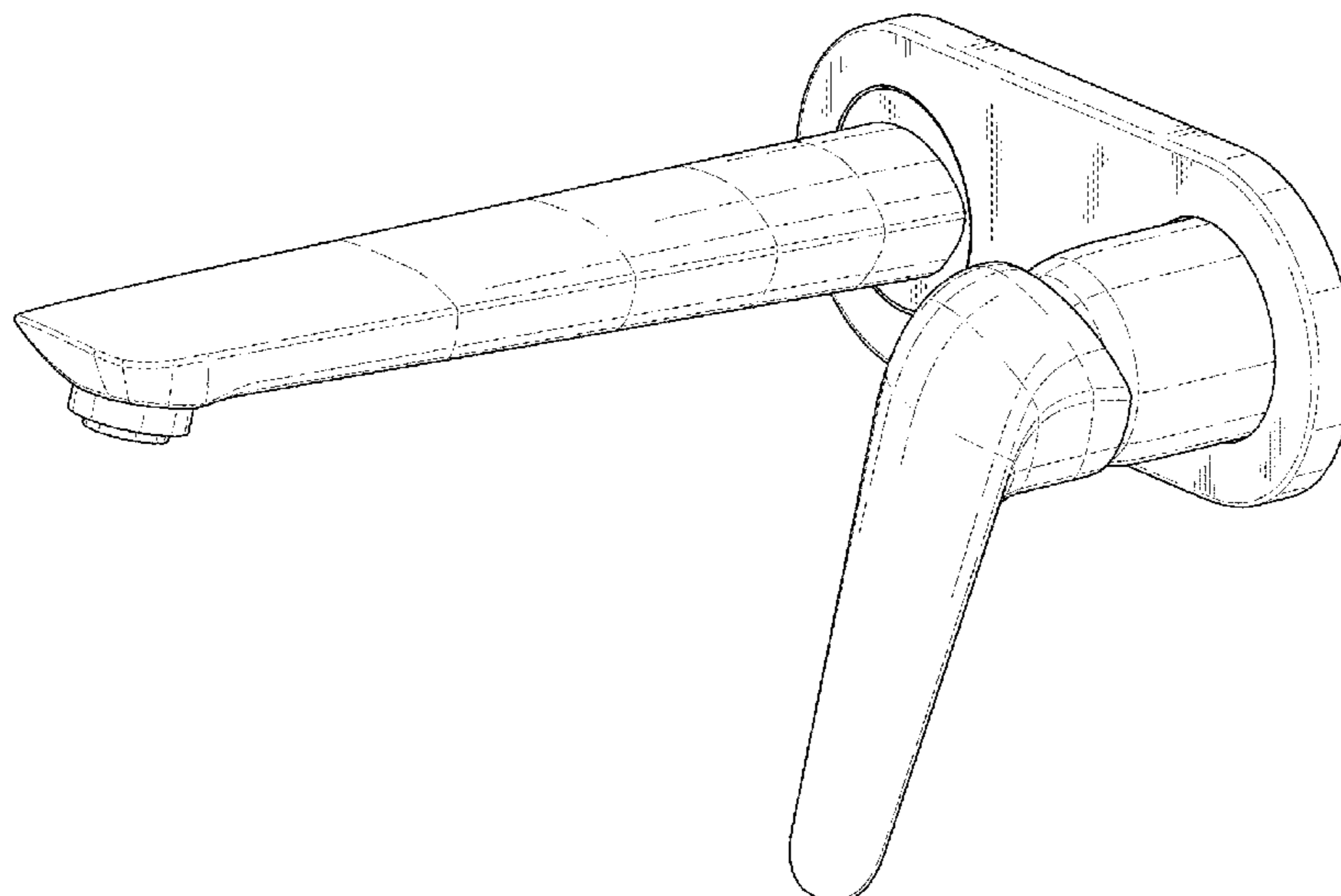


FIG. 1

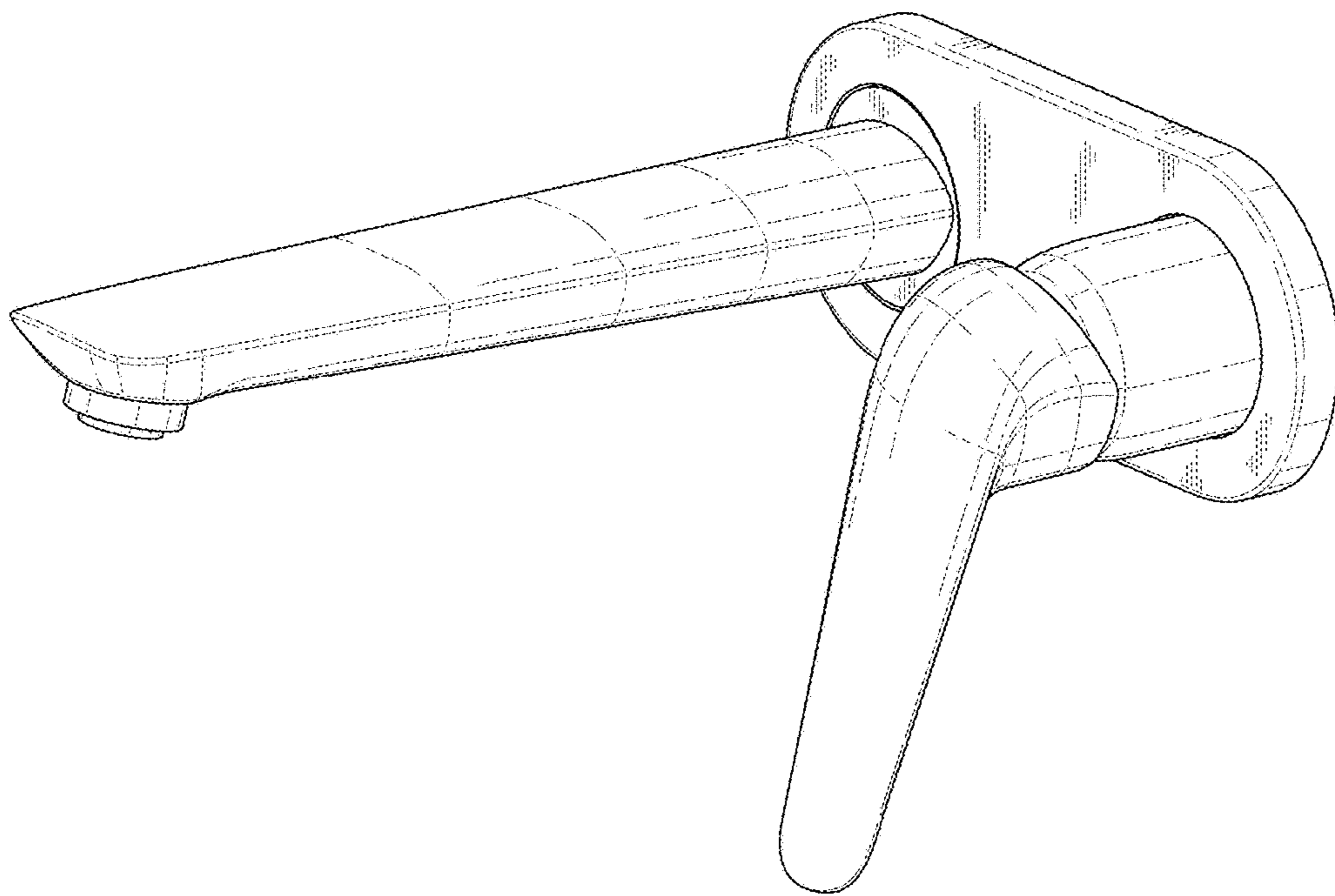


FIG. 2

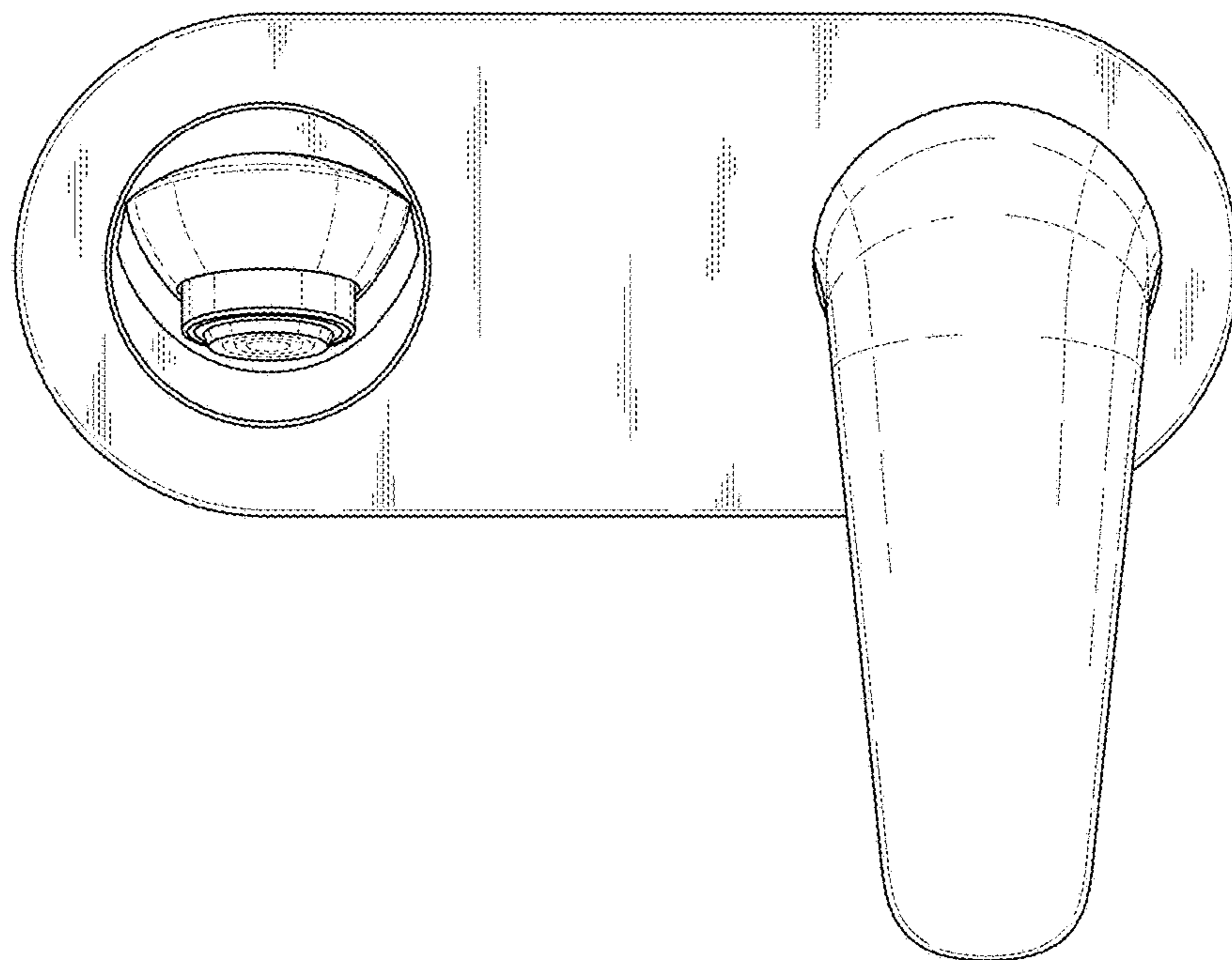


FIG. 3

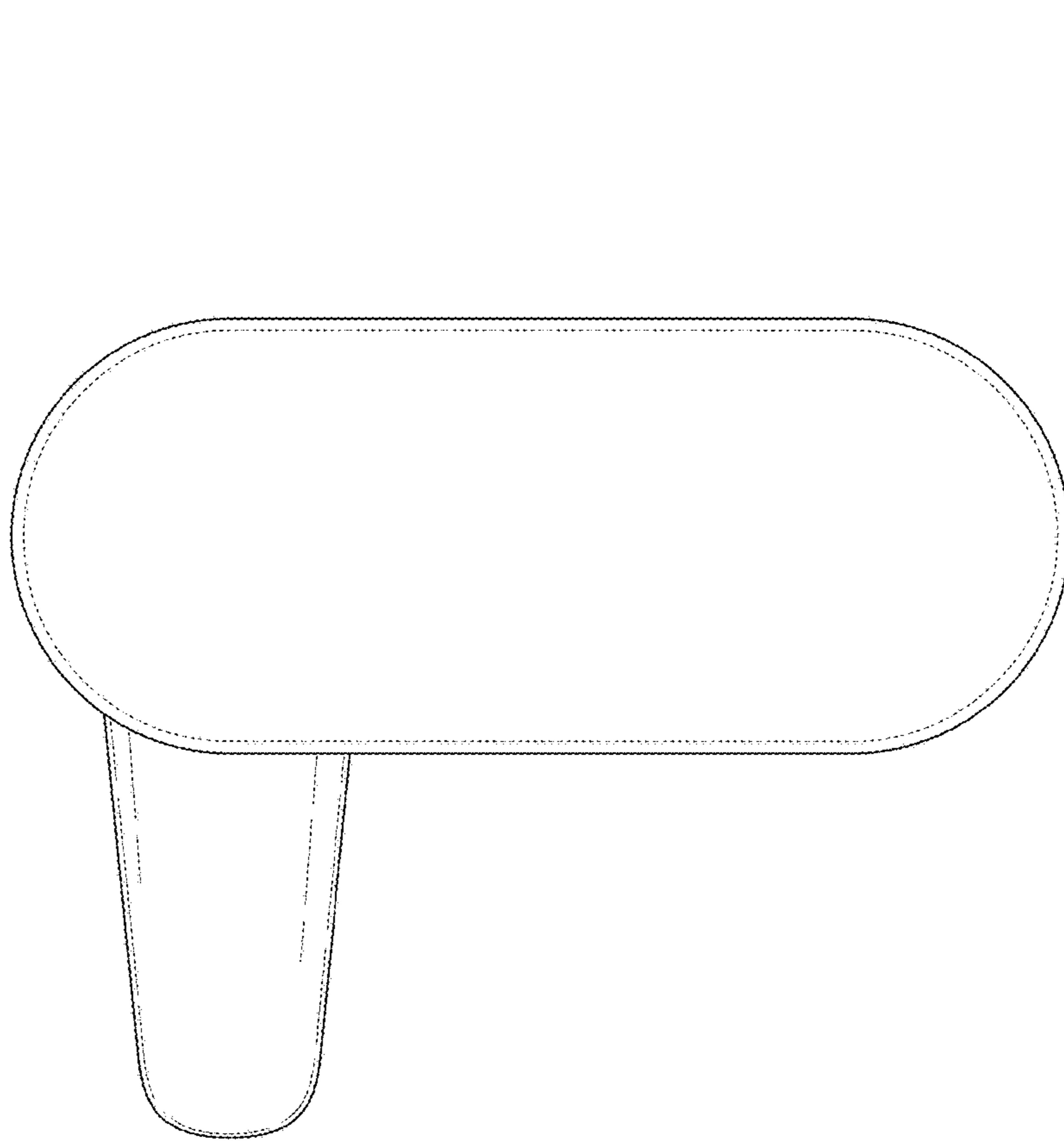


FIG. 4

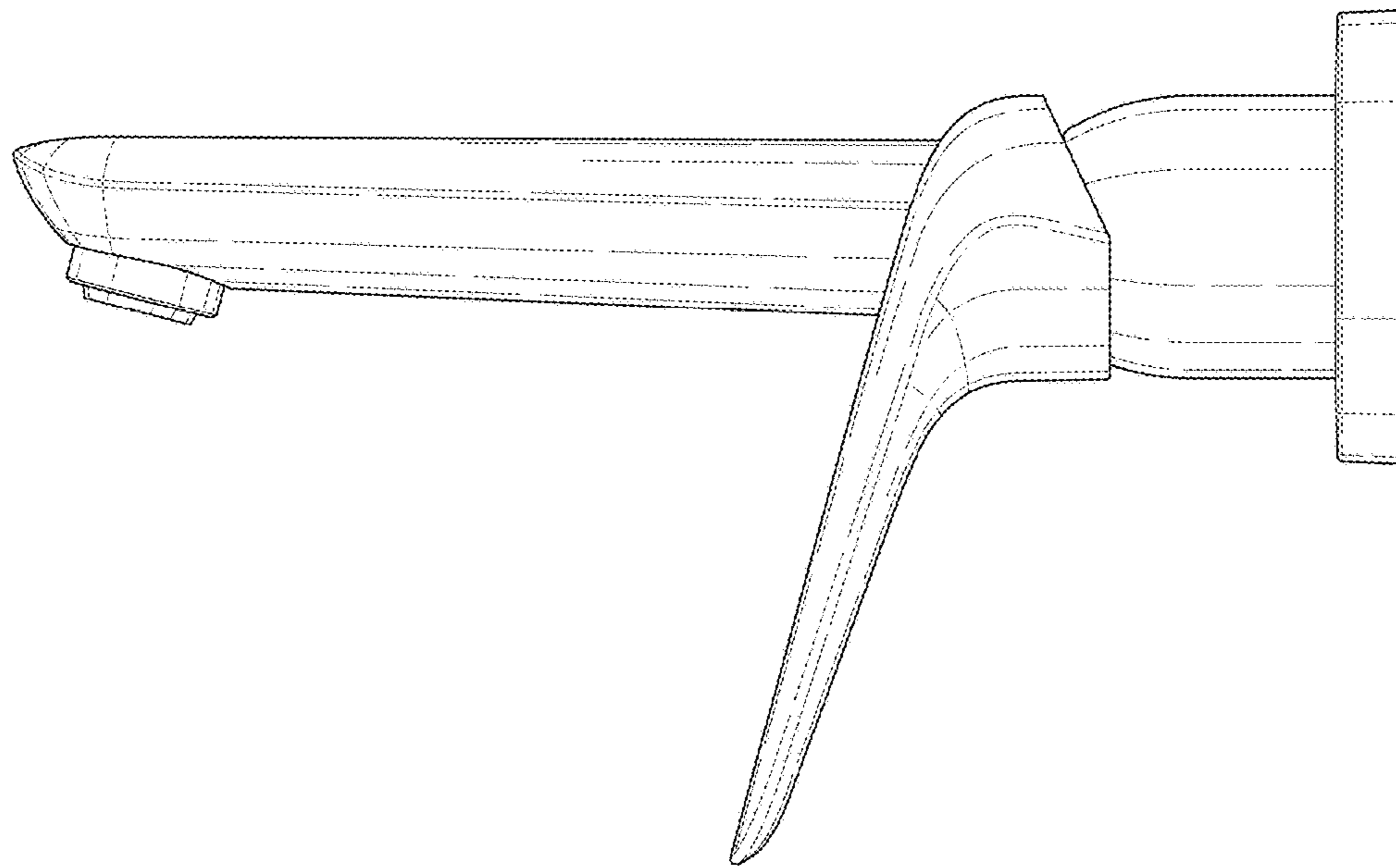


FIG. 5

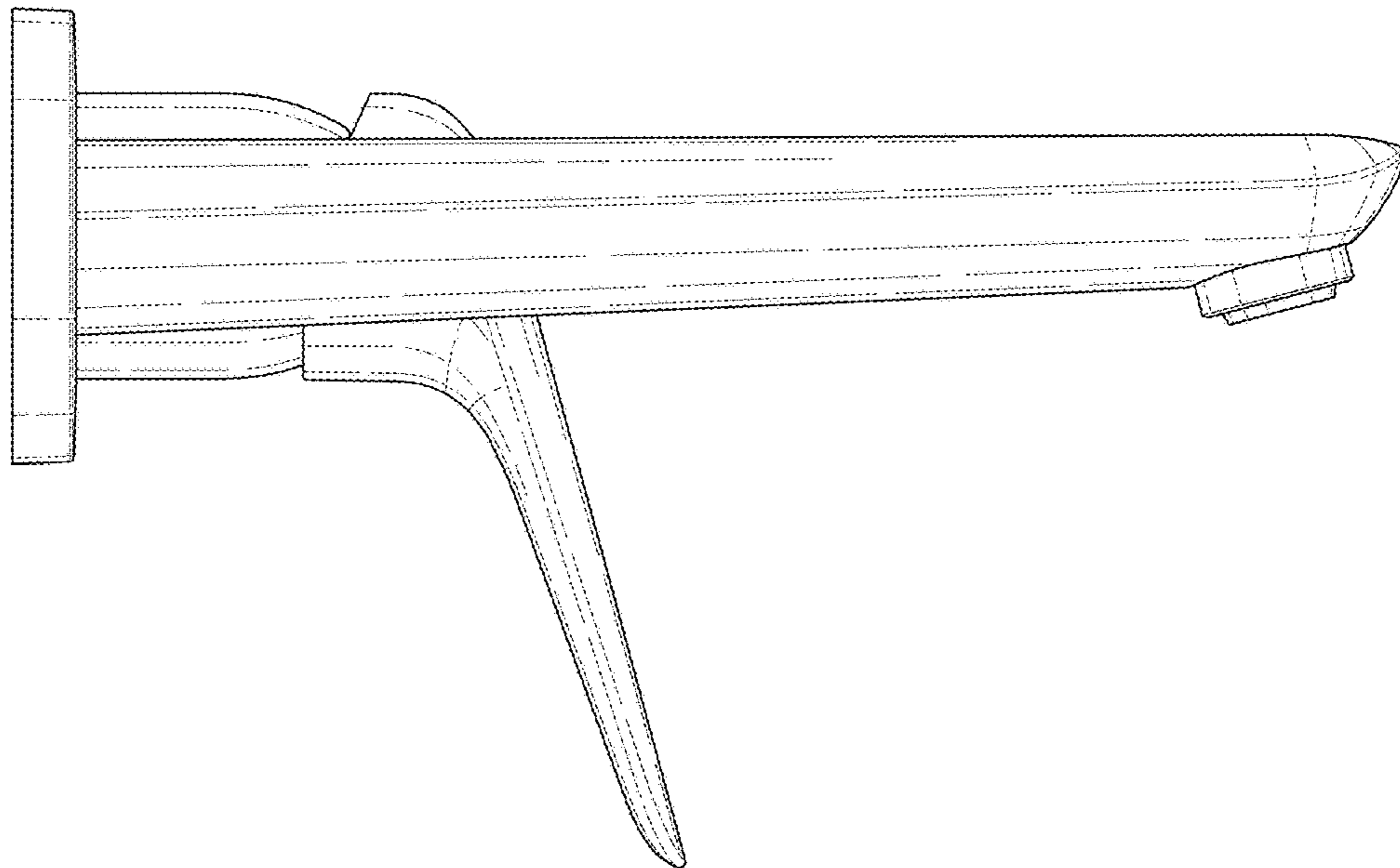


FIG. 6

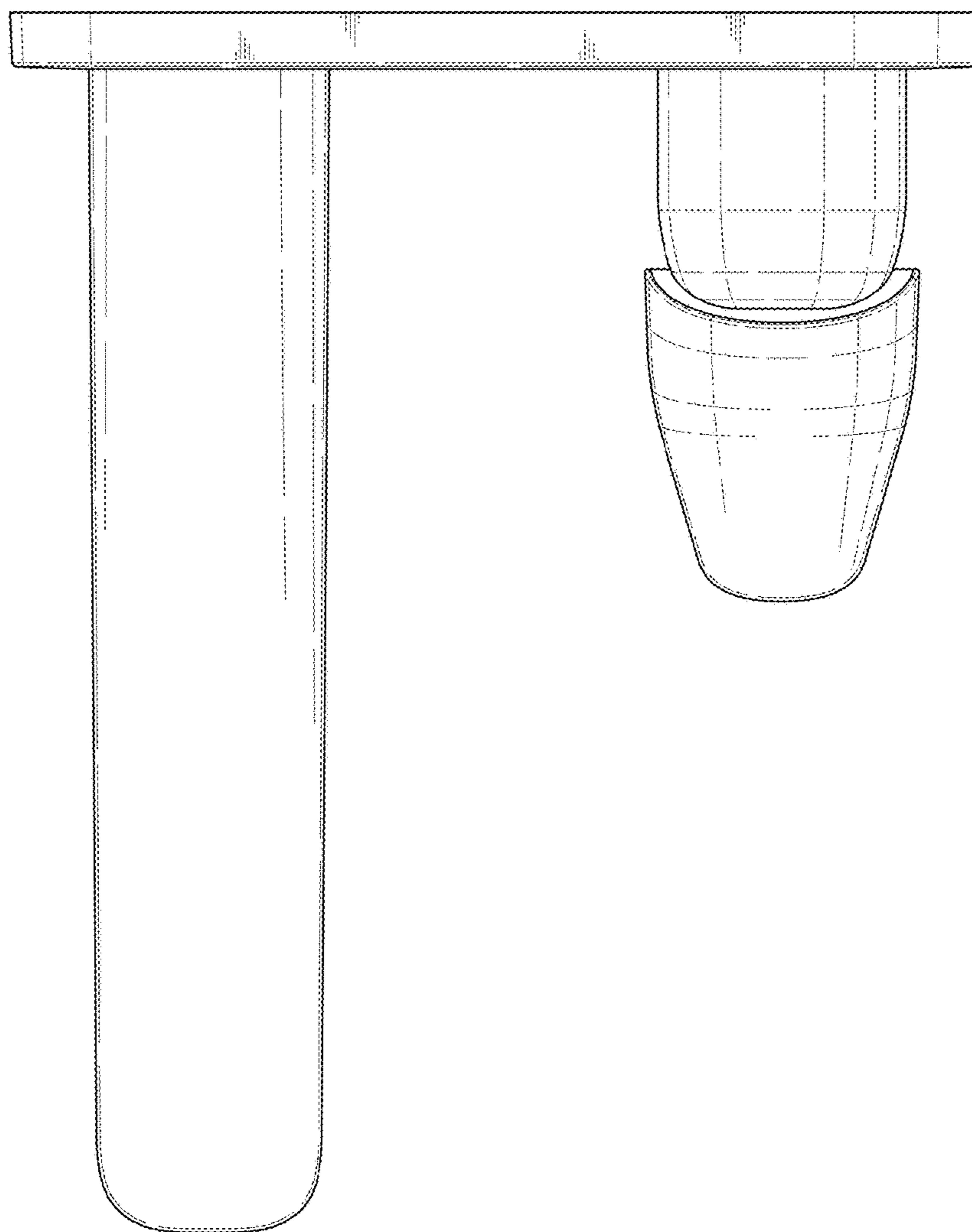


FIG. 7

