



US00D834682S

(12) **United States Design Patent**
Liao et al.

(10) **Patent No.:** **US D834,682 S**

(45) **Date of Patent:** **** Nov. 27, 2018**

(54) **INFLATOR**

(71) Applicants: **Ying-Chieh Liao**, Taichung (TW);
Yu-Kuo Liao, Taichung (TW)

(72) Inventors: **Ying-Chieh Liao**, Taichung (TW);
Yu-Kuo Liao, Taichung (TW)

(**) Term: **15 Years**

(21) Appl. No.: **29/609,099**

(22) Filed: **Jun. 28, 2017**

(51) **LOC (11) Cl.** **15-02**

(52) **U.S. Cl.**
USPC **D23/231**

(58) **Field of Classification Search**
USPC D23/231, 232; 141/38, 39; 417/571,
417/437, 415; 152/415
CPC F04B 7/003; F04B 7/0208; F04B 7/025;
F04B 7/0225; F04B 7/0015
See application file for complete search history.

(56) **References Cited**

U.S. PATENT DOCUMENTS

970,435 A * 9/1910 Dourte A61M 1/0005
417/437
D170,387 S * 9/1953 Russell D23/231
D323,876 S * 2/1992 Furusawa D23/231
D351,896 S * 10/1994 Sundheim D15/7

D452,726 S * 1/2002 Tsai D23/231
D510,124 S * 9/2005 Hunt D23/231
7,073,545 B2 * 7/2006 Smith B60P 7/065
137/228
D596,202 S * 7/2009 van der Blom D10/86
D759,201 S * 6/2016 Wu D15/7

* cited by examiner

Primary Examiner — Robin V Webster

(74) *Attorney, Agent, or Firm* — Muncy, Geissler, Olds & Lowe, P.C.

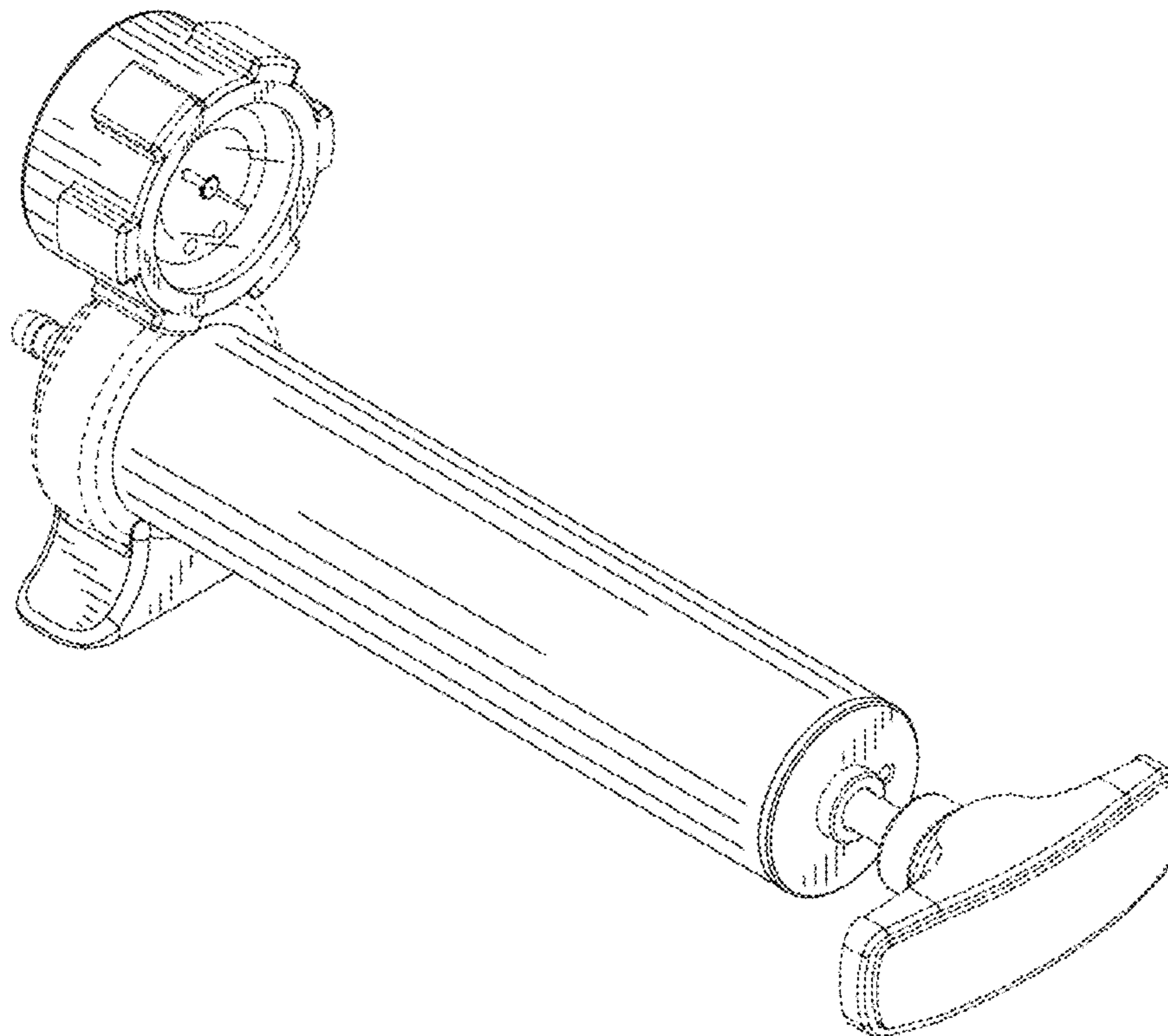
(57) **CLAIM**

We claim the ornamental design for an inflator, as shown and described.

DESCRIPTION

FIG. 1 is a front, right, top perspective view of an inflator showing our new design;
FIG. 2 is a front elevational view thereof;
FIG. 3 is a rear elevational view thereof;
FIG. 4 is a left side view thereof;
FIG. 5 is a right side view thereof;
FIG. 6 is a top plan view thereof;
FIG. 7 is a bottom plan view thereof; and,
FIG. 8 is a rear, left, top perspective view.
The broken lines in the drawings illustrate portions of the inflator which form no part of the claimed design.
The dot-dashed line in the figures defines the boundary of claimed and unclaimed objects, and the dot-dashed line forms no part of the claimed design.

1 Claim, 7 Drawing Sheets



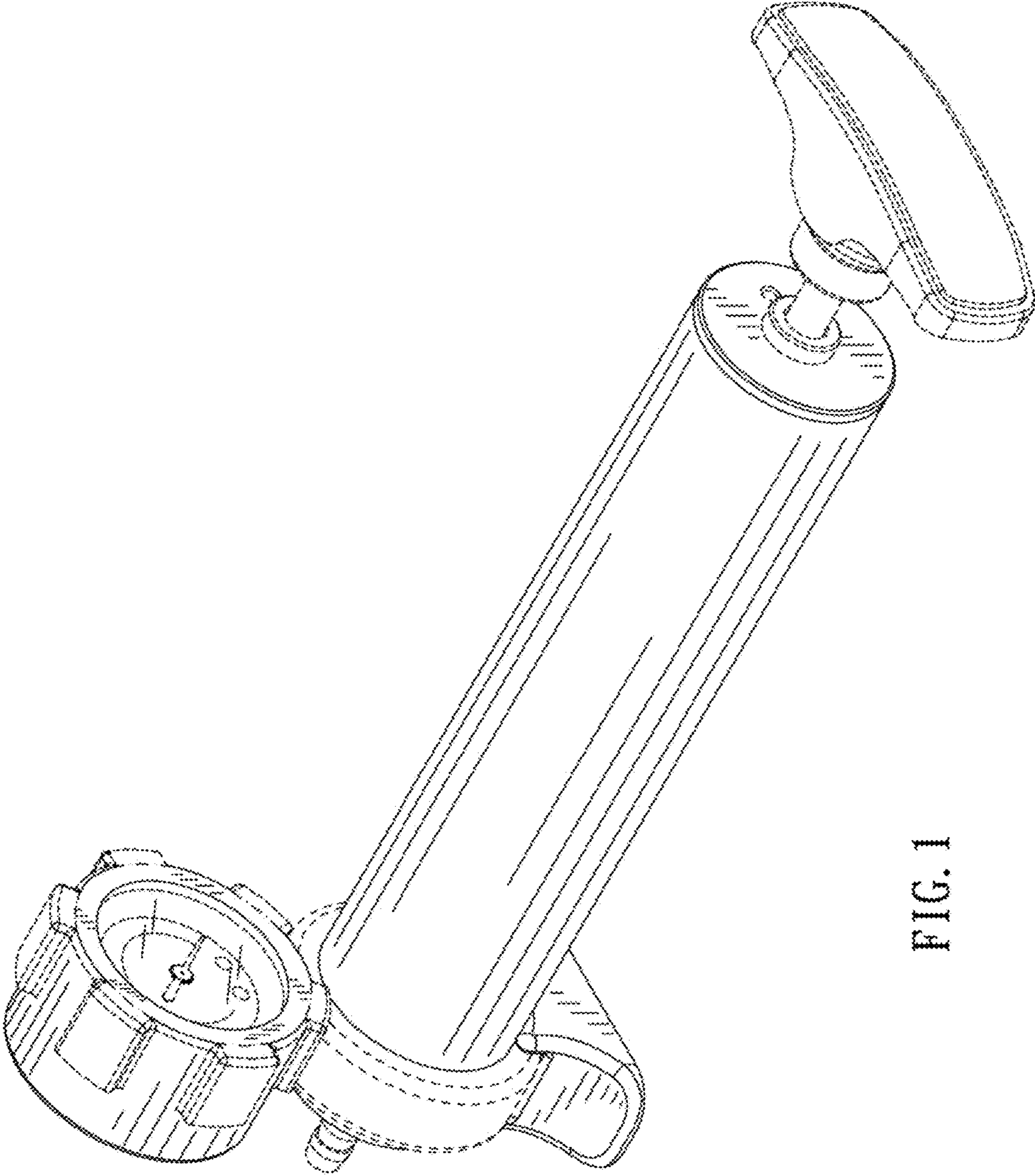


FIG. 1

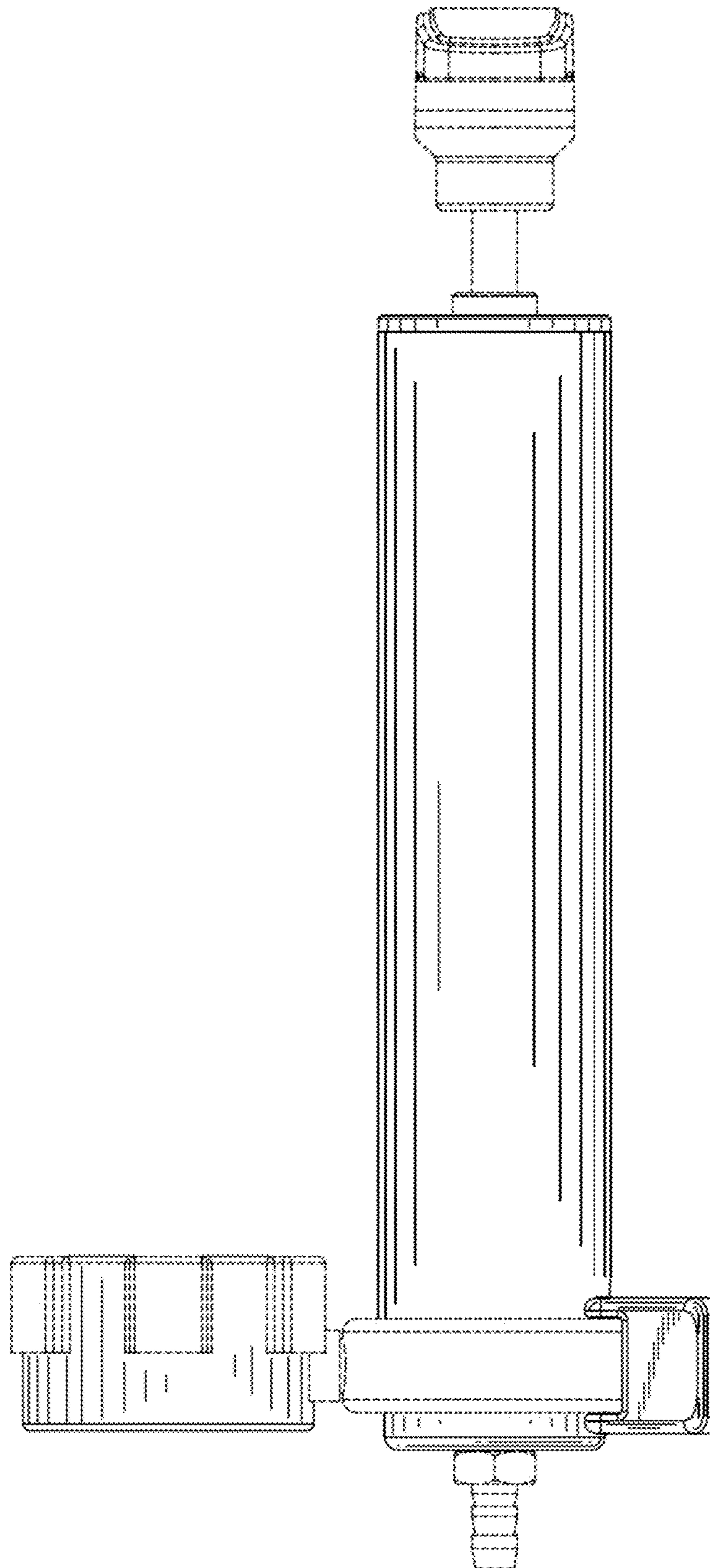


FIG. 2

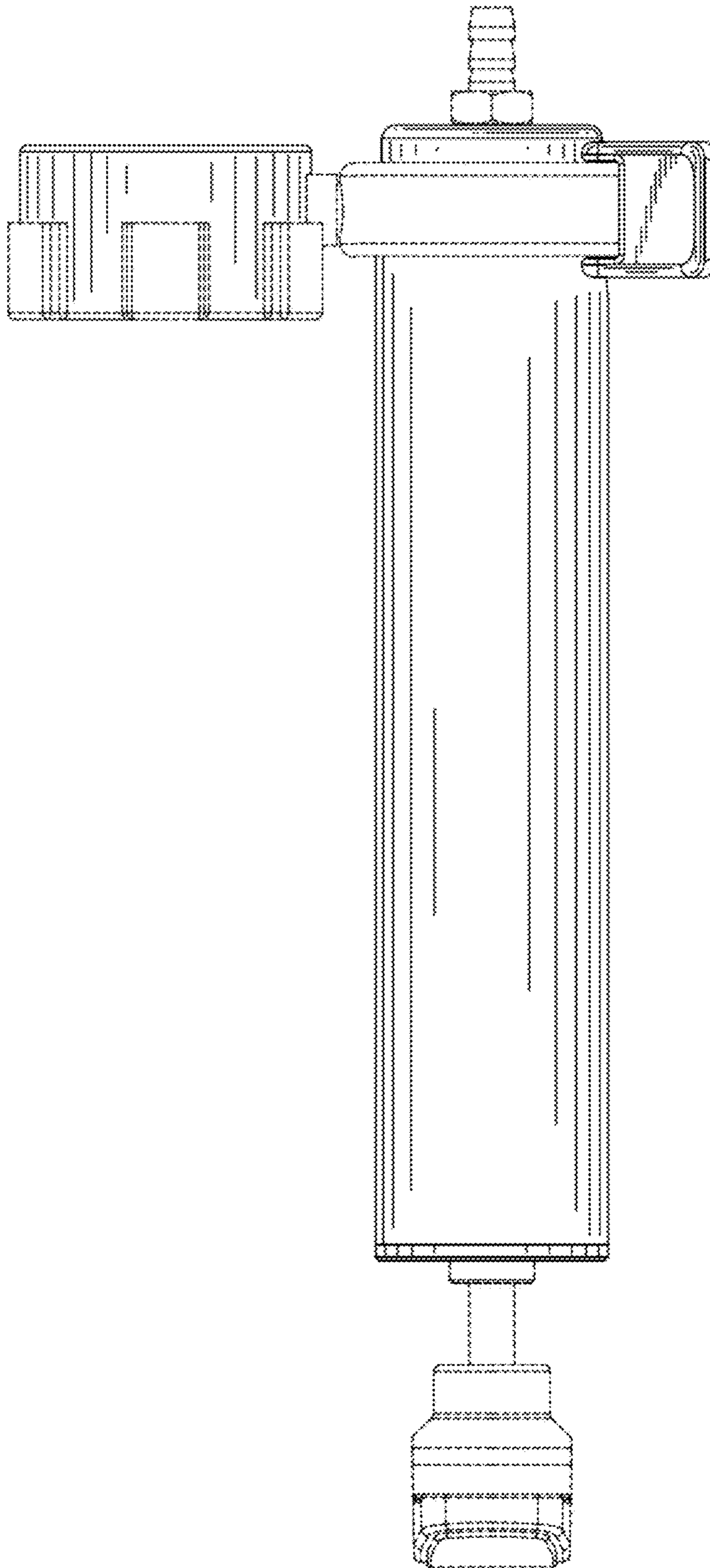


FIG. 3

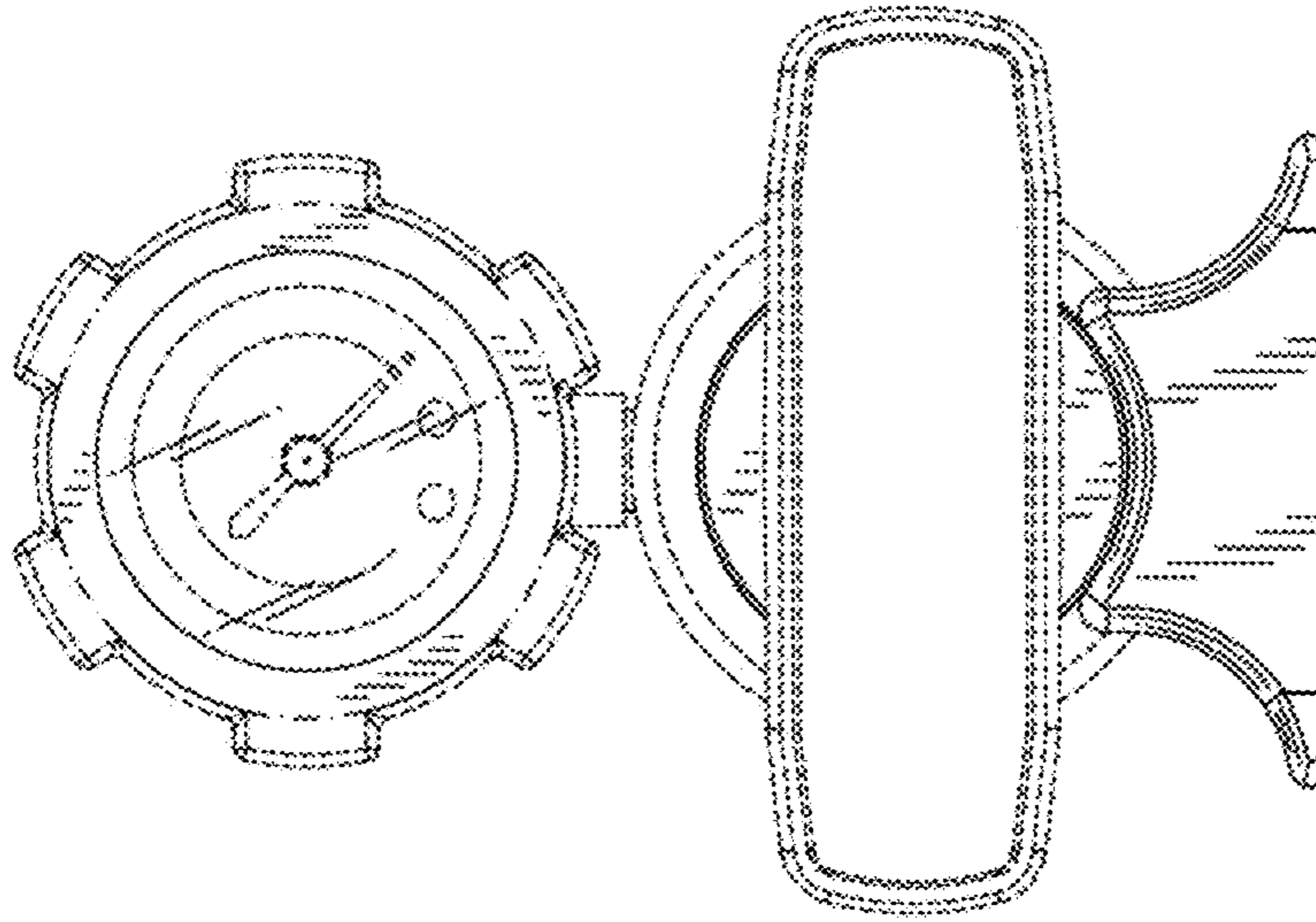


FIG. 5

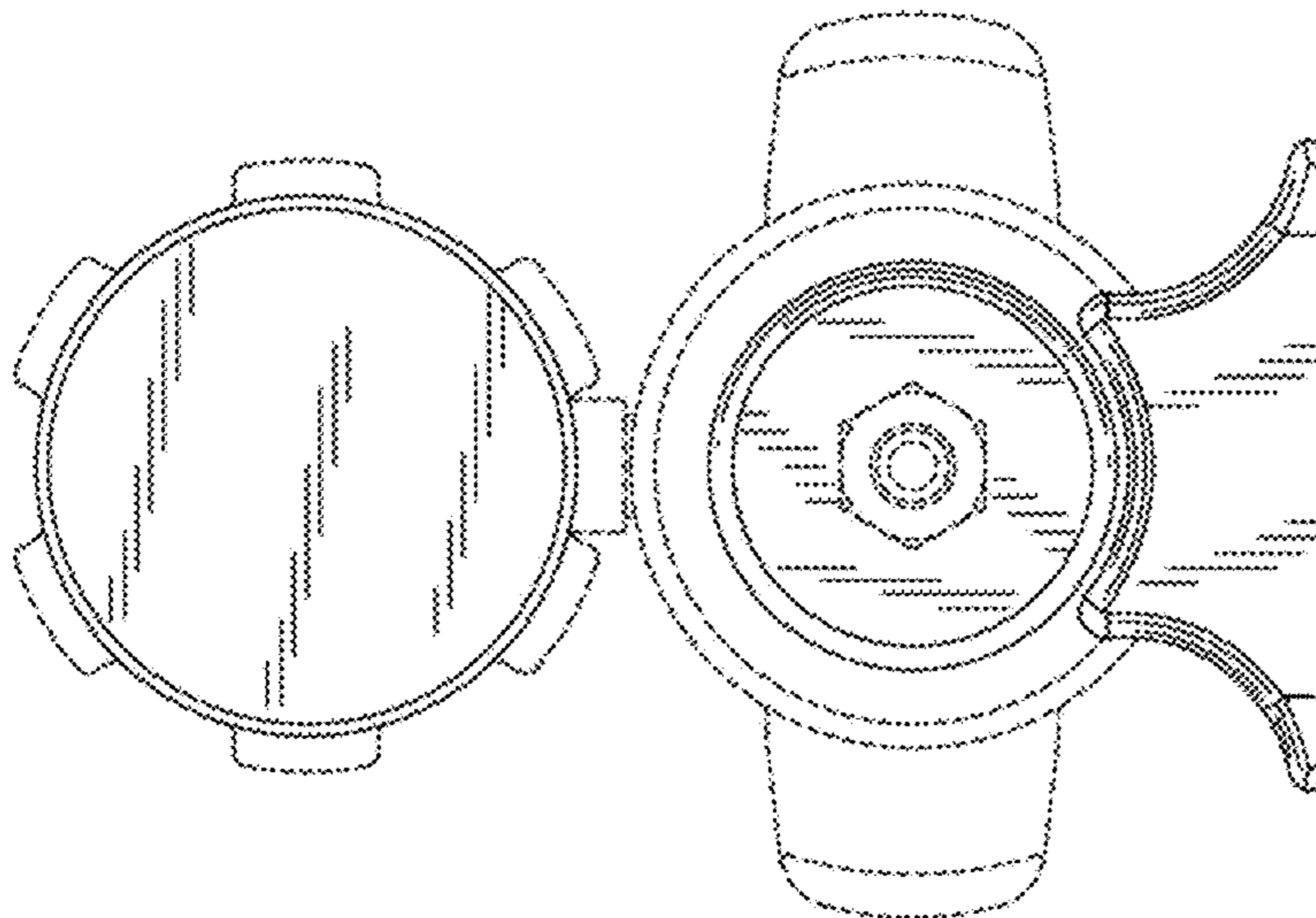


FIG. 4

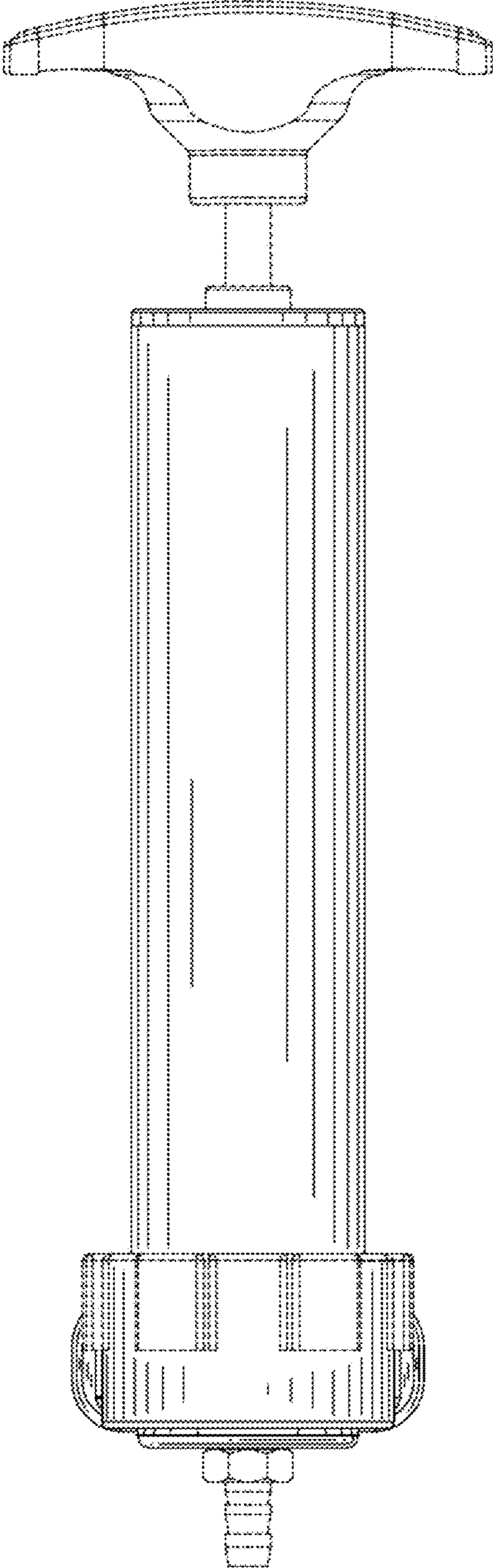


FIG. 6

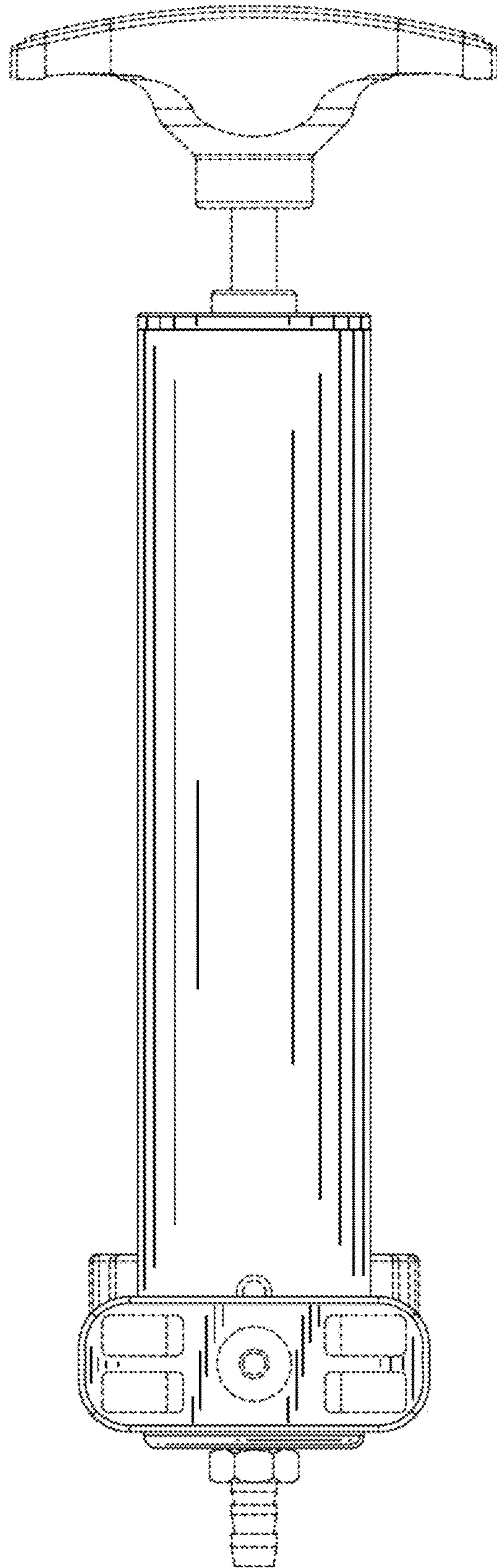


FIG. 7

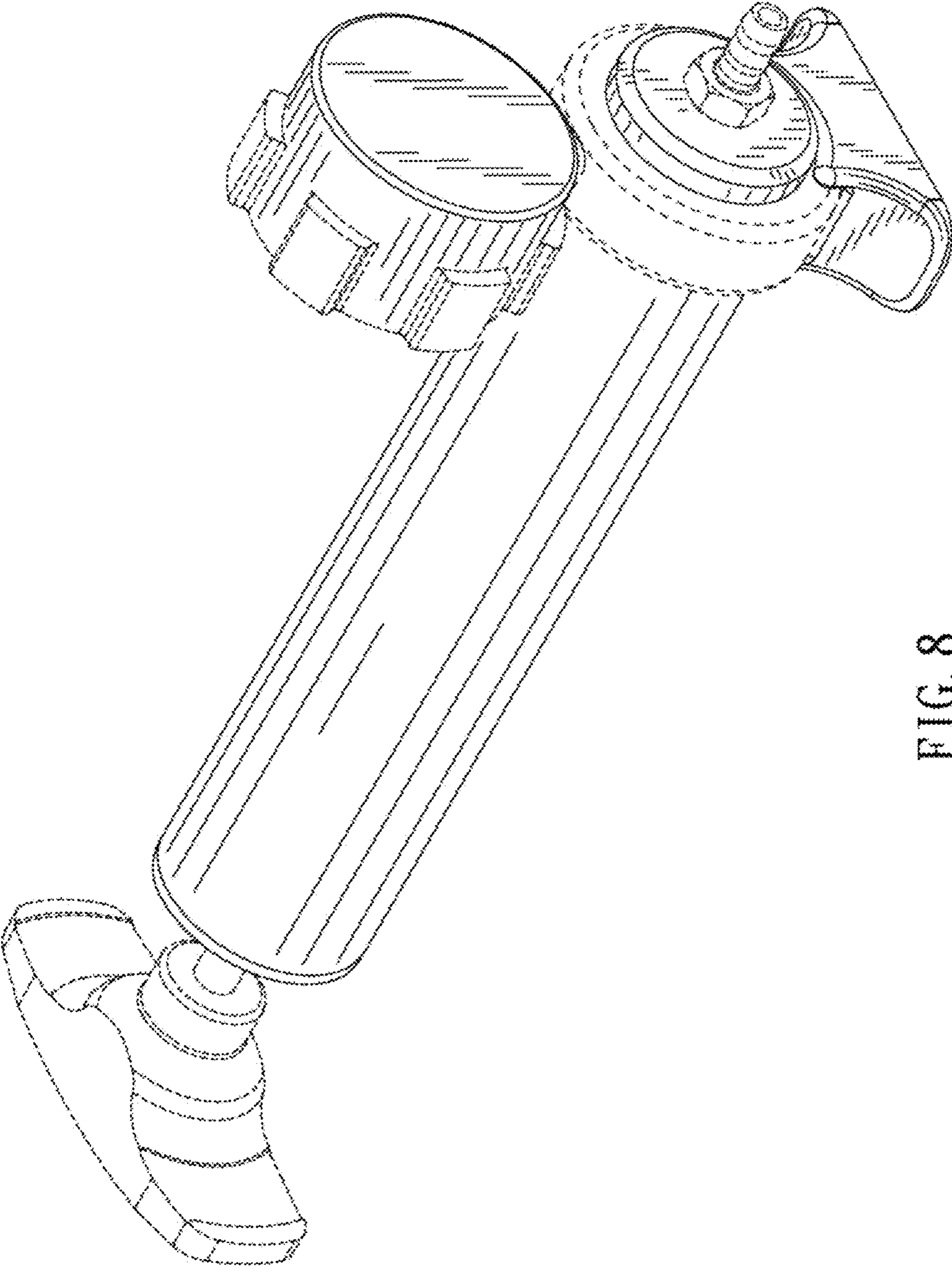


FIG. 8