



US00D834679S

(12) **United States Design Patent**
Garcia, Jr.

(10) **Patent No.:** **US D834,679 S**

(45) **Date of Patent:** **** Nov. 27, 2018**

(54) **BARREL ADAPTER**

(71) Applicant: **Miravel Jose Garcia, Jr.**, Montebello,
CA (US)

(72) Inventor: **Miravel Jose Garcia, Jr.**, Montebello,
CA (US)

(**) Term: **15 Years**

(21) Appl. No.: **29/593,953**

(22) Filed: **Feb. 14, 2017**

(51) **LOC (11) Cl.** **22-01**

(52) **U.S. Cl.**
USPC **D22/108**

(58) **Field of Classification Search**
USPC D22/108-110, 199, 100, 101, 103, 104;
D21/572-575; 33/241, 277, 362, 110,
33/105 R; 42/51, 71.01, 75.01, 75.02,
42/76.02-76.1, 79, 90, 94, 1.06, 107, 134,
42/136, 139, 125, 72, 111; 89/40.06,
89/41.19, 37.04, 33.04, 191.01, 200-204,
89/14.1-14.8; 124/92, 72, 74, 66, 67;
102/450, 451, 452, 532, 461; 181/223;
D25/119-125; D26/38; D14/418;
D7/672; D2/958; D8/397, 387, 382,
D8/388, 391, 393, 399; D12/202, 213,
D12/223, 400, 207, 208
CPC F41A 13/00; F41A 35/04; F41A 21/00;
F41A 21/32; F41A 21/325; F41A 21/34;
F41A 21/36; F41A 21/38; F41A 21/40;
F41A 21/42; F41B 5/00; F41C 27/00
See application file for complete search history.

(56) **References Cited**

U.S. PATENT DOCUMENTS

D268,565 S * 4/1983 Mortus D8/397
D278,310 S * 4/1985 Allen D8/21

5,279,200 A * 1/1994 Rose F41A 21/32
42/97
D374,814 S * 10/1996 Saito D8/387
5,698,810 A * 12/1997 Rose F41A 21/32
42/97

(Continued)

FOREIGN PATENT DOCUMENTS

WO WO 2016/137858 9/2016

OTHER PUBLICATIONS

1/2-28 Barrel Thread Adapter for 5/8" Barrels-Black, Tacticool22.com, [online], [site visited Apr. 11, 2018]. <URL: https://www.tacticool22.com/product/1228-thread-adapter-58-non-threaded-barrels-black/> (Year: 2018).*

(Continued)

Primary Examiner — T Chase Nelson
Assistant Examiner — Jonathan J. Han
(74) *Attorney, Agent, or Firm* — Eric Karich; Karich & Associates

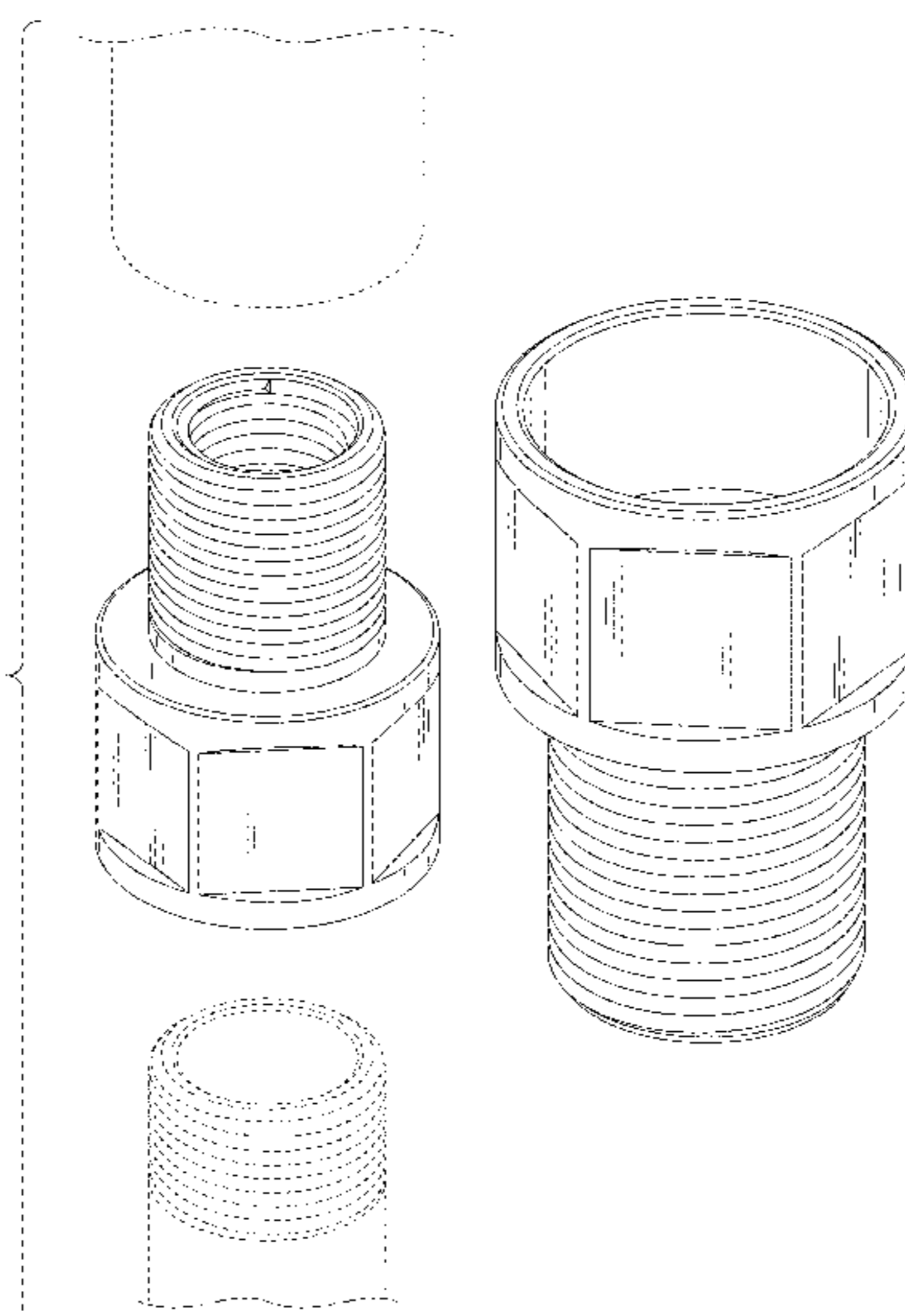
(57) **CLAIM**

The ornamental design for a barrel adapter, as shown and described.

DESCRIPTION

FIG. 1 is an exploded perspective view of a barrel adapter, showing my new design, within a firearm barrel assembly; FIG. 2 is a perspective view of a barrel adapter; FIG. 3 is a front elevational view thereof; FIG. 4 is a rear elevational view thereof; FIG. 5 is a left side elevational view thereof; FIG. 6 is a right side elevational view thereof; FIG. 7 is a top plan view thereof; FIG. 8 is a bottom plan view thereof; and, FIG. 9 is a cross-sectional view thereof. The broken lines in FIG. 1 illustrating a barrel and firearm accessory are used to show unclaimed environment, and form no part of the claimed design.

1 Claim, 4 Drawing Sheets



(56)

References Cited

U.S. PATENT DOCUMENTS

6,343,430 B1 * 2/2002 Martel F41C 9/08
42/51
6,385,891 B1 5/2002 Rabatin
6,412,389 B2 7/2002 Fluhr
D518,366 S * 4/2006 Olander D8/387
7,073,283 B2 * 7/2006 Watley F41C 9/08
42/51
D554,237 S * 10/2007 Lewis D23/259
7,610,710 B2 11/2009 Brittingham
D648,775 S * 11/2011 Rockett D17/22
D649,430 S * 11/2011 Spragg D8/323
8,142,125 B2 * 3/2012 Vrana F16B 37/062
411/181
8,210,087 B2 7/2012 Latka
8,516,941 B1 8/2013 Oliver
D699,303 S * 2/2014 Coulter D21/573
8,739,674 B1 * 6/2014 Huber F41A 21/32
89/14.2
D713,715 S * 9/2014 Kury D8/397
D725,461 S * 3/2015 Kopp D8/397
D726,531 S * 4/2015 Muzic D8/387
8,997,621 B1 4/2015 Dater et al.
D737,398 S * 8/2015 Spanel D22/108
9,163,888 B1 * 10/2015 DiOrio F41A 3/24
9,175,919 B2 11/2015 Russell et al.
9,182,187 B1 11/2015 Griffith
D746,129 S * 12/2015 Kishida D8/399
D746,401 S * 12/2015 Harrison D22/108
D760,582 S * 7/2016 Muzic D8/387
D764,267 S * 8/2016 Hutter, III D8/387

D772,383 S * 11/2016 Gill D23/259
D786,056 S * 5/2017 Baiz D8/387
D787,648 S * 5/2017 Smith D23/259
D787,924 S * 5/2017 Baiz D8/387
D788,886 S * 6/2017 Salzer D23/259
D792,199 S * 7/2017 Baiz D8/387
D804,982 S * 12/2017 Bonner D11/79
D807,461 S * 1/2018 Cheng D22/108
D807,795 S * 1/2018 Guse D12/159
9,921,021 B1 * 3/2018 Graham, II F41A 21/325
2006/0042617 A1 * 3/2006 Stevens F16K 1/303
124/74
2011/0252952 A1 * 10/2011 McNeill F41A 21/38
89/14.3
2015/0135575 A1 5/2015 Wood, Jr. et al.

OTHER PUBLICATIONS

1/16-24 Left Hand to 1/2-28 RH W/ AR Spacer Thread Adapter, TheSilencerStore.com, [online], [site visited Apr. 11, 2018]. <URL: http://www.thesilencerstore.com/index.php?main_page=product_info&products_id=71> (Year: 2018).*
1/2-28 Barrel Thread Adapter for Colt M4/M16 .22, Tacticool22.com, [online], [site visited Apr. 11, 2018]. <URL: <https://www.tacticool22.com/product/1228-thread-adapter-colt-m4m16-22-non-threaded-barrels/>> (Year: 2018).*
30 Cal Can Thread Adapter for AR-15 Barrel Threads, DakotaSilencer.com, [online], [site visited Apr. 11, 2018]. <URL: <https://www.dakotasilencer.com/product/30-cal-can-thread-adapter-for-ar-15-barrel-threads/>> (Year: 2018).*

* cited by examiner

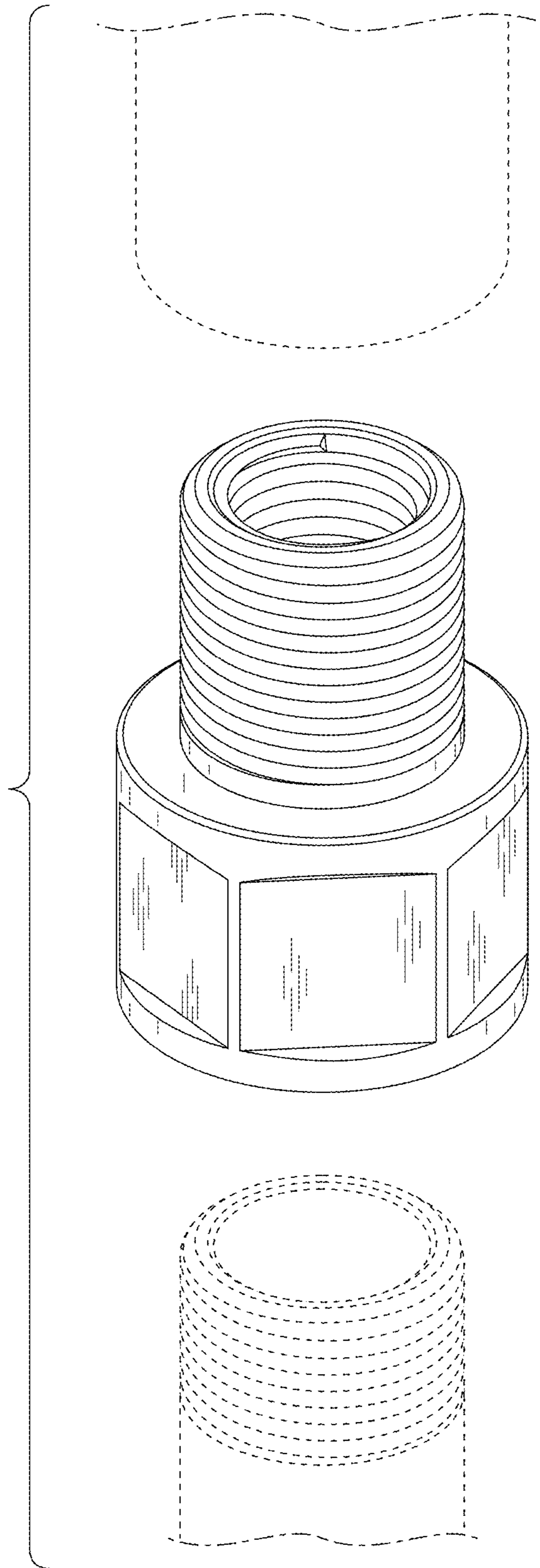


Fig. 1

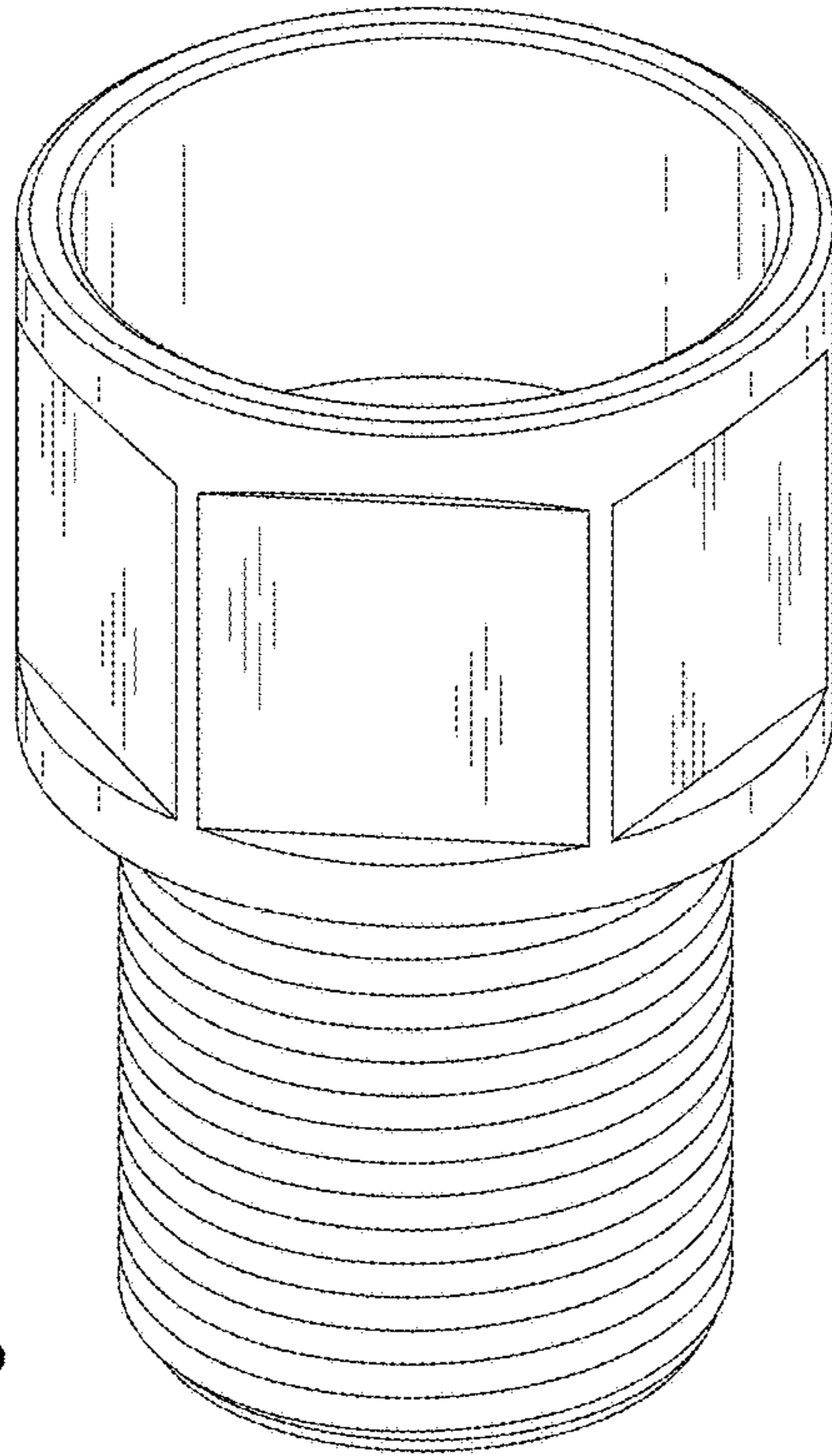


Fig. 2

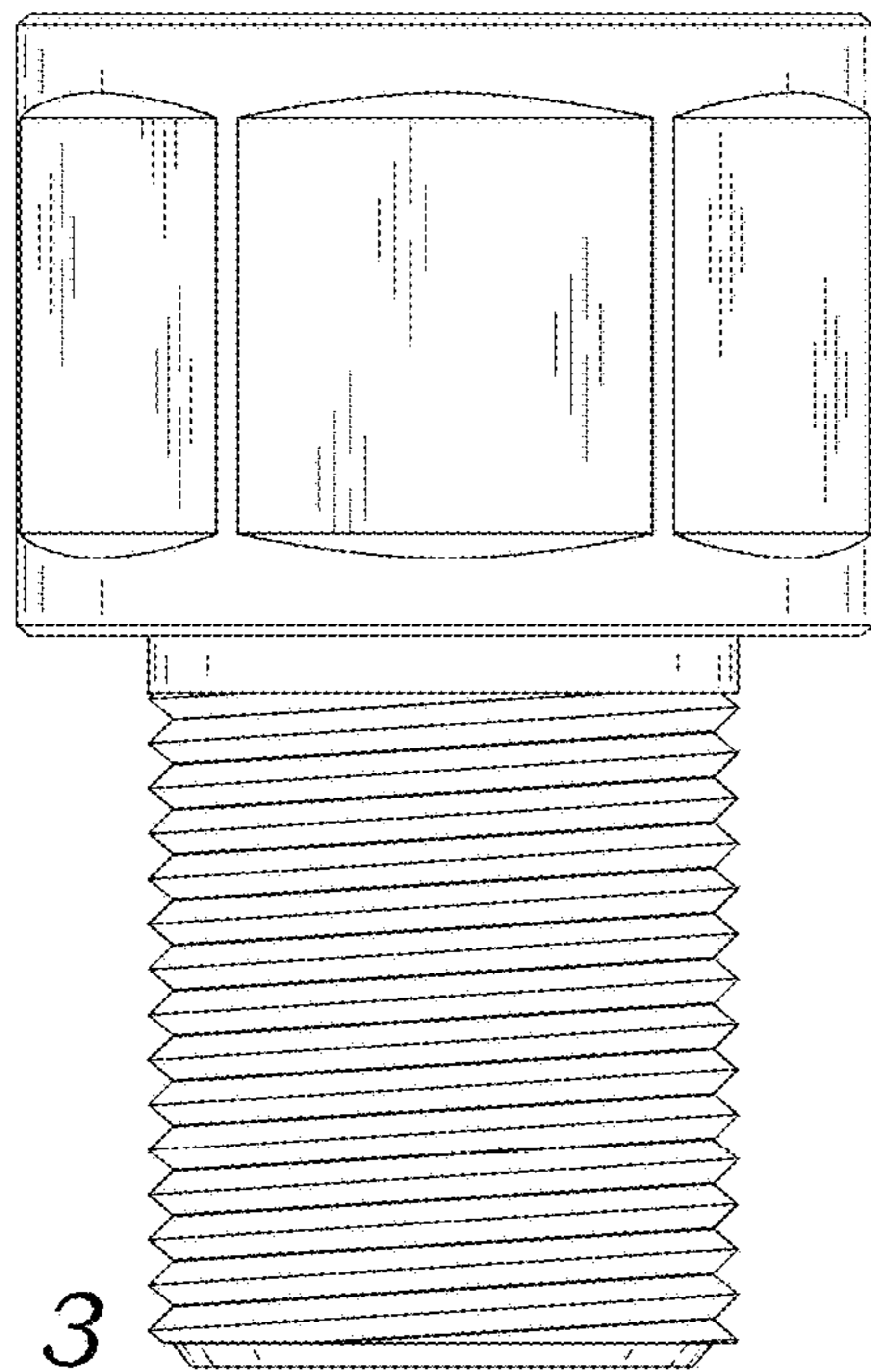


Fig. 3

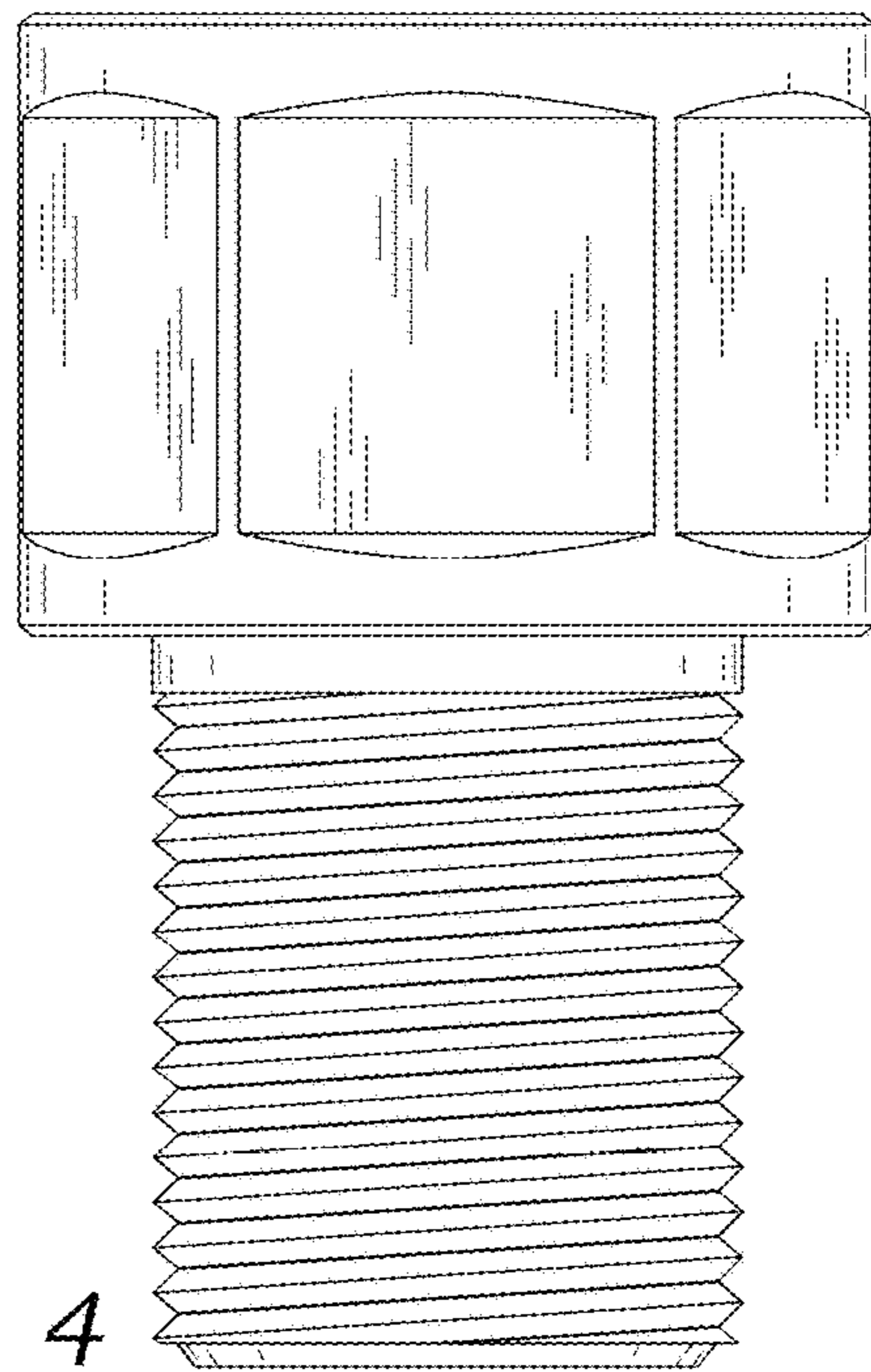


Fig. 4

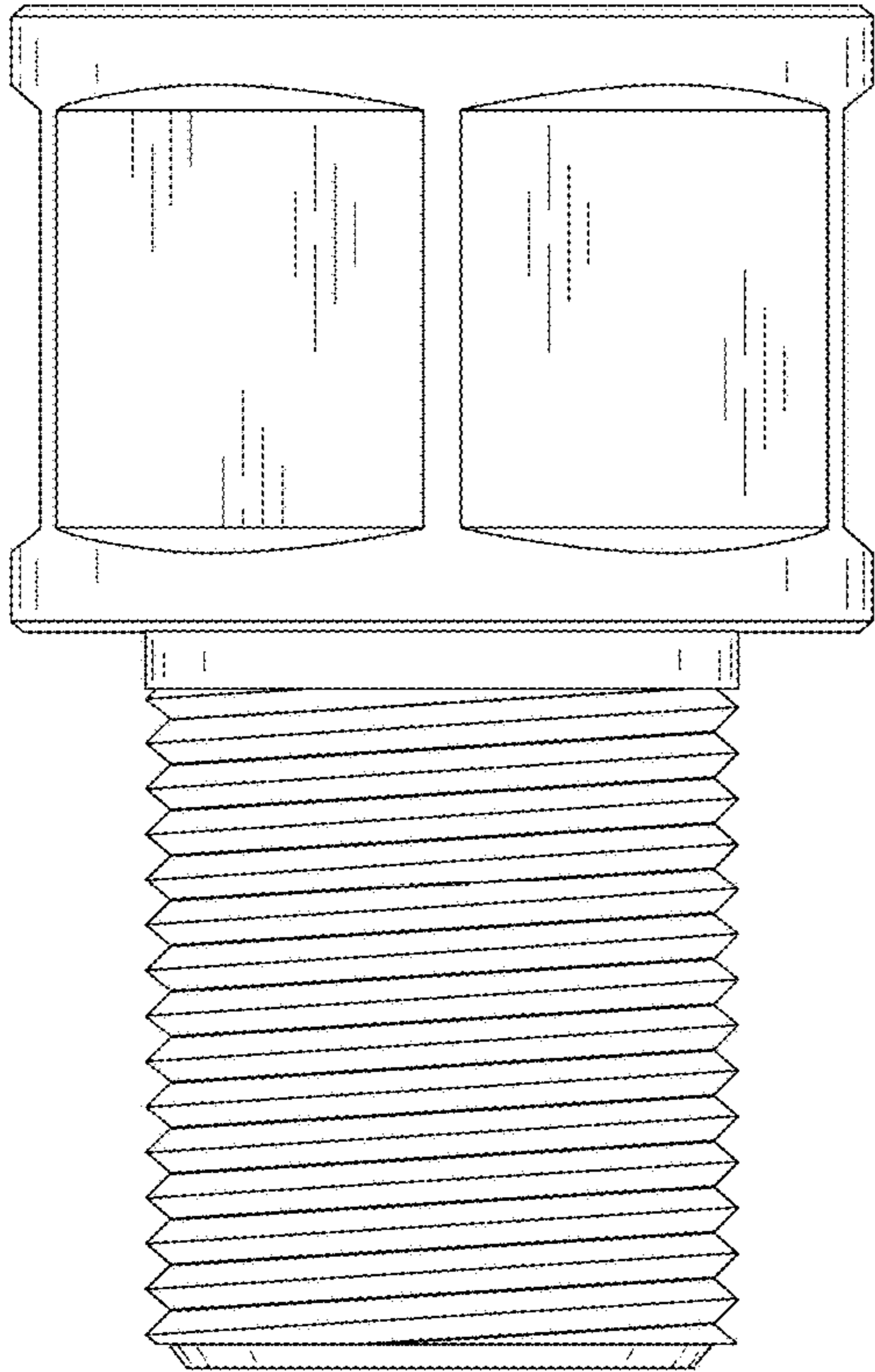


Fig. 5

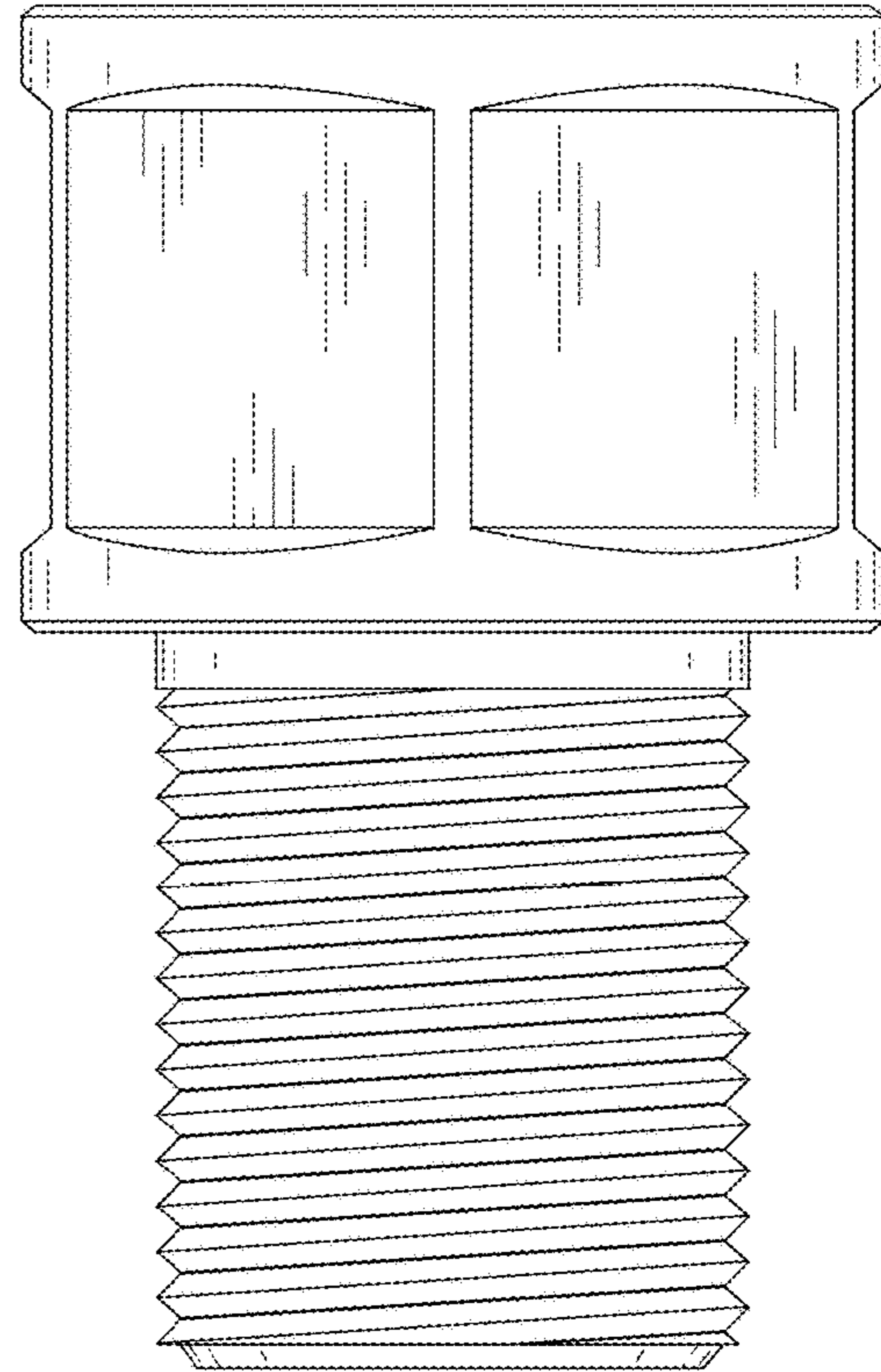


Fig. 6

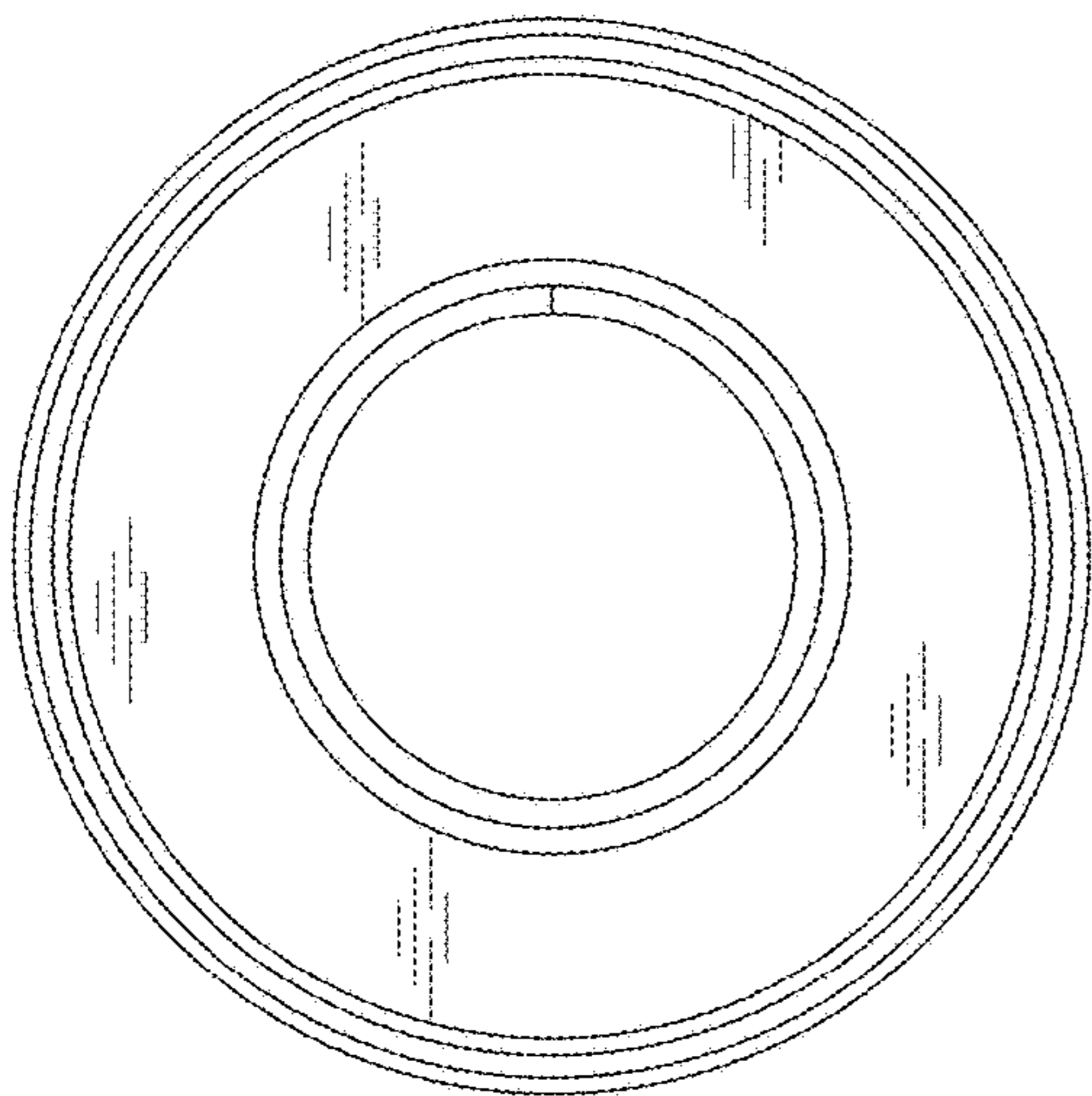


Fig. 7

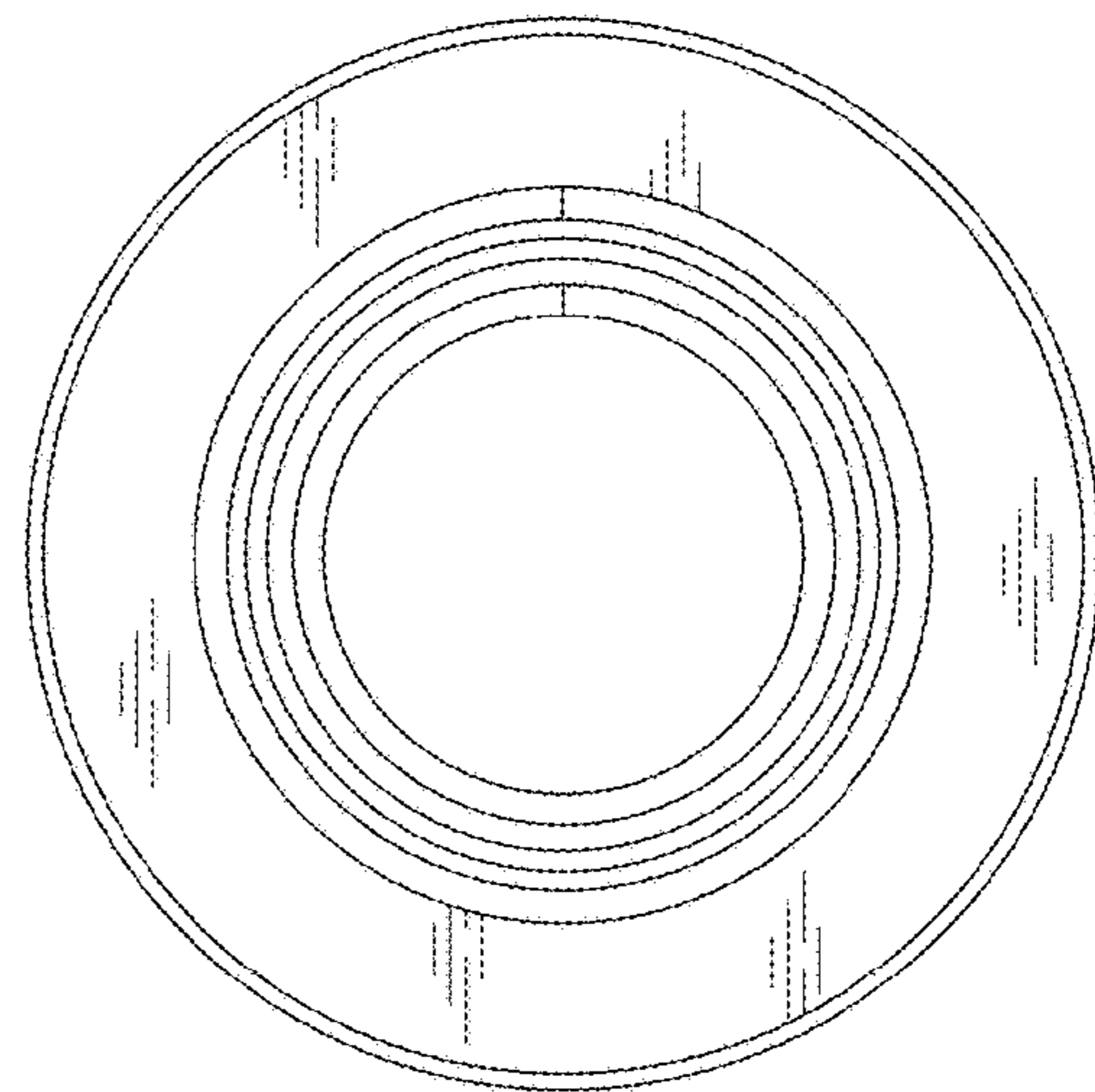


Fig. 8

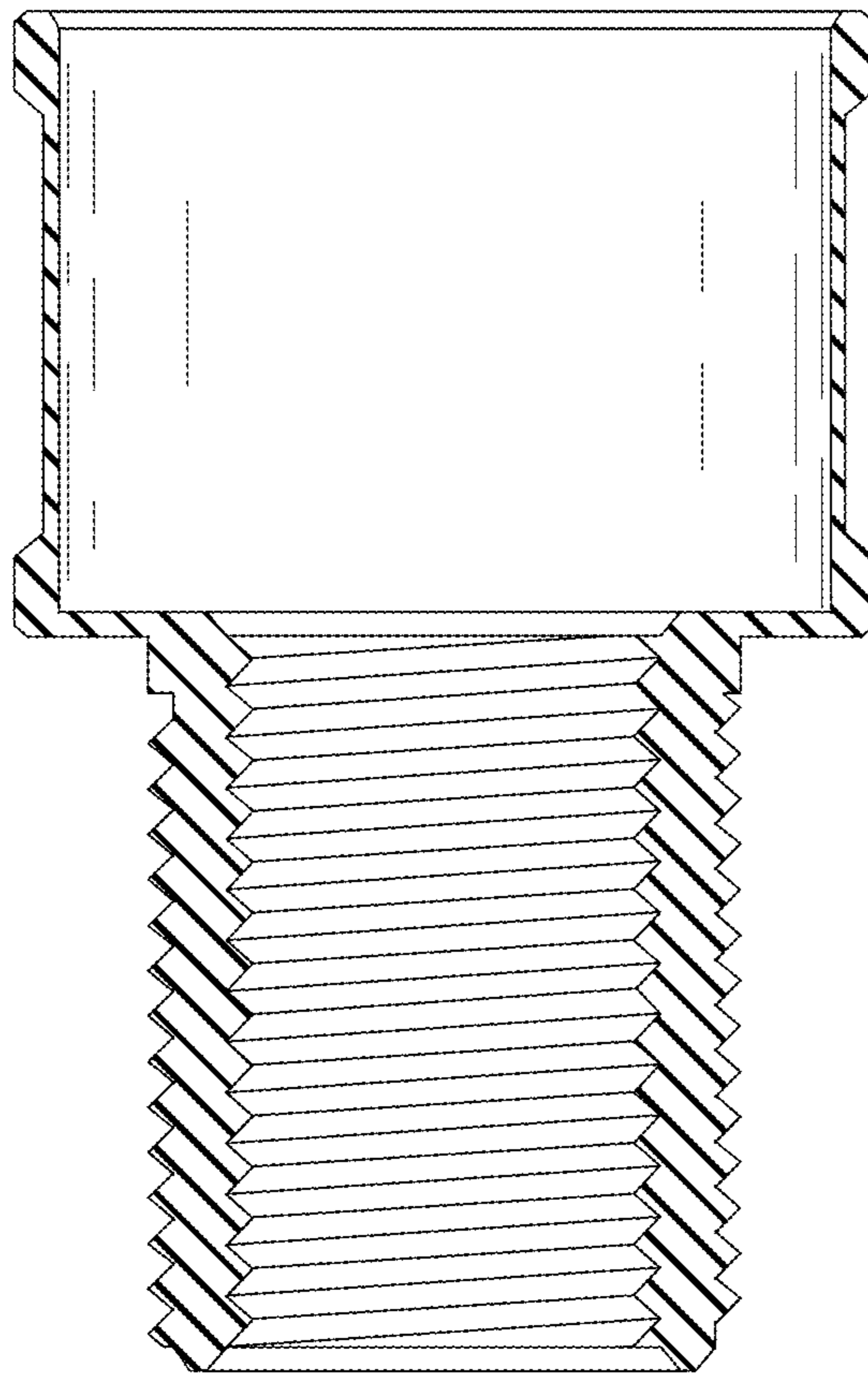


Fig. 9