



US00D834670S

(12) **United States Design Patent** (10) **Patent No.:** **US D834,670 S**  
**VanNatta** (45) **Date of Patent:** **\*\* Nov. 27, 2018**

(54) **FOOTBALL SPORTS WAND**

(71) Applicant: **Allan G. VanNatta**, Los Alamitos, CA  
(US)

(72) Inventor: **Allan G. VanNatta**, Los Alamitos, CA  
(US)

(\*\*) Term: **15 Years**

(21) Appl. No.: **29/598,045**

(22) Filed: **Mar. 22, 2017**

(51) **LOC (11) Cl.** ..... **21-02**

(52) **U.S. Cl.**  
USPC ..... **D21/788**

(58) **Field of Classification Search**  
USPC ..... D10/104.1, 122; D21/401, 402, 468,  
D21/698, 701, 712, 713, 722, 725, 731,  
D21/780, 781, 788; D11/184; 273/317.5,  
273/317.6; D26/38; 482/109; 473/424;  
D12/215; D20/10  
CPC . A63B 31/10; A63B 69/0002; A63B 69/0075;  
A63B 71/06

See application file for complete search history.

(56) **References Cited**

**U.S. PATENT DOCUMENTS**

D244,872 S *	6/1977	Staley .....	D21/788
D332,808 S *	1/1993	Neuroth .....	D21/402
D333,165 S *	2/1993	Neuroth .....	D21/402
D333,170 S *	2/1993	Patton .....	D21/788
D346,001 S *	4/1994	Stillinger .....	D21/712
D347,033 S *	5/1994	Moretz .....	D21/788
D355,975 S *	3/1995	Patoskie .....	D21/712
D520,231 S	5/2006	Gotlieb	
D622,327 S	8/2010	Roos	
D628,757 S *	12/2010	Francis .....	D32/40
D700,242 S *	2/2014	Bengyak .....	D20/29
D753,953 S *	4/2016	Meadows .....	D20/22
D778,360 S *	2/2017	Ambrose .....	D20/10

D805,996 S *	12/2017	Parker .....	D12/215
2008/0058129 A1 *	3/2008	Herman .....	A63B 69/00 473/446
2011/0224028 A1 *	9/2011	Slakey .....	A63B 69/0002 473/452

(Continued)

**FOREIGN PATENT DOCUMENTS**

CN	302416032 S	4/2013
CN	302416034 S	4/2013
CN	302416038 S	4/2013

**OTHER PUBLICATIONS**

Promotional Concert Cheering Custom Glow LED Lighting Stick.

*Primary Examiner* — Cynthia Ramirez

*Assistant Examiner* — Michael A Maharajh

(74) *Attorney, Agent, or Firm* — Sanford Astor

(57) **CLAIM**

The ornamental design for a football sports wand, as shown and described.

**DESCRIPTION**

FIG. 1 is a front perspective view of the football sports wand of the invention;

FIG. 2 is a front elevational view of the football sports wand of FIG. 1;

FIG. 3 is a rear elevational view of the football sports wand of FIG. 1;

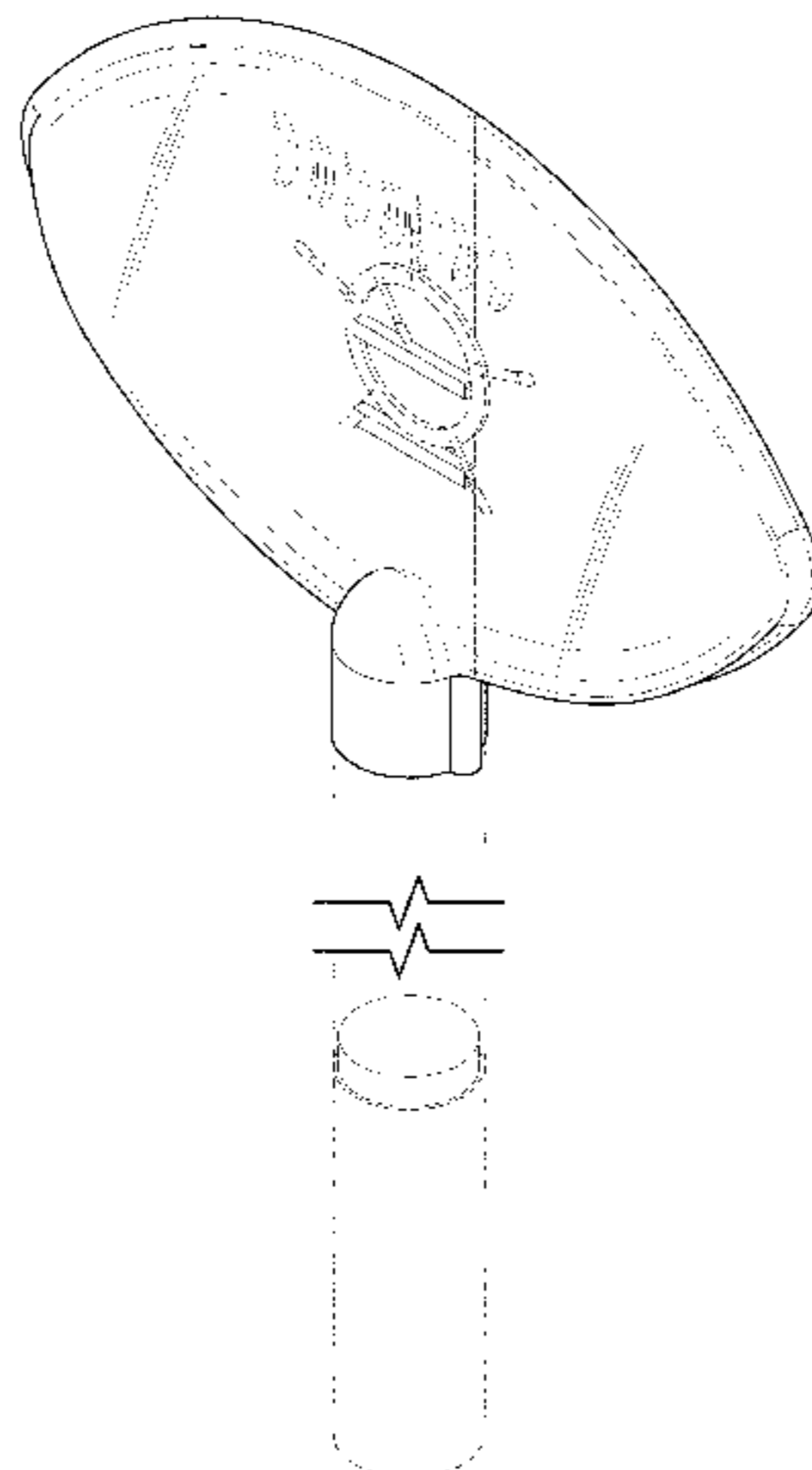
FIG. 4 is a cross-sectional view of the football sports wand of FIG. 1;

FIG. 5 is a side elevational view of the football sports wand of FIG. 1;

FIG. 6 is a top elevational view of the football sports wand of FIG. 1; and,

FIG. 7 is a bottom elevational view of the of the football sports wand of FIG. 1.

(Continued)



The broken lines shown in the drawings are included for the purpose of illustrating environmental structure and form no part of the claimed design.

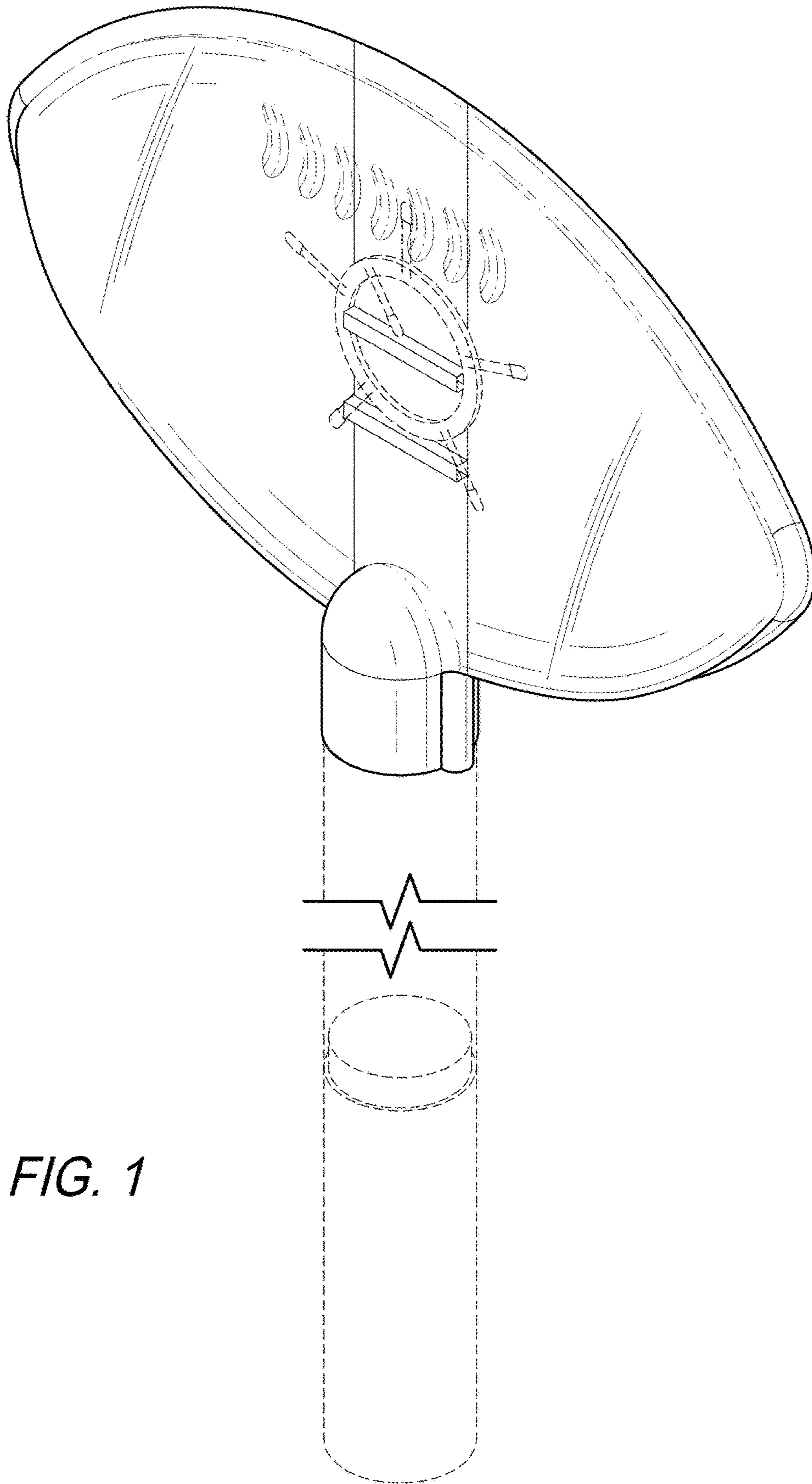
**1 Claim, 5 Drawing Sheets**

(56) **References Cited**

U.S. PATENT DOCUMENTS

2016/0067556	A1*	3/2016	Martino	.....	A63B 43/002
					473/613
2016/0096057	A1*	4/2016	Gavigan	.....	A63B 65/04
					482/109
2016/0151693	A1*	6/2016	Keith	.....	A63B 69/00
					473/424
2017/0232305	A1*	8/2017	Karabed	.....	A63B 43/004
					473/570

\* cited by examiner



*FIG. 1*

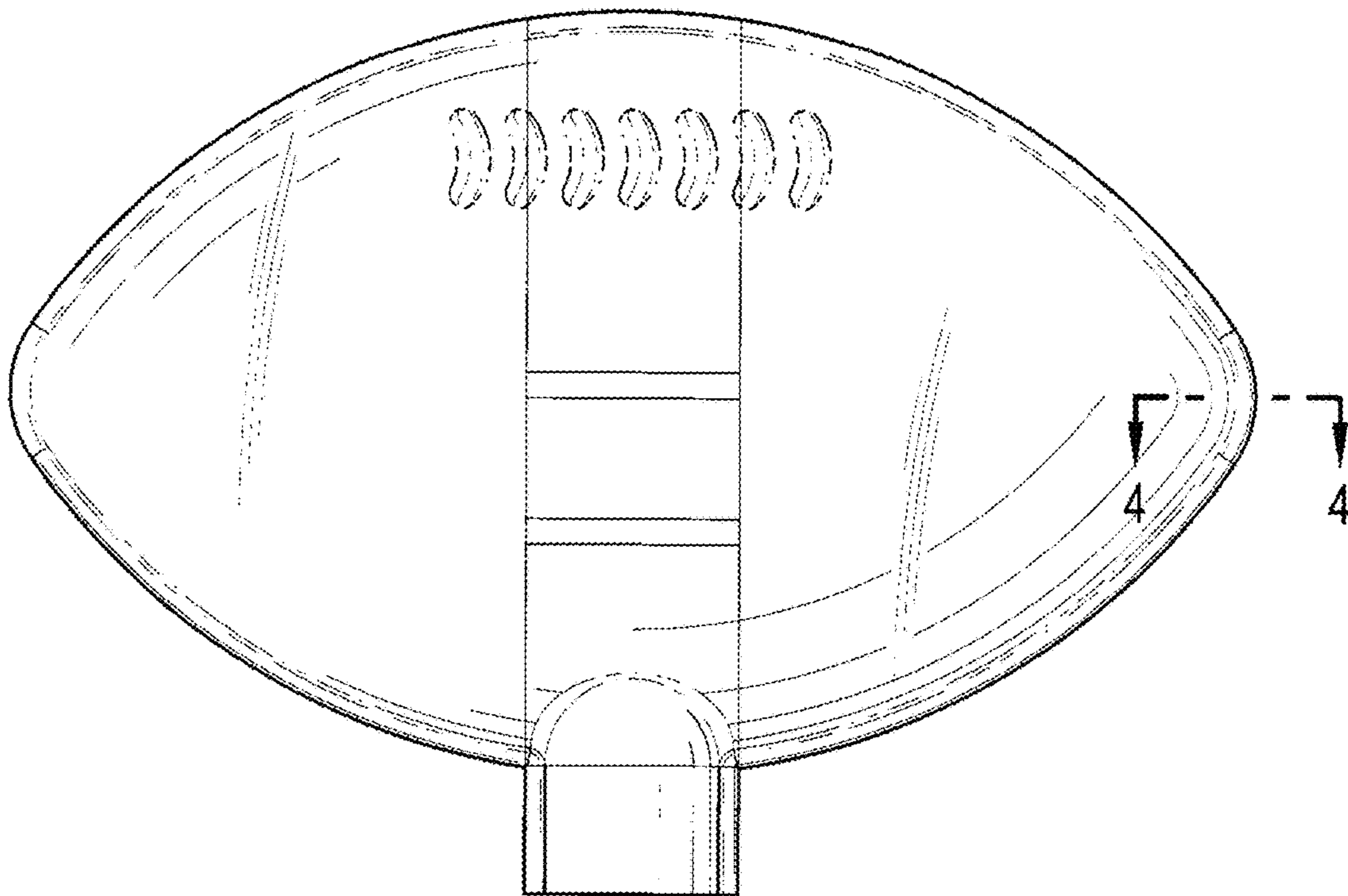
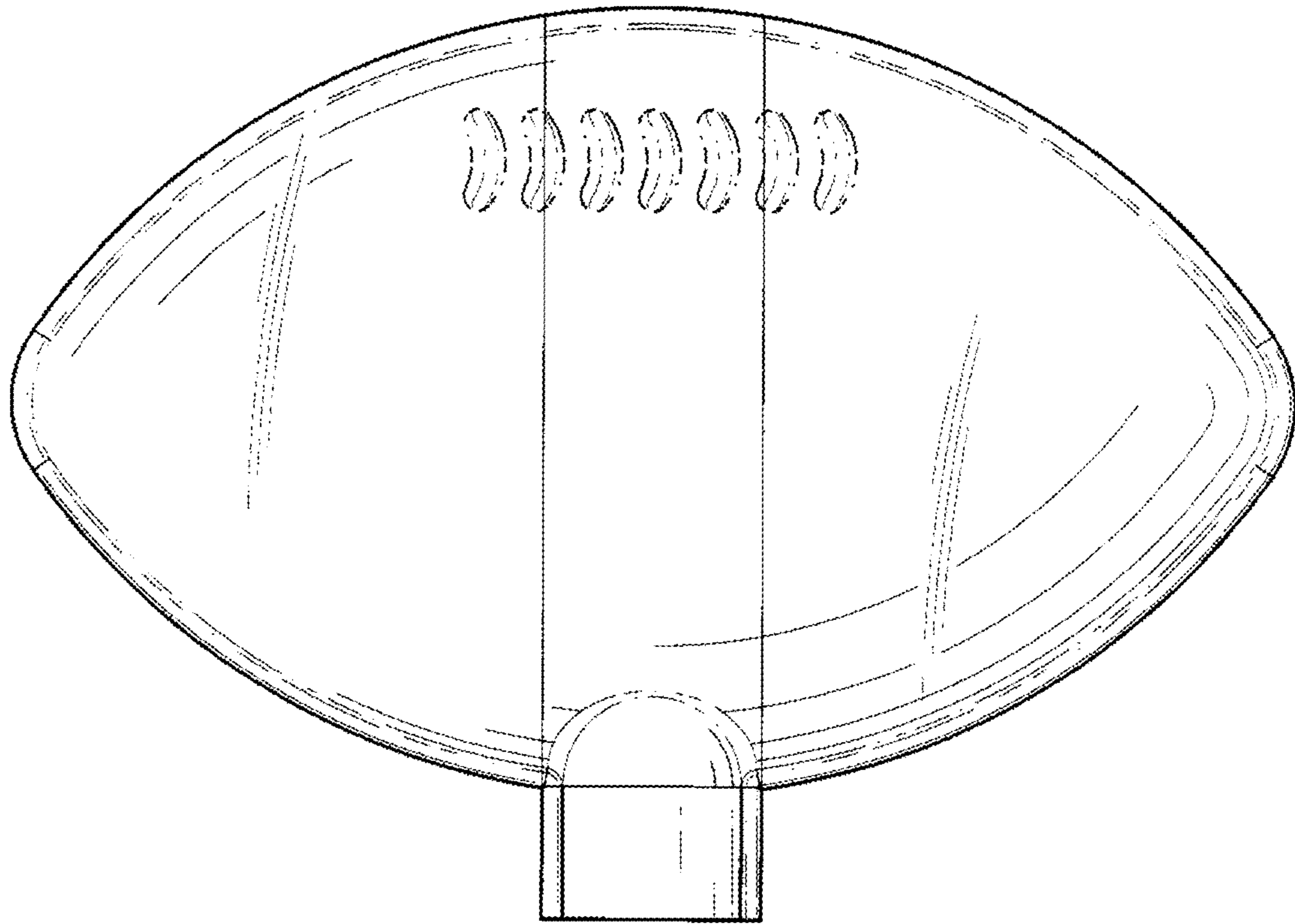
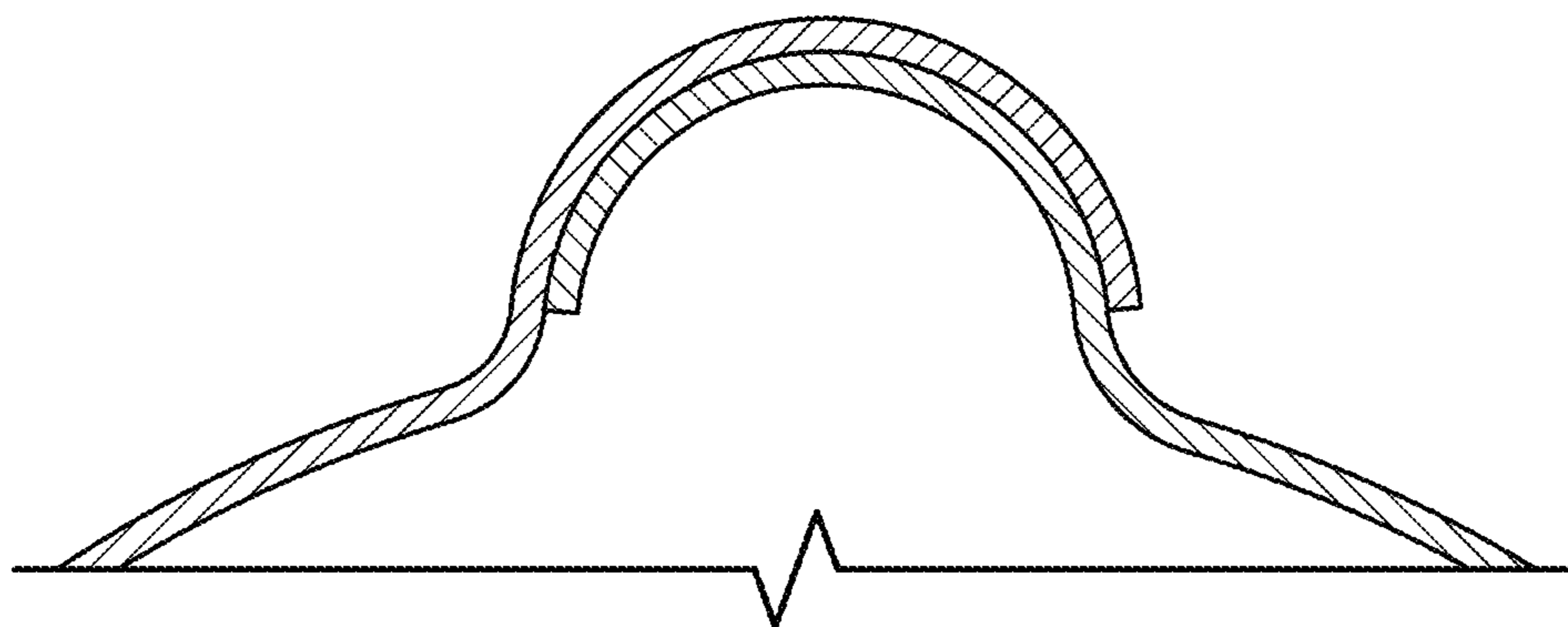


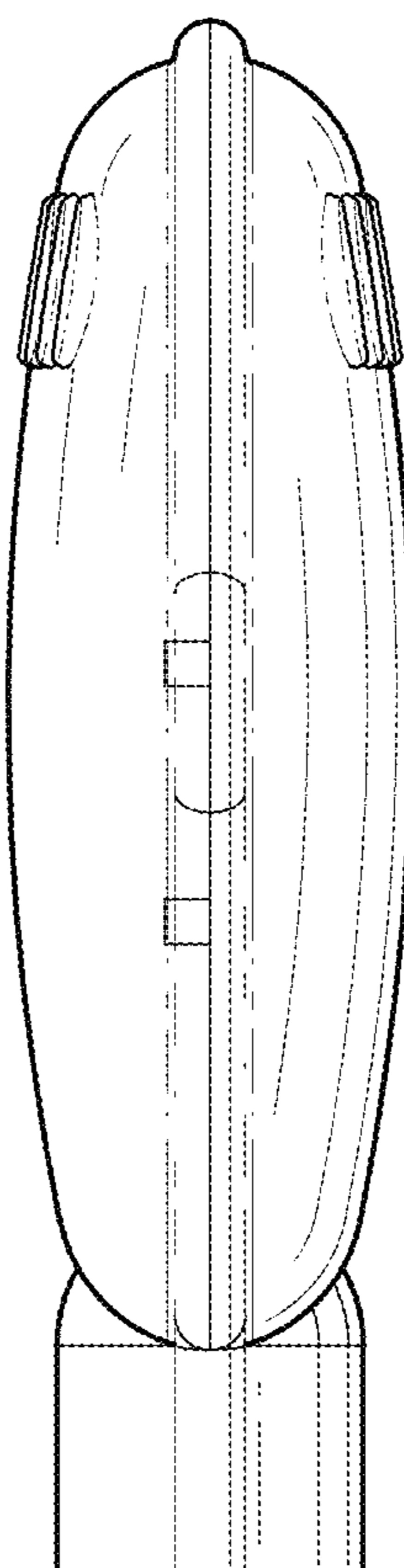
FIG. 2



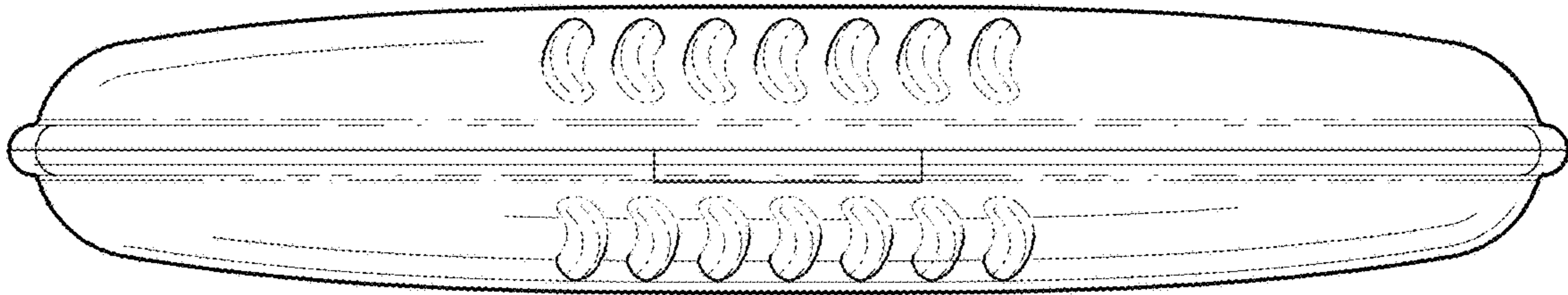
*FIG. 3*



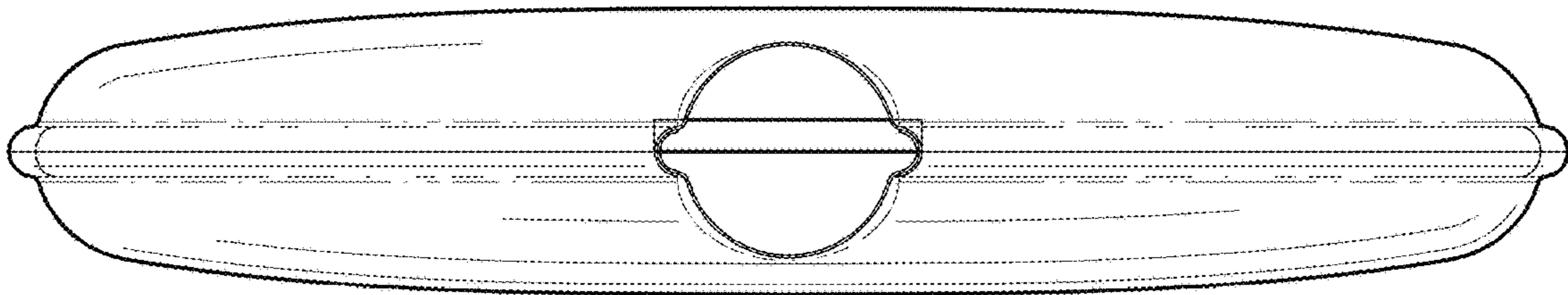
*FIG. 4*



*FIG. 5*



*FIG. 6*



*FIG. 7*