

US00D834669S

(12) **United States Design Patent**  
**Goodman**

(10) **Patent No.:** **US D834,669 S**

(45) **Date of Patent:** **\*\* Nov. 27, 2018**

- (54) **BASKETBALL SHOT TRAINER**
- (71) Applicant: **Jonathan Goodman**, Denmark, SC  
(US)
- (72) Inventor: **Jonathan Goodman**, Denmark, SC  
(US)
- (\*\*) Term: **15 Years**
- (21) Appl. No.: **29/594,068**
- (22) Filed: **Feb. 15, 2017**
- (51) **LOC (11) Cl.** ..... **21-02**
- (52) **U.S. Cl.**  
USPC ..... **D21/781**
- (58) **Field of Classification Search**  
USPC ..... 273/343, 398, 399, 400, 401, 402, 403,  
273/404, 405, 406, 407, 408; 434/247,  
434/248; 473/415, 416, 421, 422, 447,  
473/476, 477, 478, 485, 494; D21/301,  
D21/302, 303, 304, 305, 698, 699, 701,  
D21/704, 706, 780, 781, 800; D25/62,  
D25/66, 68; D6/386, 672, 681.1  
CPC ... A63B 69/0071; A63B 63/08; A63B 71/023;  
B29L 2031/52  
See application file for complete search history.

(56) **References Cited**

**U.S. PATENT DOCUMENTS**

- 2,074,125 A \* 3/1937 Lefft ..... A63B 63/008  
473/477
- D137,605 S \* 4/1944 Reiner ..... D25/66
- D142,350 S \* 8/1945 Reiner ..... D25/66
- D246,123 S \* 10/1977 Scoggins ..... 473/453
- D250,283 S \* 11/1978 Norton ..... D21/699
- 4,295,648 A \* 10/1981 Stromback ..... A63B 63/00  
273/402
- 4,592,555 A \* 6/1986 Bradford ..... A63B 67/00  
273/402

- 4,664,384 A \* 5/1987 Solla ..... A63B 63/004  
473/478
- 4,718,668 A \* 1/1988 Schipske ..... A63B 63/00  
473/462
- 4,783,070 A \* 11/1988 Bauer ..... A63B 69/0002  
273/407
- 4,976,623 A \* 12/1990 Owsley ..... A63B 69/0064  
434/247
- D329,903 S \* 9/1992 Craig ..... D25/62
- D346,081 S \* 4/1994 Turner ..... D6/681.1
- 5,413,328 A \* 5/1995 Glancey ..... A63B 63/00  
273/400
- 5,431,411 A \* 7/1995 Padilla ..... A63B 63/004  
273/127 C
- 5,599,016 A \* 2/1997 Larkin ..... A63B 69/0071  
473/448
- 5,655,774 A \* 8/1997 Cox ..... A63B 63/004  
273/400
- 5,678,824 A \* 10/1997 Fortier ..... F41J 1/10  
273/400

(Continued)

**FOREIGN PATENT DOCUMENTS**

WO WO2013152652 10/2013

*Primary Examiner* — Cynthia Ramirez  
*Assistant Examiner* — Michael A Maharajh

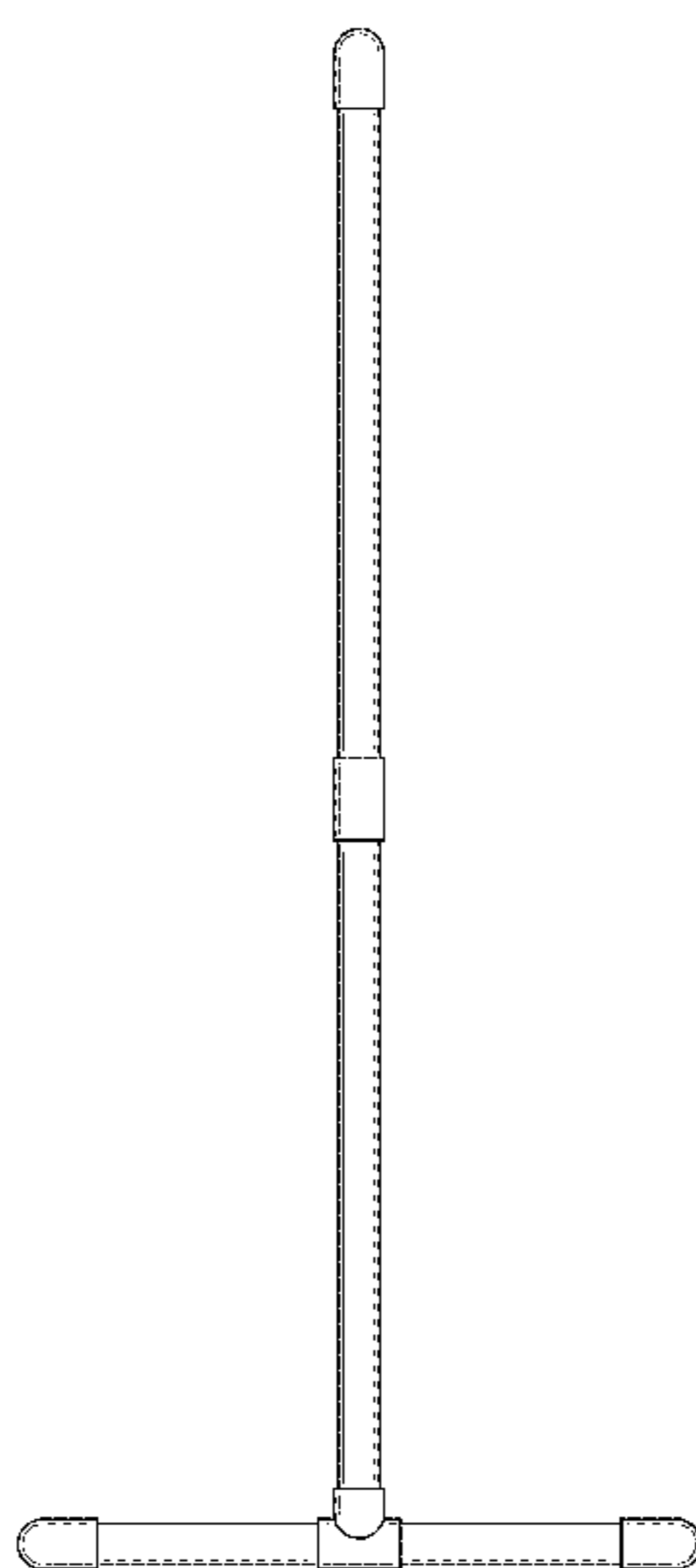
(57) **CLAIM**

The ornamental design for a basketball shot trainer, as shown and described.

**DESCRIPTION**

FIG. 1 is a front view of a basketball shot trainer showing my new design, a rear view being identical; FIG. 2 is a left side view of the basketball shot trainer, a right side view being identical; FIG. 3 is a top view of the basketball shot trainer; FIG. 4 is a bottom view of the basketball shot trainer; and, FIG. 5 is a top front side perspective view of the basketball shot trainer.

**1 Claim, 3 Drawing Sheets**



(56)

References Cited

U.S. PATENT DOCUMENTS

5,725,217	A *	3/1998	White	F41J 1/10 273/403	8,827,845	B1 *	9/2014	Griffin	A63B 63/00 273/400
D393,380	S *	4/1998	White	D21/302	8,900,074	B1	12/2014	Johnson et al.	
5,938,203	A *	8/1999	Beckwith, Sr.	F41J 1/10 273/407	D724,808	S *	3/2015	Blehm	D25/62
5,944,318	A *	8/1999	Payton	A63B 63/00 273/402	D738,431	S *	9/2015	Fiske	D21/302
6,083,124	A *	7/2000	Williams	A63B 71/022 273/400	9,199,150	B2	12/2015	Wackerly	
6,220,974	B1 *	4/2001	Moore	A63B 69/002 473/416	D747,774	S *	1/2016	Erickson	D21/302
6,371,873	B1 *	4/2002	Wang	A63B 63/004 273/407	D748,198	S *	1/2016	Nally	D21/302
6,435,512	B1 *	8/2002	Beckwith, Sr.	F41J 1/10 273/403	9,283,432	B2	3/2016	Marty et al.	
D478,938	S *	8/2003	Vande Hey	D21/302	D777,852	S *	1/2017	Crawley	D21/699
D478,939	S *	8/2003	McReynolds	D21/302	D786,380	S *	5/2017	Chang	D21/800
6,629,900	B2 *	10/2003	Wu	A63B 63/004 273/407	D788,235	S *	5/2017	Lantz	D21/699
6,773,014	B2 *	8/2004	Lynch	A63B 63/00 273/343	D805,142	S *	12/2017	Metcalf	D21/699
D500,105	S *	12/2004	Szaroletta	D21/699	D806,812	S *	1/2018	Adams	D21/699
D529,968	S *	10/2006	Frankel	D21/699	2002/0084588	A1 *	7/2002	Lynch	A63B 63/00 273/407
D531,685	S *	11/2006	Frankel	D21/699	2002/0125644	A1 *	9/2002	Knudson	A63B 63/00 273/398
7,175,549	B2	2/2007	LeFlore		2003/0228924	A1 *	12/2003	Isom	A63B 63/00 273/400
D539,373	S	3/2007	Cook		2005/0062231	A1 *	3/2005	Oister	A63B 63/004 273/407
7,198,273	B1 *	4/2007	Advocate	A63B 43/007 273/343	2005/0082761	A1 *	4/2005	Lynch	A63B 63/00 273/343
7,258,633	B2	8/2007	Joseph et al.		2006/0125184	A1 *	6/2006	Benson	A63B 67/002 273/343
7,328,902	B1 *	2/2008	White	A63B 63/00 273/343	2006/0264274	A1 *	11/2006	Bryant, Jr.	A63B 63/004 273/407
7,351,168	B1 *	4/2008	Pannell	A63B 63/004 273/400	2006/0273521	A1 *	12/2006	Nash	A63B 63/004 273/407
7,371,195	B2 *	5/2008	Stevens	A63B 63/004 273/400	2006/0292533	A1 *	12/2006	Selod	A61H 3/02 434/247
D570,417	S *	6/2008	Poe	D21/302	2007/0257438	A1 *	11/2007	Deal	A63B 67/06 273/343
D576,685	S *	9/2008	Queally	D21/302	2008/0048397	A1 *	2/2008	Mancini	A63B 67/06 273/343
D578,166	S *	10/2008	Wiroll	D21/302	2008/0287222	A1 *	11/2008	Rowan	A63B 69/002 473/422
D588,279	S *	3/2009	Stevens	D25/62	2009/0111588	A1 *	4/2009	Sudeck	A63B 63/00 463/49
D591,358	S *	4/2009	Moore	D21/302	2009/0115136	A1 *	5/2009	Voden	A63B 21/0053 273/336
7,543,821	B2 *	6/2009	Winningham	A63B 63/004 273/400	2009/0278316	A1 *	11/2009	LaMarte	A63B 63/00 273/343
7,600,759	B2 *	10/2009	Crawley	A63B 69/0097 273/396	2009/0278317	A1 *	11/2009	Lima	A63B 65/00 273/407
D609,280	S *	2/2010	Lessard	D21/699	2010/0160093	A1	6/2010	Macarthur	
D615,130	S *	5/2010	Smith	D21/303	2010/0194048	A1 *	8/2010	Medina	F41J 1/10 273/407
D626,181	S *	10/2010	Lima	D21/302	2010/0221974	A1 *	9/2010	Monaghan	A47D 11/00 446/75
7,828,296	B2 *	11/2010	Crawley	A63B 69/0097 473/434	2011/0037226	A1 *	2/2011	Nickles	A63B 43/06 273/343
8,075,425	B2 *	12/2011	Conwright	A63B 69/0071 473/422	2014/0200102	A1 *	7/2014	Frostino	A63B 69/0071 473/447
8,128,093	B1 *	3/2012	Gerrish	A63B 67/06 273/343	2016/0023095	A1 *	1/2016	Nally	A63B 67/06 273/398
D671,607	S *	11/2012	Stogsdill	D21/780	2016/0256723	A1 *	9/2016	Intlekofer	A63B 21/00181
D674,450	S *	1/2013	Cerbo	D21/699	2016/0303414	A1 *	10/2016	Werner	A63B 5/16
8,460,130	B1 *	6/2013	Earle	A63B 69/002 473/422	2016/0324315	A1 *	11/2016	Weaver	A47G 25/0685
D702,300	S *	4/2014	Crawley	D21/699	2018/0104558	A1 *	4/2018	Sweeney	A63B 67/06
					2018/0141317	A1 *	5/2018	Esteves	B32B 27/12

\* cited by examiner

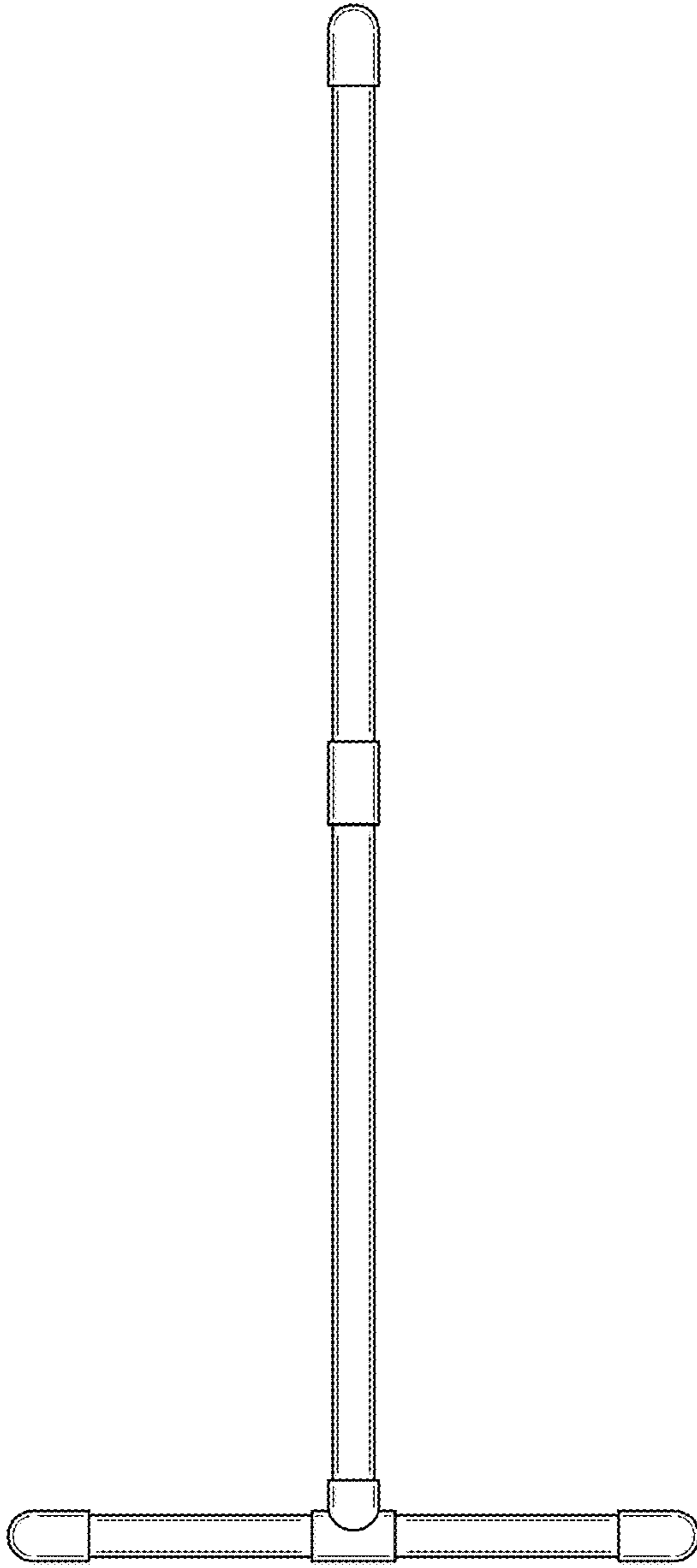


FIG. 1

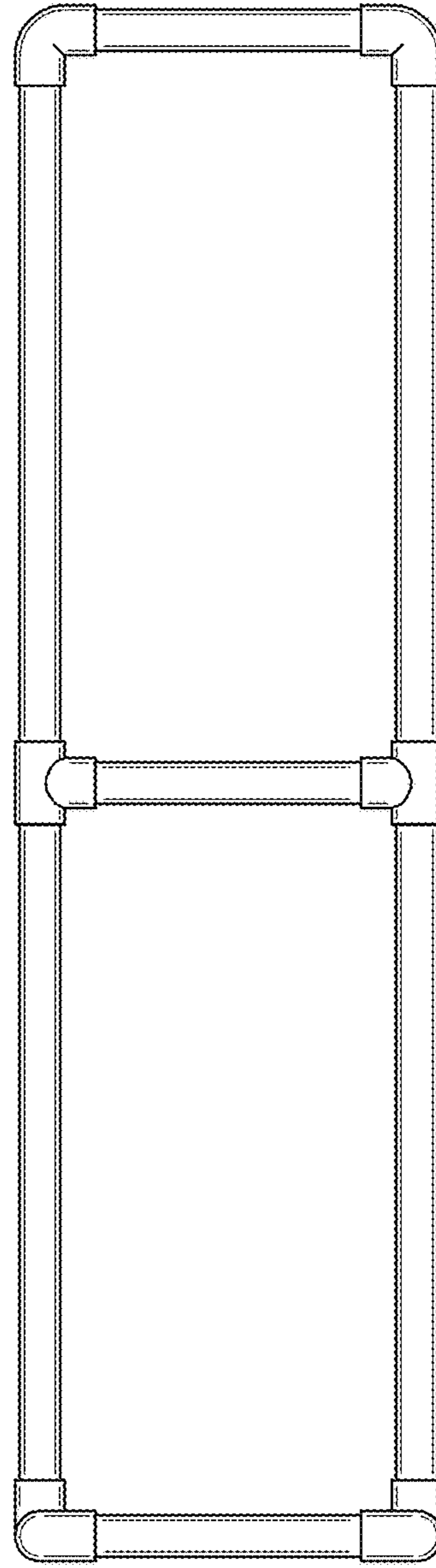


FIG. 2

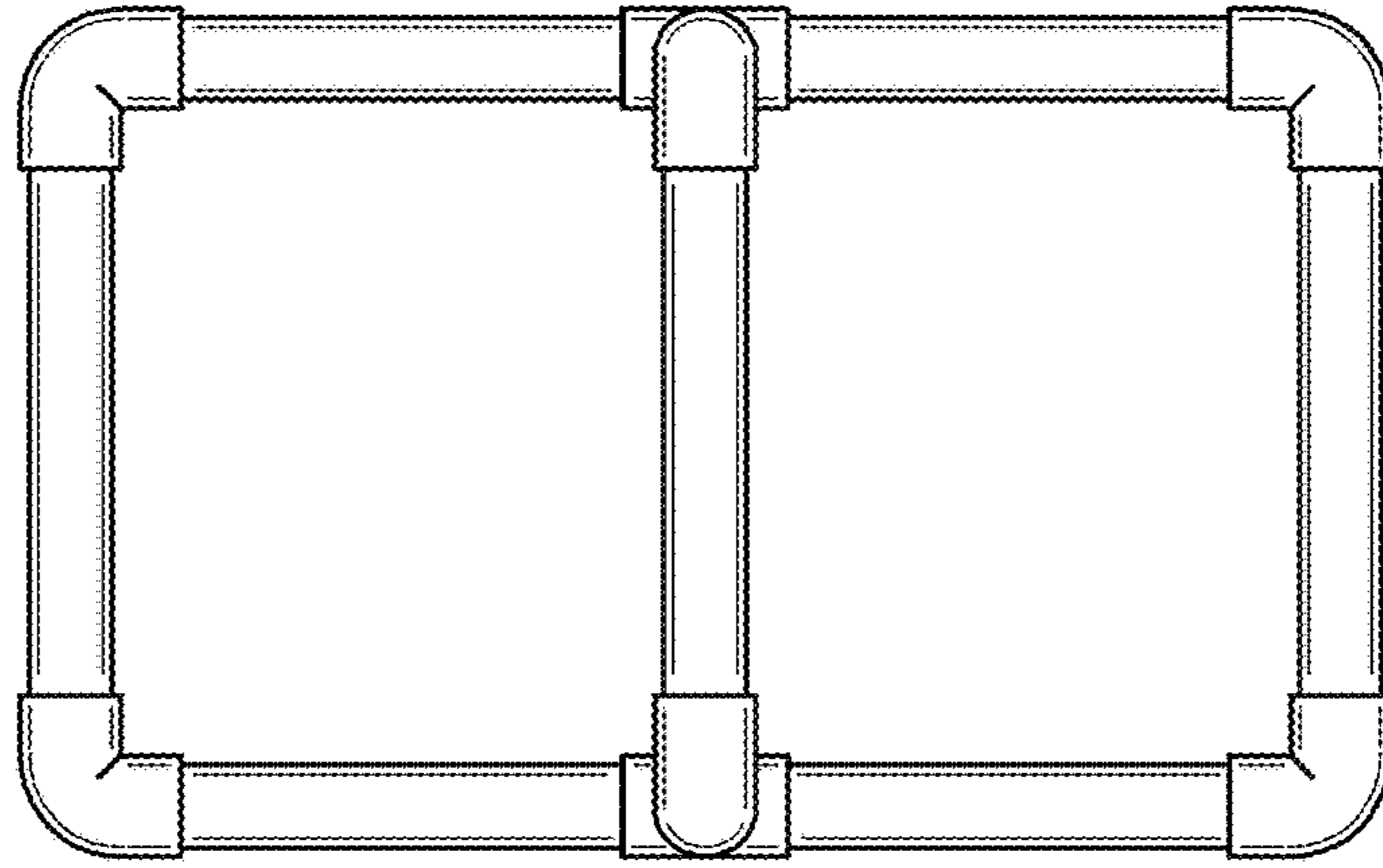


FIG. 3

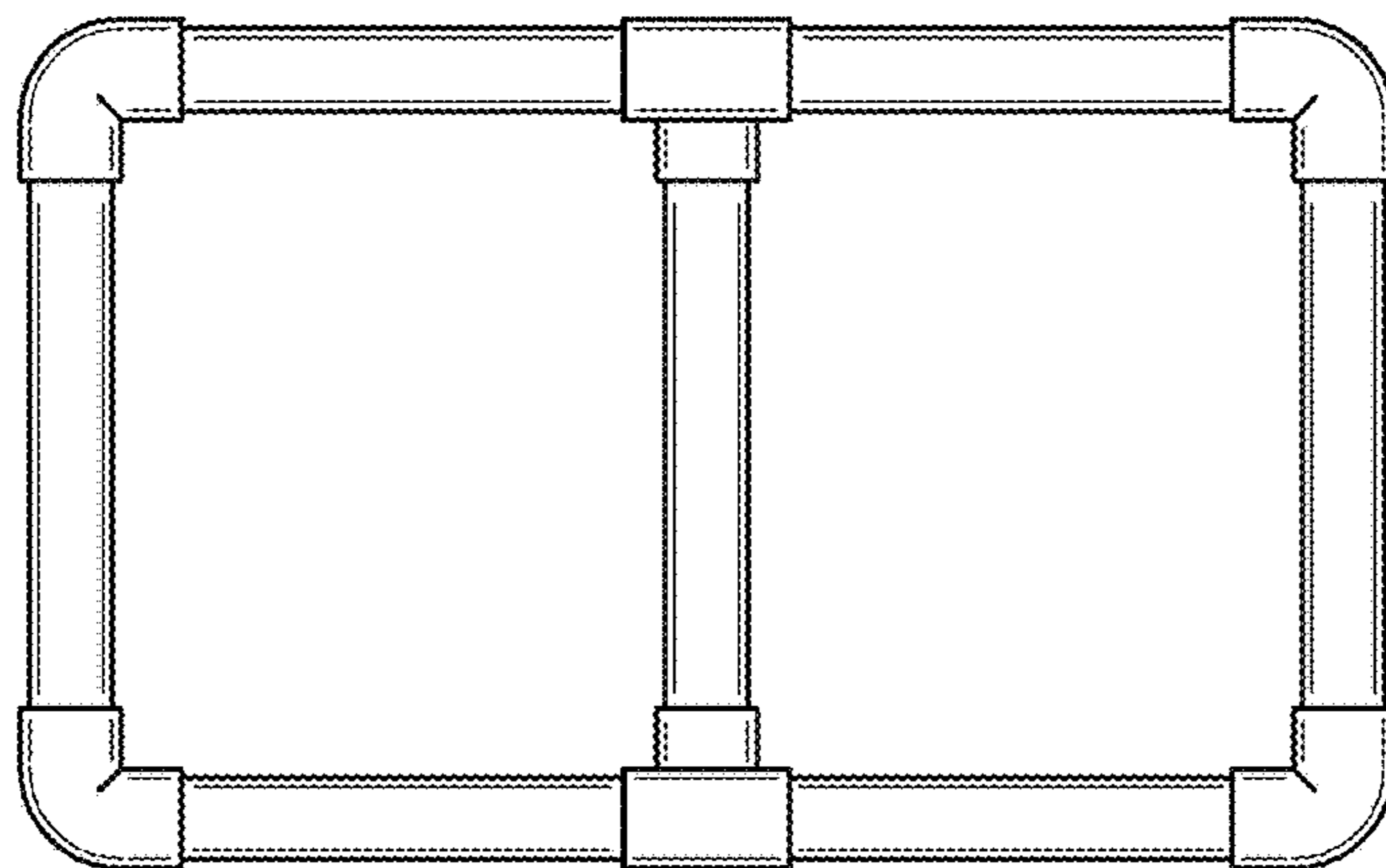


FIG. 4

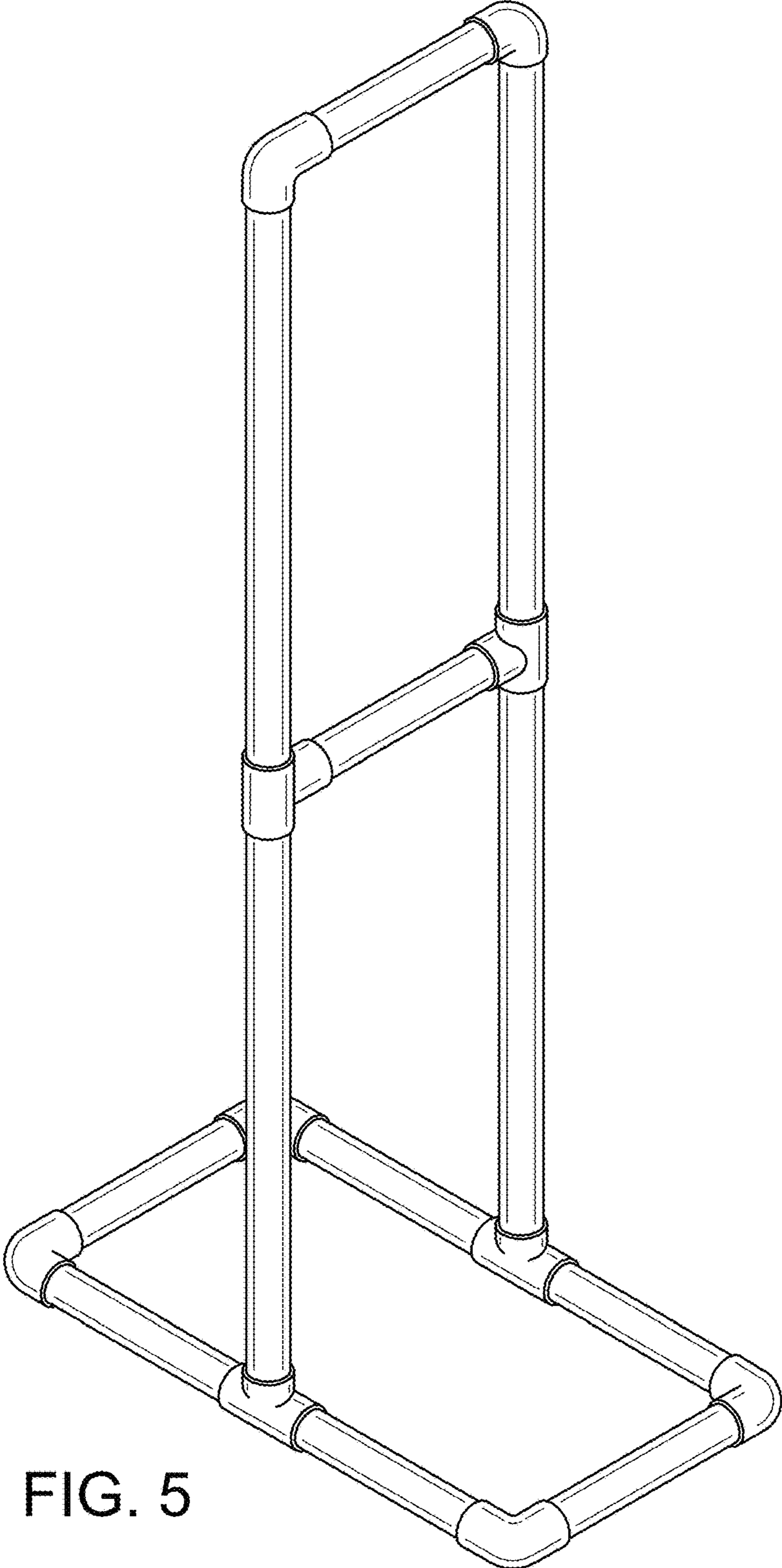


FIG. 5