



US00D834665S

(12) **United States Design Patent**
Kim et al.

(10) **Patent No.:** **US D834,665 S**

(45) **Date of Patent:** **** Nov. 27, 2018**

(54) **GOLF CLUB HEAD**

(71) Applicant: **Callaway Golf Company**, Carlsbad, CA (US)

(72) Inventors: **Wee Joung Kim**, Carlsbad, CA (US);
Chris J. Wieland, Vista, CA (US)

(73) Assignee: **Callaway Golf Company**, Carlsbad, CA (US)

(**) Term: **15 Years**

(21) Appl. No.: **29/618,899**

(22) Filed: **Sep. 25, 2017**

(51) **LOC (11) Cl.** **21-02**

(52) **U.S. Cl.**
USPC **D21/759**

(58) **Field of Classification Search**
USPC D21/747-751, 759
CPC A63B 53/00; A63B 53/02; A63B 53/04;
A63B 53/047; A63B 53/0475; A63B
2053/0479; A63B 2053/0483; A63B
2053/0445; A63B 60/00; A63B 60/46
See application file for complete search history.

(56) **References Cited**

U.S. PATENT DOCUMENTS

D533,245 S * 12/2006 Cleveland D21/747
D573,677 S * 7/2008 Kadoya D21/759
D577,087 S * 9/2008 Roach D21/749
D577,779 S * 9/2008 Roach D21/749

D580,503 S * 11/2008 Roach D21/747
D593,627 S * 6/2009 Kim D21/747
D601,651 S * 10/2009 Jorgensen D21/759
D618,743 S * 6/2010 Roach D21/747
D622,796 S * 8/2010 Kadoya D21/759
D625,375 S * 10/2010 Kim D21/748
D631,110 S * 1/2011 Kim D21/747
D660,389 S * 5/2012 Voshall D21/759
D788,236 S * 5/2017 Bishop D21/747
D817,421 S * 5/2018 Tang D21/759

* cited by examiner

Primary Examiner — Mitchell I. Siegel

(74) *Attorney, Agent, or Firm* — Rebecca Hanovice;
Michael Catania; Sonia Lari

(57) **CLAIM**

The ornamental design for a golf club head, as shown and described.

DESCRIPTION

FIG. 1 is a rear perspective view of the golf club head claimed herein;

FIG. 2 is a front elevational view thereof;

FIG. 3 is a rear elevational view thereof;

FIG. 4 is a left side elevational view thereof;

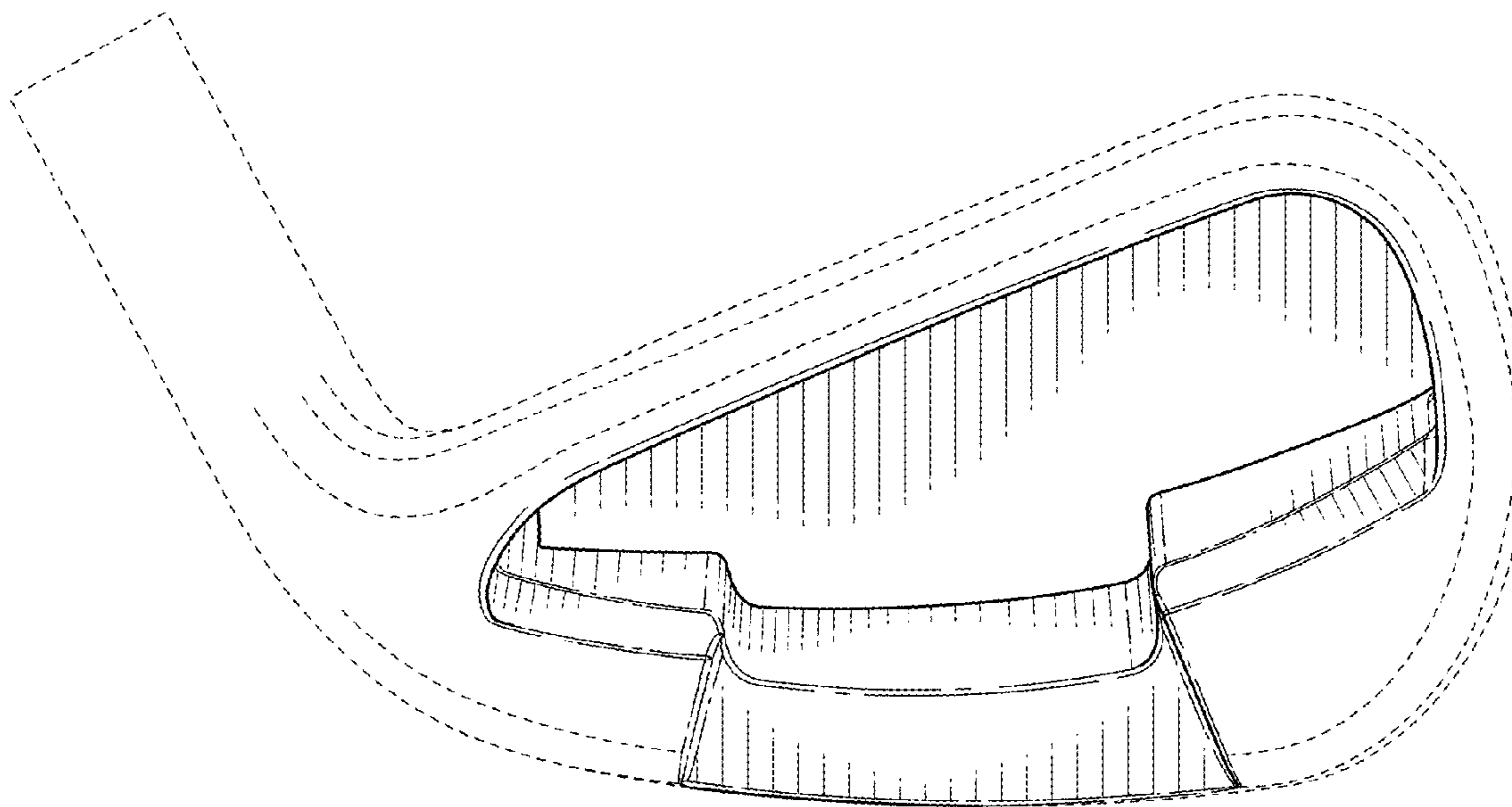
FIG. 5 is right side elevational view thereof;

FIG. 6 is a top plan view thereof; and,

FIG. 7 is a bottom plan view thereof.

The broken line showing of unclaimed portions of the golf club head is included for the purpose of illustrating unclaimed subject matter and forms no part of the claimed design.

1 Claim, 3 Drawing Sheets



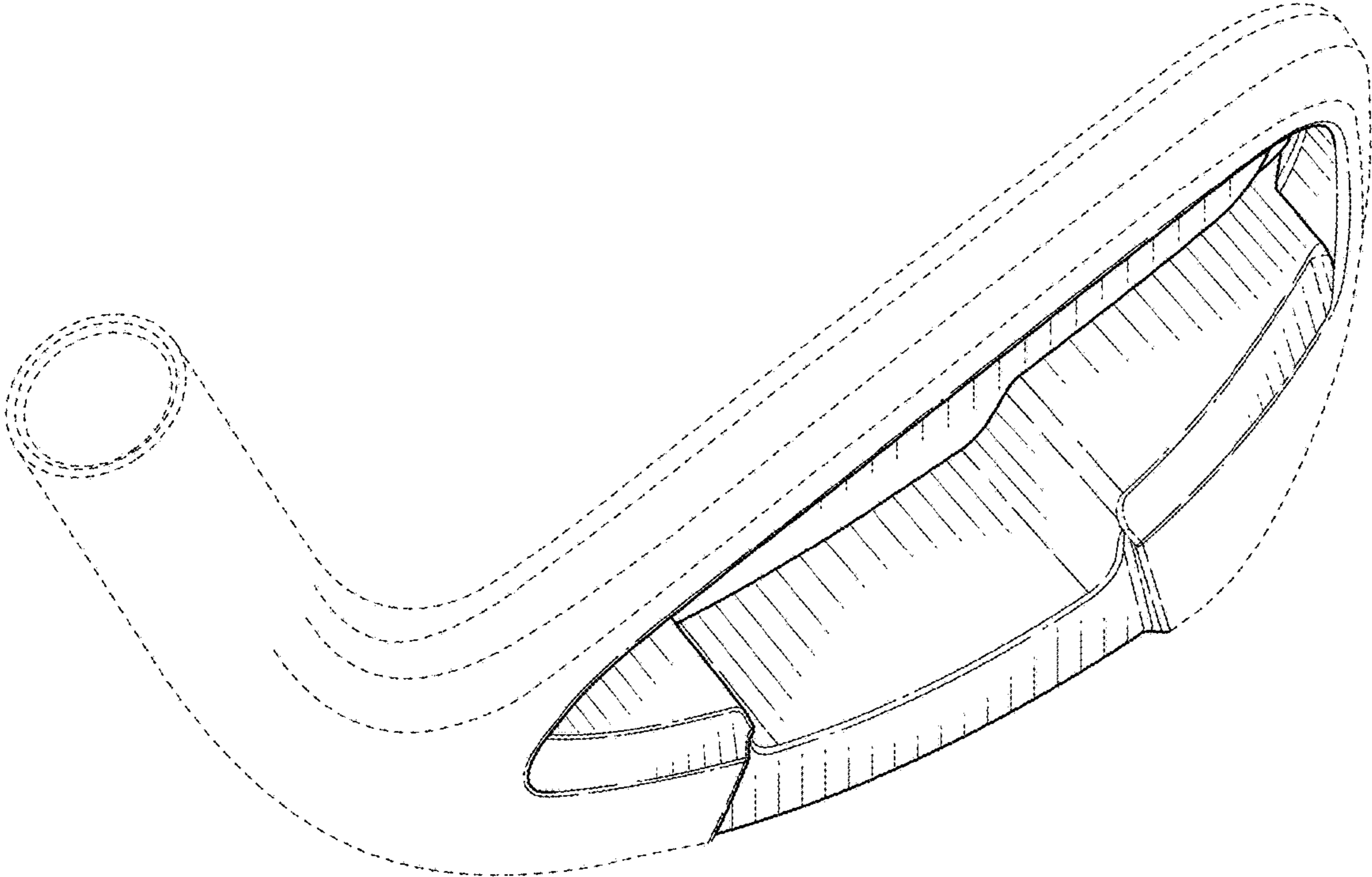


FIG. 1

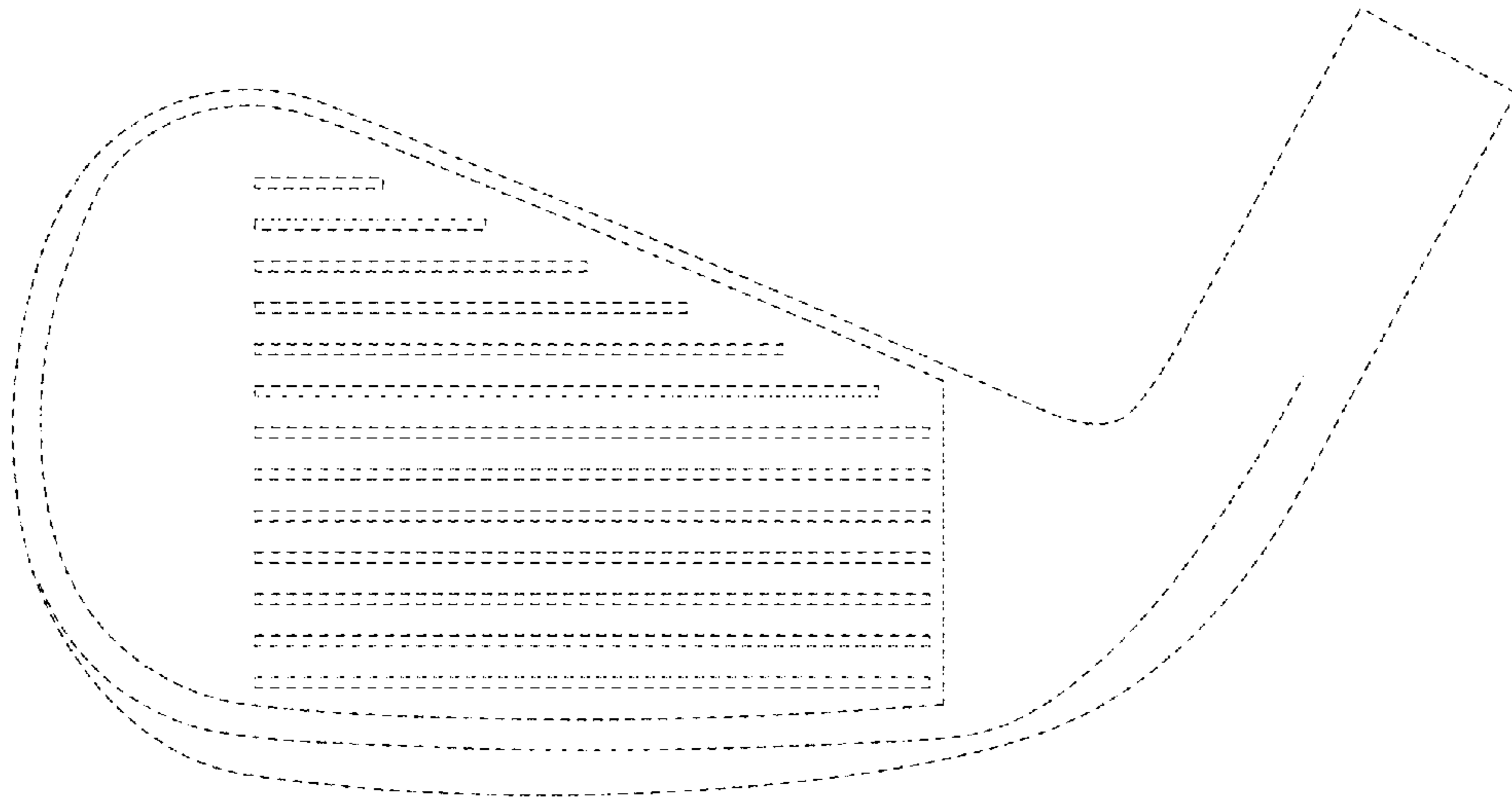


FIG. 2

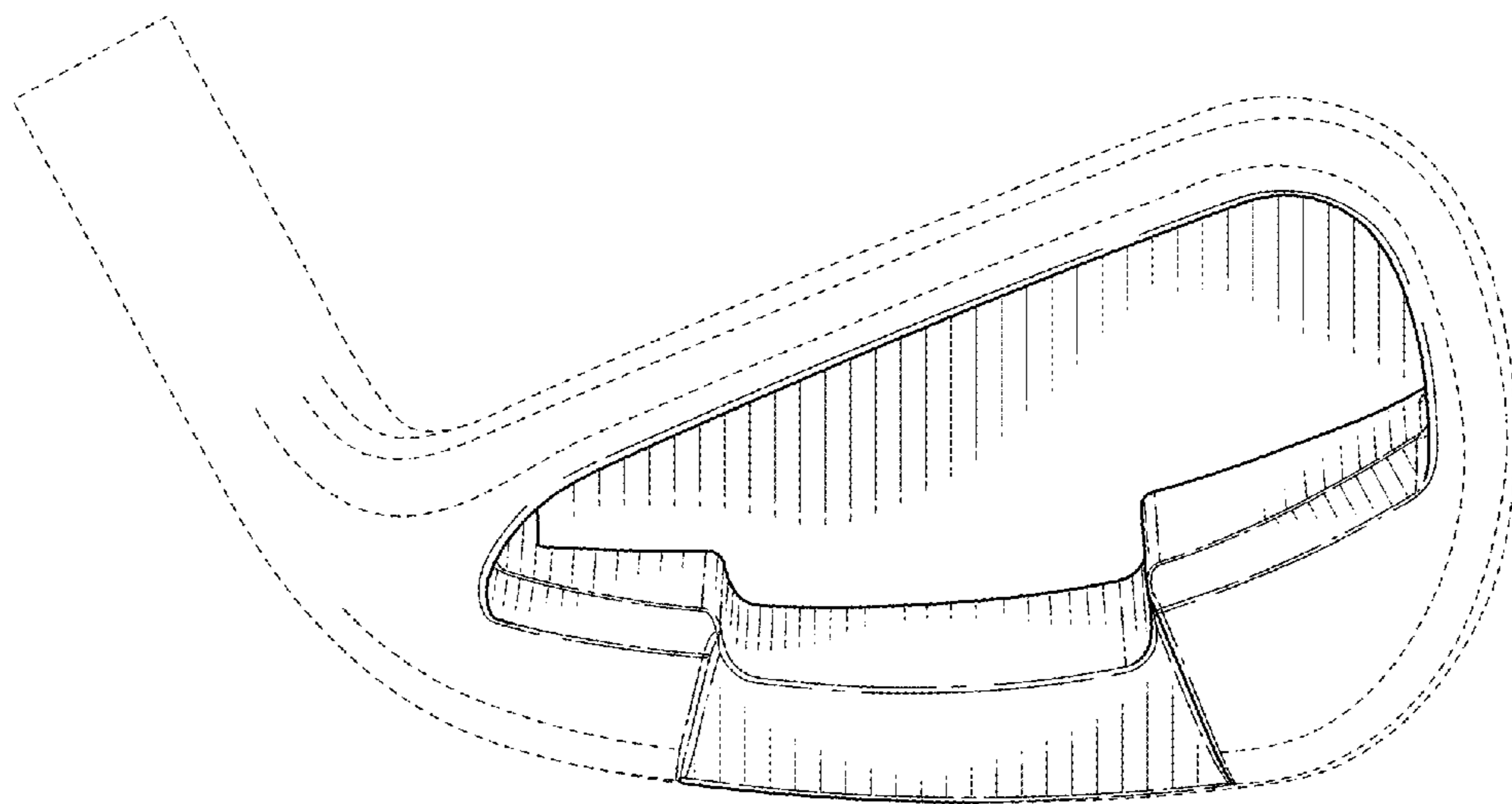


FIG. 3

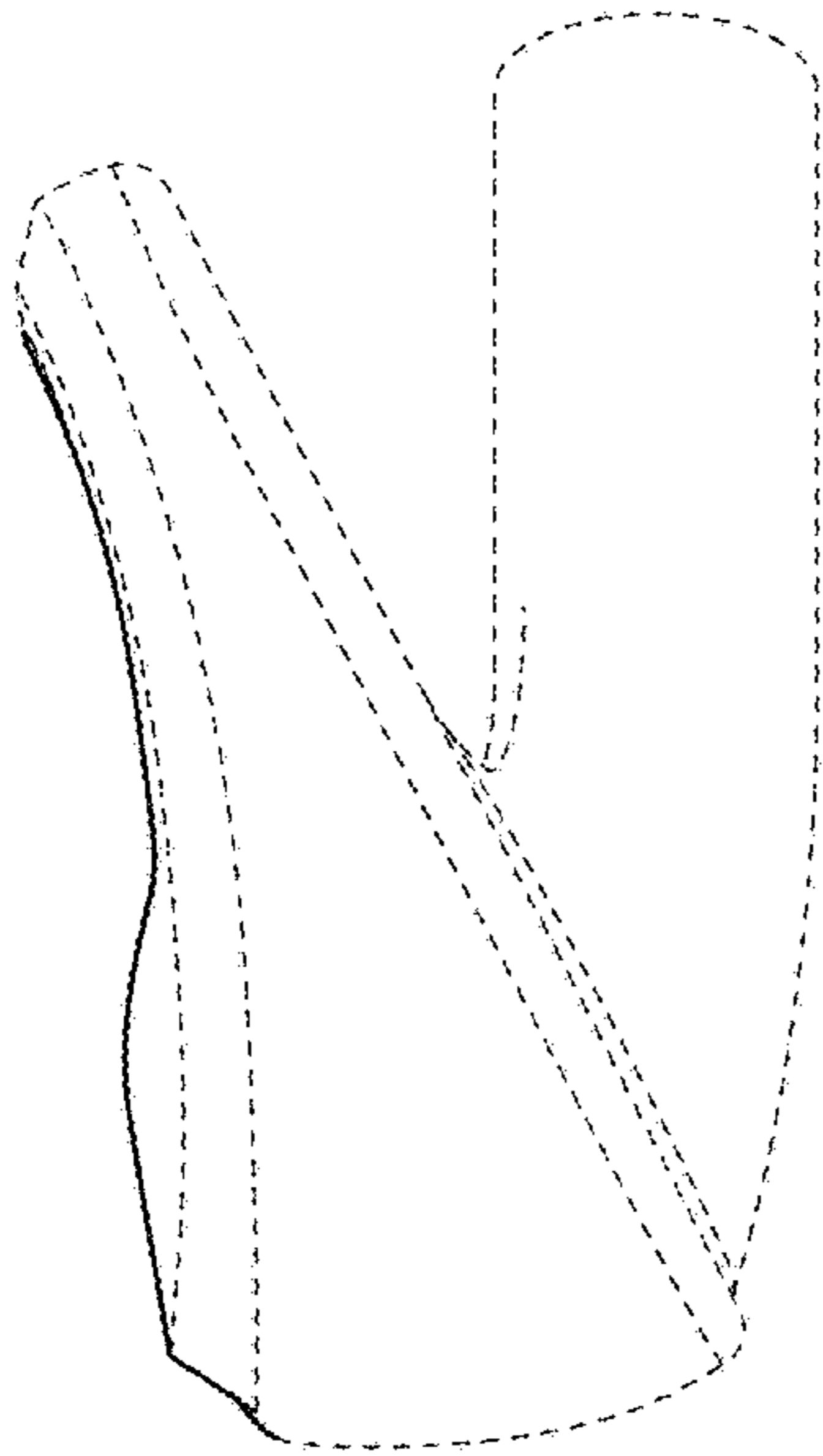


FIG. 4

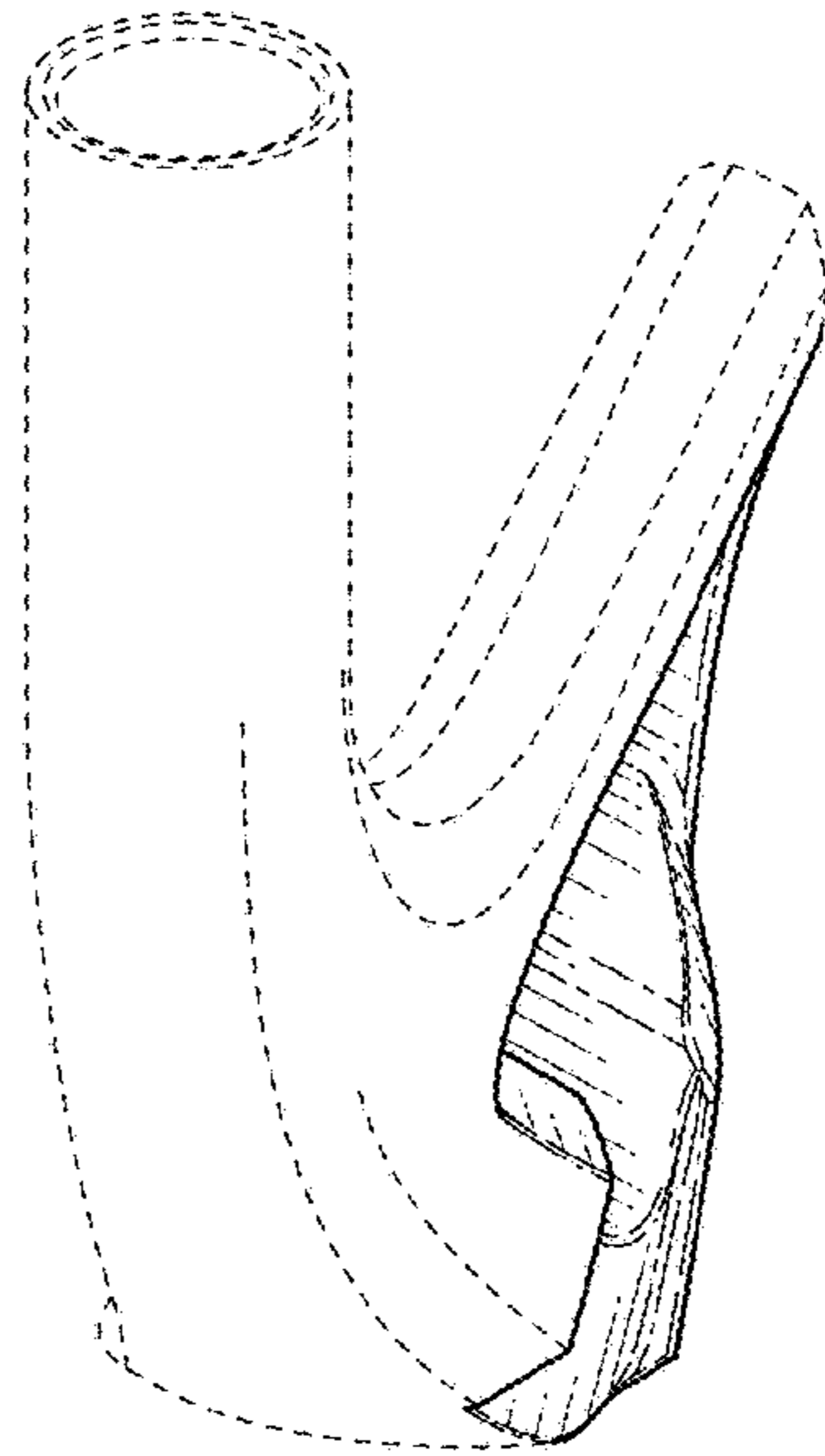


FIG. 5

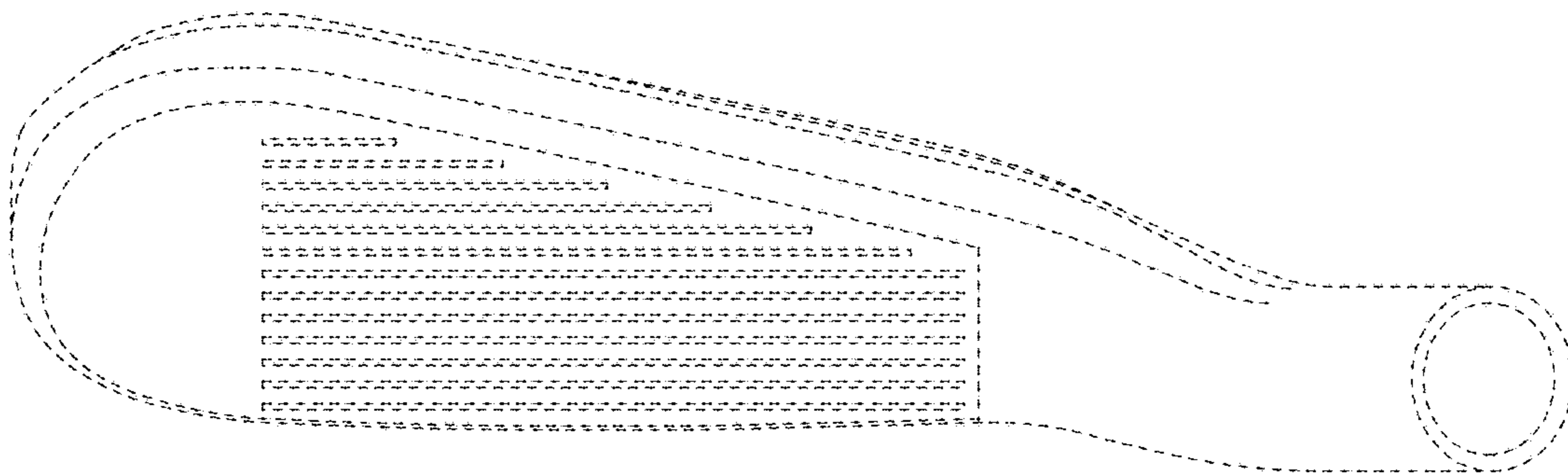


FIG. 6

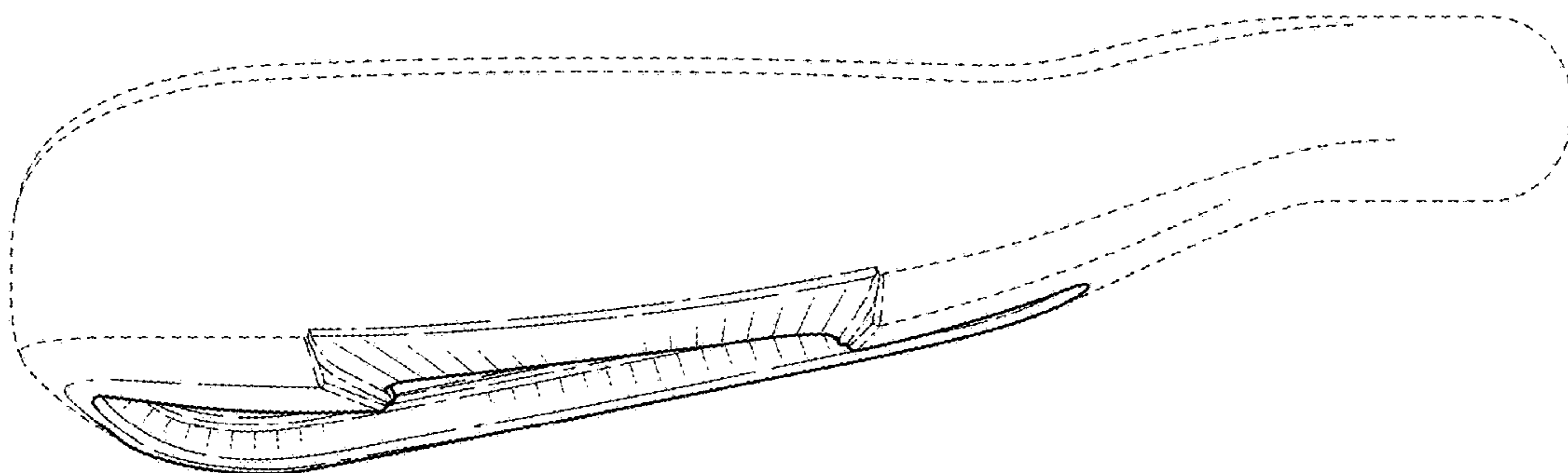


FIG. 7