



US00D834661S

(12) **United States Design Patent**
Saber et al.

(10) **Patent No.:** **US D834,661 S**

(45) **Date of Patent:** **** Nov. 27, 2018**

(54) **DEVICE FOR THROWING OBJECTS**

(71) Applicants: **Michael A. Saber**, Denver, CO (US);
Joseph A. Buescher, Littleton, CO (US)

(72) Inventors: **Michael A. Saber**, Denver, CO (US);
Joseph A. Buescher, Littleton, CO (US)

(73) Assignee: **DAWSON CITY, LLC**, Littleton, CO (US)

(**) Term: **15 Years**

(21) Appl. No.: **29/580,244**

(22) Filed: **Oct. 6, 2016**

(51) **LOC (11) Cl.** **21-02**

(52) **U.S. Cl.**
USPC **D21/722**

(58) **Field of Classification Search**
USPC D21/722, 723, 725, 729, 731; D30/160
CPC A63B 60/00; A63B 60/46; A63B 2102/00;
A63B 2102/10; A63B 2102/12; A63B 2102/28;
A63B 2102/30; A63B 2102/38; A63B 59/00;
A63B 59/40; A63B 59/42; A63B 59/45; A63H 33/18
See application file for complete search history.

(56) **References Cited**

U.S. PATENT DOCUMENTS

530,116 A	12/1894	Murphy	
2,493,245 A	1/1950	Hansen	
3,049,352 A	8/1962	Hancock	
D197,655 S	3/1964	Kuhn et al.	D34/15
3,428,036 A	2/1969	Parker	
3,589,349 A	6/1971	Parker	124/5
3,841,292 A *	10/1974	Hoffman	F41B 3/00 124/41.1
3,898,765 A	8/1975	Lee	46/81
D244,628 S	6/1977	Wright	D21/2
4,030,472 A	6/1977	Watkins	124/5

D249,815 S *	10/1978	Huelskamp	D21/722
4,222,562 A	9/1980	Gardner	273/67
D260,920 S *	9/1981	Marchessault	D21/722
4,302,900 A	12/1981	Rayner	46/29
D266,686 S *	10/1982	Dretzke	D21/722
4,364,371 A	12/1982	Woolard	124/5
D276,063 S *	10/1984	Gervais	D21/722

(Continued)

OTHER PUBLICATIONS

Photographs of two Products offered for sale in 2015 by One Pet Planet of 203 E Alder Street, Portland Oregon (7 pages).

Primary Examiner — Mitchell I. Siegel

(74) *Attorney, Agent, or Firm* — Hayes Soloway P.C.

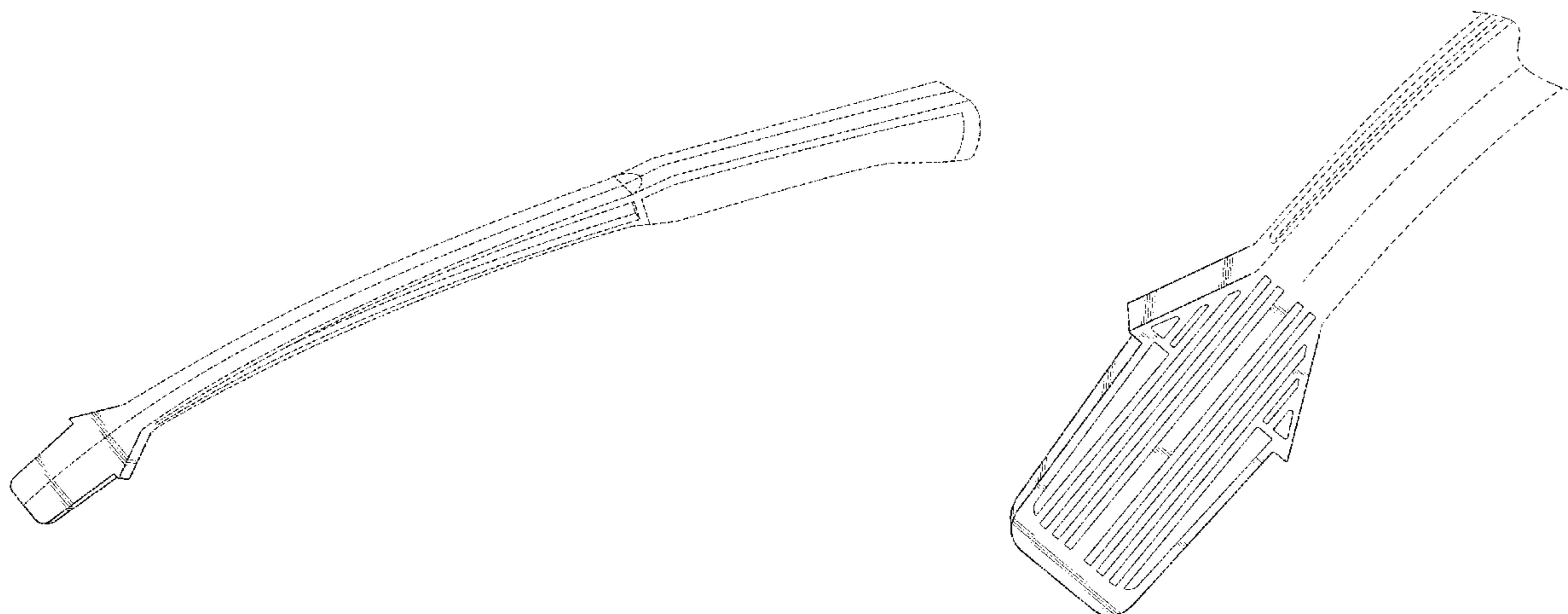
(57) **CLAIM**

The ornamental design for a device for throwing objects, as shown and described.

DESCRIPTION

FIG. 1 is a bottom perspective view of my new design of a device for throwing objects;
FIG. 2 is a view of the left side of my new design of a device for throwing objects;
FIG. 3 is a view of the right side of my new design of a device for throwing objects;
FIG. 4 is a bottom view of my new design of a device for throwing objects;
FIG. 5 is a top view of my new design of a device for throwing objects;
FIG. 6 is a rear view of my new design of a device for throwing objects;
FIG. 7 is a front view of my new design of a device for throwing objects; and,
FIG. 8 is an enlarged fragmented perspective view of my new design of a device for throwing objects.
The broken lines are for illustrative purposes only and form no part of the design.

1 Claim, 5 Drawing Sheets



(56)

References Cited

U.S. PATENT DOCUMENTS

4,549,521 A * 10/1985 Hargrave, Jr. A63H 33/18
124/5
4,850,927 A 7/1989 Caranica 446/369
5,033,743 A 7/1991 Wright 273/60
5,129,650 A * 7/1992 Hayman A63B 59/30
124/5
5,207,420 A 4/1993 Crawford et al. 273/58
D340,752 S * 10/1993 Flynn D21/722
D348,915 S 7/1994 Fraser D21/204
5,399,136 A 3/1995 Bart 482/110
D363,752 S 10/1995 Shumber et al. D21/236
D367,504 S 2/1996 Barzani D21/108
D400,620 S 11/1998 Barton, Jr. D21/713
D408,482 S 4/1999 Morrison D21/708
D411,269 S 6/1999 Albarelli, Jr. D21/712
6,003,470 A 12/1999 Budman 119/711
D418,880 S 1/2000 Albarelli, Jr. D21/443
D421,078 S 2/2000 Weiss, Jr. D21/713
6,024,054 A 2/2000 Matt et al. 119/796
6,048,283 A 4/2000 Albarelli, Jr. 473/567
D424,640 S * 5/2000 Oblack D21/722
6,076,829 A * 6/2000 Oblack A63B 59/20
124/5
6,220,980 B1 4/2001 Adler 473/613
D468,378 S 1/2003 Routzong D21/707
6,651,590 B2 11/2003 Willinger et al. 119/707
6,736,765 B2 5/2004 Wallace et al. 482/106
D498,799 S 11/2004 Kerry D21/662
D505,233 S 5/2005 Viola D30/160
6,896,578 B2 5/2005 Shaw 446/490
D511,029 S 10/2005 Willinger D30/160
7,032,583 B1 4/2006 Hall 124/5

D545,509 S 6/2007 Wang D30/160
D549,889 S 8/2007 Winkler D30/160
D553,809 S 10/2007 Gick D30/160
D554,717 S * 11/2007 McKinnell D21/722
7,326,122 B2 2/2008 Park 473/256
D571,876 S * 6/2008 Perry-Smith D21/722
D599,963 S 9/2009 Crane et al. D30/160
7,686,001 B2 3/2010 Fitt 124/5
D623,247 S 9/2010 Zawitz D21/707
D624,251 S 9/2010 Rutherford D30/160
D630,277 S * 1/2011 McKinnell D21/722
7,878,929 B2 * 2/2011 Perry-Smith A63H 27/14
473/505
D634,489 S * 3/2011 Page D21/722
D637,248 S * 5/2011 Levin D21/722
D640,018 S 6/2011 Rutherford D30/160
D640,338 S * 6/2011 Oblack D21/722
8,104,145 B1 1/2012 Hajianpour 16/428
D655,359 S * 3/2012 Thorogood D21/722
D658,243 S 4/2012 Saber et al. D21/713
D660,384 S 5/2012 Saber et al. D21/707
D666,686 S * 9/2012 Burger D21/722
8,312,844 B2 11/2012 Mann 119/709
D674,851 S * 1/2013 Osborne D21/722
D695,358 S 12/2013 Saber et al. D21/398
D706,884 S * 6/2014 Saber D21/722
8,973,564 B1 3/2015 Saber et al. 124/5
D731,603 S * 6/2015 Blonk D21/722
2004/0029656 A1 2/2004 Vannoy 473/505
2006/0162675 A1 7/2006 Ghalebi et al. 119/796
2007/0207871 A1 9/2007 Traub 473/125
2010/0024741 A1 2/2010 Schoppman 119/795
2011/0185980 A1 8/2011 Chefetz et al. 119/709
2013/0074780 A1 3/2013 Wechsler 119/710

* cited by examiner

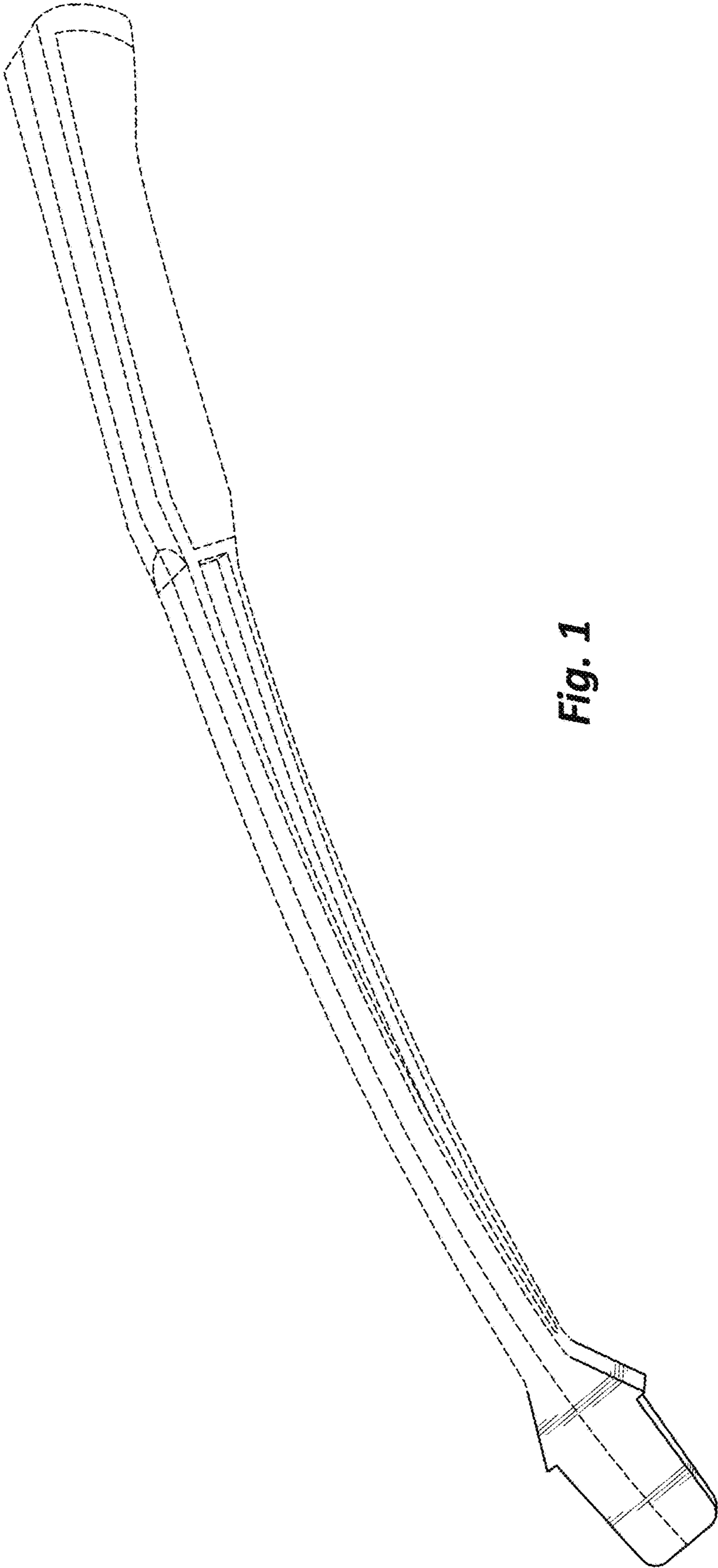


Fig. 1

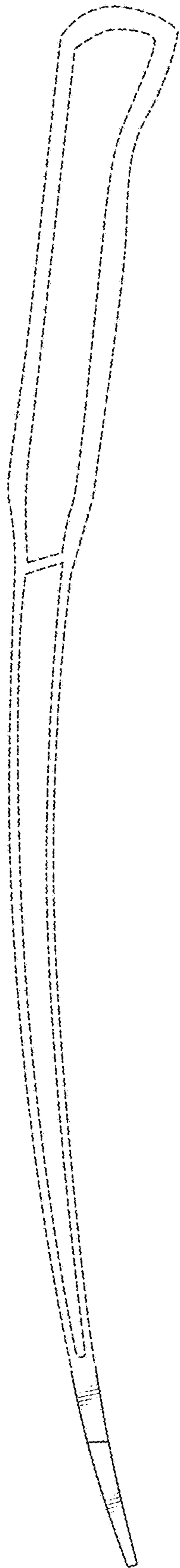


Fig. 2

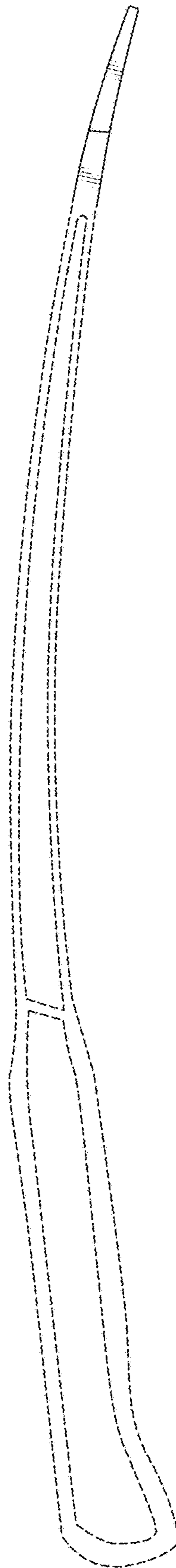


Fig. 3

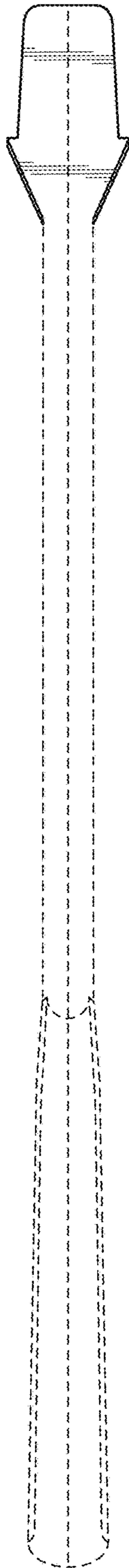


Fig. 4

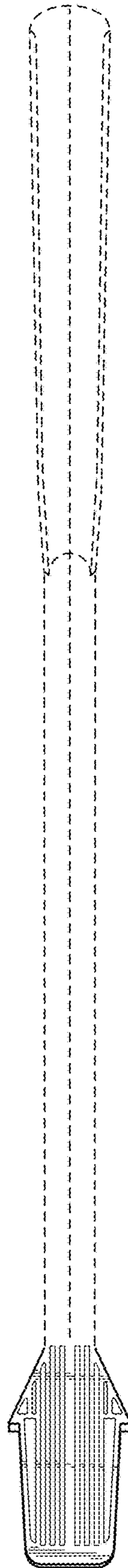


Fig. 5

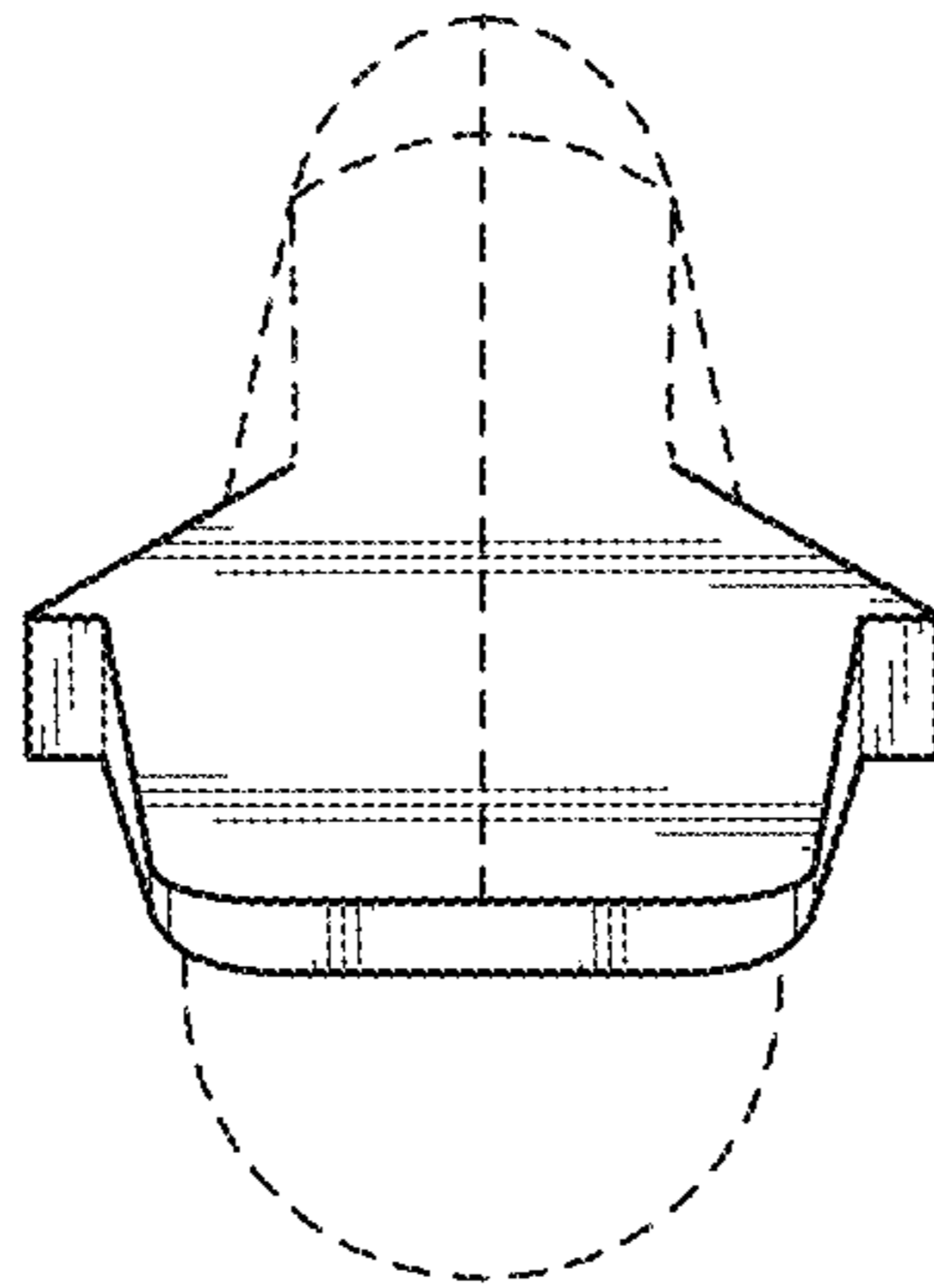


Fig. 6

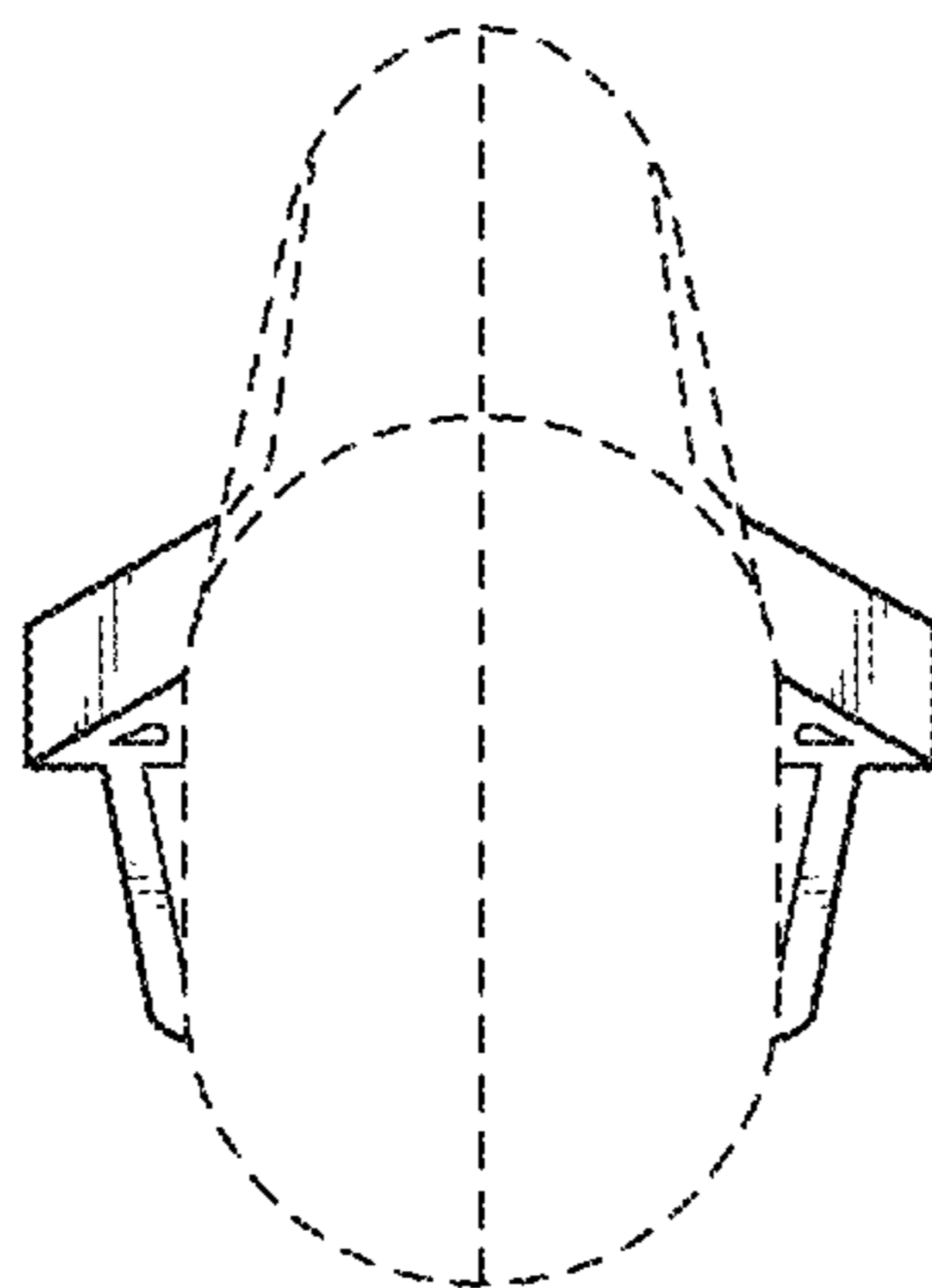


Fig. 7

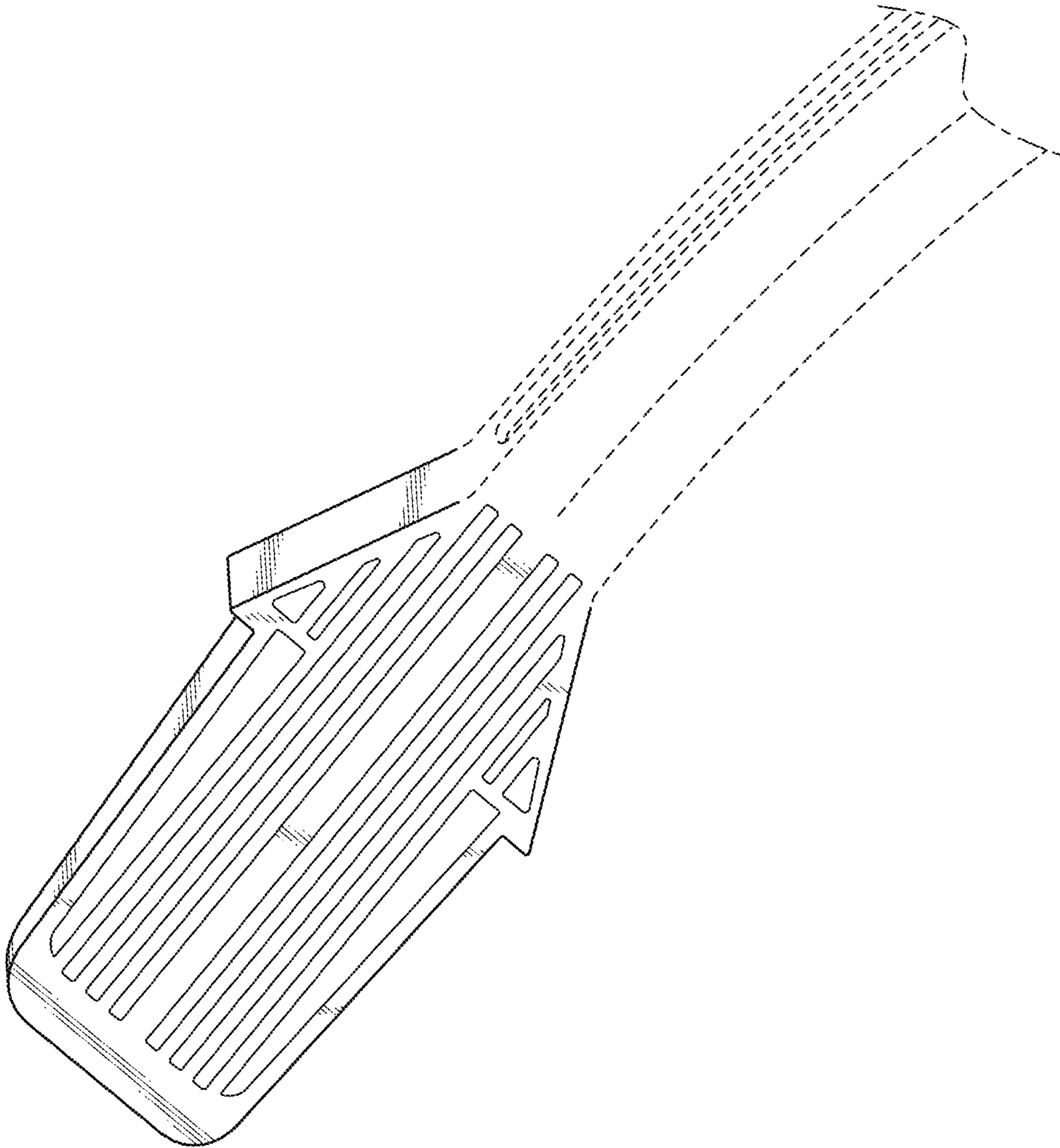


Fig. 8