



US00D834660S

(12) **United States Design Patent** (10) **Patent No.:** **US D834,660 S**
Petek (45) **Date of Patent:** **** Nov. 27, 2018**

(54) **WEIGHT BAR**
(71) Applicant: **Richard C. Petek**, Medina, OH (US)
(72) Inventor: **Richard C. Petek**, Medina, OH (US)
(**) Term: **15 Years**
(21) Appl. No.: **29/622,634**
(22) Filed: **Oct. 18, 2017**

D317,641 S * 6/1991 Gerard D21/682
D320,249 S * 9/1991 Gerard D21/682
5,725,461 A * 3/1998 Bogard, II A63B 21/072
482/106
D425,151 S * 5/2000 Landfair D21/679
6,390,959 B1 * 5/2002 Tornabene A63B 21/00043
482/122
D508,097 S * 8/2005 Perez D21/662
7,097,601 B1 * 8/2006 Ronnow A63B 21/072
482/106
D686,286 S * 7/2013 Orakwusi D21/679
8,556,781 B1 * 10/2013 Fitzpatrick A63B 21/0724
482/106

Related U.S. Application Data

(Continued)

(63) Continuation of application No. 29/562,564, filed on Apr. 27, 2016, now Pat. No. Des. 806,188.
(51) **LOC (11) Cl.** **21-02**
(52) **U.S. Cl.**
USPC **D21/682**
(58) **Field of Classification Search**
USPC D21/680, 682, 681, 678, 662, 679, 684,
D21/686, 801, 694; 173/102, 103, 118,
173/126, 133; 482/108, 93, 110, 111,
482/105, 8, 107, 106, 139, 94, 104, 140,
482/109, 51, 70, 74, 98, 1, 121, 55;
D9/680, 629, 456; D8/85, 45, 107, 90,
D8/317, 387, 397, 343, 31, 75, 14;
D11/81, 91, 56, 80, 7, 52, 14, 201;
D12/215
CPC A63B 21/4035; A63B 21/0552; A63B
23/0211; A63B 21/0728; A63B 21/075;
A63B 21/072
See application file for complete search history.

OTHER PUBLICATIONS

Mutt Bars by Rogue Fitness dated Dec. 19, 2016. Found online [Dec. 19, 2017] <https://www.roguefitness.com/mutt-bars>.*

Primary Examiner — Philip S Hyder
Assistant Examiner — Ryan Harvey
(74) *Attorney, Agent, or Firm* — Tucker Ellis LLP

(57) **CLAIM**

The ornamental design for a weight bar, as shown and described.

DESCRIPTION

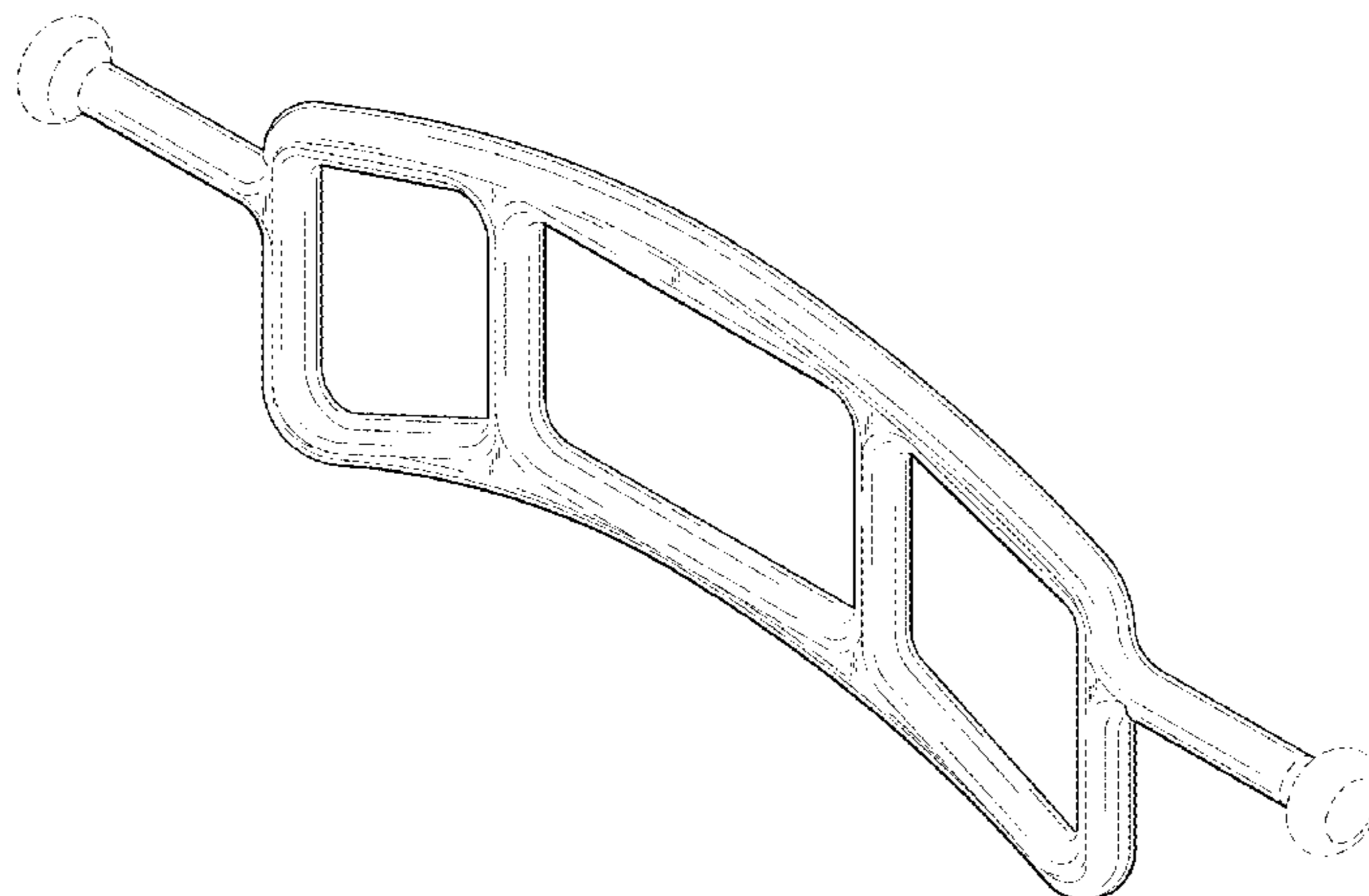
FIG. 1 is a perspective view of a weight bar showing my new design;
FIG. 2 is a front view thereof;
FIG. 3 is a rear view thereof;
FIG. 4 is a left side view thereof;
FIG. 5 is a right side view thereof;
FIG. 6 is a top view thereof; and,
FIG. 7 is a bottom view thereof.
The broken line showing of portions of the weight bar depicts environment and forms no part of the claimed design.

(56) **References Cited**

U.S. PATENT DOCUMENTS

4,018,442 A * 4/1977 Caller A63B 21/0724
482/106
D261,788 S * 11/1981 Burns D21/682
4,406,453 A * 9/1983 Herzfeld A63B 21/0004
482/126
4,461,473 A * 7/1984 Cole A63B 21/0004
482/106

1 Claim, 5 Drawing Sheets



(56)

References Cited

U.S. PATENT DOCUMENTS

8,574,136 B1 * 11/2013 Burstrom A63B 69/0057
482/108
8,951,170 B1 * 2/2015 Tayo A63B 21/0724
482/107
D725,722 S * 3/2015 Conaway D21/679
D731,008 S * 6/2015 Orakwusi D21/681
9,254,408 B1 * 2/2016 Otto A63B 21/055
D803,956 S * 11/2017 Sutton D21/680
D805,139 S * 12/2017 Bailey D21/681
2003/0130096 A1 * 7/2003 LaCroce A63B 21/0724
482/106
2016/0051857 A1 * 2/2016 Rasner A63B 21/4035
482/92
2017/0106226 A1 * 4/2017 Mann A63B 21/0724

* cited by examiner

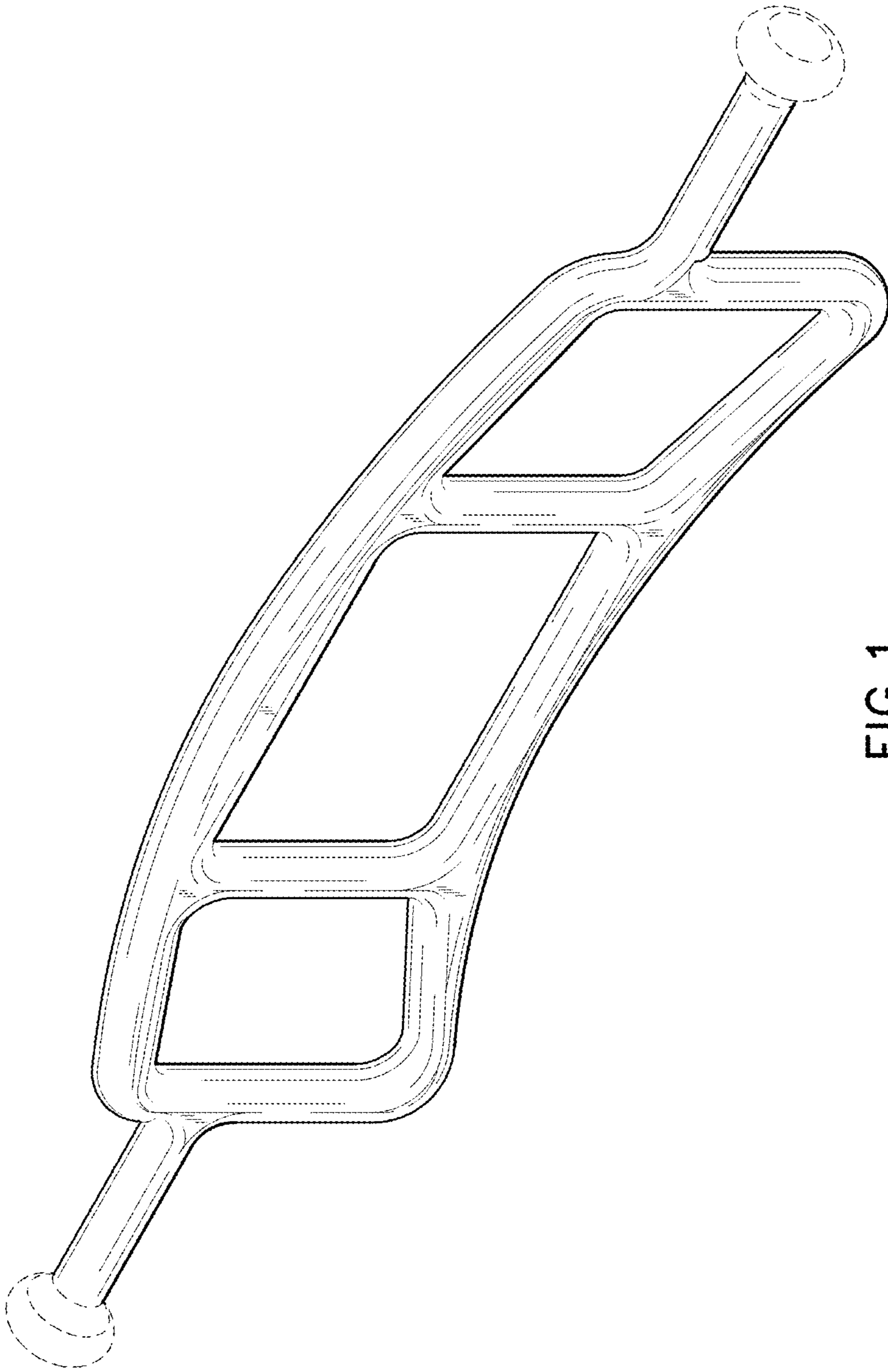


FIG.1

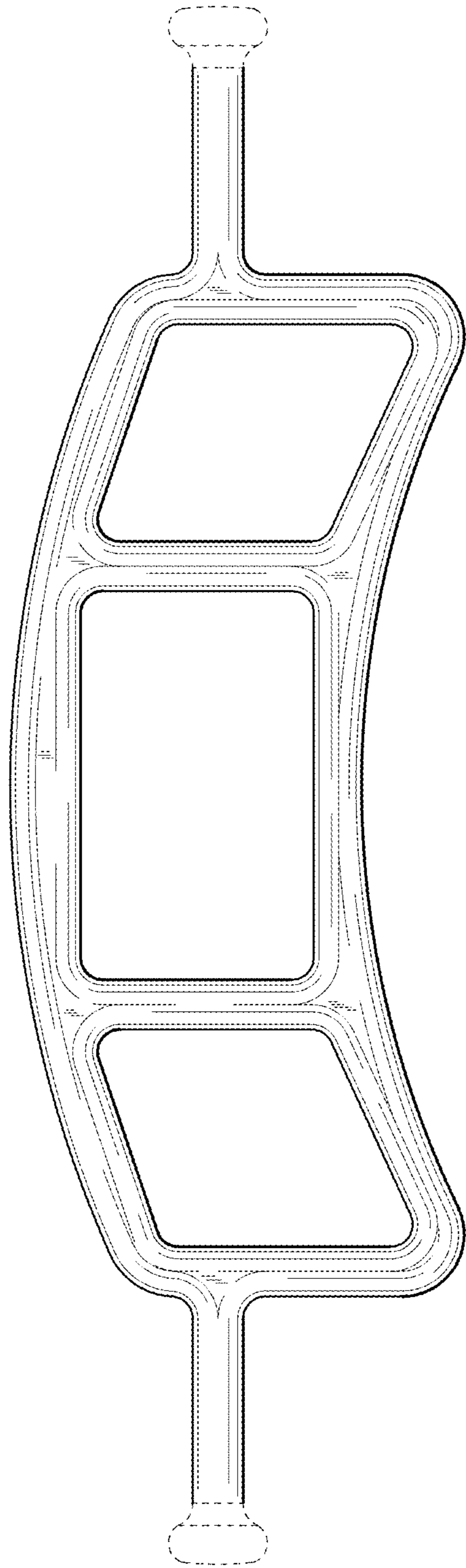


FIG.2

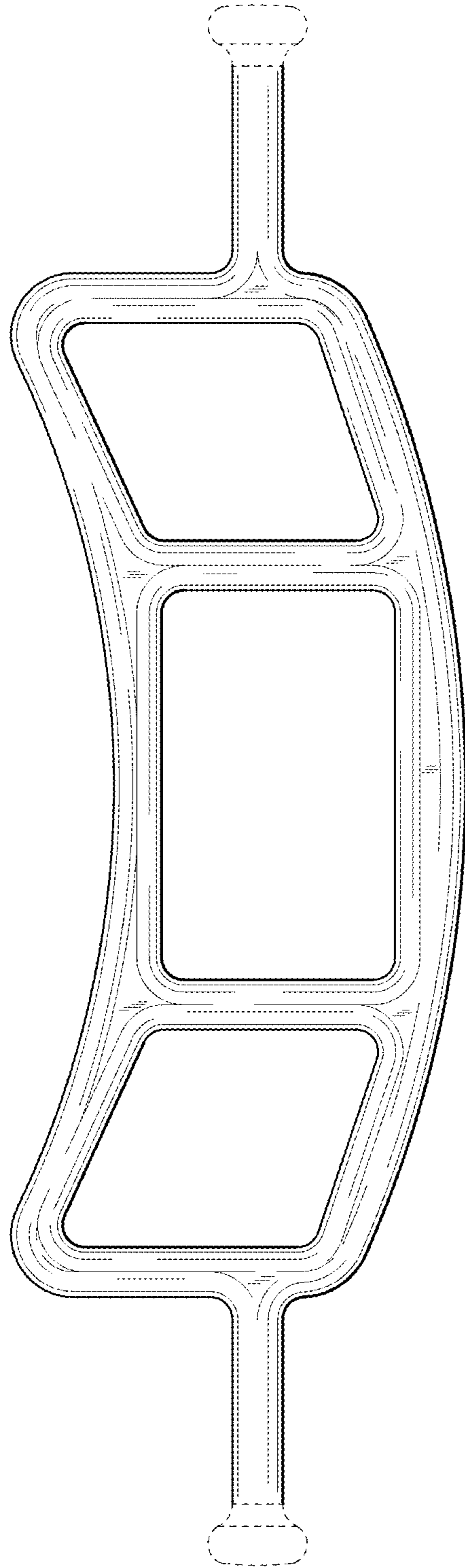


FIG.3

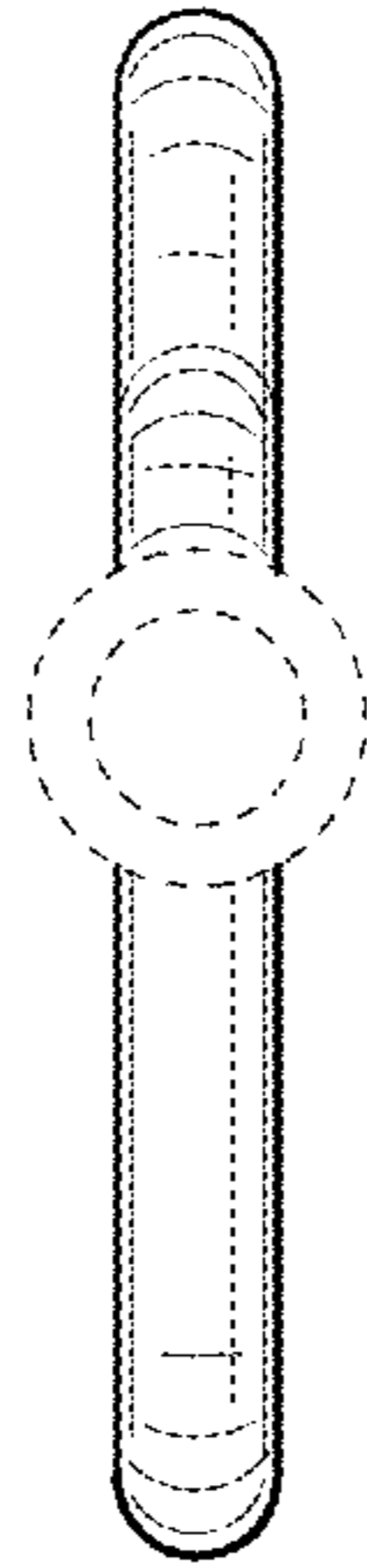


FIG. 4

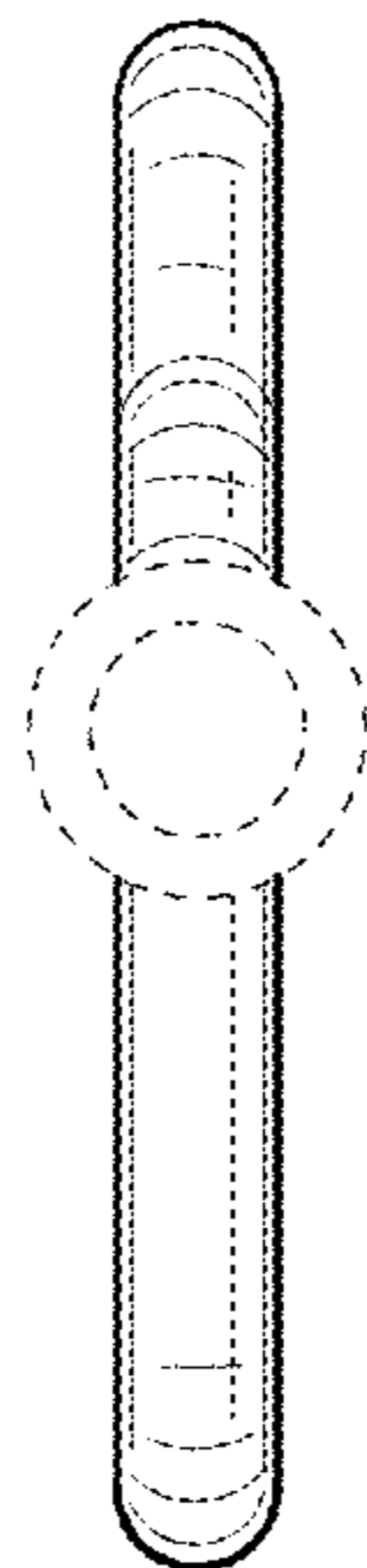


FIG. 5

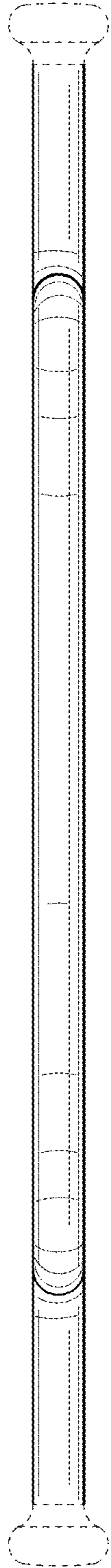


FIG. 6

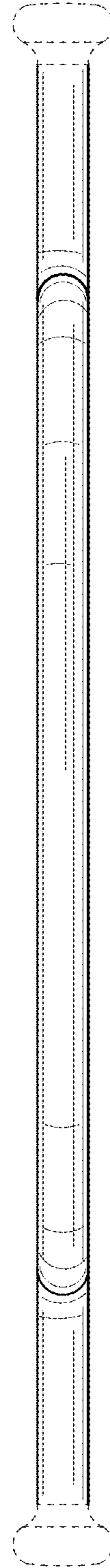


FIG. 7