



US00D834659S

(12) **United States Design Patent**  
**Chen**

(10) **Patent No.:** **US D834,659 S**

(45) **Date of Patent:** **\*\* Nov. 27, 2018**

(54) **ROCK CLIMBING EXERCISE EQUIPMENT**

(71) Applicant: **Xuejun Chen**, Yongkang (CN)

(72) Inventor: **Xuejun Chen**, Yongkang (CN)

(73) Assignee: **Zhejiang Meier Fitness Co., Ltd.**,  
Yongkang, Zhejiang Province (CN)

(\*\*) Term: **15 Years**

(21) Appl. No.: **29/567,536**

(22) Filed: **Jun. 9, 2016**

(30) **Foreign Application Priority Data**

Mar. 23, 2016 (CN) ..... 2016 3 0085786

(51) **LOC (11) Cl.** ..... **21-02**

(52) **U.S. Cl.**  
USPC ..... **D21/670**

(58) **Field of Classification Search**  
USPC ..... D21/662, 668, 669, 670, 671, 676  
CPC ..... A63B 24/0062; A63B 24/0087; A63B  
24/0075; A63B 22/0605; A63B  
2024/0065; A63B 21/225; A63B 21/4034;  
A63B 21/4035; A63B 2220/12; A63B  
22/02; A63B 22/0664; A63B 71/0622;  
A63B 2024/0068; A63B 2024/0093;  
A63B 25/00; A63B 22/14; A61H 1/0266;  
Y10S 482/907

See application file for complete search history.

(56) **References Cited**

**U.S. PATENT DOCUMENTS**

5,000,441 A \* 3/1991 Wang ..... A63B 22/0002  
482/112  
5,007,631 A \* 4/1991 Wang ..... A63B 22/001  
482/119  
D319,275 S \* 8/1991 Hurt ..... D21/670  
5,040,785 A \* 8/1991 Charnitski ..... A63B 22/001  
482/51

D323,008 S \* 1/1992 Wang ..... D21/670  
D326,491 S \* 5/1992 Dalebout ..... D21/670  
D326,695 S \* 6/1992 Evans ..... D21/670  
D329,478 S \* 9/1992 Wang ..... D21/670  
5,222,927 A \* 6/1993 Chang ..... A63B 21/0552  
482/126  
D348,496 S \* 7/1994 Lertyaovarit ..... D21/670

(Continued)

**OTHER PUBLICATIONS**

XJ-CM-15B Climbing machine, [online], [site visited Dec. 19, 2017]. Available from Internet, URL: <http://www.zjmeier.com/index.php?ac=article&at=read&did=1153>.\*

(Continued)

*Primary Examiner* — Caron D Veynar

*Assistant Examiner* — Katrina N Gonzalez

(74) *Attorney, Agent, or Firm* — Edwin D. Schindler

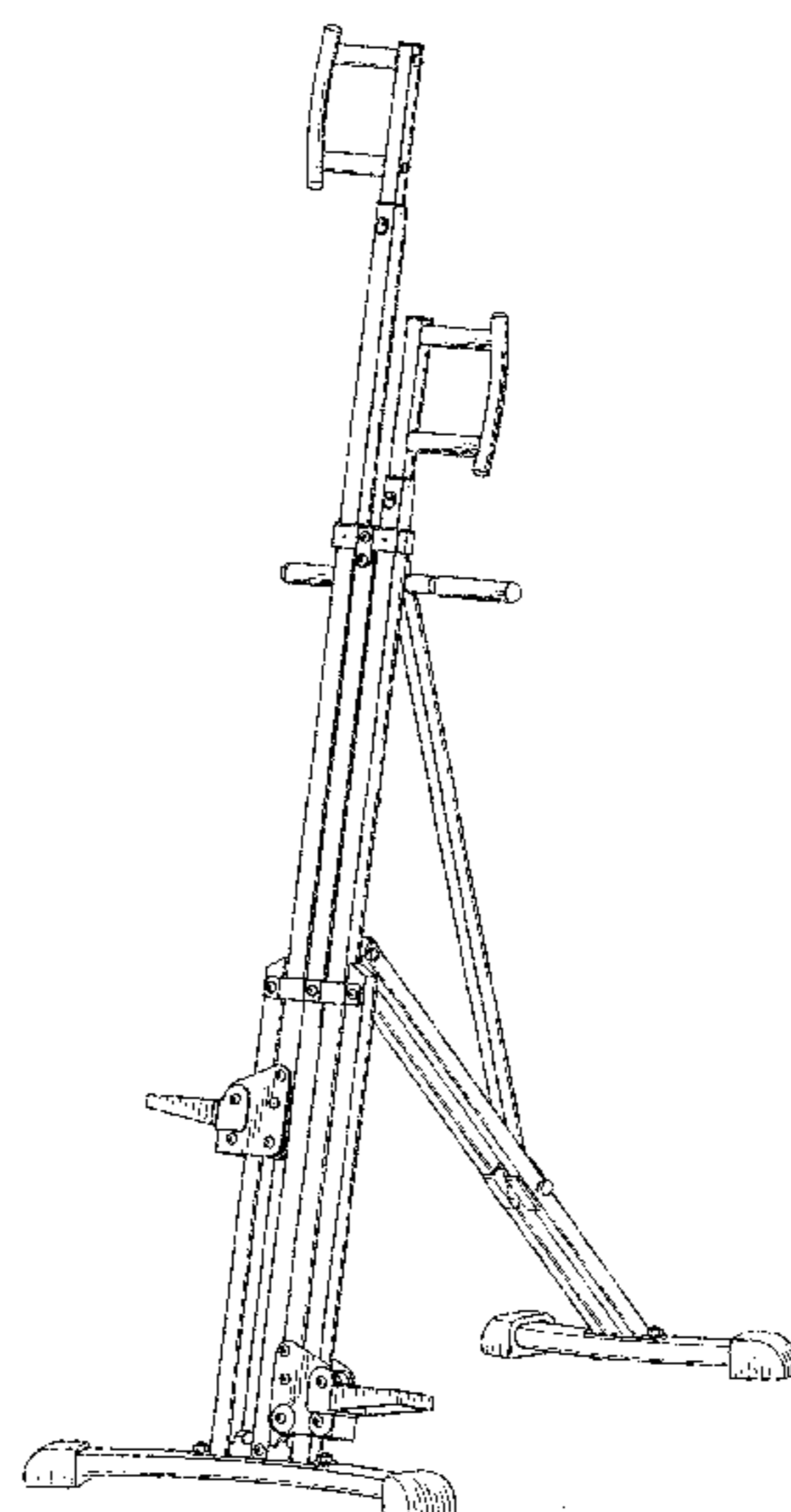
(57) **CLAIM**

The ornamental design for a rock climbing exercise equipment, as shown and described.

**DESCRIPTION**

FIG. 1 is a front, perspective view of a rock climbing exercise equipment showing the present design;  
FIG. 2 is a front view of the rock climbing exercise equipment of FIG. 1;  
FIG. 3 is a rear view of the rock climbing exercise equipment of FIG. 1;  
FIG. 4 is a left-side view of the rock climbing exercise equipment of FIG. 1;  
FIG. 5 is a right-side view of the rock climbing exercise equipment of FIG. 1;  
FIG. 6 is a bottom plan view of the rock climbing exercise equipment of FIG. 1; and,  
FIG. 7 is a top plan view of the rock climbing exercise equipment of FIG. 1.

**1 Claim, 6 Drawing Sheets**



(56)

**References Cited**

U.S. PATENT DOCUMENTS

5,370,592 A \* 12/1994 Wu ..... A63B 21/0083  
482/112  
D355,228 S \* 2/1995 Hung ..... D21/670  
5,492,515 A \* 2/1996 Charnitski ..... A63B 22/001  
482/37  
7,288,052 B1 \* 10/2007 Guillaume ..... A63B 21/055  
482/121  
D759,169 S \* 6/2016 Humberto Mercenari Uribe .....  
D21/670  
D802,688 S \* 11/2017 Sun ..... D21/670  
2002/0198082 A1 \* 12/2002 Arroyo ..... A63B 23/03575  
482/51

OTHER PUBLICATIONS

XJ-CM-08 Climbing machine, [online], [site visited Dec. 19, 2017]. Available from Internet, URL: <http://www.zjmeier.com/index.php?ac=article&at=read&did=1151>.\*

XJ-CM-08B Climbing machine, [online], [site visited Dec. 19, 2017]. Available from Internet, URL: <http://www.zjmeier.com/index.php?ac=article&at=read&did=1152>.\*

XJ-CM-01B, [online], [site visited Dec. 19, 2017]. Available from Internet, URL: <http://www.zjmeier.com/index.php?ac=article&at=read&did=1146>.\*

\* cited by examiner

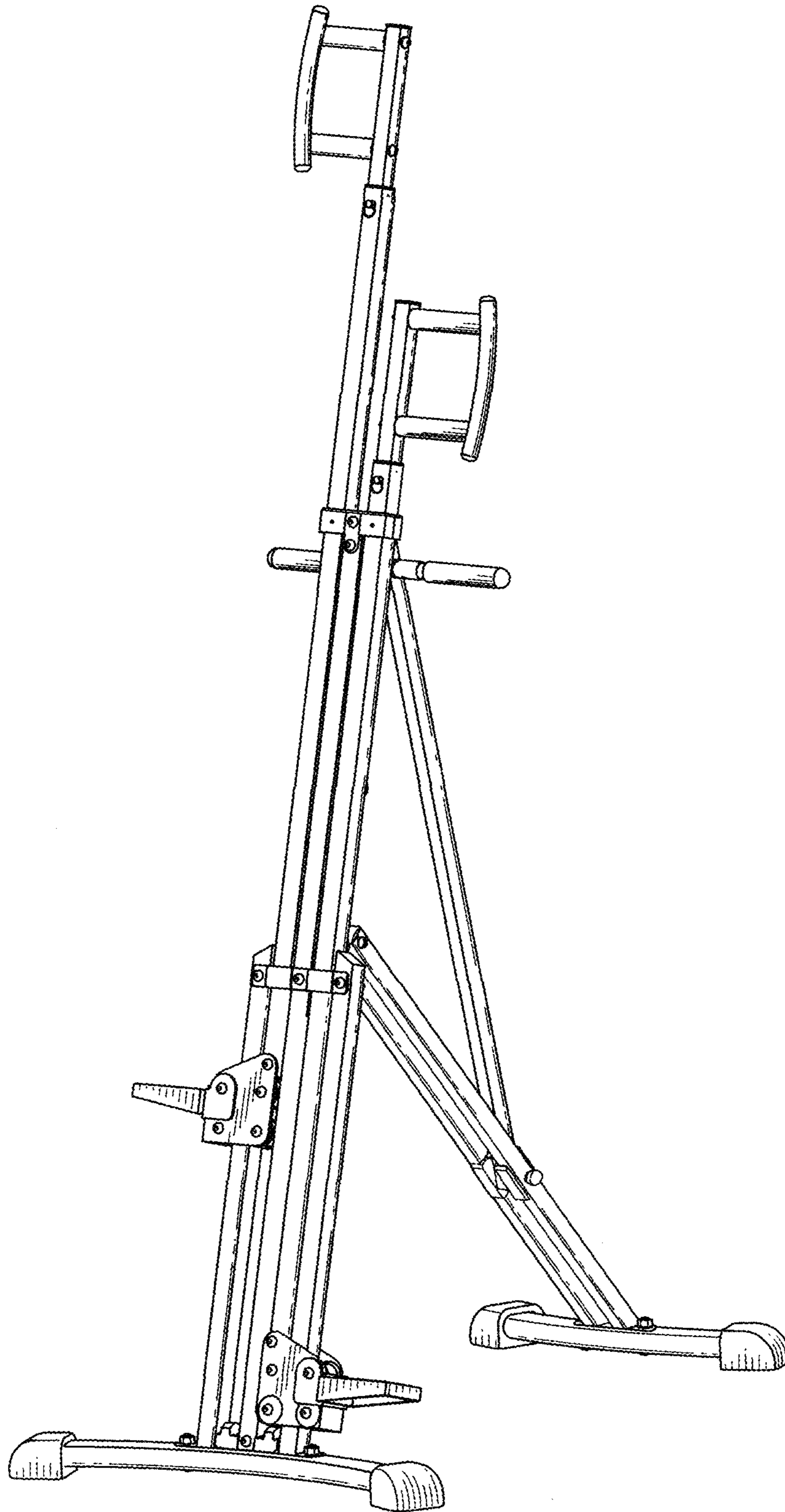


FIG. 1

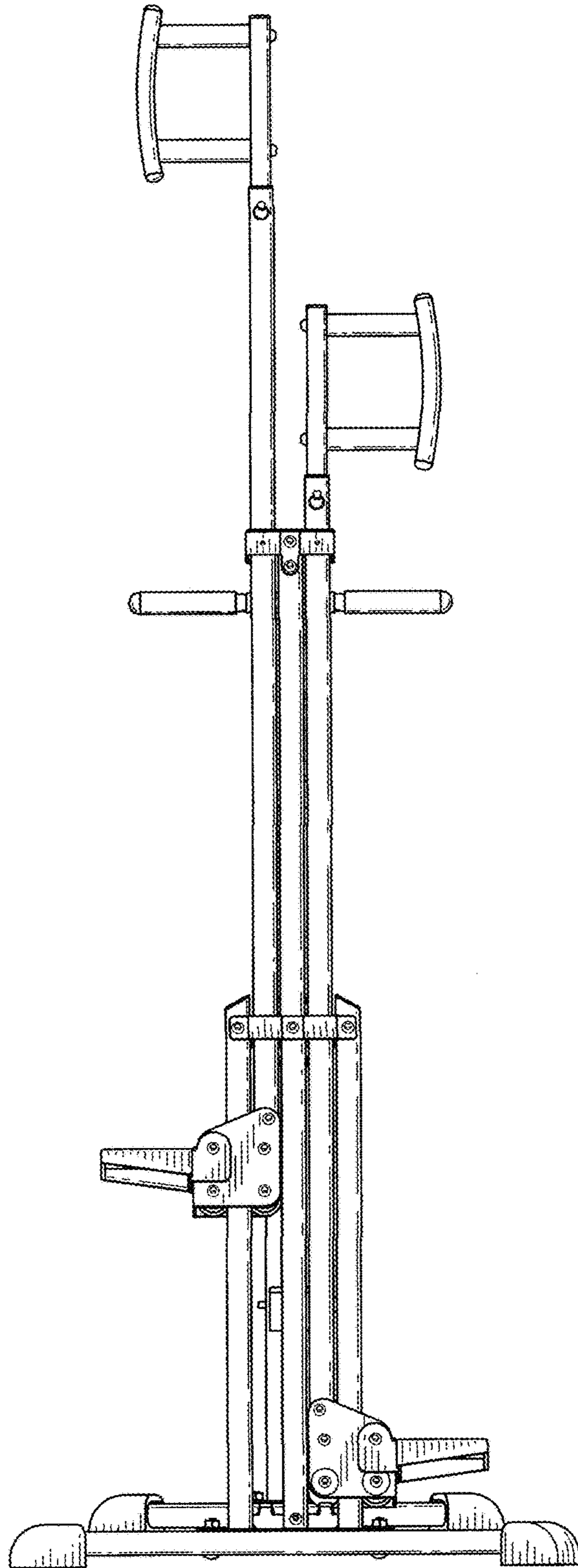


FIG. 2

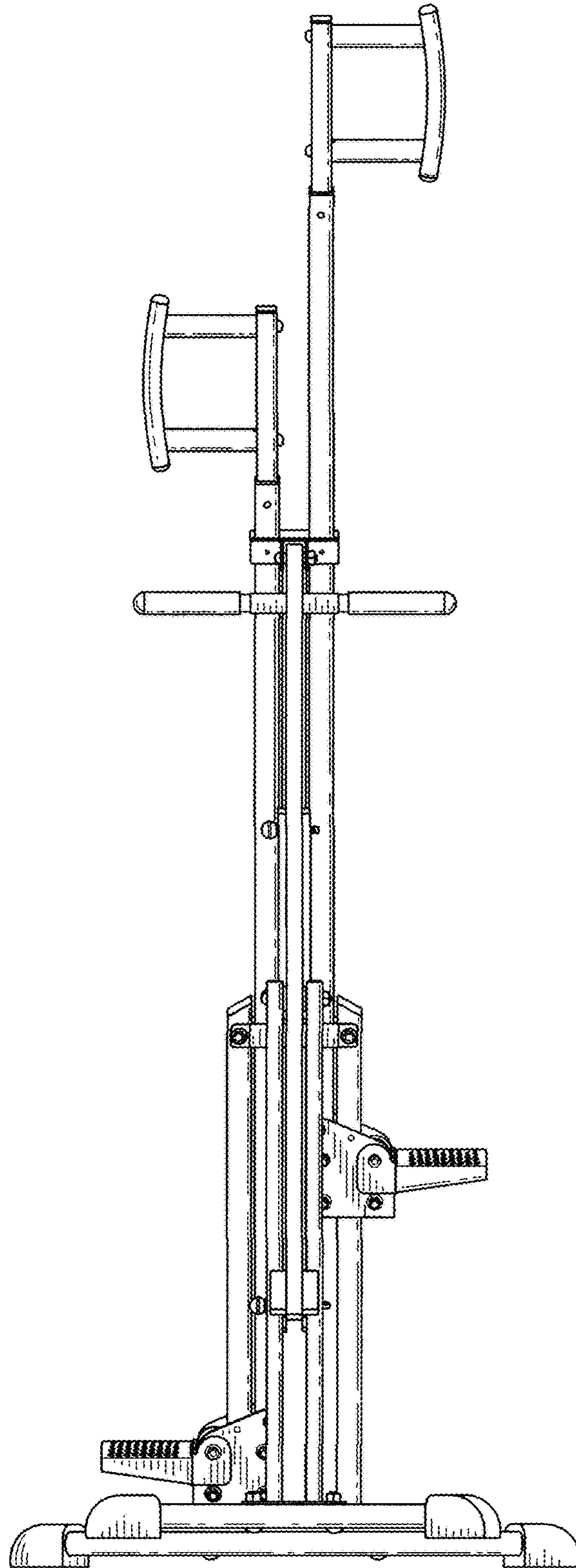


FIG. 3



FIG. 4

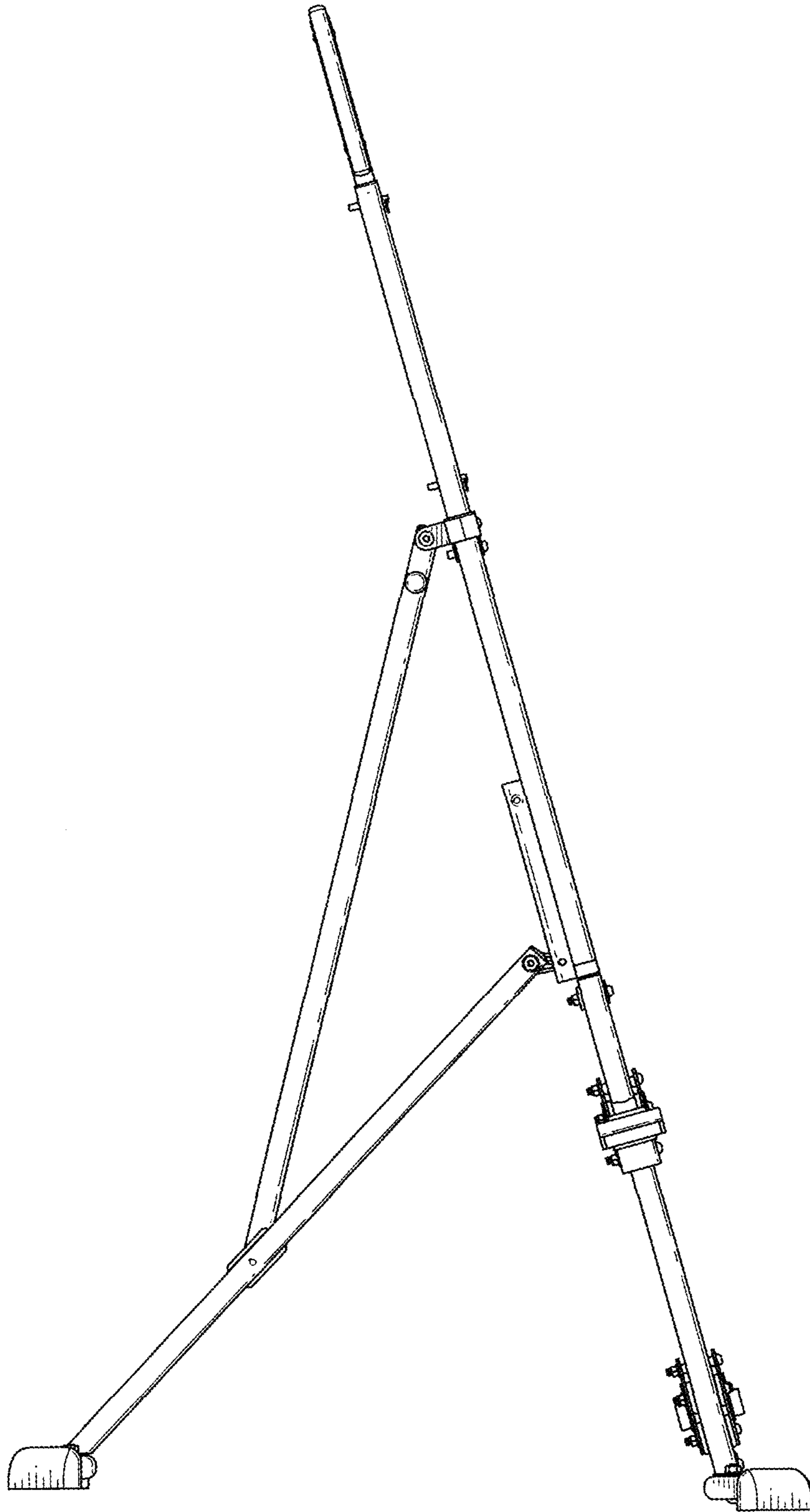


FIG. 5

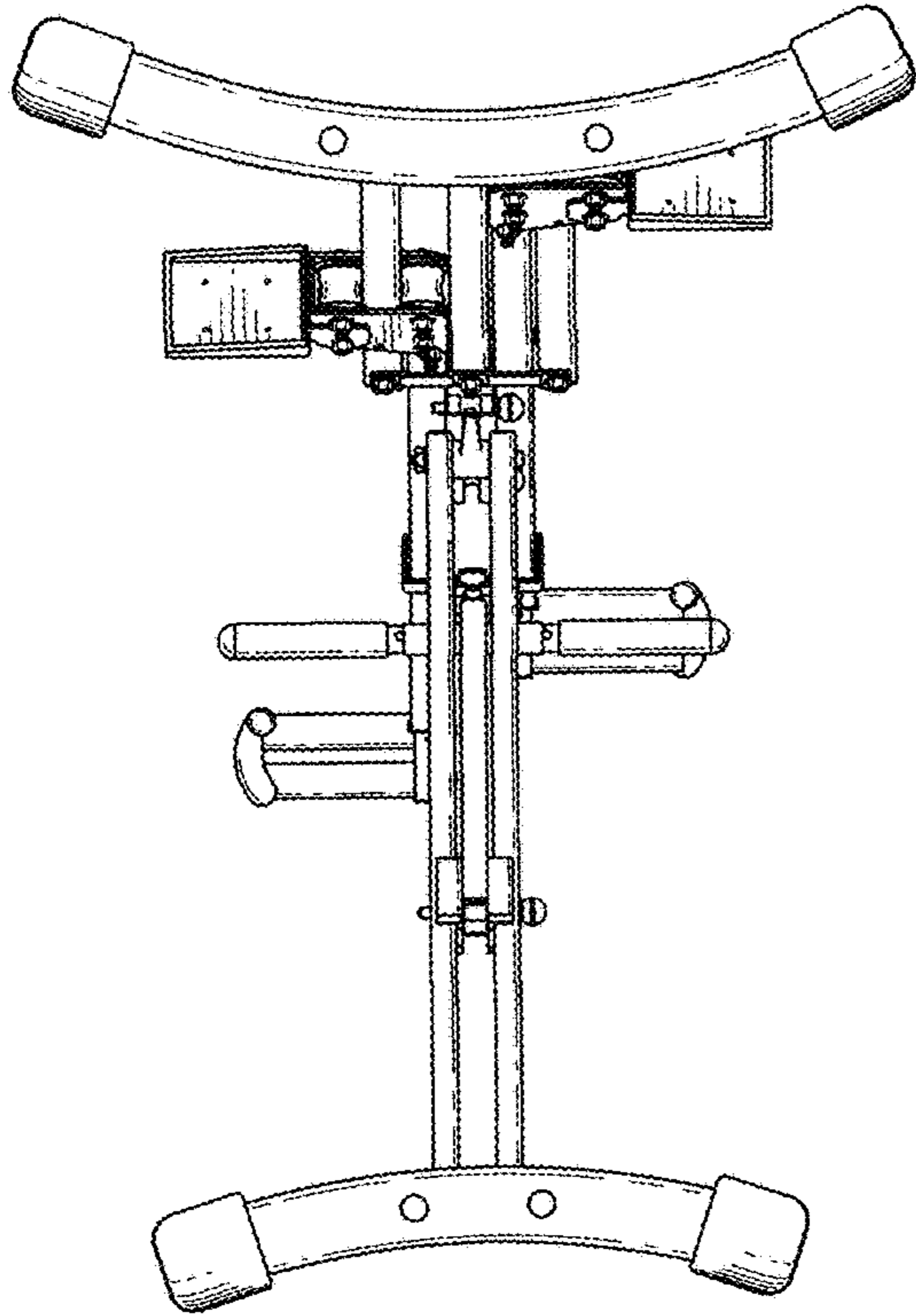


FIG. 6

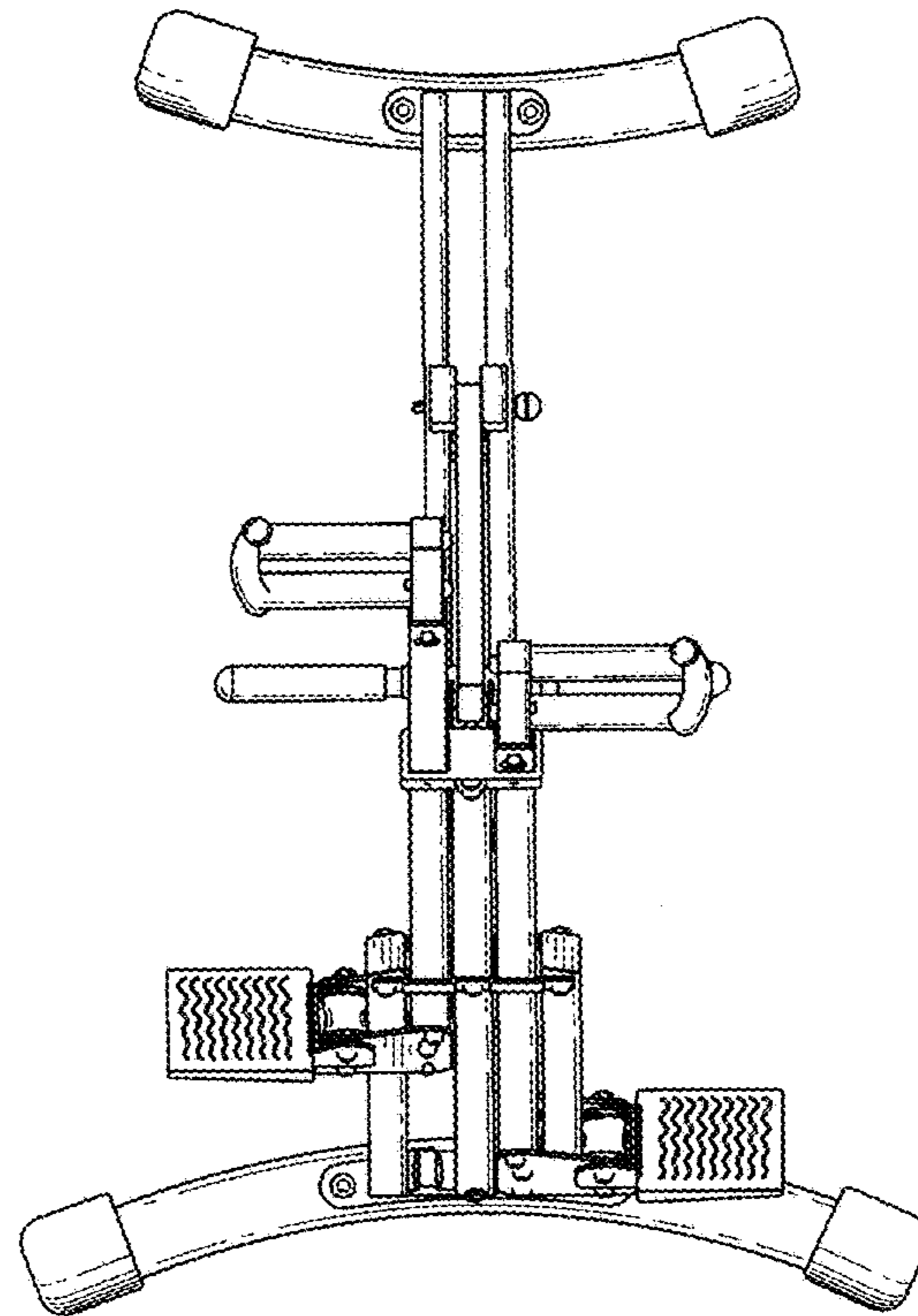


FIG. 7