



US00D834658S

(12) **United States Design Patent** (10) **Patent No.:** **US D834,658 S**  
**Jamison** (45) **Date of Patent:** **\*\* Nov. 27, 2018**

(54) **METAMORPHOSIS PLUSH TOY**

(71) Applicant: **George Randall Jamison**, Meridian, ID (US)

(72) Inventor: **George Randall Jamison**, Meridian, ID (US)

(\*\*) Term: **15 Years**

(21) Appl. No.: **29/623,050**

(22) Filed: **Oct. 22, 2017**

(51) **LOC (11) Cl.** ..... **21-01**

(52) **U.S. Cl.**  
USPC ..... **D21/650**; D21/576

(58) **Field of Classification Search**  
USPC ..... D6/598; D11/158, 162; D21/576–595, D21/650; 446/368–369, 376, 428, 487; 180/8.6; D30/160  
CPC ... A63H 3/00; A63H 3/02; A63H 3/04; A63H 3/16; A63H 3/28; A63H 3/36; A63H 33/00; A63H 7/06; A63H 11/00; A63H 11/10; A63H 11/20; A63H 13/00  
See application file for complete search history.

(56) **References Cited**

U.S. PATENT DOCUMENTS

D182,557 S *	4/1958	Wilkening	.....	D21/650
D450,791 S *	11/2001	Grimm	.....	D21/650
D457,928 S *	5/2002	Keating	.....	D21/650
D531,236 S *	10/2006	Ho	.....	D21/650
D621,888 S *	8/2010	Rappaport-Rowan	.....	D21/650
D698,398 S *	1/2014	Friedland	.....	D21/650
D765,191 S *	8/2016	March	.....	D21/576

OTHER PUBLICATIONS

Mary Meyer Everyday 1995 Catalog, dated Feb. 1995. p. 30, Ms Morphosis.\*

\* cited by examiner

*Primary Examiner* — Sandra L Morris

(74) *Attorney, Agent, or Firm* — Quickpatents, LLC; Kevin Prince

(57) **CLAIM**

I claim the ornamental design for a metamorphosis plush toy, as shown and described.

**DESCRIPTION**

FIG. 1 is a perspective view of a metamorphosis plush toy, showing my new design in a cocoon configuration inside an outer covering;

FIG. 2 is a front elevational view of FIG. 1;

FIG. 3 is a rear elevational view of FIG. 1;

FIG. 4 is a left-side elevational view of FIG. 1, the right-side elevational view being a mirror image thereof;

FIG. 5 is a top plan view of FIG. 1;

FIG. 6 is a bottom plan view of FIG. 1;

FIG. 7 is a perspective view thereof, illustrated in a butterfly configuration, the outer covering omitted for clarity of illustration;

FIG. 8 is a front elevational view of FIG. 7;

FIG. 9 is a rear elevational view of FIG. 7;

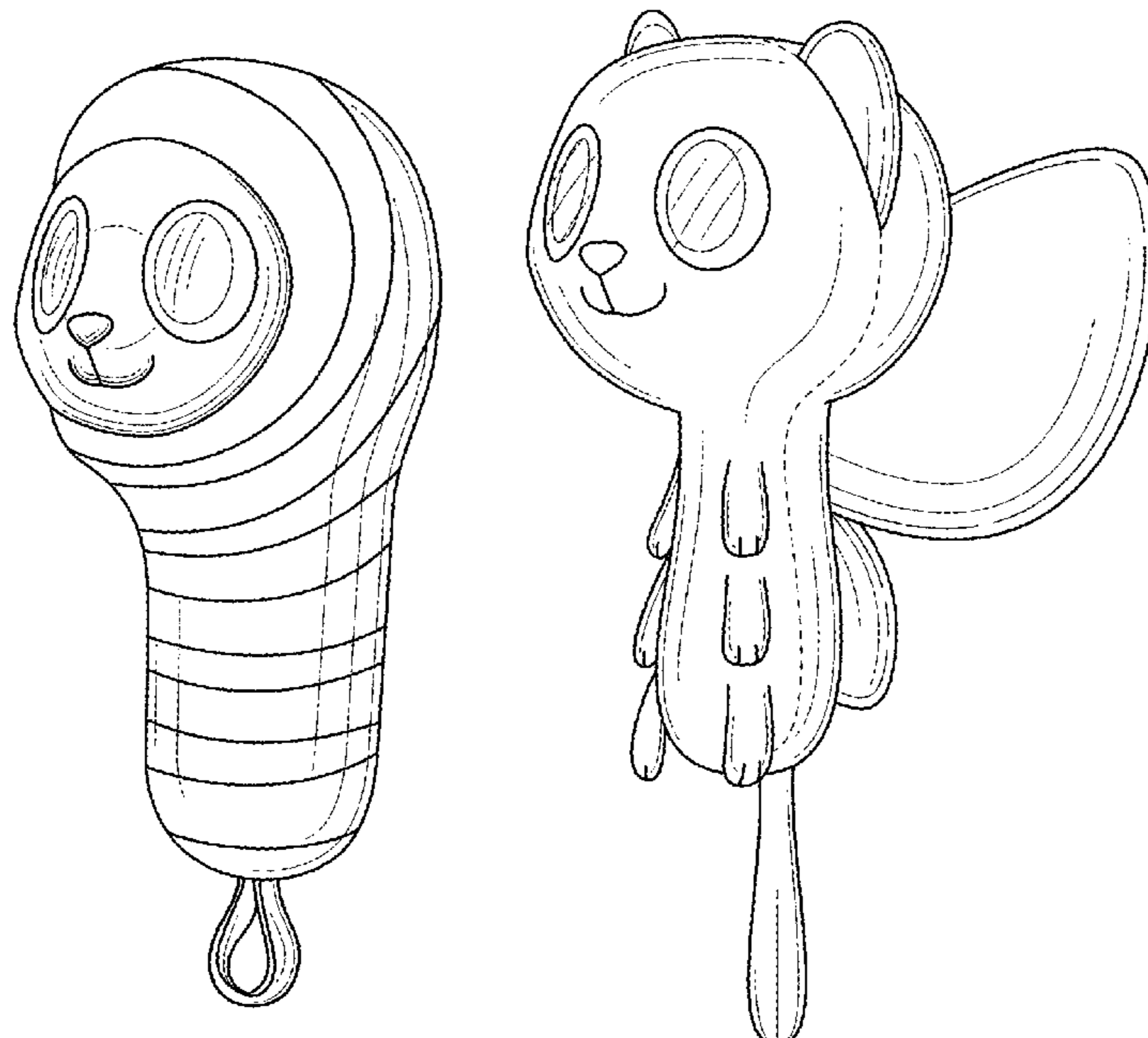
FIG. 10 is a left-side elevational view of FIG. 7, the right-side elevational view being a mirror image thereof;

FIG. 11 is a top plan view of FIG. 7; and,

FIG. 12 is a bottom plan view of FIG. 7.

The broken lines represent stitching, and are part of the claimed design.

**1 Claim, 8 Drawing Sheets**



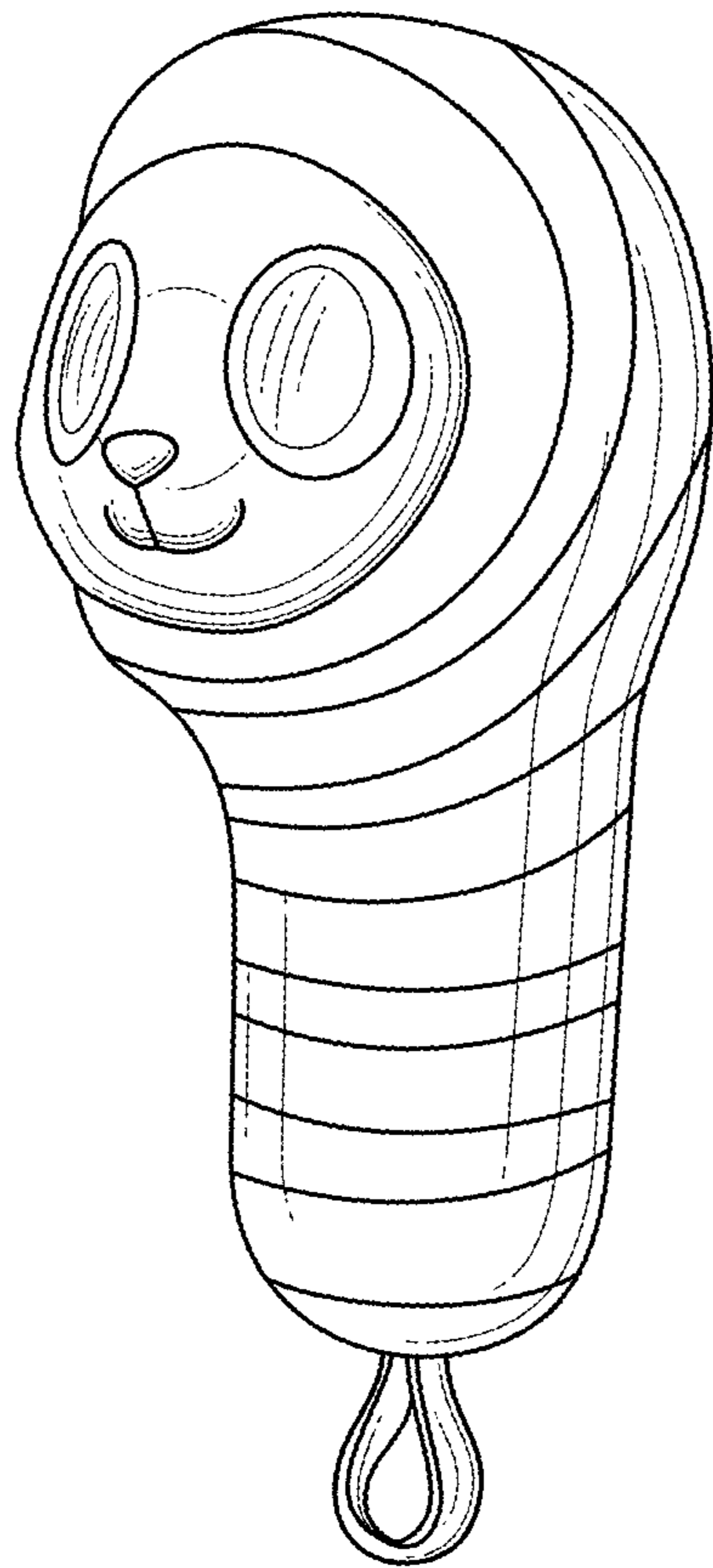


FIG. 1

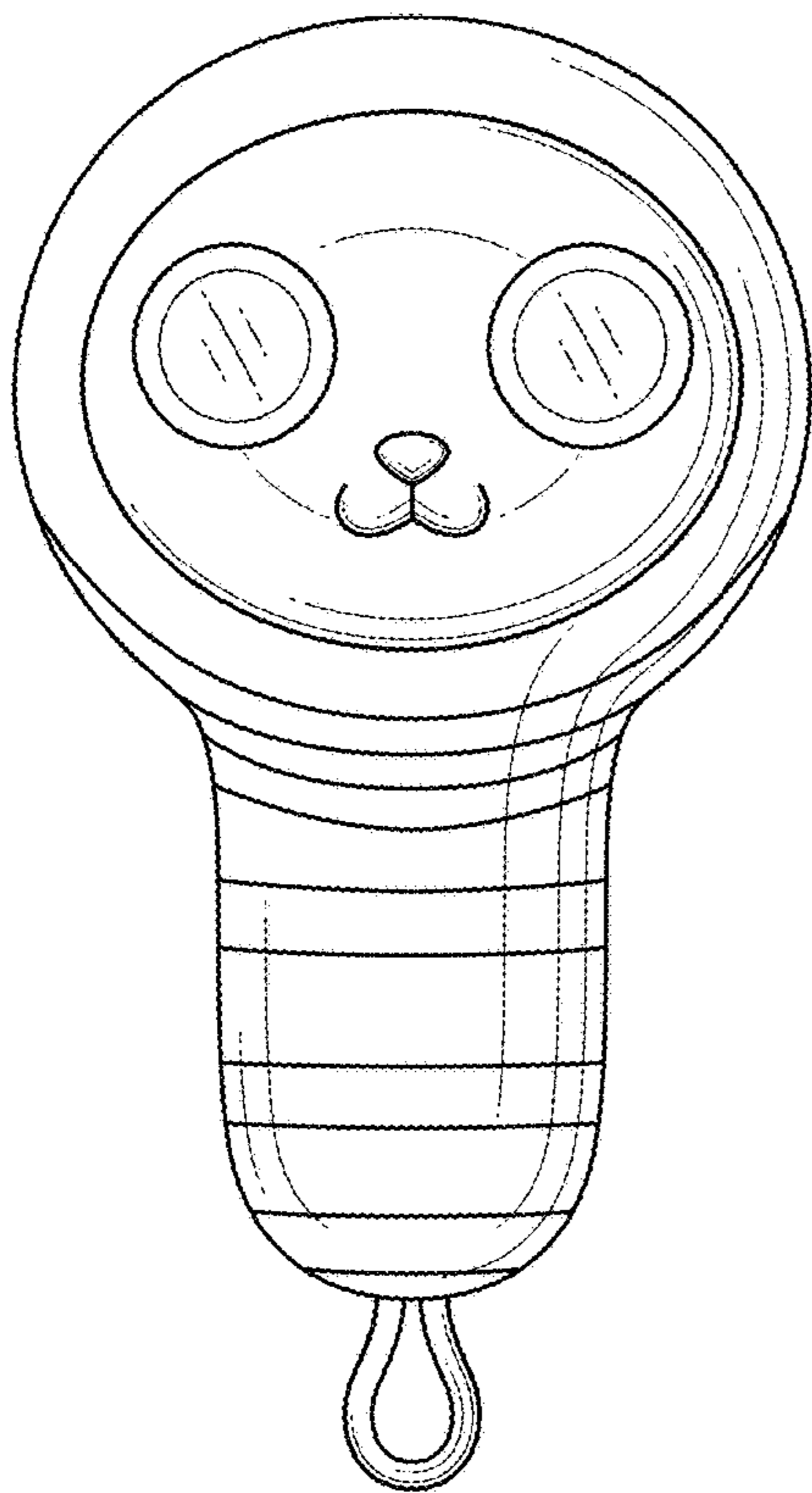


FIG. 2

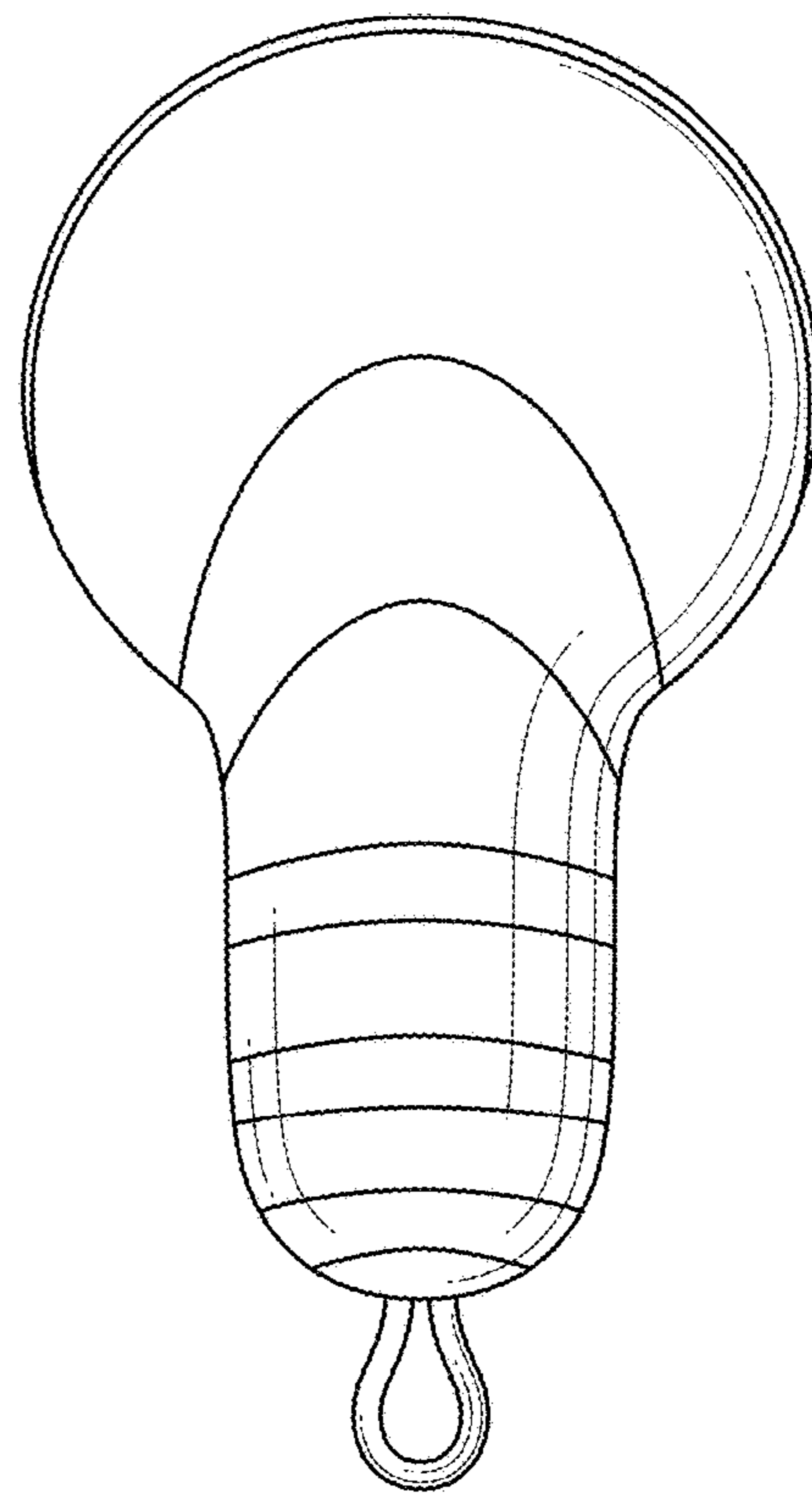


FIG. 3

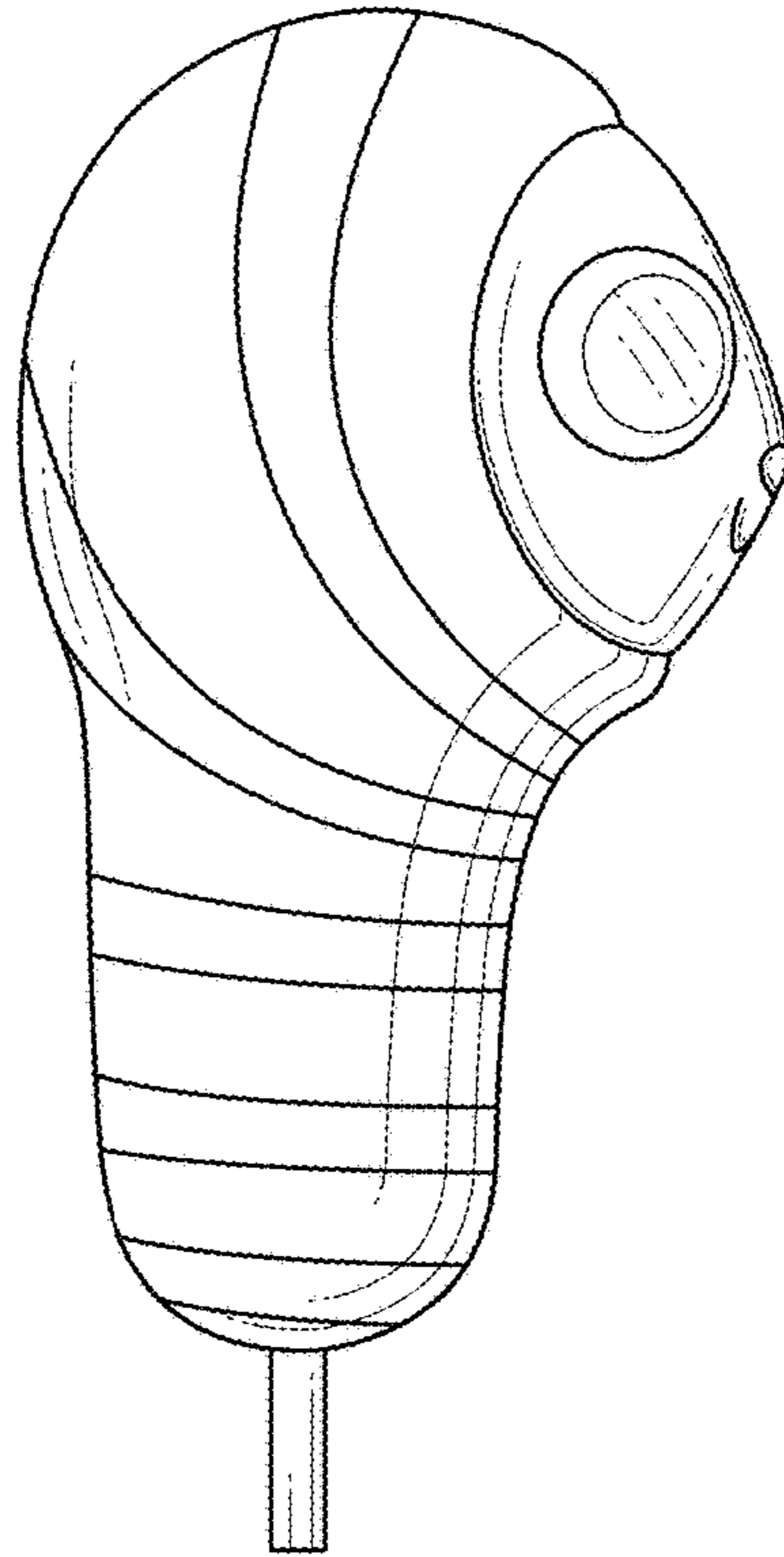


FIG. 4

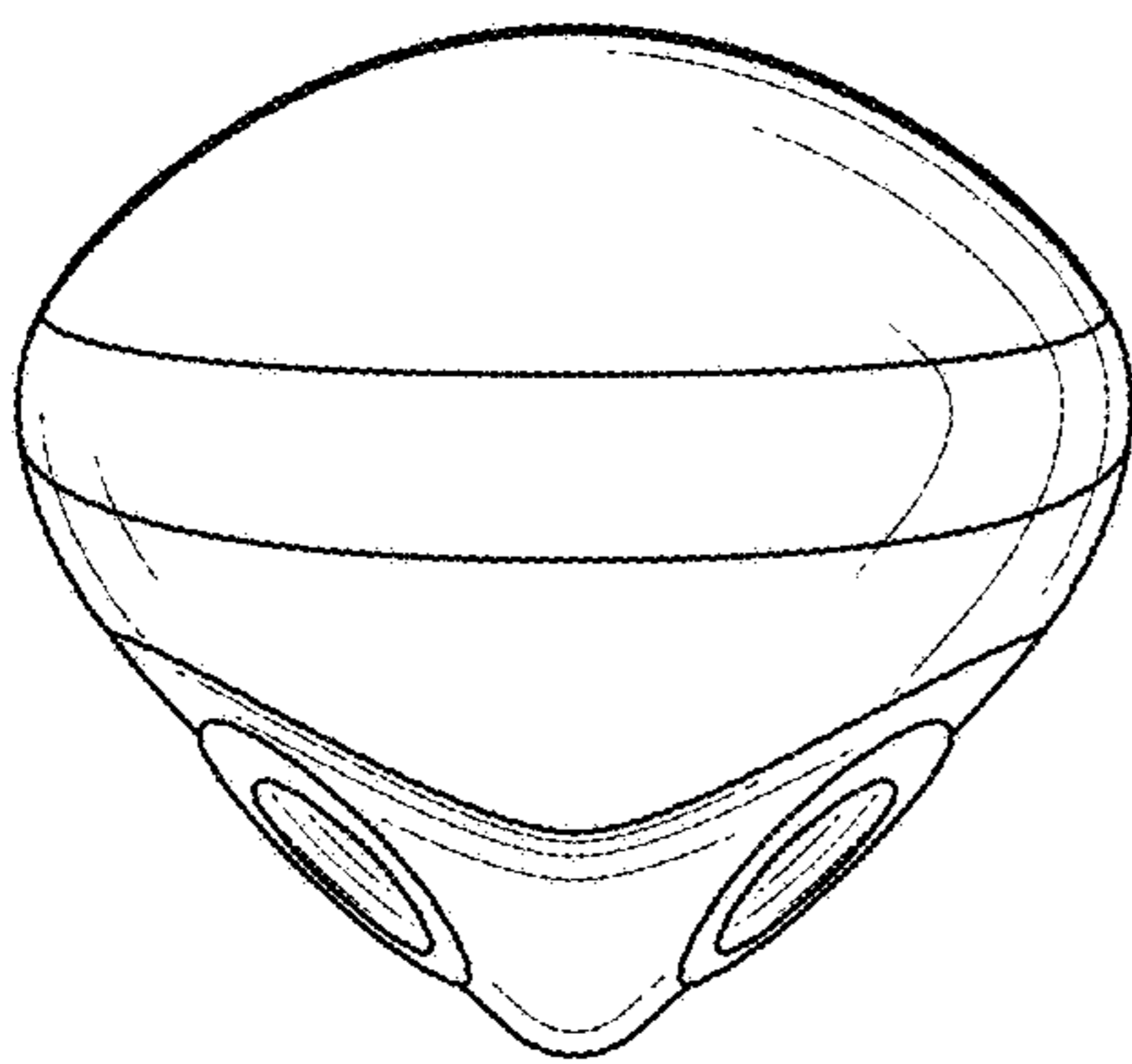


FIG. 5

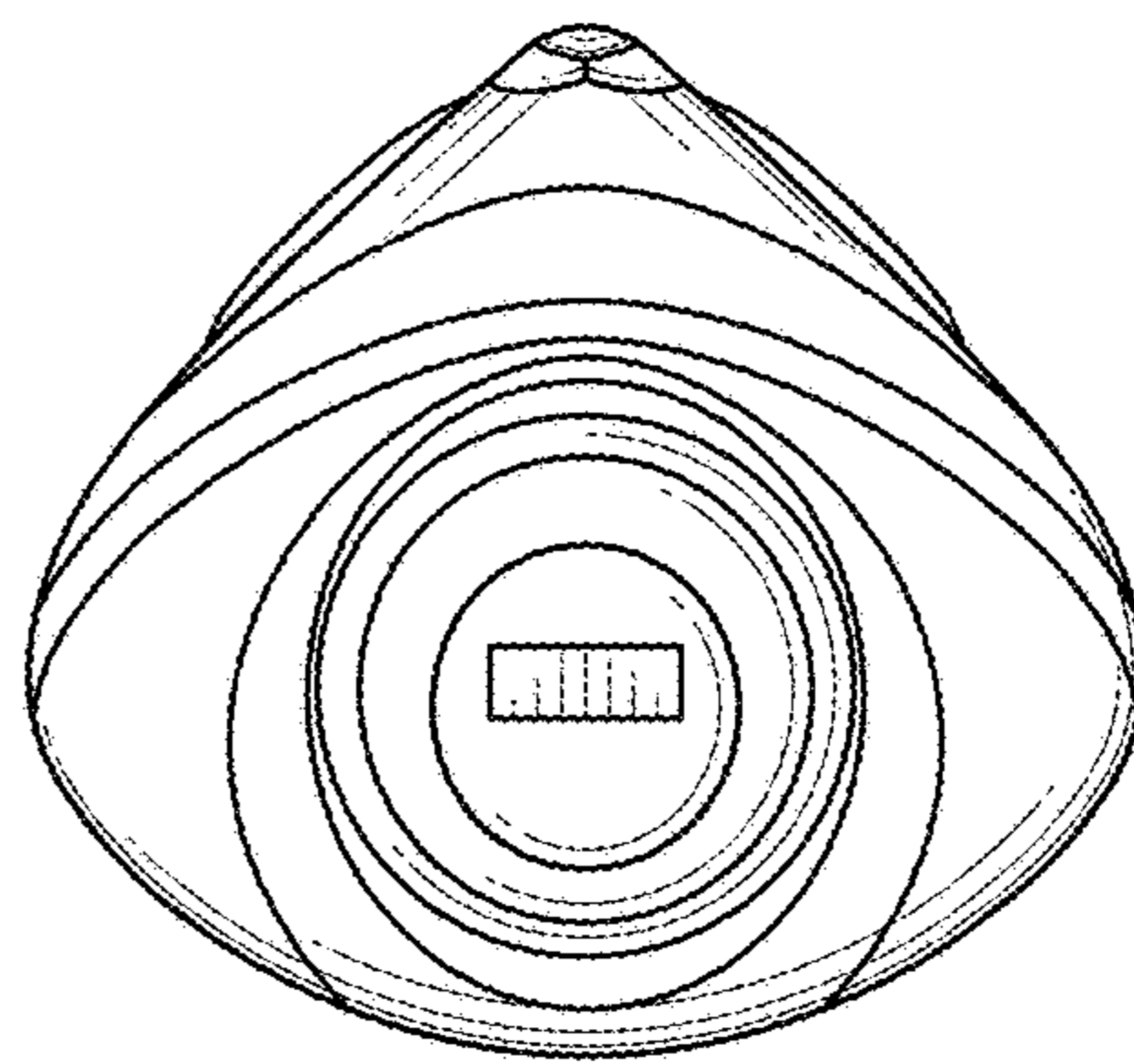


FIG. 6

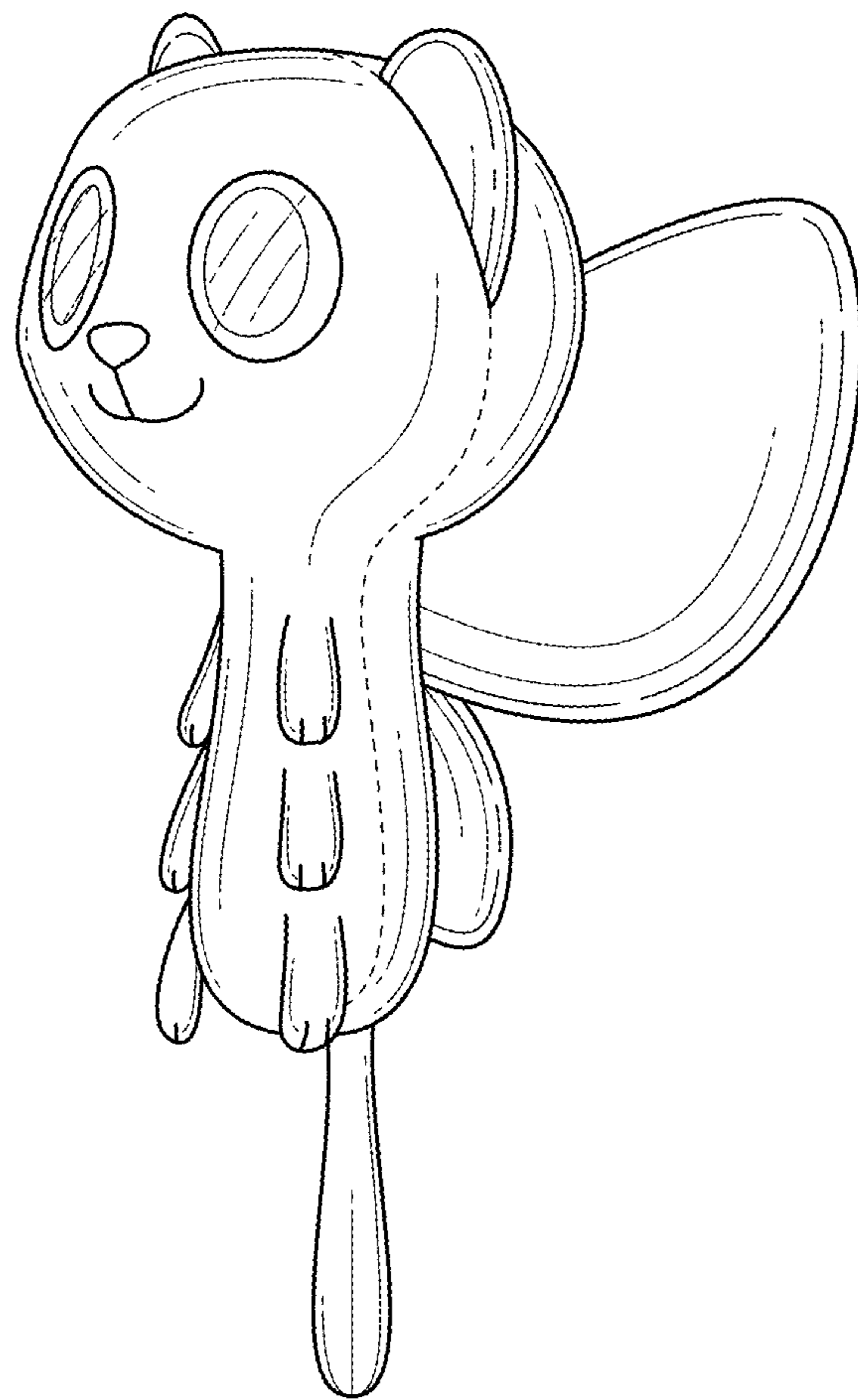


FIG. 7

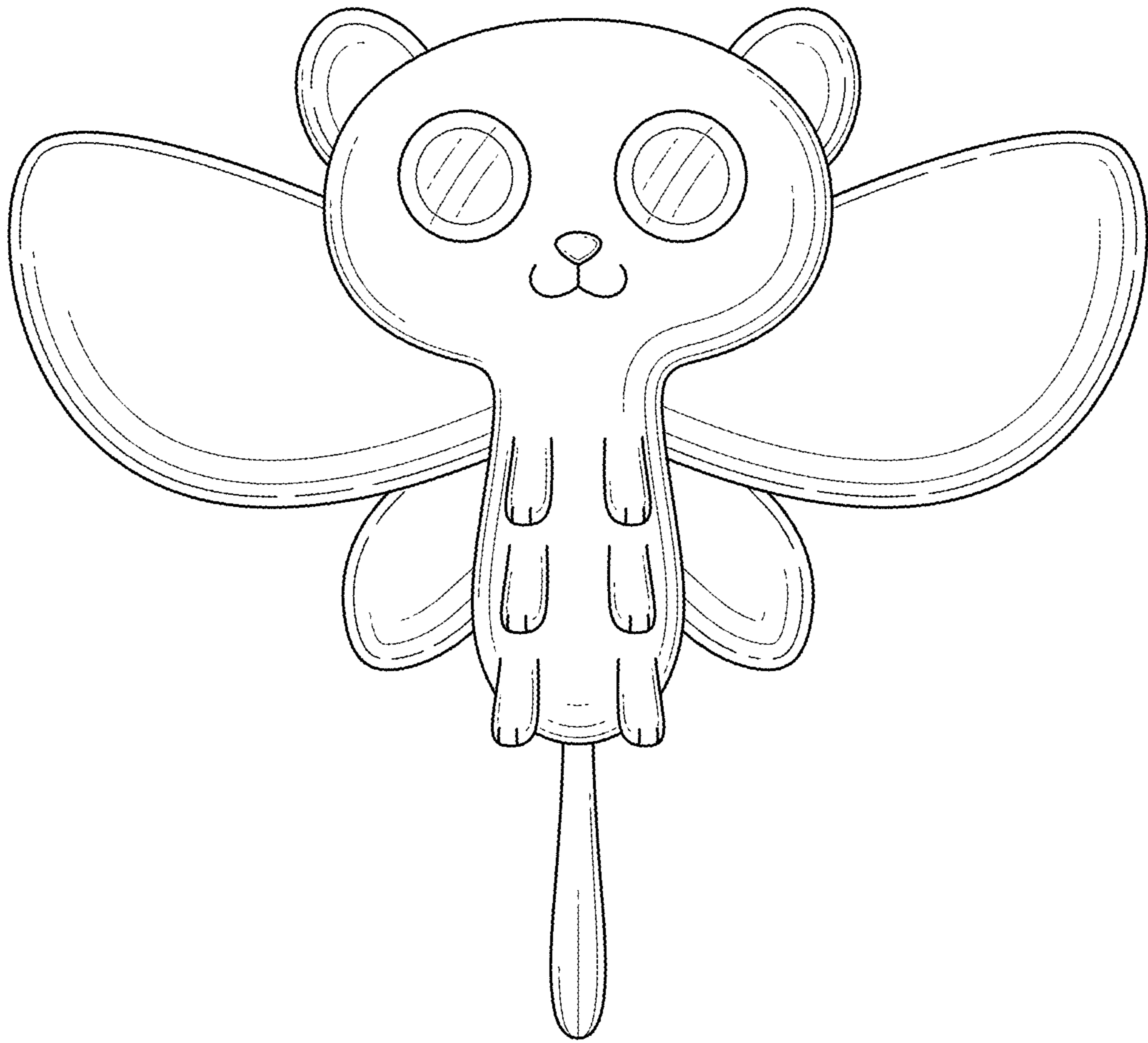


FIG. 8

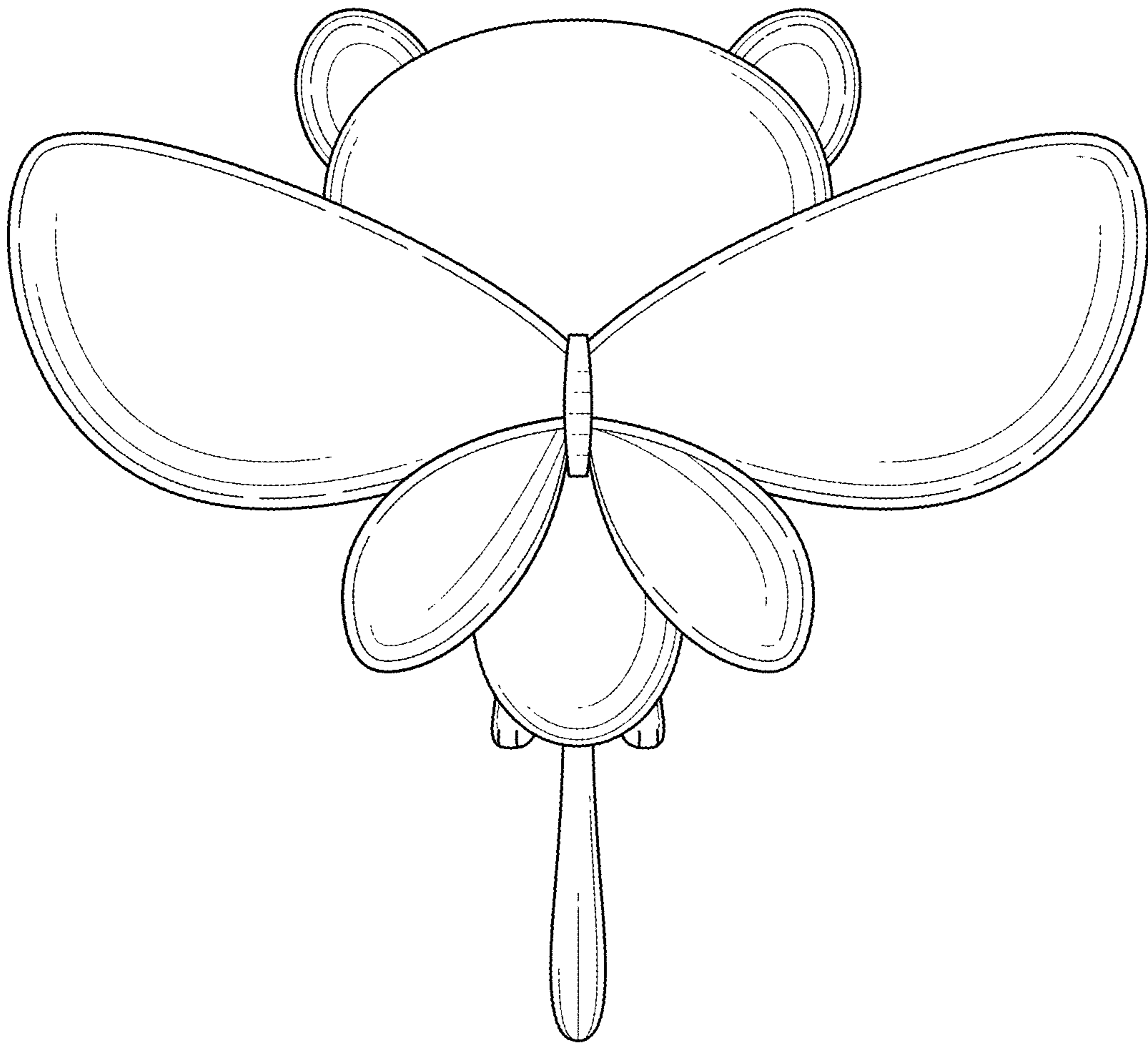


FIG. 9

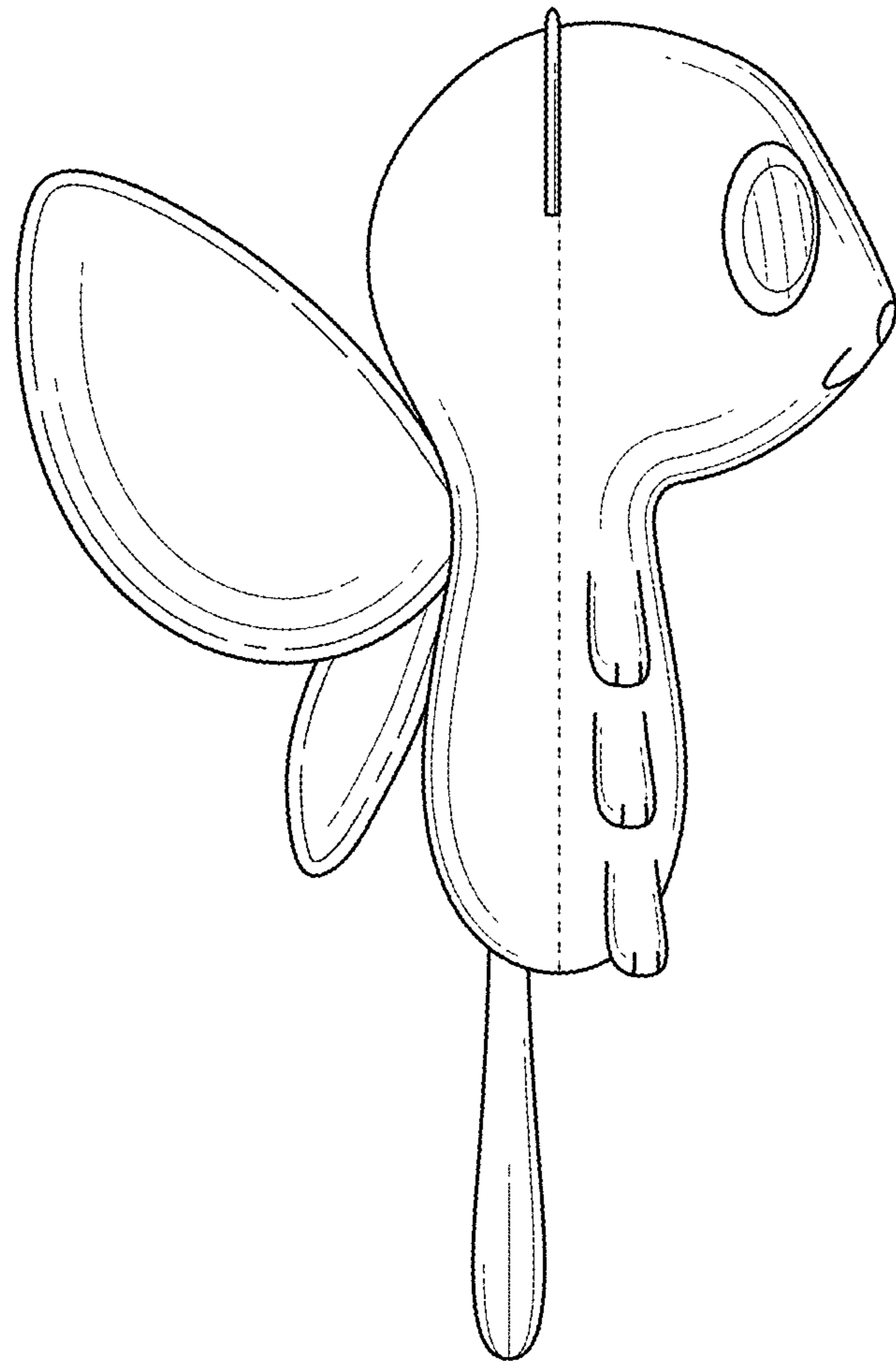


FIG. 10



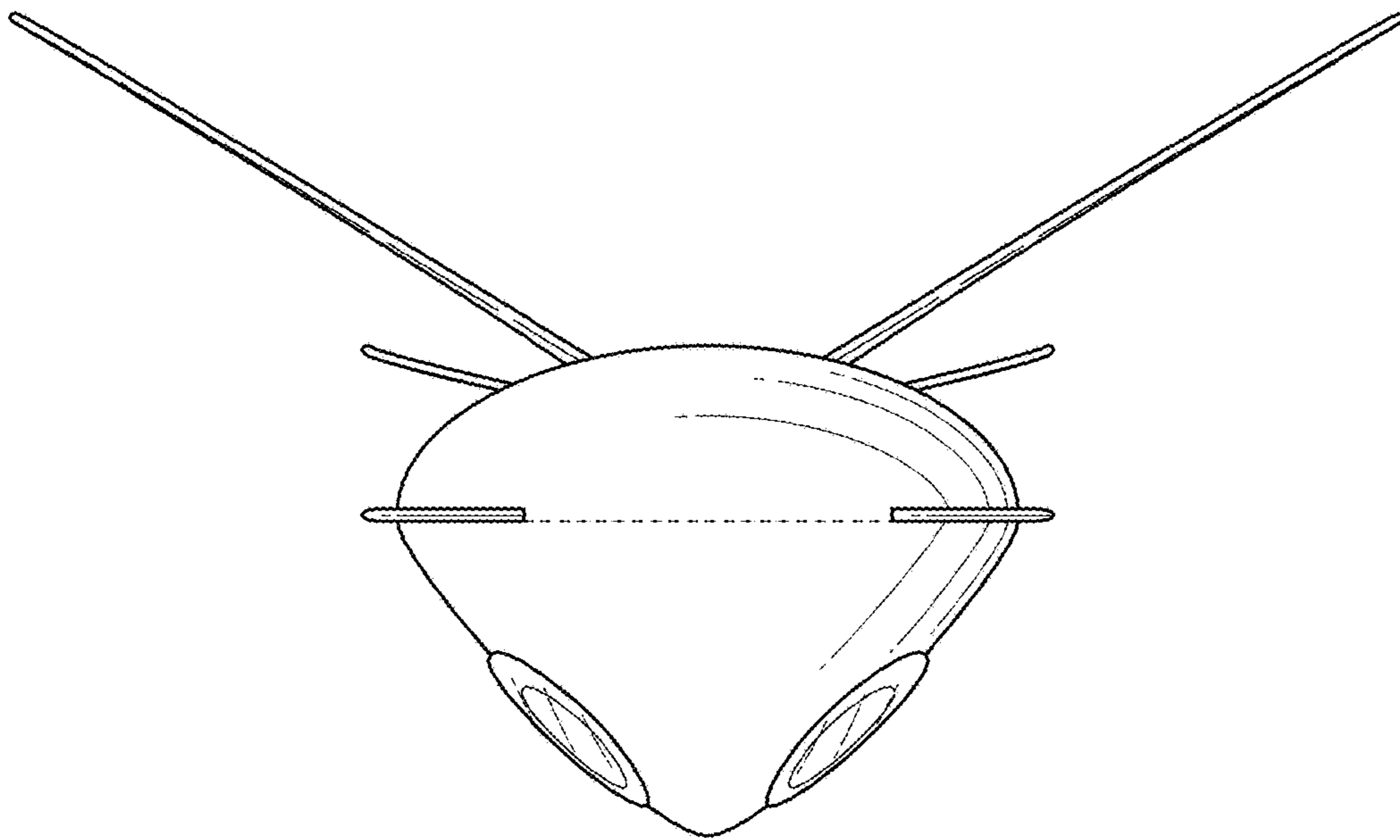


FIG. 11

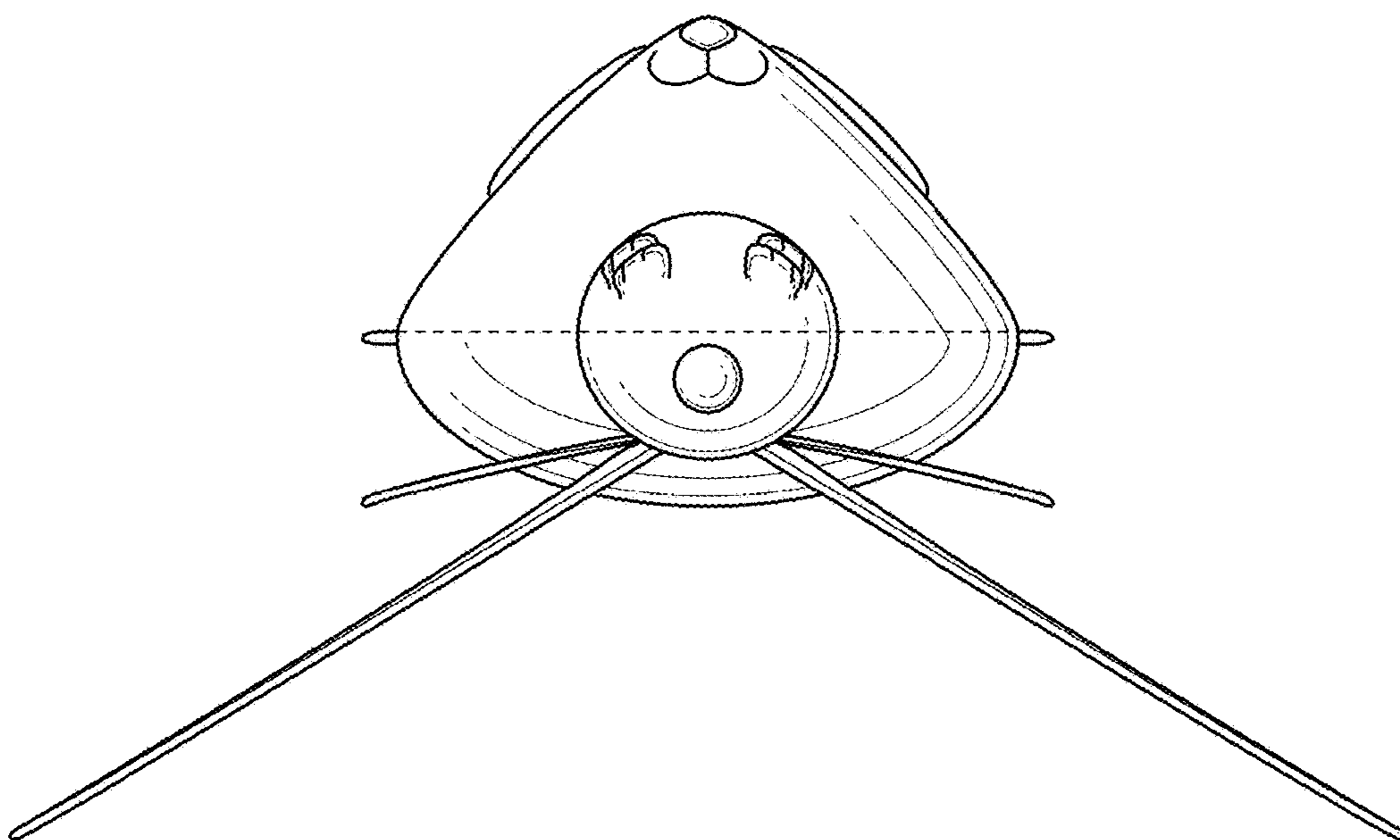


FIG. 12