



US00D834656S

(12) **United States Design Patent**  
**Chu**

(10) **Patent No.:** **US D834,656 S**

(45) **Date of Patent:** **\*\* Nov. 27, 2018**

(54) **TOY GUN**

(71) Applicant: **I CHIH SHIVAN ENTERPRISE CO., LTD.**, Taichung (TW)

(72) Inventor: **Chen Tang Chu**, Taichung (TW)

(73) Assignee: **I CHIH SHIVAN ENTERPRISE CO., LTD.**, Taichung (TW)

(\*\*) Term: **15 Years**

(21) Appl. No.: **29/575,560**

(22) Filed: **Aug. 26, 2016**

(51) **LOC (11) Cl.** ..... **21-01**

(52) **U.S. Cl.**

USPC ..... **D21/574**

(58) **Field of Classification Search**

USPC ..... D21/567, 570-575; D22/100, 101, 103,  
D22/104, 108, 109; 124/41.1, 45, 49, 50,  
124/51.1, 55, 56, 69, 70-79, 80, 82;  
42/54; 446/401, 405, 406  
CPC .... F41C 3/00; F41C 3/005; F41C 3/02; F41C  
3/04; F41C 3/06; F41C 3/14; F41C 3/16;  
F41C 9/02; F41C 9/04; F41C 9/06; F41C  
9/08

See application file for complete search history.

(56) **References Cited**

**U.S. PATENT DOCUMENTS**

D479,570 S \* 9/2003 Scheunert ..... D22/104  
D559,337 S \* 1/2008 Wang ..... D21/574

D593,629 S \* 6/2009 Bantle ..... D22/104  
D671,610 S \* 11/2012 Nebeker ..... D22/104  
D676,094 S \* 2/2013 Hu ..... D21/574  
D681,131 S \* 4/2013 Su ..... D21/574  
D690,374 S \* 9/2013 Lee ..... D21/574  
D744,049 S \* 11/2015 Chu ..... D21/574  
D754,802 S \* 4/2016 Martelli ..... D21/574  
D755,324 S \* 5/2016 Martelli ..... D22/104  
D755,907 S \* 5/2016 Hu ..... D21/574  
D791,262 S \* 7/2017 Brown ..... D22/104  
D814,593 S \* 4/2018 O'Clair ..... D22/104

\* cited by examiner

*Primary Examiner* — Cynthia M. Chin

(74) *Attorney, Agent, or Firm* — Leong C. Lei

(57) **CLAIM**

The ornamental design for a toy gun, as shown and described.

**DESCRIPTION**

FIG. 1 is a front perspective view of a toy gun showing my new design;

FIG. 2 is a rear perspective view thereof;

FIG. 3 is a bottom perspective view thereof;

FIG. 4 is a front elevational view thereof;

FIG. 5 is a rear elevational view thereof;

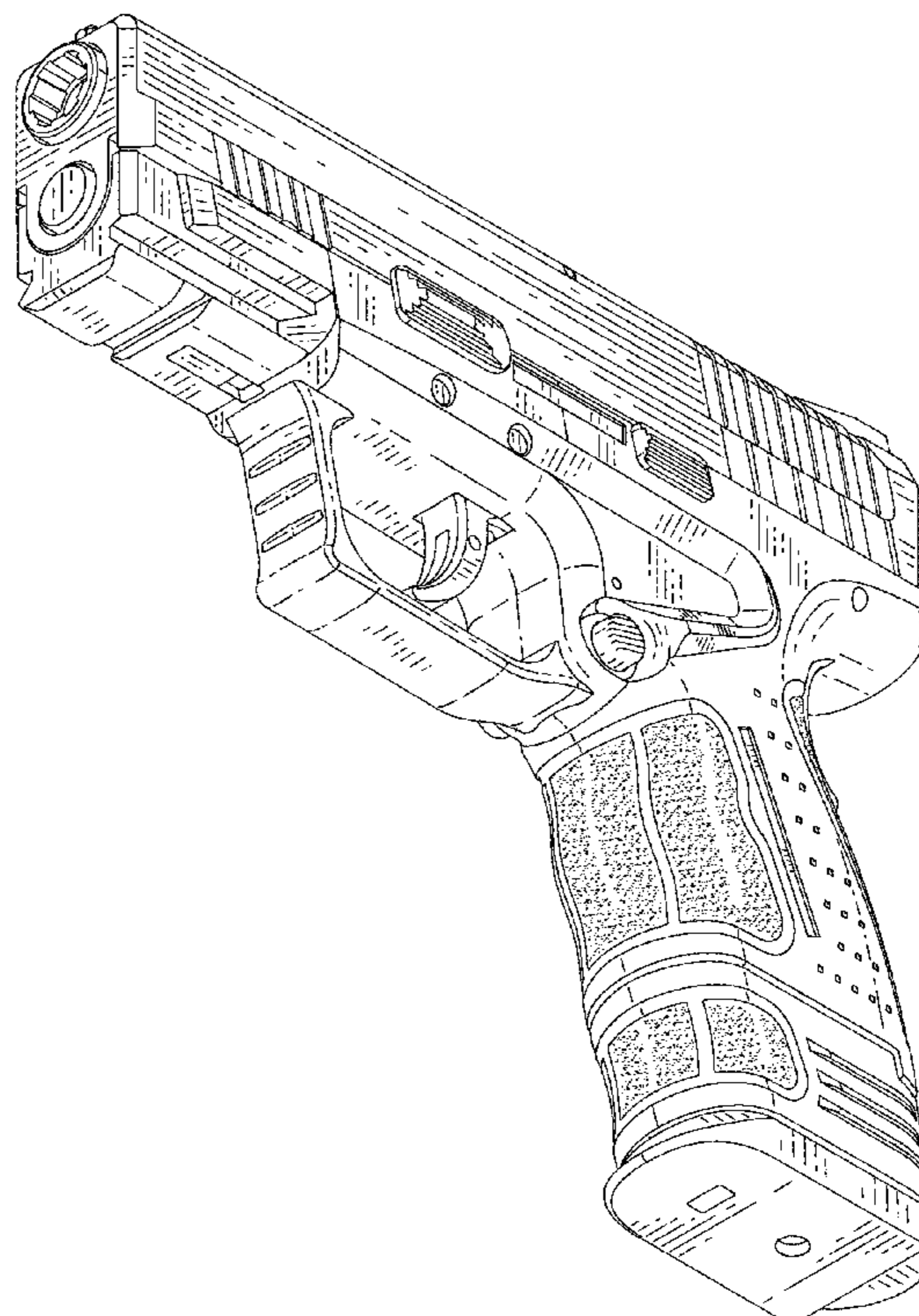
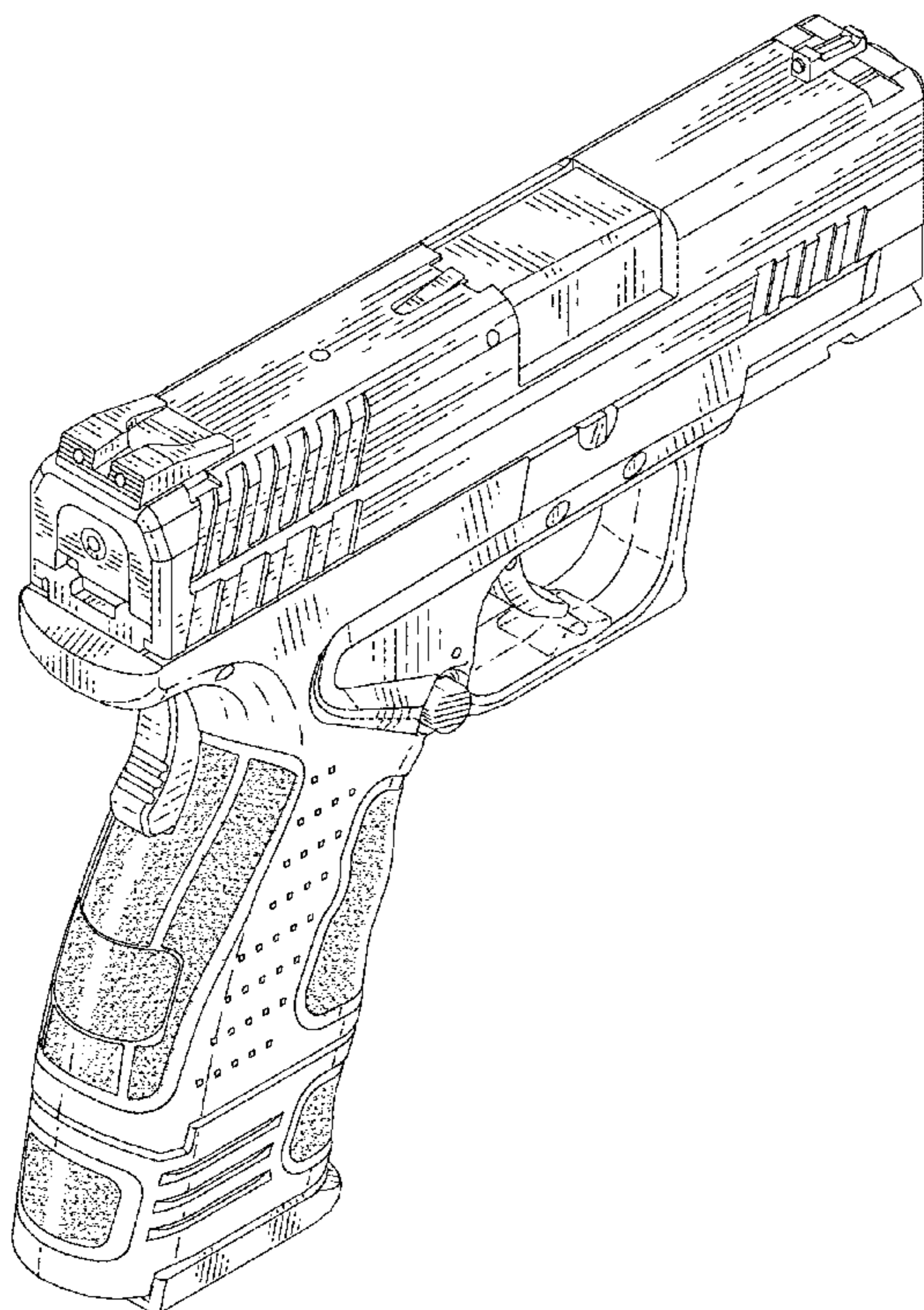
FIG. 6 is a left elevational view thereof;

FIG. 7 is a right elevational view thereof;

FIG. 8 is a top plan view thereof; and,

FIG. 9 is a bottom plan view thereof.

**1 Claim, 9 Drawing Sheets**



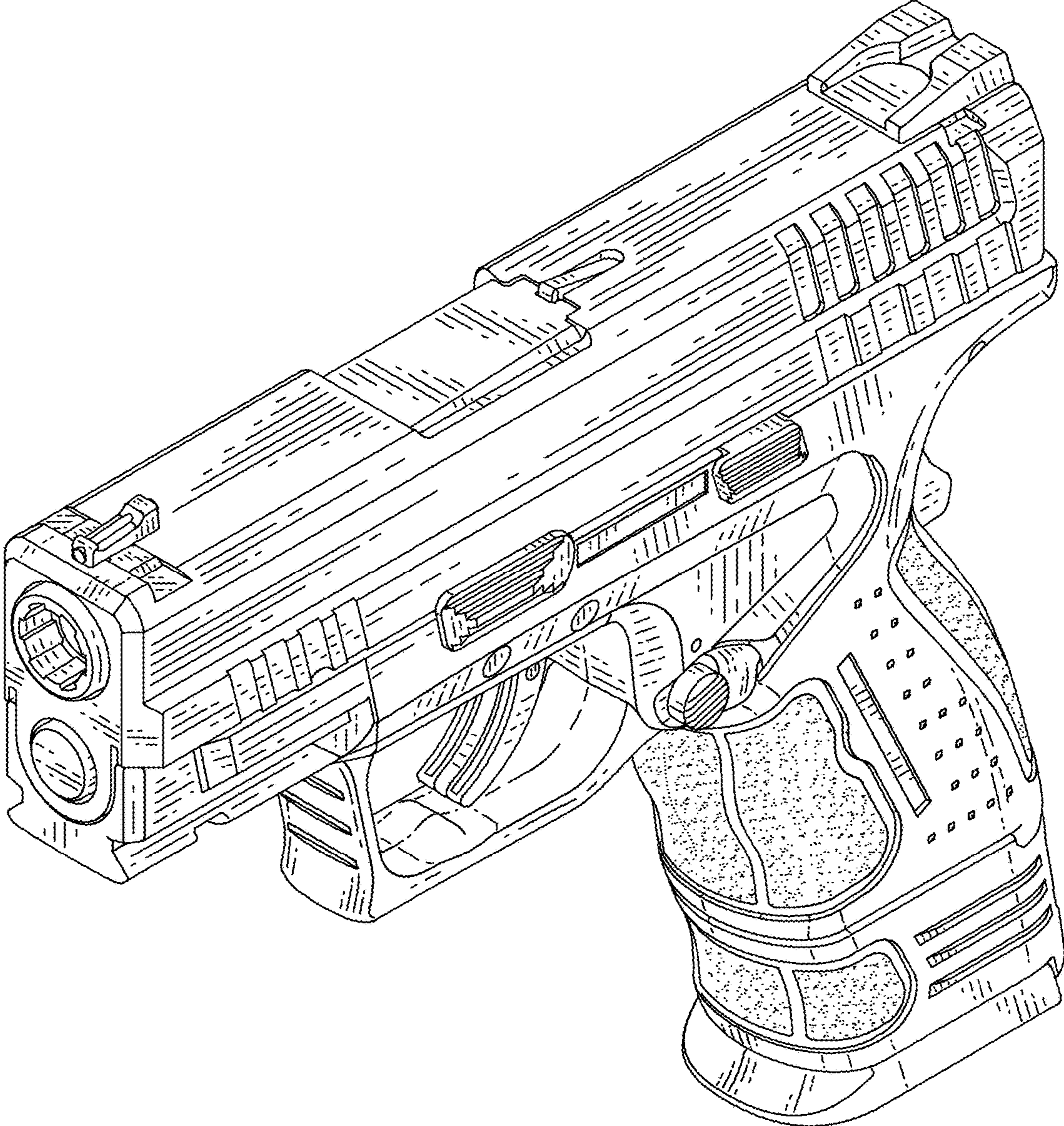


FIG. 1

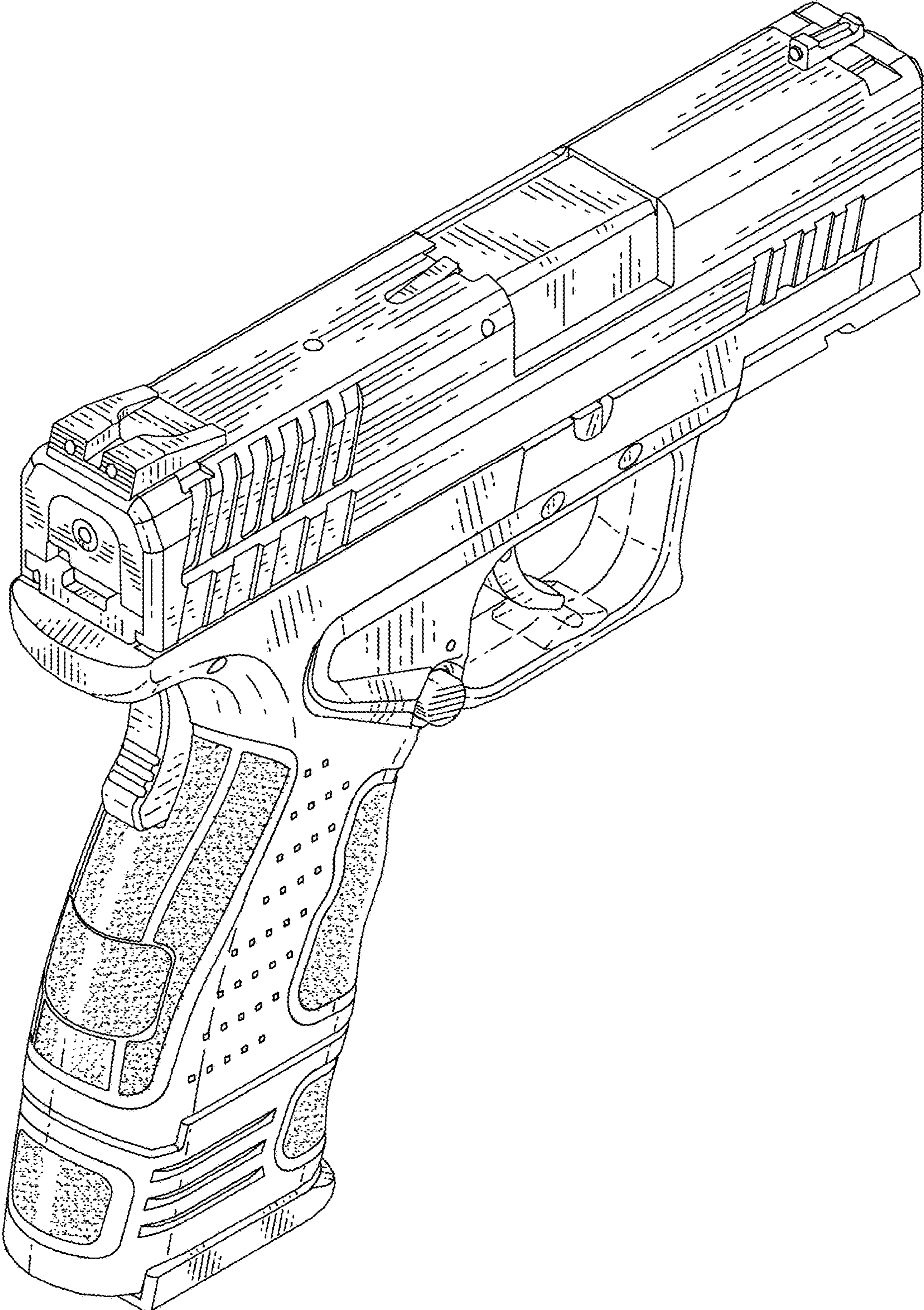


FIG.2

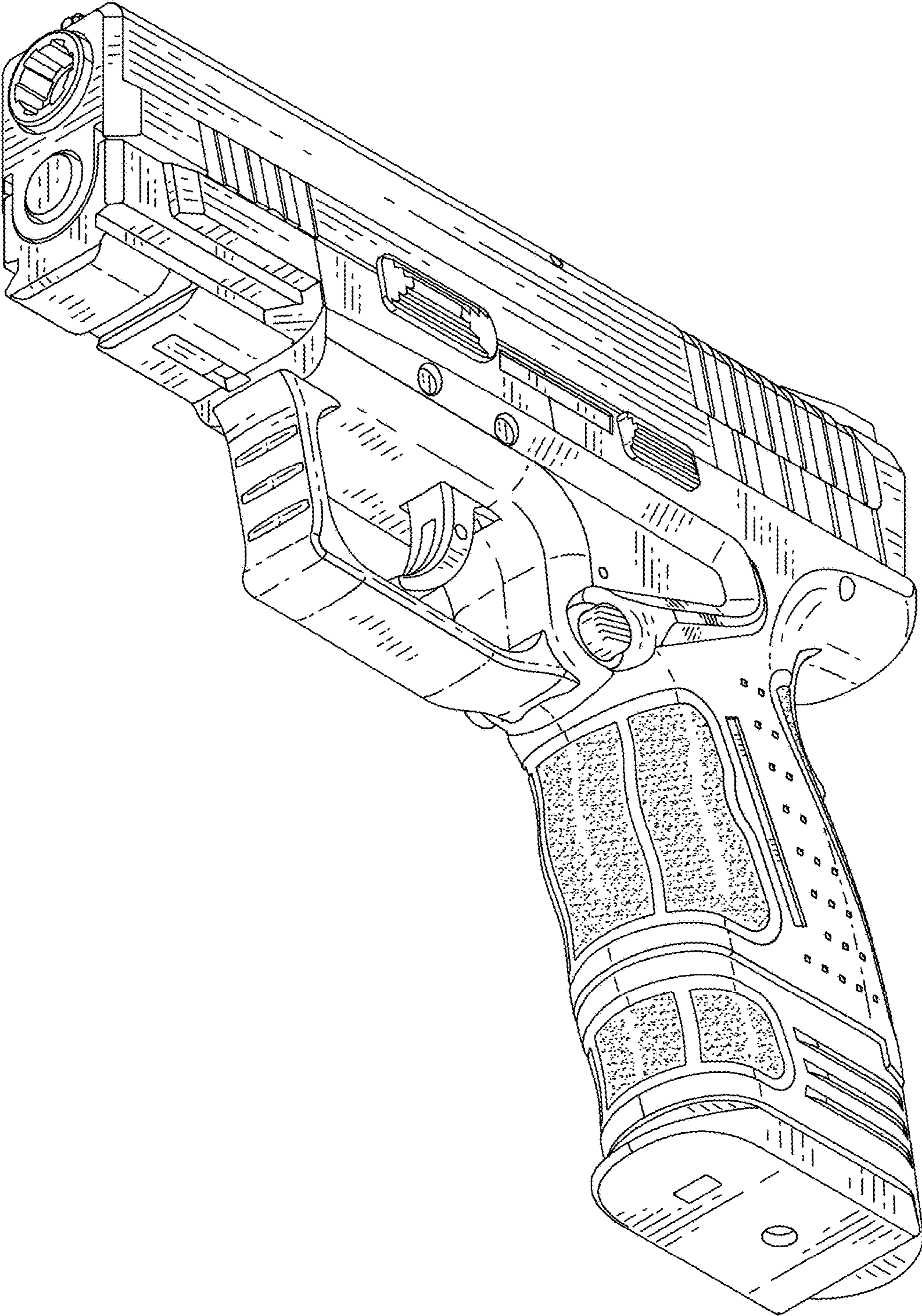


FIG.3

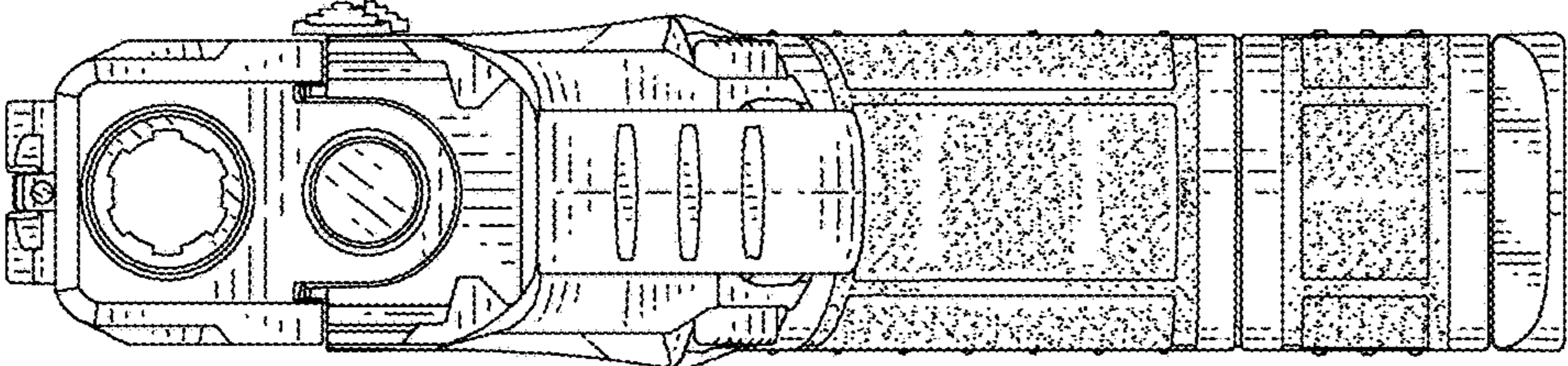


FIG.4

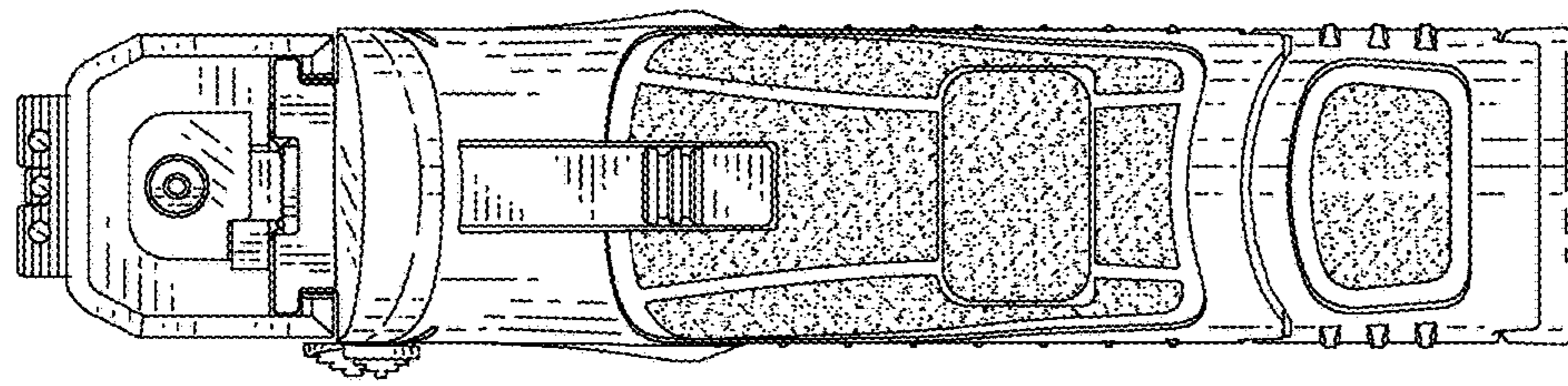


FIG.5

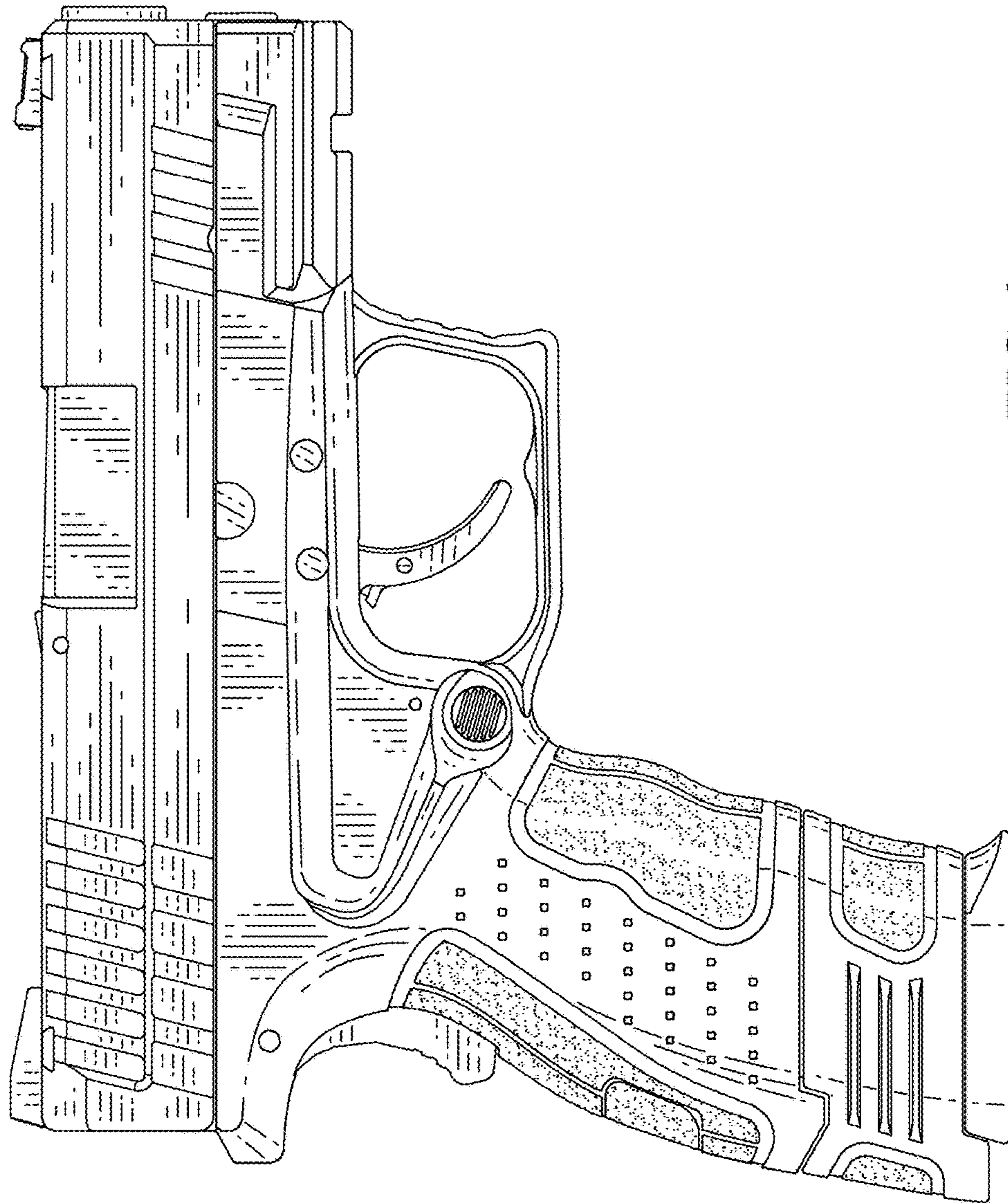


FIG.6

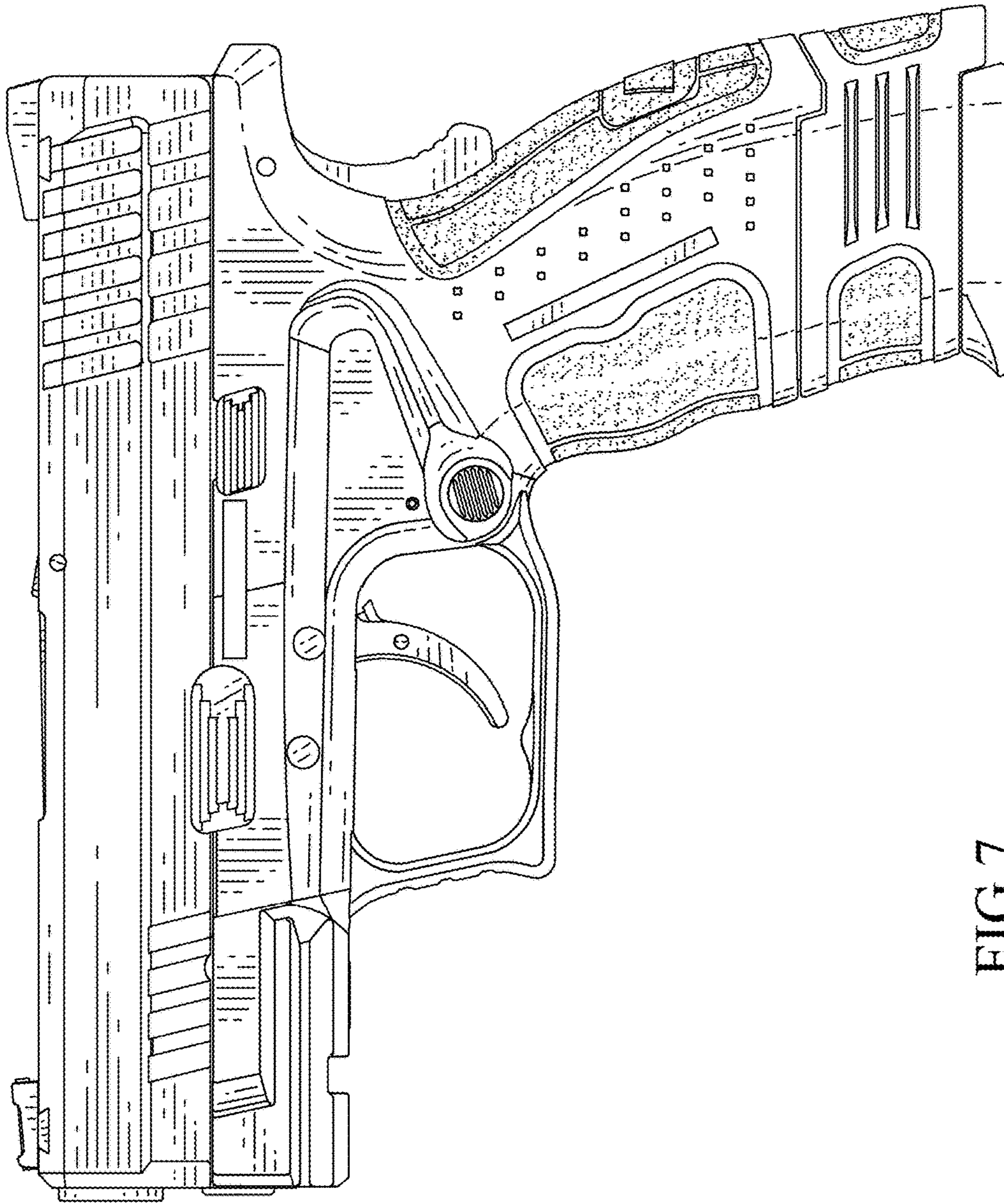


FIG. 7



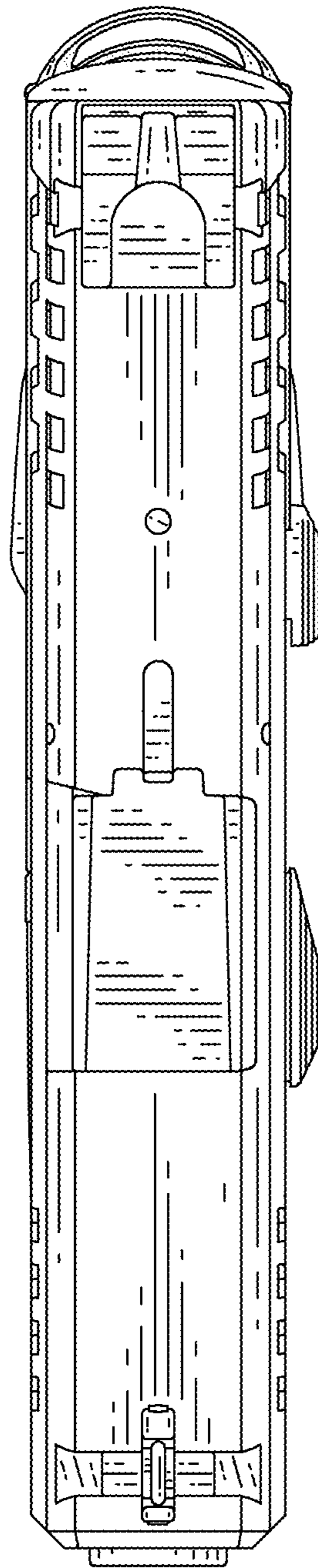


FIG.8

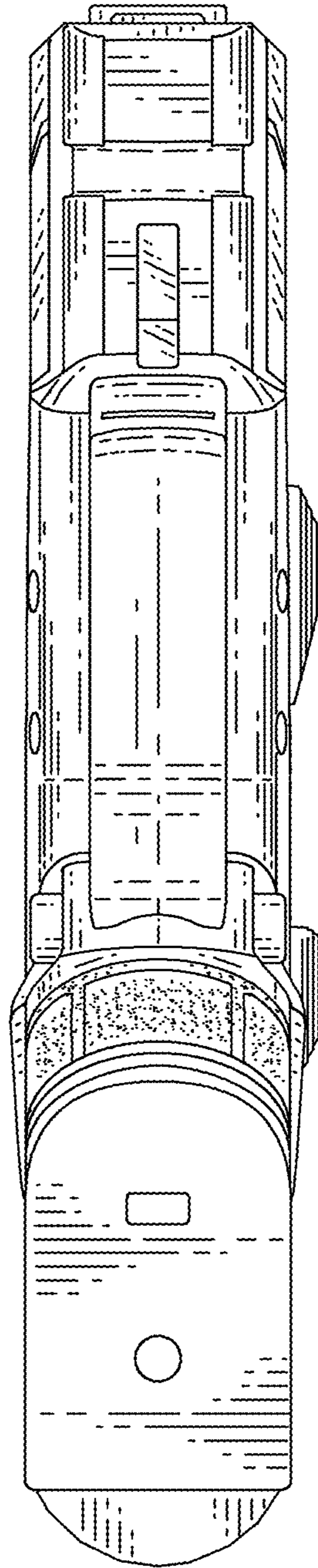


FIG.9