



US00D834652S

(12) **United States Design Patent** (10) **Patent No.:** **US D834,652 S**
Lee et al. (45) **Date of Patent:** **** Nov. 27, 2018**

(54) **GAMING MACHINE**
(71) Applicant: **AGS LLC**, Las Vegas, NV (US)
(72) Inventors: **Sigmund Lee**, Atlanta, GA (US); **Karl Frederick Zedell, Jr.**, Alpharetta, GA (US); **Rachel Calhoun Lewis**, Atlanta, GA (US)

5,108,099 A 4/1992 Smyth
5,113,990 A 5/1992 Gabrius et al.
D333,164 S 2/1993 Kraft et al.
5,302,965 A 4/1994 Belcher et al.
D352,330 S 11/1994 Smith
5,381,502 A 1/1995 Veligdan
5,521,587 A 5/1996 Sawabe et al.

(Continued)

(73) Assignee: **AGS LLC**, Las Vegas, NV (US)
(**) Term: **15 Years**

(21) Appl. No.: **29/631,062**

(22) Filed: **Dec. 27, 2017**

Related U.S. Application Data

(62) Division of application No. 29/540,241, filed on Sep. 22, 2015.

(51) **LOC (11) Cl.** **21-03**

(52) **U.S. Cl.**
USPC **D21/369**

(58) **Field of Classification Search**
USPC D21/369, 370, 371, 385, 329, 325, 394;
463/28, 13, 11, 16, 20, 25, 31, 46, 23, 30,
463/17, 36, 29, 42, 34, 32, 35, 19, 21, 22;
273/292, 203, 138.2, 143 R, 142 R, 138.1;
D19/60; D16/226; D26/14
CPC G07F 17/32; G07F 17/34; G07F 17/3211;
G07F 17/3244; G07F 17/3267
See application file for complete search history.

(56) **References Cited**

U.S. PATENT DOCUMENTS

4,440,457 A 4/1984 Fogelman et al.
D275,117 S 8/1984 Heywood
4,844,567 A 7/1989 Chalabian
4,918,579 A 4/1990 Bennett
D307,771 S 5/1990 Cesaroni et al.
5,057,827 A 10/1991 Nobile et al.

OTHER PUBLICATIONS

Icon by AGS, <http://www.playags.com/portfolio/icon/>, 3 pages, Feb. 23, 2016.

(Continued)

Primary Examiner — Ryan Harvey

(74) *Attorney, Agent, or Firm* — Weide & Miller, Ltd.

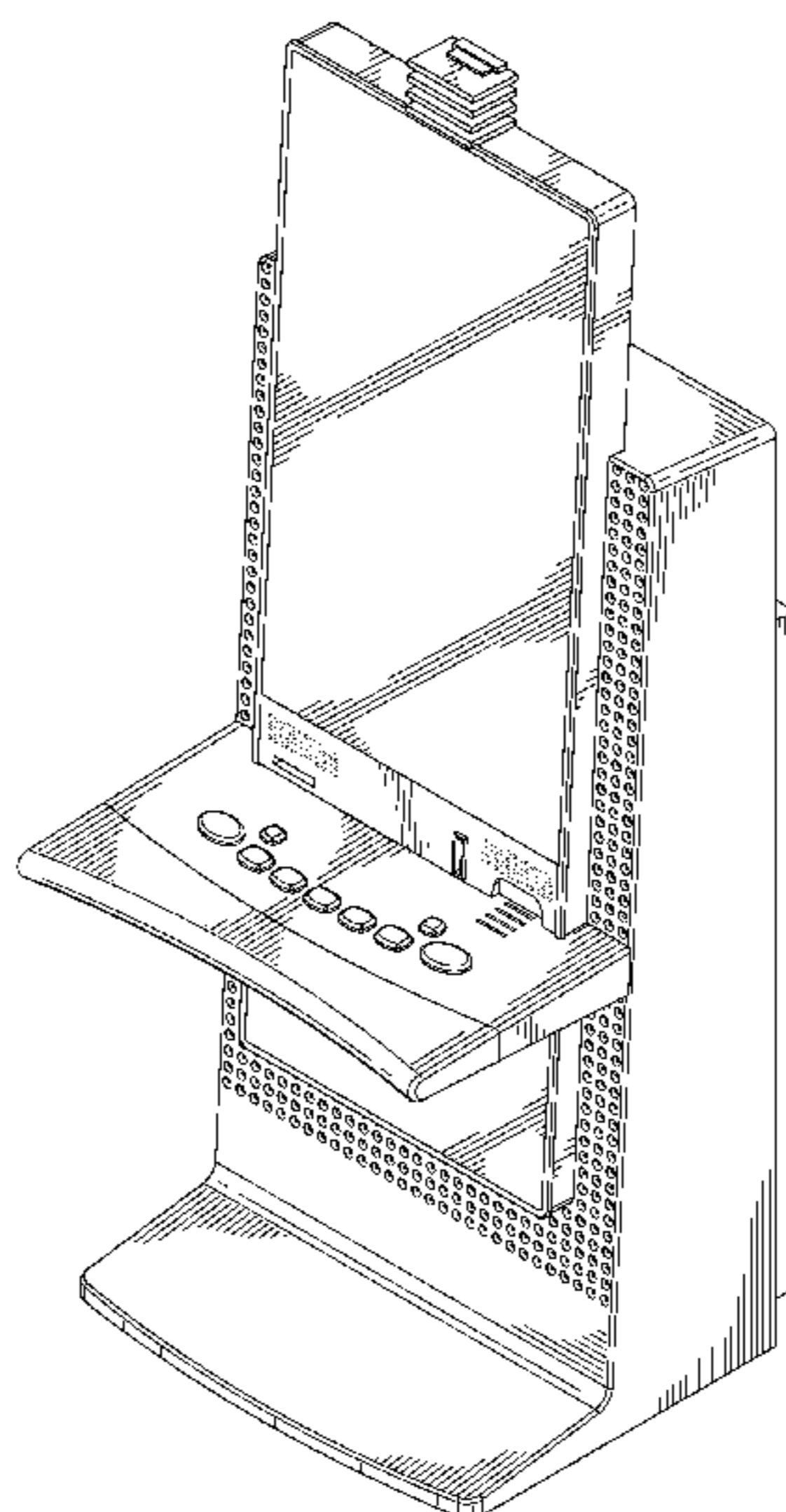
(57) **CLAIM**

The ornamental design for a gaming machine, as shown and described.

DESCRIPTION

FIG. 1 is a front perspective view from above of an embodiment of the claimed design;
FIG. 2 is a front elevation view of the claimed design of FIG. 1;
FIG. 3 is a rear elevation view of the claimed design of FIG. 1;
FIG. 4 is a first side view of the claimed design of FIG. 1;
FIG. 5 is a second side view of the claimed design of FIG. 1;
FIG. 6 is a top plan view of the claimed design of FIG. 1; and,
FIG. 7 is a bottom plan view of the claimed design of FIG. 1.
The broken line showing of portions of the gaming machine depicts the boundaries of the claimed design and forms no part of the claim.

1 Claim, 6 Drawing Sheets



(56)

References Cited

U.S. PATENT DOCUMENTS

D373,809	S	9/1996	Hirato	7,213,941	B2	5/2007	Sloan et al.
5,561,346	A	10/1996	Byrne	7,237,925	B2	7/2007	Mayer et al.
D380,014	S	6/1997	Yang	7,284,876	B2	10/2007	Ericson
D381,697	S	7/1997	Brettschneider	D557,348	S	12/2007	Gutknecht et al.
D381,700	S	7/1997	Brettschneider	D559,917	S	1/2008	Cole
5,670,971	A	9/1997	Tokimoto et al.	7,331,694	B2	2/2008	Lee et al.
D386,796	S	11/1997	Komori	D563,481	S	3/2008	Looks et al.
5,695,402	A	12/1997	Stupak	D564,601	S	3/2008	Strahinic et al.
5,813,914	A	9/1998	McKay et al.	7,339,782	B1	3/2008	Landes et al.
5,818,401	A	10/1998	Wang	D566,197	S	4/2008	Greenberg et al.
5,826,882	A	10/1998	Ward	7,355,573	B2	4/2008	Ogawa
5,836,819	A	11/1998	Ugawa	7,364,505	B2	4/2008	Mattice et al.
D407,758	S	4/1999	Isetani et al.	7,367,145	B2	5/2008	Mou
D410,039	S	5/1999	McClellan	7,367,685	B2	5/2008	Moll
D413,635	S	9/1999	Taylor	7,390,257	B2	6/2008	Paulsen et al.
D421,631	S	3/2000	Tsuda	D573,200	S	7/2008	Hashimoto et al.
D424,122	S	5/2000	Dickenson et al.	7,397,387	B2	7/2008	Suzuki et al.
6,068,101	A	5/2000	Dickenson et al.	7,423,864	B2	9/2008	Kim et al.
D428,062	S	7/2000	Hayashi	7,442,125	B2	10/2008	Paulsen et al.
6,095,526	A	8/2000	Cook, II	7,476,154	B2	1/2009	Kogo et al.
6,135,884	A	10/2000	Hedrick et al.	D586,866	S	2/2009	Hsu
6,164,645	A	12/2000	Weiss	7,506,463	B2	3/2009	Holst
D436,380	S	1/2001	Brettschneider	7,506,997	B1	3/2009	Eriksson
6,176,584	B1	1/2001	Best et al.	7,513,830	B2	4/2009	Hajder et al.
6,183,109	B1	2/2001	Nelson et al.	D592,053	S	5/2009	Suzuki
6,186,645	B1	2/2001	Camarota	D592,709	S	5/2009	McComb et al.
6,201,703	B1	3/2001	Yamada et al.	D599,859	S	9/2009	Lesley et al.
D439,931	S	4/2001	Yamaguchi	D602,772	S	10/2009	Suzuki et al.
D442,640	S	5/2001	Hayashi	D603,909	S	11/2009	De Viveiros Ortiz
6,265,984	B1	7/2001	Molinaroli	D604,368	S	11/2009	Lesley et al.
D446,252	S	8/2001	Yamaguchi	D605,231	S	12/2009	Hashimoto et al.
D447,052	S	8/2001	Goserud	7,641,554	B2	1/2010	Paulsen et al.
6,278,419	B1	8/2001	Malkin	7,654,899	B2	2/2010	Durham et al.
6,283,608	B1	9/2001	Straat	7,667,891	B2	2/2010	Cok et al.
6,319,125	B1	11/2001	Acres	D615,598	S	5/2010	McComb et al.
6,332,690	B1	12/2001	Murofushi	7,708,640	B2	5/2010	Burak et al.
6,334,612	B1	1/2002	Wurz et al.	D619,177	S	7/2010	Lee
D456,750	S	5/2002	McWilliams et al.	D619,660	S	7/2010	Cole et al.
D459,402	S	6/2002	Wurz et al.	7,803,053	B2	9/2010	Atkinson
D460,915	S	7/2002	Lynch	D626,182	S	10/2010	Cole et al.
6,443,837	B1	9/2002	Jaffe et al.	D626,183	S	10/2010	Cole et al.
D464,377	S	10/2002	Wurz et al.	7,826,006	B2	11/2010	Koganezawa
D466,160	S	11/2002	Hirato et al.	7,828,461	B2	11/2010	Mayer et al.
6,475,087	B1	11/2002	Cole	7,833,102	B2	11/2010	Beadell et al.
D471,594	S	3/2003	Nojo	D633,950	S	3/2011	Terpstra et al.
6,577,286	B1	6/2003	Jang	7,927,218	B2	4/2011	Kopera et al.
6,578,847	B1	6/2003	Hendrick et al.	7,966,485	B2	6/2011	Chen et al.
6,579,174	B1	6/2003	Lane et al.	D646,336	S	10/2011	Kelly et al.
6,592,238	B2	7/2003	Cleaver et al.	D649,605	S	11/2011	Terpstra et al.
D481,078	S	10/2003	Stephan	8,054,243	B2	11/2011	Sokolov et al.
6,641,484	B2	11/2003	Oles et al.	8,075,385	B2	12/2011	Jackson
6,682,418	B1	1/2004	Mendes et al.	8,241,124	B2	8/2012	Kelly et al.
6,702,409	B2	3/2004	Hedrick et al.	8,272,957	B2	9/2012	Crowder, Jr. et al.
D489,417	S	5/2004	Munoz et al.	D671,425	S	11/2012	Huljak et al.
6,776,504	B2	8/2004	Sloan et al.	D673,619	S	1/2013	Seelig
D495,754	S	9/2004	Wurz et al.	D673,620	S	1/2013	Johnson et al.
D495,755	S	9/2004	Wurz et al.	D673,621	S	1/2013	Johnson et al.
D496,407	S	9/2004	Gadda et al.	D677,736	S	3/2013	Dorn et al.
D498,267	S	11/2004	Crouch	D678,761	S	3/2013	Cooper
D499,019	S	11/2004	Sagmeister et al.	8,430,756	B2	4/2013	McComb et al.
6,834,979	B1	12/2004	Cleaver et al.	D684,216	S	6/2013	Terpstra et al.
6,860,814	B2	3/2005	Cole	D684,637	S	6/2013	Shelley et al.
6,897,624	B2	5/2005	Lys et al.	D685,435	S	7/2013	Hohman et al.
6,899,626	B1	5/2005	Luciano et al.	8,550,913	B2	10/2013	Kelly et al.
6,906,860	B2	6/2005	Starkweather	D696,109	S	12/2013	Wilker
D508,268	S	8/2005	Hanchar et al.	D697,558	S	1/2014	Myers et al.
D508,961	S	8/2005	Gatto et al.	8,651,963	B1	2/2014	Thompson
6,948,829	B2	9/2005	Verdes et al.	D701,114	S	3/2014	Baumwald et al.
D513,044	S	12/2005	Morrison	D705,872	S	5/2014	Ortiz
6,997,810	B2	2/2006	Cole	D708,676	S	7/2014	Ballman et al.
7,014,563	B2	3/2006	Stephan et al.	8,814,707	B2	8/2014	Slattery
D525,664	S	7/2006	Cole	8,827,819	B2	9/2014	Thompson
7,123,811	B1	10/2006	Chen et al.	D714,875	S	10/2014	Wudtke et al.
D535,338	S	1/2007	Lindard et al.	D715,364	S	10/2014	Wudtke et al.
7,178,941	B2	2/2007	Roberge et al.	8,851,989	B2	10/2014	Rosander et al.
				D720,211	S	12/2014	Brown et al.
				D723,022	S	2/2015	Miles
				D723,626	S	3/2015	Vasquez et al.
				8,974,297	B2	3/2015	Massing et al.

(56)

References Cited

U.S. PATENT DOCUMENTS

D727,431 S 4/2015 Themann
 D732,520 S 6/2015 Themann
 D733,088 S 6/2015 Gameau et al.
 9,064,372 B2 6/2015 Rasmussen et al.
 D740,887 S 10/2015 Randazzo
 D745,093 S 12/2015 Weiss et al.
 D756,236 S 5/2016 DePaz et al.
 D762,613 S 8/2016 Gameau et al.
 D763,361 S 8/2016 Rosander et al.
 RE46,169 E 10/2016 Kelly et al.
 D770,090 S 10/2016 Zahr et al.
 9,478,097 B2 10/2016 Hennessy et al.
 9,504,919 B2 11/2016 Taylor et al.
 D776,801 S * 1/2017 Tamura D23/330
 9,573,050 B2 2/2017 Thompson et al.
 9,679,435 B2 6/2017 Schrementi et al.
 9,711,001 B2 7/2017 Zedell, Jr. et al.
 9,745,107 B2 8/2017 Zahr et al.
 D798,389 S 9/2017 Weiss et al.
 D801,437 S 10/2017 Hohman
 D813,954 S 3/2018 Calhoun et al.
 2003/0064814 A1 4/2003 Stephan et al.
 2004/0001335 A1 1/2004 Wu
 2004/0053663 A1 3/2004 Paulsen et al.
 2004/0053699 A1 3/2004 Rasmussen et al.
 2004/0224776 A1 11/2004 Nagano
 2004/0229698 A1 11/2004 Lind et al.
 2005/0059486 A1 3/2005 Kaminkow
 2005/0130746 A1 6/2005 Stephenson, III et al.
 2005/0215325 A1 9/2005 Nguyen et al.
 2005/0261057 A1 11/2005 Bleich et al.
 2006/0030412 A1 2/2006 Cole
 2006/0073900 A1 4/2006 Cole
 2006/0094511 A1 5/2006 Roireau
 2006/0100013 A1 5/2006 Enzminger
 2006/0131810 A1 6/2006 Nicely
 2006/0183552 A1 8/2006 DiMichele
 2006/0205498 A1 9/2006 Kogo et al.
 2007/0010318 A1 1/2007 Rigsby et al.
 2007/0035965 A1 2/2007 Holst
 2007/0060387 A1 3/2007 Enzminger et al.
 2007/0149291 A1 6/2007 Mitchell
 2007/0159820 A1 7/2007 Crandell et al.
 2007/0171640 A1 7/2007 Sloan et al.
 2007/0197301 A1 8/2007 Cole
 2007/0225079 A1 9/2007 Cole
 2007/0287527 A1 12/2007 Tanabe et al.
 2007/0287528 A1 12/2007 Hirato et al.
 2007/0287544 A1 12/2007 Hirato et al.
 2008/0020838 A1 1/2008 Slattery
 2008/0076553 A1 3/2008 Paulsen et al.
 2008/0113794 A1 * 5/2008 Cole G07F 17/32
 463/31
 2008/0119288 A1 5/2008 Rasmussen
 2008/0186415 A1 8/2008 Boud et al.
 2008/0194313 A1 8/2008 Walker
 2008/0227522 A1 9/2008 Toyoda
 2008/0248852 A1 10/2008 Rasmussen
 2008/0268949 A1 10/2008 Dell
 2009/0011839 A1 1/2009 Cole
 2009/0036208 A1 2/2009 Pennington et al.

2009/0045723 A1 2/2009 Ishikawa
 2009/0179597 A1 7/2009 Salmon
 2009/0247261 A1 10/2009 Koami
 2009/0275389 A1 11/2009 Englman et al.
 2010/0016084 A1 1/2010 Bleich et al.
 2010/0020546 A1 1/2010 Kukita
 2010/0120518 A1 5/2010 Borissov et al.
 2010/0120541 A1 5/2010 Lesley
 2010/0137060 A1 6/2010 Cole
 2011/0118034 A1 5/2011 Jaffe et al.
 2011/0136573 A1 6/2011 McComb et al.
 2011/0195775 A1 8/2011 Wells
 2011/0319152 A1 12/2011 Ross et al.
 2012/0178523 A1 7/2012 Greenberg et al.
 2013/0084948 A1 * 4/2013 Watkins G07F 17/3276
 463/23
 2014/0132891 A1 5/2014 Tohyama et al.
 2014/0206432 A1 7/2014 Radek et al.
 2014/0256409 A1 9/2014 Wood et al.
 2014/0268876 A1 9/2014 Lee et al.
 2014/0323212 A1 10/2014 Thompson et al.
 2015/0141113 A1 5/2015 Melnick et al.
 2015/0269810 A1 9/2015 Wolf et al.
 2015/0336005 A1 11/2015 Melnick et al.
 2017/0178443 A1 6/2017 Calhoun et al.
 2017/0178444 A1 6/2017 Lee et al.
 2018/0082523 A1 * 3/2018 Palermo G07F 17/3216

OTHER PUBLICATIONS

Non-Published Design U.S. Appl. No. 29/540,396, filed Sep. 24, 2015, titled Game Tower.
 Non-Published U.S. Appl. No. 12/947,695, filed Nov. 16, 2010, titled Edge Lighted Gaming Panels for Electronic Gaming Device. Genesis DV1 Cabinets by Cadillac Jack, circa 2010.
 Infinity Super Skybox by Incredible Technologies, <https://gaming.itsgames.com/cabinets/infinity-super-skybox>, Aug. 11, 2016.
 Super Sky Wheel Slot Makes World Premiere at Borgata—Borgata Blog, <http://blog.theborgata.com/2016/06/16/super-sky-wheel-slot-makes-world-premiere-at-borgata/>, Jun. 16, 2016.
 Aristocrat Brings the Game Forward With Advanced New Helix Slant Cabinet, Market Wired, <http://www.marketwired.com/press-release/aristocrat-brings-the-game-forward-with-advanced-new-helix-slant-cabinet-asx-a11-1904223.htm>, Apr. 29, 2014.
 Helix+ by Aristocrat, 2016.
 Helix Upright by Aristocrat, 2014.
 b.POD by Bluberi, <https://www.bluberi.com/bluberi-bpod/>, Accessed Feb. 27, 2018.
 Bluberi Set to Reveal Dramatic New Product Line-Up at G2E 2017, Press Release, Soloazar, <http://www.soloazar.com/international/noticia/19870-Bluberi-Set-to-Reveal-Dramatic-New-Product-Line-Up-at-G2E-2017>, Sep. 15, 2017.
 Bluebird Slant Widescreen literature from www.wms.com/technologyandinnovation_cabinets_widescreen.php dated May 19, 2009, showing a giuning machine cabinet that was sold and/or publicly disclosed at least as early as Dec. 13, 2008.
 Spec International, Inc., GEN-311 gaming machine cabinet, publicly disclosed at least as early as Dec. 13, 2008.
 International Search Report and Written Opinion for PCT/US16/66904 dated Apr. 25, 2017, 13 pages.

* cited by examiner

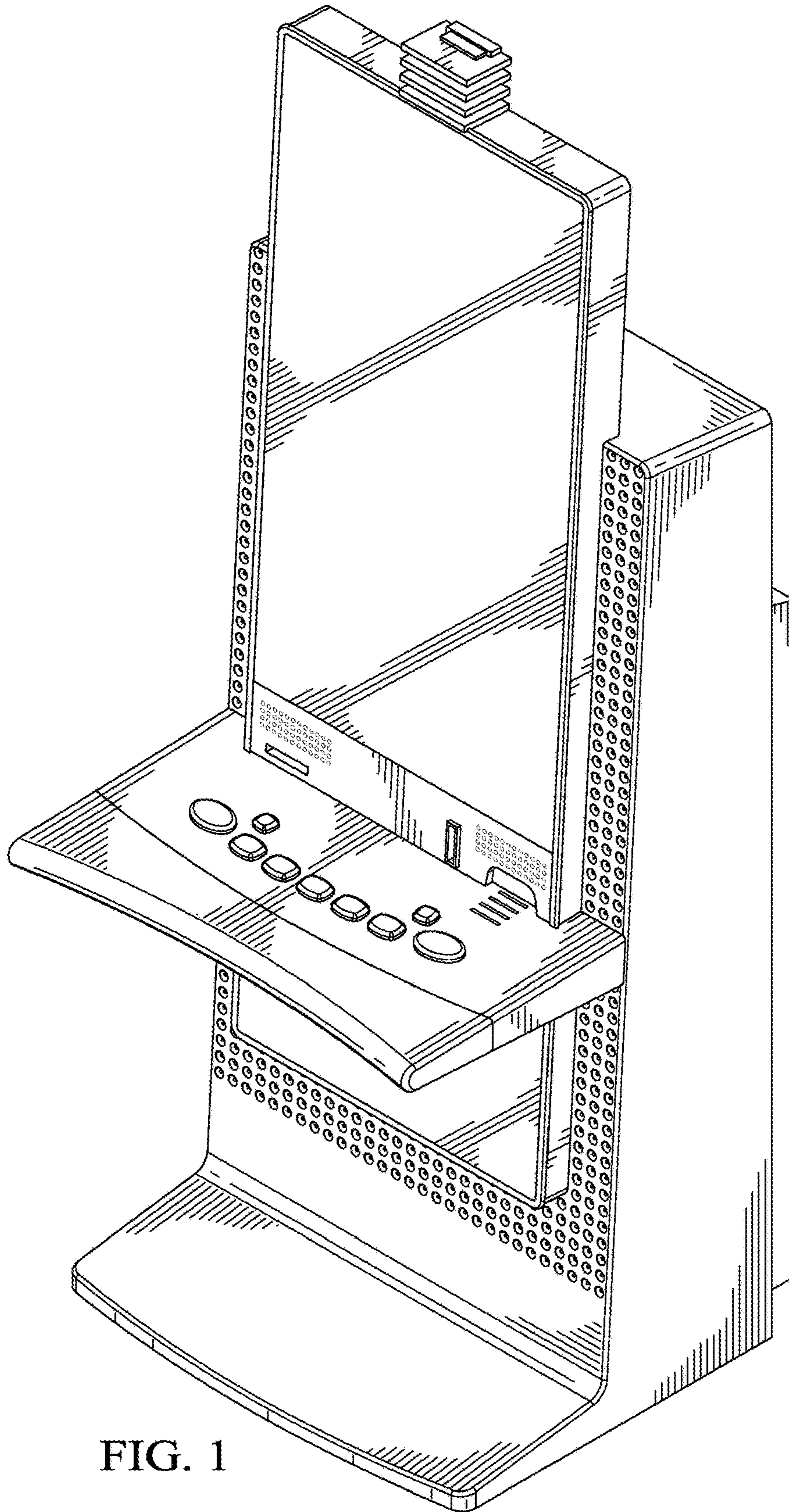


FIG. 1

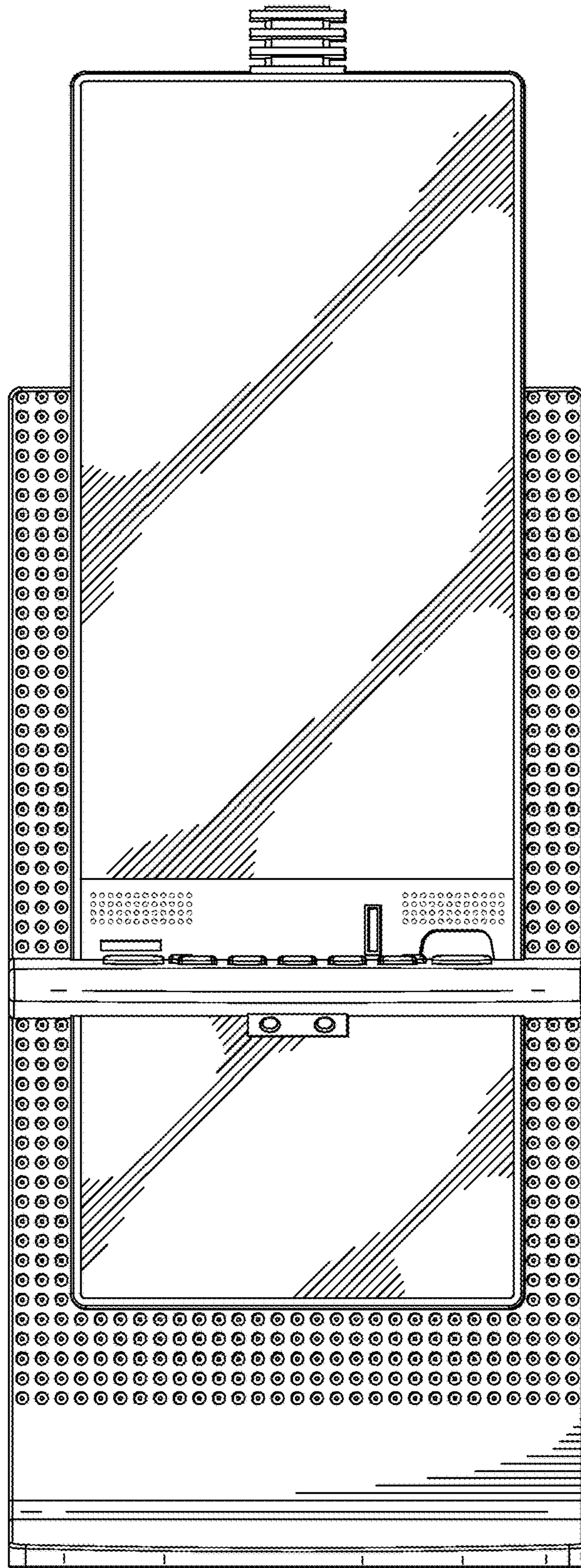


FIG. 2

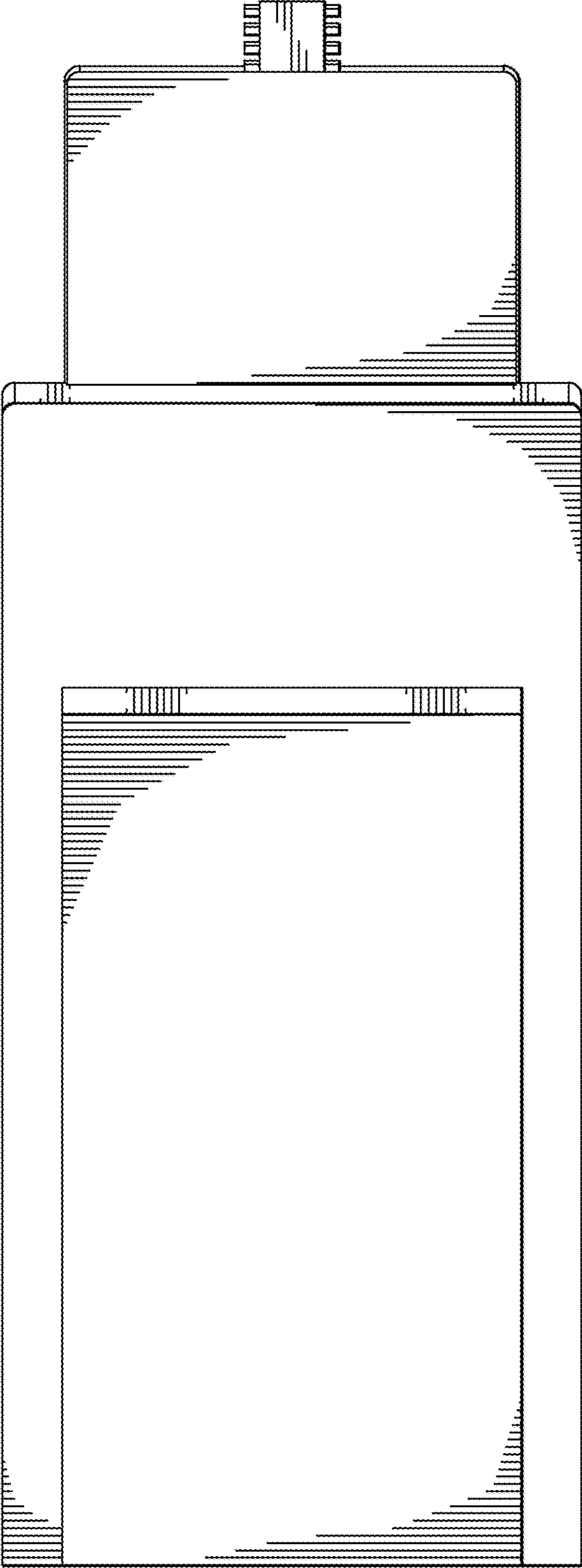


FIG. 3

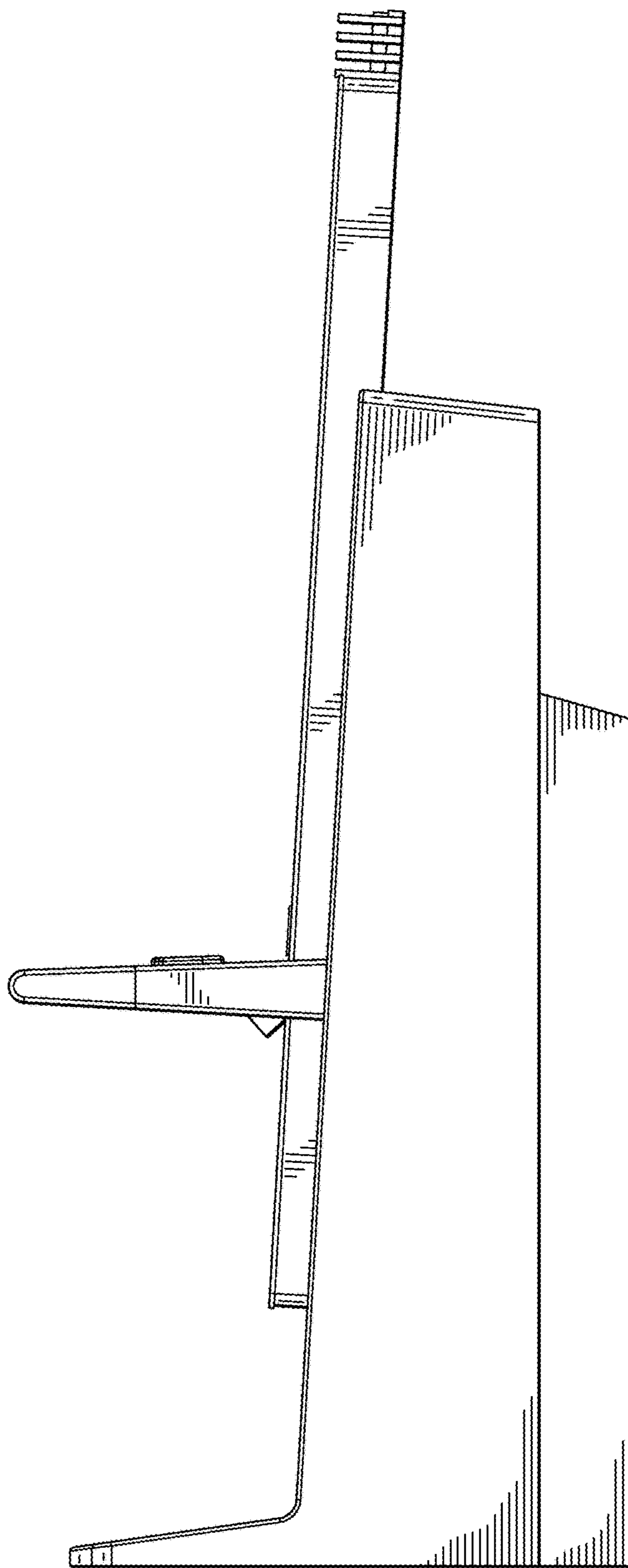


FIG. 4

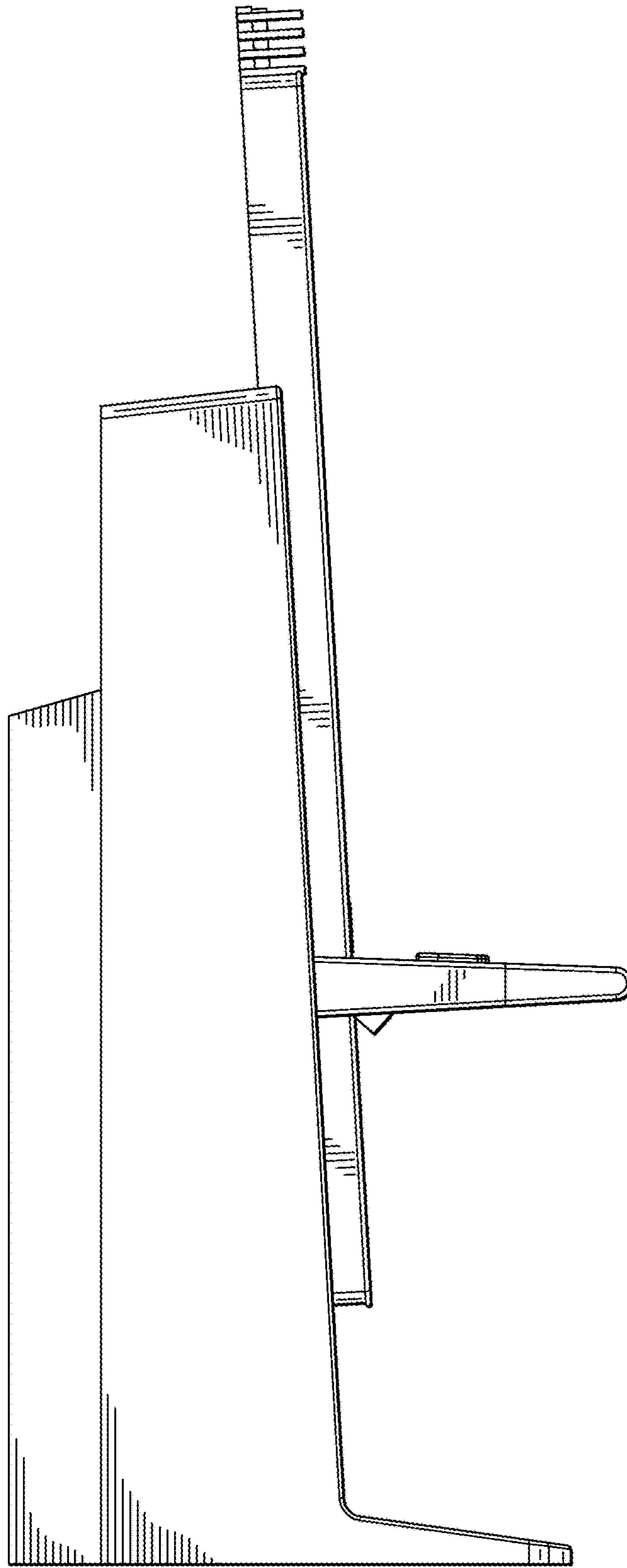


FIG. 5

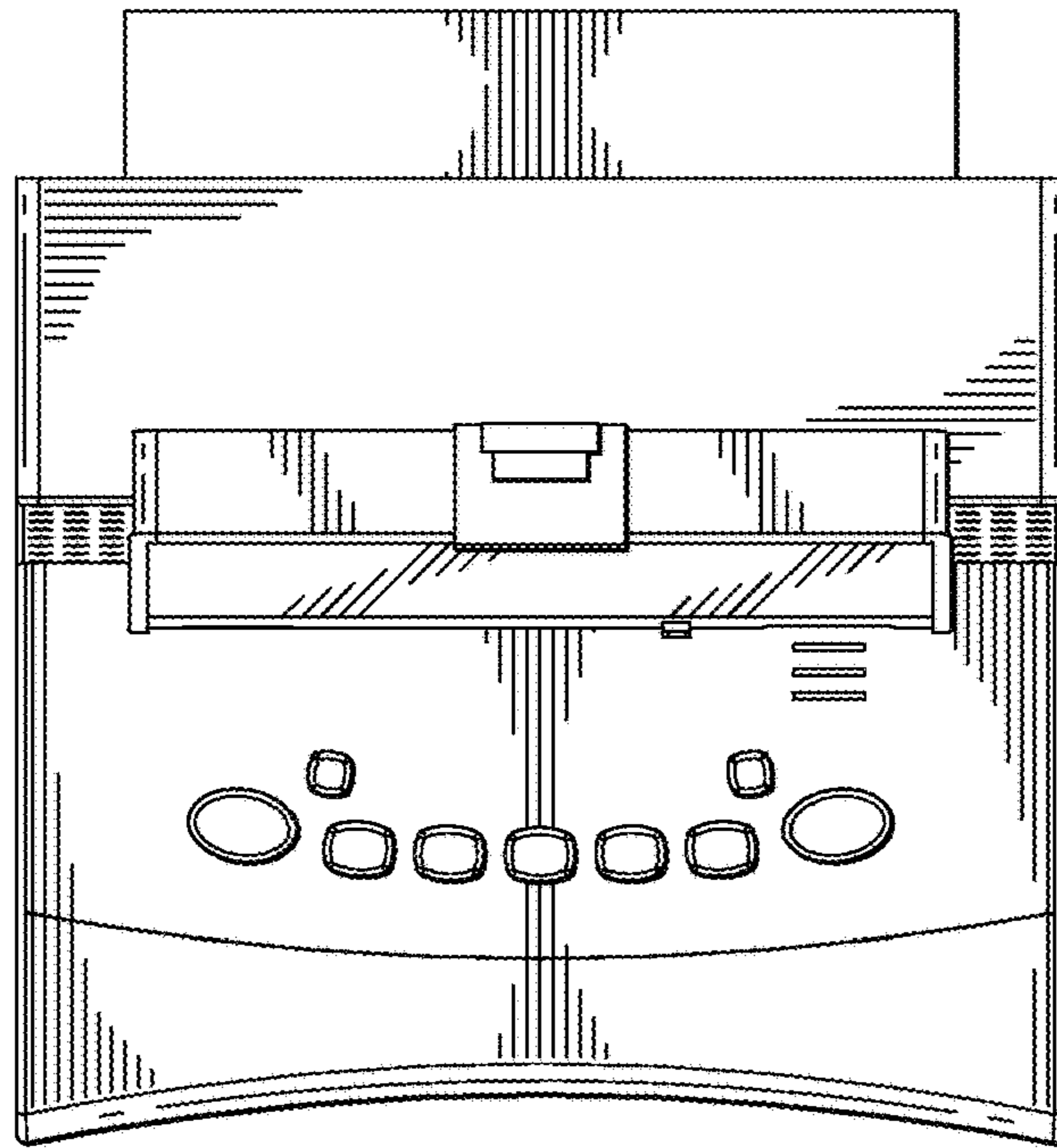


FIG. 6

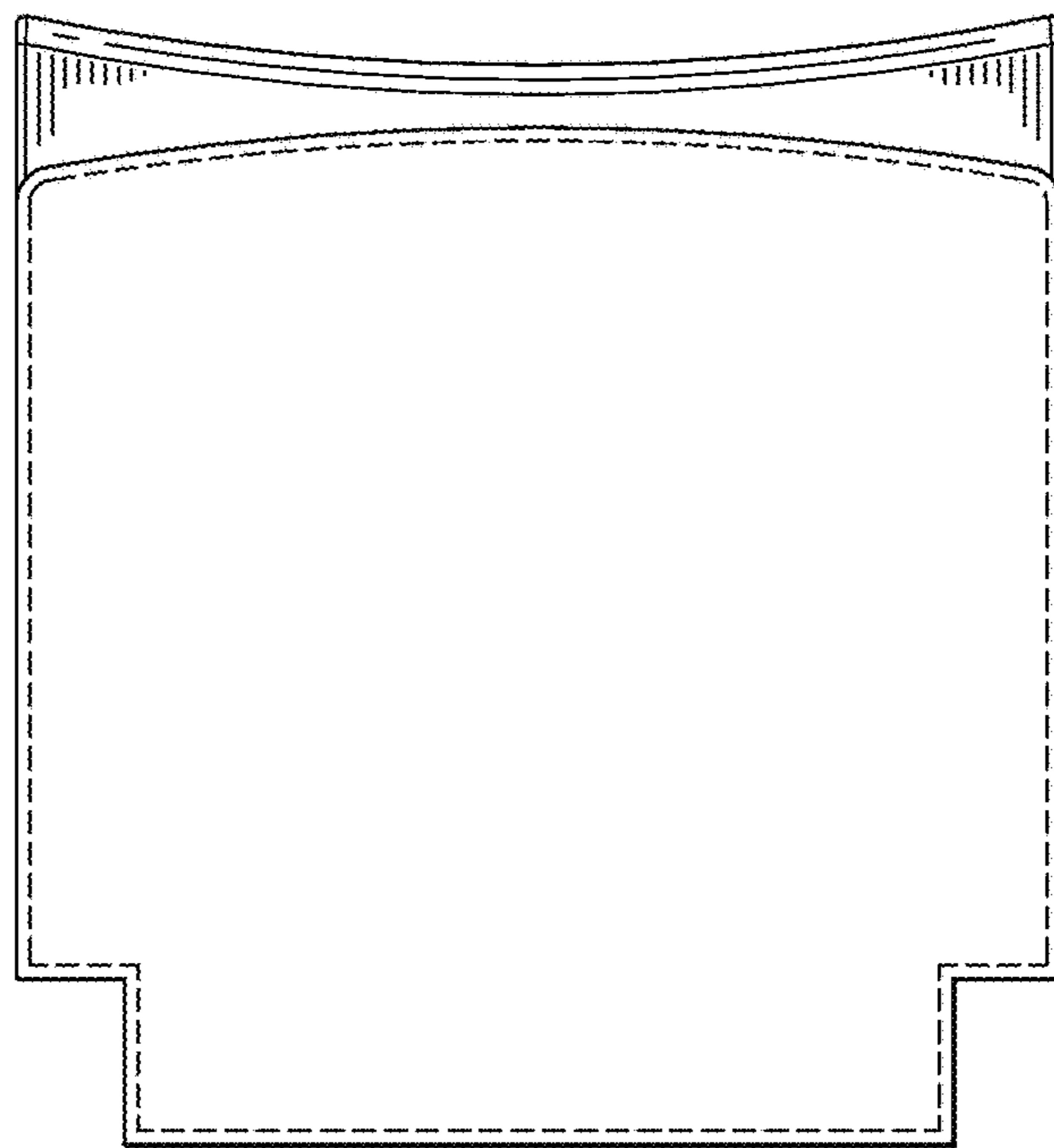


FIG. 7

UNITED STATES PATENT AND TRADEMARK OFFICE
CERTIFICATE OF CORRECTION

PATENT NO. : D834,652 S
APPLICATION NO. : 29/631062
DATED : November 27, 2018
INVENTOR(S) : Sigmund Lee et al.

Page 1 of 1

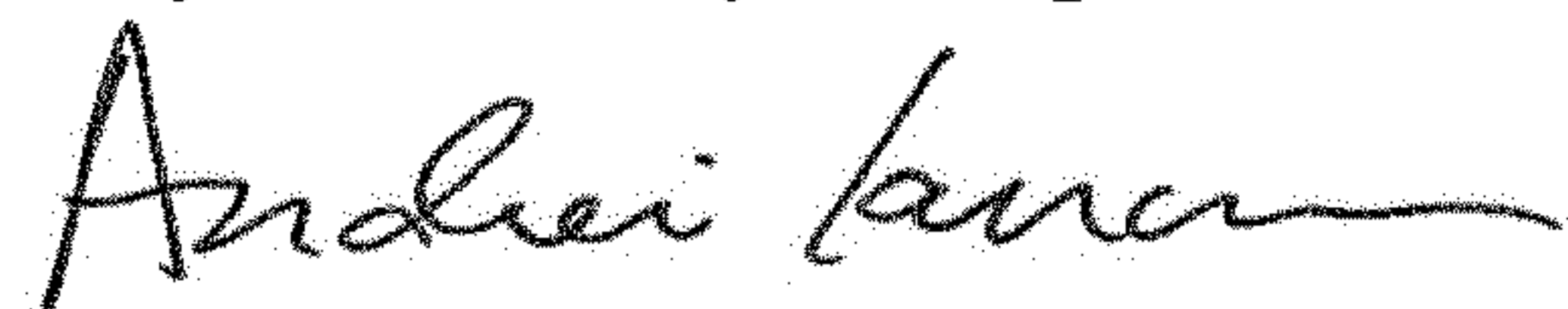
It is certified that error appears in the above-identified patent and that said Letters Patent is hereby corrected as shown below:

On the Title Page

Item (72), should read:

Inventors: Sigmund Lee, Atlanta, GA (US); Karl Frederick Zedell, Jr., Alpharetta, GA (US); Rachel Calhoun Lewis, Atlanta, GA (US); Wei Gu, Daly City, CA (US); Ariel David Turgel, San Francisco, CA (US); Daniel Kendall Harden, Palo Alto, CA (US)

Signed and Sealed this
Twenty-fourth Day of September, 2019



Andrei Iancu
Director of the United States Patent and Trademark Office