



US00D834651S

(12) **United States Design Patent**
Schultheis et al.

(10) **Patent No.:** **US D834,651 S**

(45) **Date of Patent:** **** Nov. 27, 2018**

(54) **PLAYING SURFACE FOR A SPINNING TOP TOY**

D30/121, 129–133; D11/143, 144, 152, D11/153, 155, 156, 164; 47/65, 65.5, 47/65.6, 66.7, 71, 73–75, 39; 473/569; 463/69

(71) Applicant: **TOMY COMPANY, LTD.**, Tokyo (JP)

CPC A63F 3/00; A63F 3/00003; A63F 3/00028; A63F 3/00041; A63F 3/00044; A63F 3/00047; A63F 3/00173; A63F 3/00176; A63F 3/00214; A63F 3/00261; A63F 3/00643; A63F 3/00646–3/00659; A63F 3/04; A63F 2003/00182; A63F 2003/00223; A63F 2003/00457; A63F 2003/0046; A63F 2003/00463; A63F 2003/00466; A63F 2003/0047; A63F 2003/00485; A63F 2003/00492; A63F 2003/00507; A63F

(72) Inventors: **Douglas Arthur Schultheis**, Cumberland, RI (US); **Ramon Antonio Campos**, Pawtucket, RI (US); **Michelino Paolino, Jr.**, Rumford, RI (US)

(73) Assignee: **TOMY COMPANY, LTD.**, Tokyo (JP)

(**) Term: **15 Years**

(21) Appl. No.: **29/615,378**

(Continued)

(22) Filed: **Aug. 29, 2017**

(56) **References Cited**

(51) **LOC (11) Cl.** **21-01**

U.S. PATENT DOCUMENTS

(52) **U.S. Cl.**

USPC **D21/338**; D21/397

D117,405 S * 10/1939 Neas D21/368
3,643,954 A * 2/1972 Meyer A63F 9/02
273/119 A

(58) **Field of Classification Search**

USPC D21/334, 336–342, 355–359, 365, 318, D21/397, 312, 314, 320, 362, 366, 367, D21/385, 455, 456, 460, 461, 484, D21/491–501, 561, 564, 363, 368; 273/242, 244–247, 259, 277, 287, 317.3, 273/108.1, 108.5, 118 D, 236–240, 283, 273/309, 441, 461, 108.2, 108.3, 113, 273/115, 116, 241, 280, 282.1, 282.2, 273/282.3, 289, 148 R, 440, 444, 450, 273/453, 459, 109, 110, 108; D6/406.1, D6/406.3, 406.4, 406.6; D19/86, 92, 95, D19/87, 113, 75, 77, 78, 80; 108/14, 62, 108/43, 67; 434/416, 247, 248, 251, 408, 434/413, 145, 430; 446/82, 168, 236, 446/256, 257, 259, 262, 263, 491; D7/538–550.1, 552.2, 553.1–553.8, D7/554.1–554.4, 558, 584–588, 601, 602, D7/359, 354, 356; D9/737, 756, D9/758–761, 414, 424–433, 456, 499;

(Continued)

Primary Examiner — Susan Moon Lee

(74) *Attorney, Agent, or Firm* — Staas & Halsey LLP

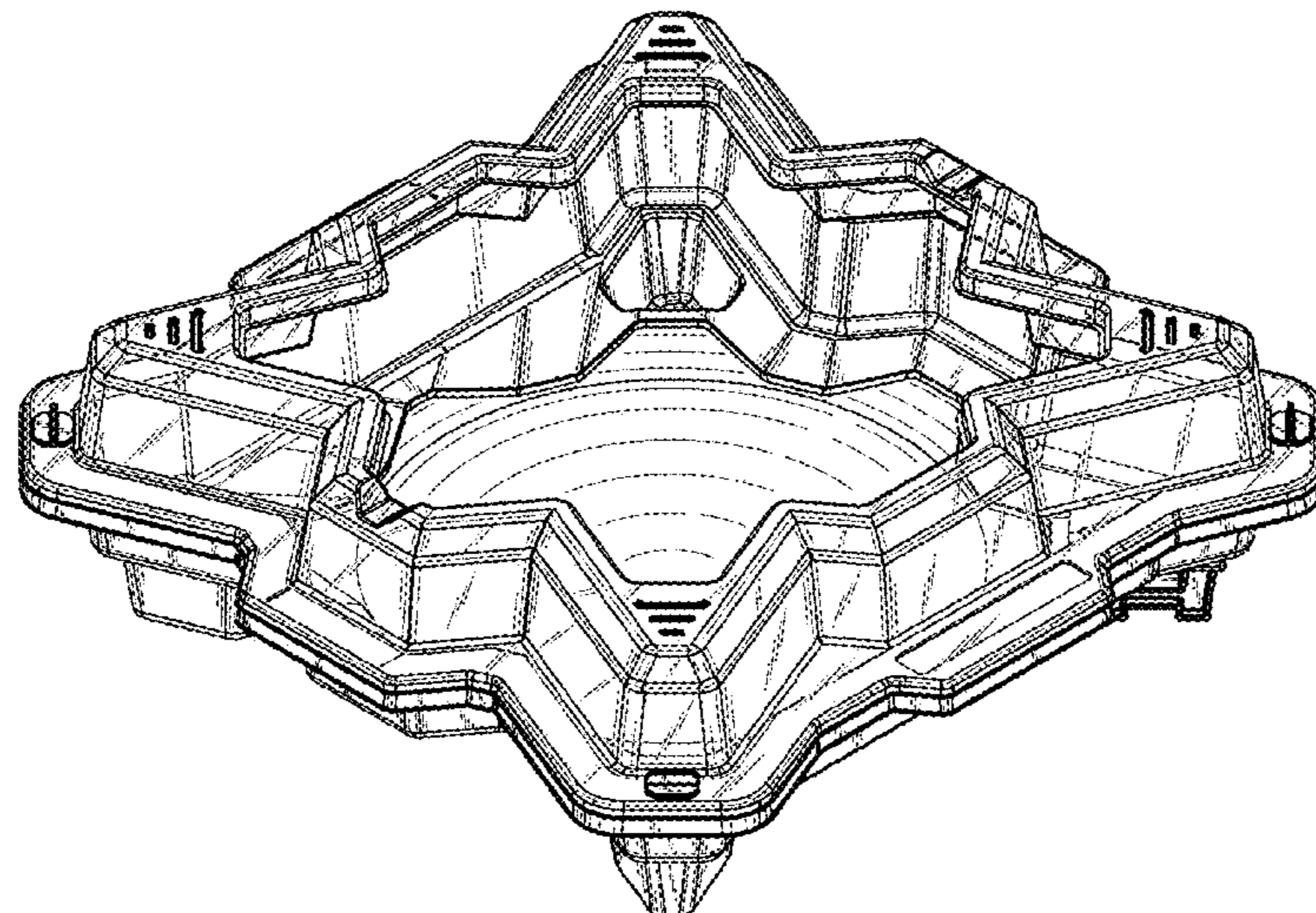
(57) **CLAIM**

The ornamental design for a playing surface for a spinning top toy, as shown.

DESCRIPTION

FIG. 1 is a front view of the playing surface for a spinning top toy showing our design;
FIG. 2 is a left side view thereof;
FIG. 3 is a rear view thereof;
FIG. 4 is a right side view thereof;
FIG. 5 is a top view thereof;
FIG. 6 is a bottom view thereof; and,
FIG. 7 is a perspective view thereof.

1 Claim, 7 Drawing Sheets



(58) **Field of Classification Search**

CPC 2003/00514; A63F 2003/00533; A63F
2003/00552; A63F 2003/00558; A63F
2003/00943; A63F 2003/00946; A63F
2003/00952–2003/00962; A63F
2003/00974; A63F 7/00; A63F 7/06;
A63F 7/0612; A63F 7/0604; A63F
7/0616–7/0636; A63F 7/30; A63F 7/36;
A63F 7/0005; A63F 7/0017; A63F
7/0023; A63F 2007/0035; A63F
2007/367; A63F 2007/3674; A63F 9/00;
A63F 9/16; A63F 2009/165

See application file for complete search history.

(56) **References Cited**

U.S. PATENT DOCUMENTS

3,672,095 A * 6/1972 Goldfarb A63F 9/16
446/263
3,686,791 A * 8/1972 Mills E04C 1/395
47/83
4,061,334 A * 12/1977 Kanno A63F 9/02
273/109
4,648,602 A * 3/1987 Maroney A63F 9/0402
273/146
D302,185 S * 7/1989 Cramer D21/363
D303,231 S * 9/1989 Mottmiller D11/143
4,982,961 A * 1/1991 Ichimura A63F 9/16
273/109
5,342,064 A * 8/1994 Williamson A63F 9/30
273/447
5,368,300 A * 11/1994 Becker A63F 7/025
273/119 R
6,612,073 B1 * 9/2003 Powell A01G 9/023
47/65.5
D493,384 S * 7/2004 Jensen D11/143
7,017,746 B2 * 3/2006 Apps B65D 1/243
206/509

7,043,877 B1 * 5/2006 Jensen A01G 9/023
47/82
D522,913 S * 6/2006 Kavur D11/151
D526,837 S * 8/2006 Henry D7/359
D526,838 S * 8/2006 Park D7/359
D561,588 S * 2/2008 Gilfert D9/456
D582,199 S * 12/2008 Ainsworth D7/359
D600,380 S * 9/2009 van der Lande D26/47
D606,125 S * 12/2009 Ujita D21/397
D606,126 S * 12/2009 Ujita D21/397
D632,960 S * 2/2011 Gilfert D9/456
D644,559 S * 9/2011 Hashimoto D11/143
D699,106 S * 2/2014 Glaser D9/456
8,757,628 B1 * 6/2014 Baker A63F 9/34
273/118 A
D715,623 S * 10/2014 Holtby D8/356
D743,666 S * 11/2015 Carroll D1/106
D750,975 S * 3/2016 Prince D9/758
D795,695 S * 8/2017 Snedden D9/424
D806,801 S * 1/2018 Shindo D21/338
D811,487 S * 2/2018 Shindo D21/338
2003/0199222 A1 * 10/2003 Matsukawa A63H 1/04
446/256
2007/0186469 A1 * 8/2007 Keats B65D 21/043
47/83
2008/0216403 A1 * 9/2008 Schmidt A01G 9/023
47/83
2010/0159798 A1 * 6/2010 Bertrand A63H 1/02
446/259
2011/0024318 A1 * 2/2011 Gilfert B65B 21/02
206/433
2011/0189921 A1 * 8/2011 Andersen A63F 3/00643
446/242
2014/0302743 A1 * 10/2014 Cai A63H 1/18
446/256
2017/0239558 A1 * 8/2017 Shindo A63H 1/00
2017/0333783 A1 * 11/2017 Shindo A63F 9/16
2018/0104602 A1 * 4/2018 Muraki A63H 1/00

* cited by examiner

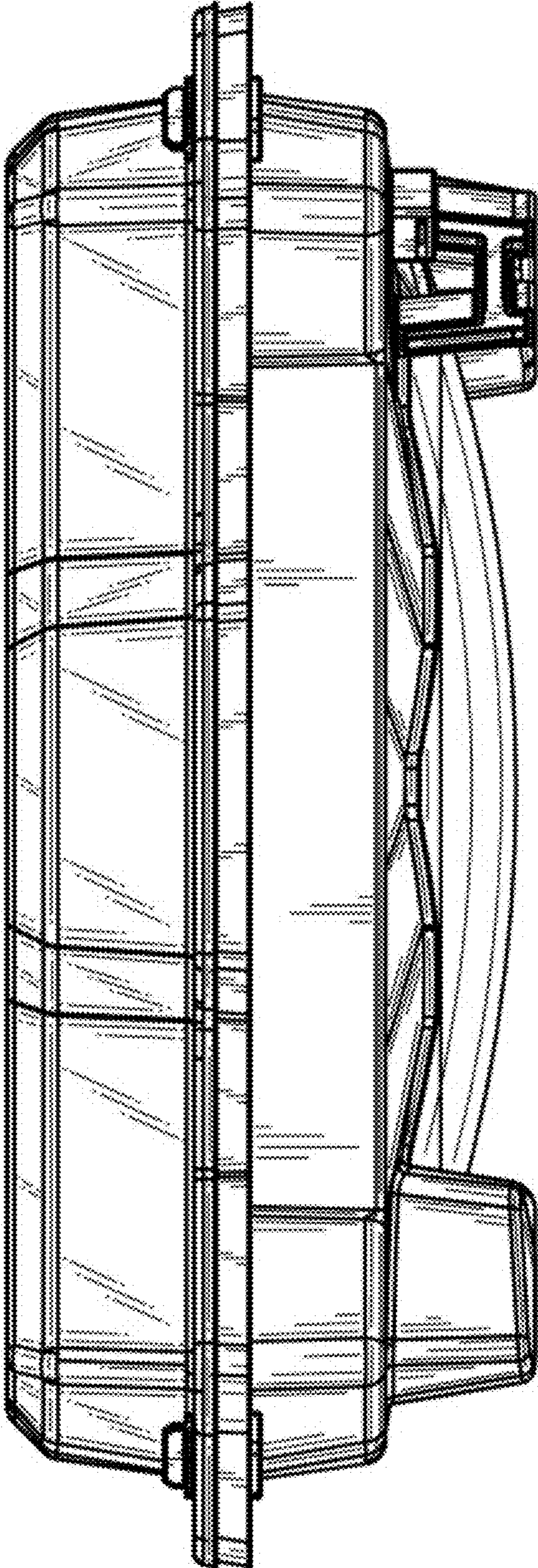


FIG. 1

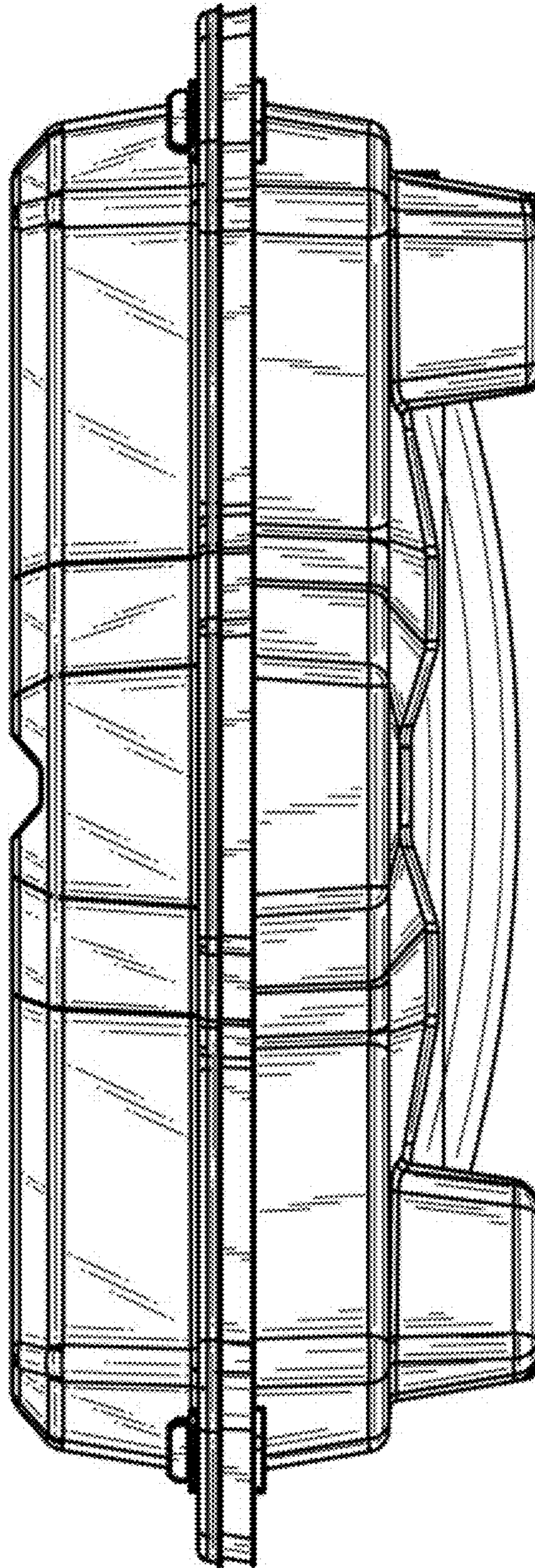


FIG. 2

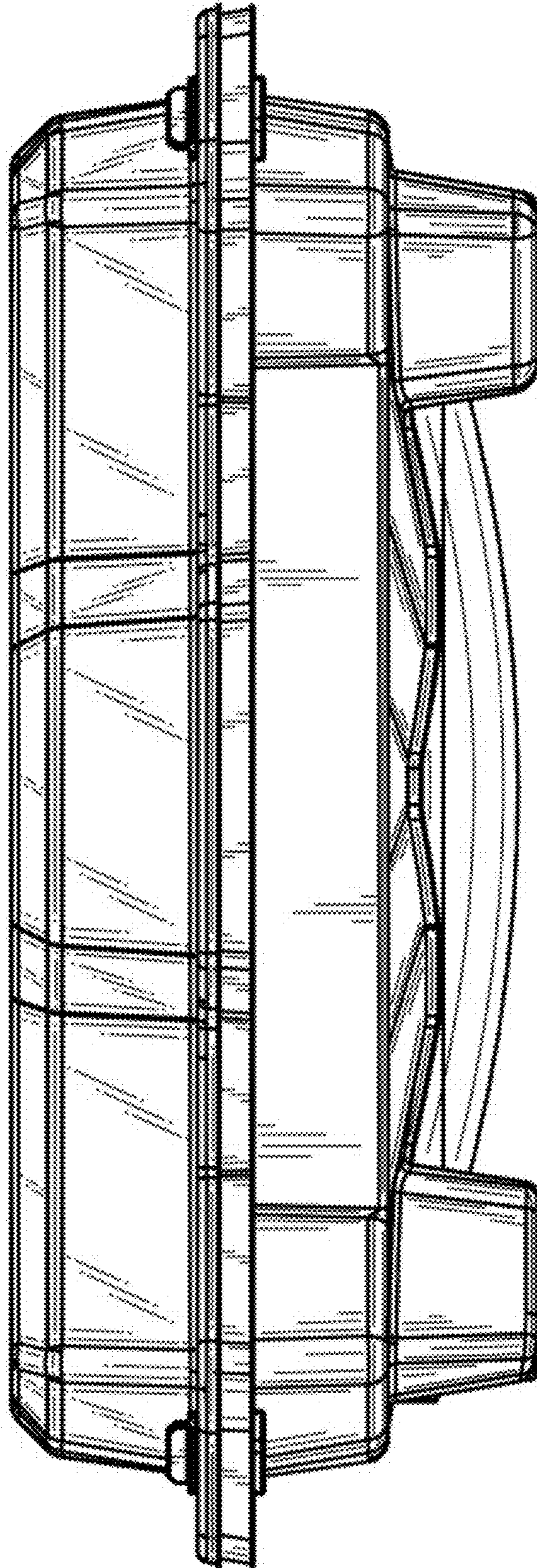


FIG. 3

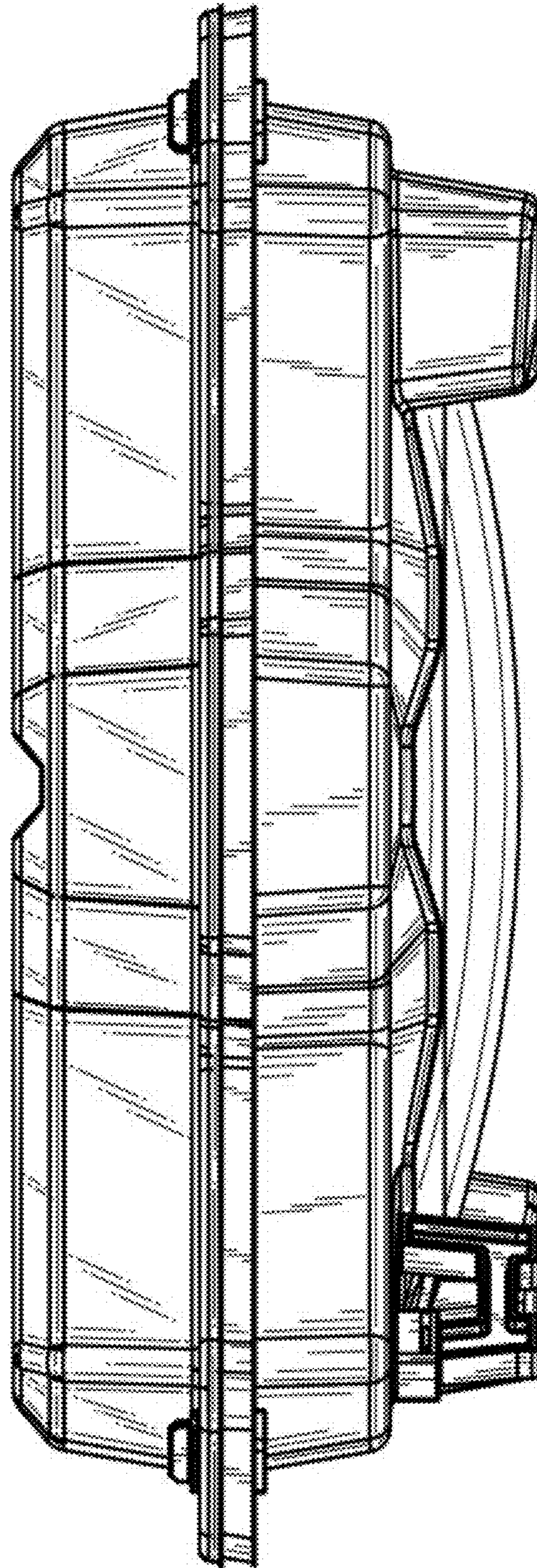


FIG. 4

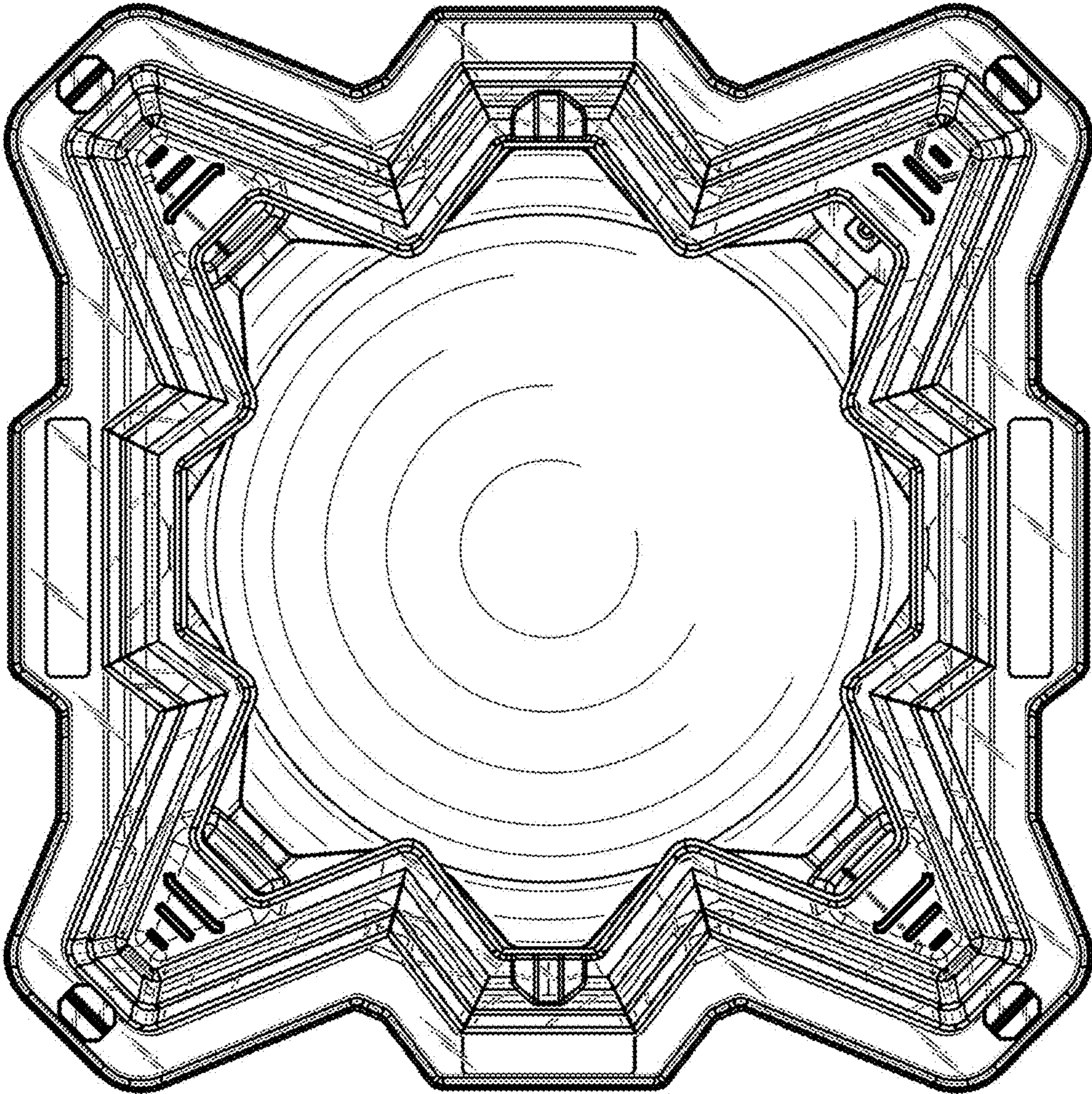


FIG. 5

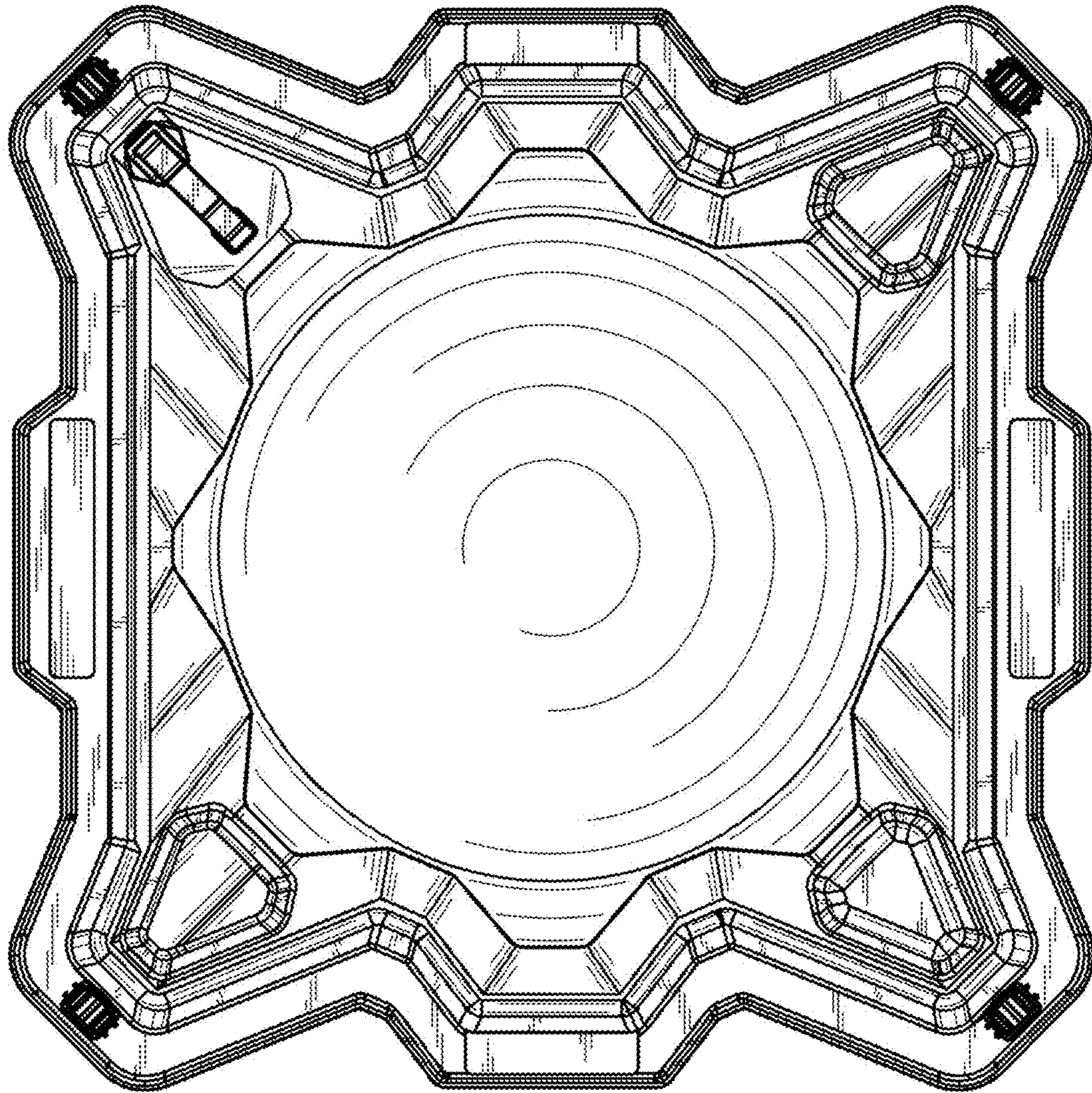


FIG. 6

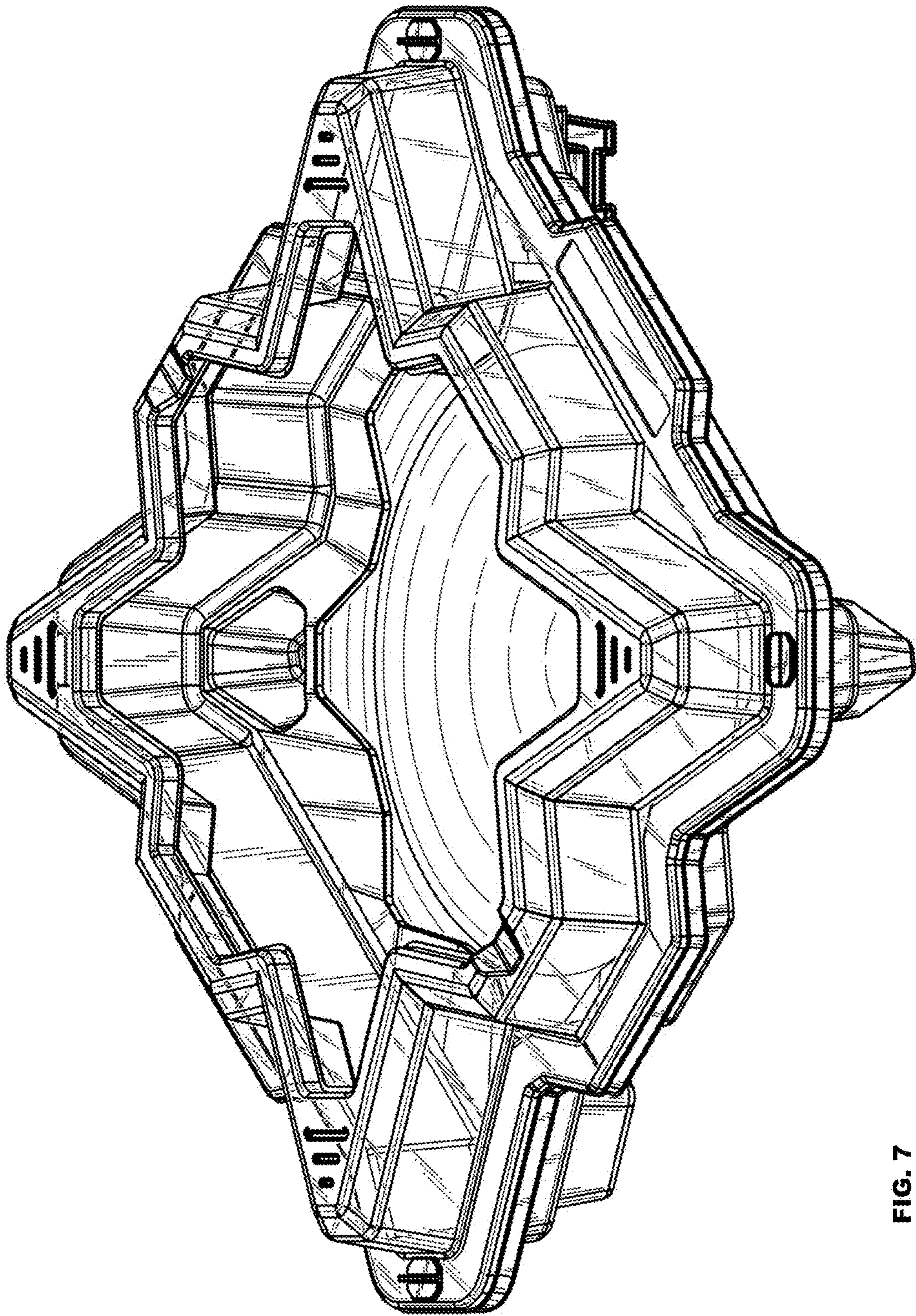


FIG. 7