

US00D834650S

(12) **United States Design Patent** (10) **Patent No.:** **US D834,650 S**
Li et al. (45) **Date of Patent:** **** Nov. 27, 2018**

(54) **ELECTRIC BALANCE SCOOTER**
(71) Applicant: **NINEBOT(BEIJING)TECH. CO., LTD**, Beijing (CN)
(72) Inventors: **Zhixing Li**, Beijing (CN); **Lei Liu**, Beijing (CN); **Lufeng Gao**, Beijing (CN); **Ye Wang**, Beijing (CN)
(73) Assignee: **Ninebot (Beijing) Tech. Co., Ltd**, Beijing (CN)

(**) Term: **15 Years**
(21) Appl. No.: **35/503,765**
(22) Filed: **Jul. 20, 2017**

(80) **Hague Agreement Data**
Int. Filing Date: **Jul. 20, 2017**
Int. Reg. No.: **DM/097803**
Int. Reg. Date: **Jul. 20, 2017**
Int. Reg. Pub. Date: **Oct. 6, 2017**

(30) **Foreign Application Priority Data**
Jan. 20, 2017 (CN) 2017 3 0024089
(51) **LOC (11) Cl.** **12-11**
(52) **U.S. Cl.**
USPC **D21/1**
(58) **Field of Classification Search**
USPC D12/1, 107, 109, 111-113
CPC ... B62K 9/00; B62K 3/00; B62K 3/02; B62K 3/04; B62K 3/06; B62K 3/08; B62K 3/10; B62K 11/00; B62K 11/007; B62B 7/00; B62B 7/006; B62B 7/04; B62B 7/06; B62B 7/10; B62B 7/14; B62B 7/145; B62D 51/00; B62D 51/001; B62D 51/02

See application file for complete search history.

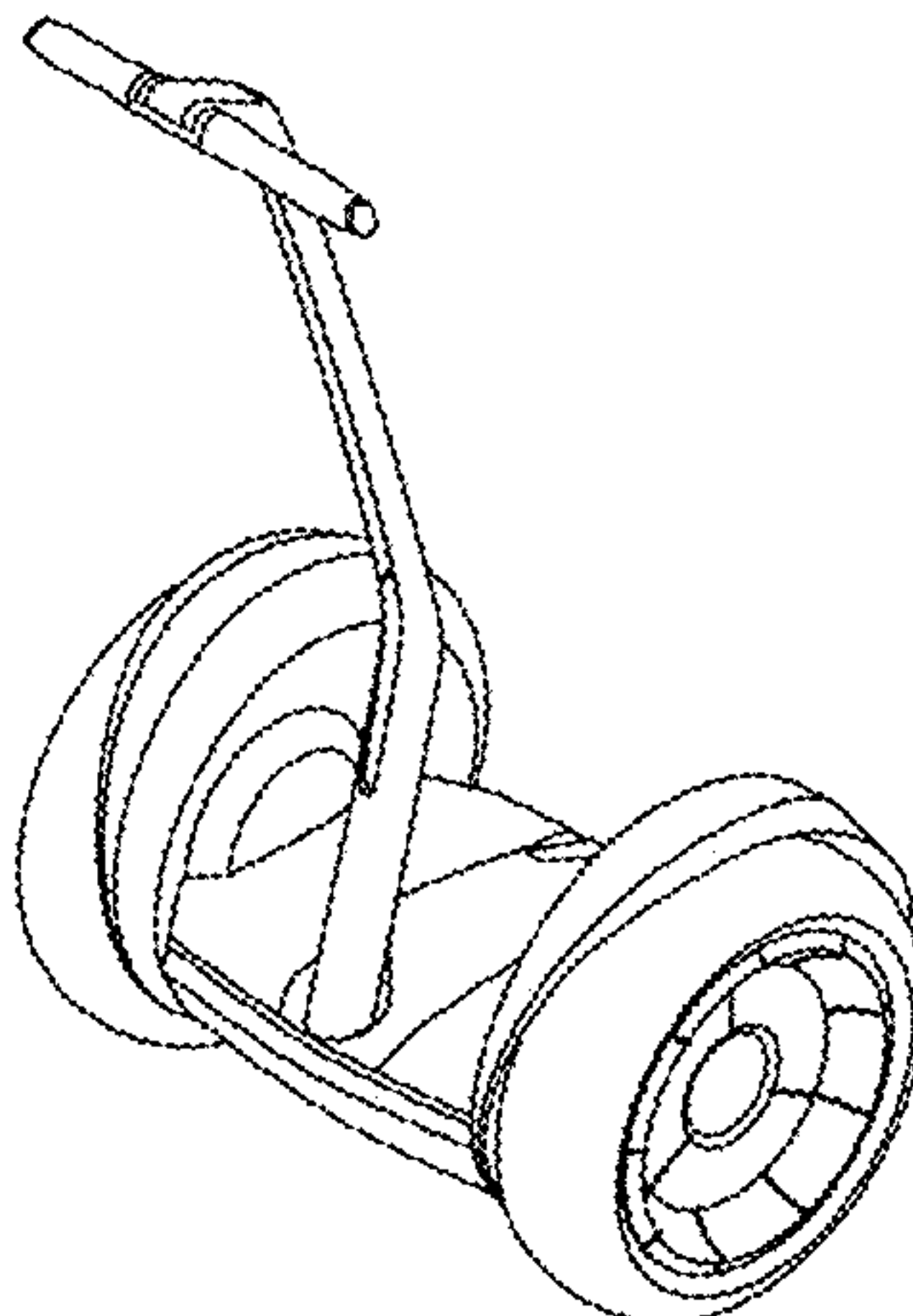
(56) **References Cited**
U.S. PATENT DOCUMENTS
7,370,713 B1 * 5/2008 Kamen A63C 17/12 180/21
7,703,568 B2 * 4/2010 Ishii A63C 17/12 180/218
7,784,206 B2 * 8/2010 Trainer G09F 15/0087 280/211
8,262,270 B1 * 9/2012 Purinton B60Q 1/0483 362/506
D743,843 S * 11/2015 Guo D12/1
(Continued)

Primary Examiner — George D. Kirschbaum
Assistant Examiner — Joseph J Kukella
(74) *Attorney, Agent, or Firm* — Margaret Polson; Polson Intellectual Property Law, PC

(57) **CLAIM**
The ornamental design for an electric balance scooter, as shown and described.

DESCRIPTION
The patent or application file contains at least one drawing executed in color. Copies of this patent or patent application publication with color drawing(s) will be provided by the Office upon request and payment of the necessary fee.
1. -2. Electric balance scooter
1.1 : Front
1.2 : Back
1.3 : Left
1.4 : Right
1.5 : Top
1.6 : Bottom
1.7 : Perspective
2.1 : Front
2.2 : Back
2.3 : Left
2.4 : Right

(Continued)



2.5 : Top
2.6 : Bottom
2.7 : Perspective

1 Claim, 14 Drawing Sheets
(7 of 14 Drawing Sheet(s) Filed in Color)

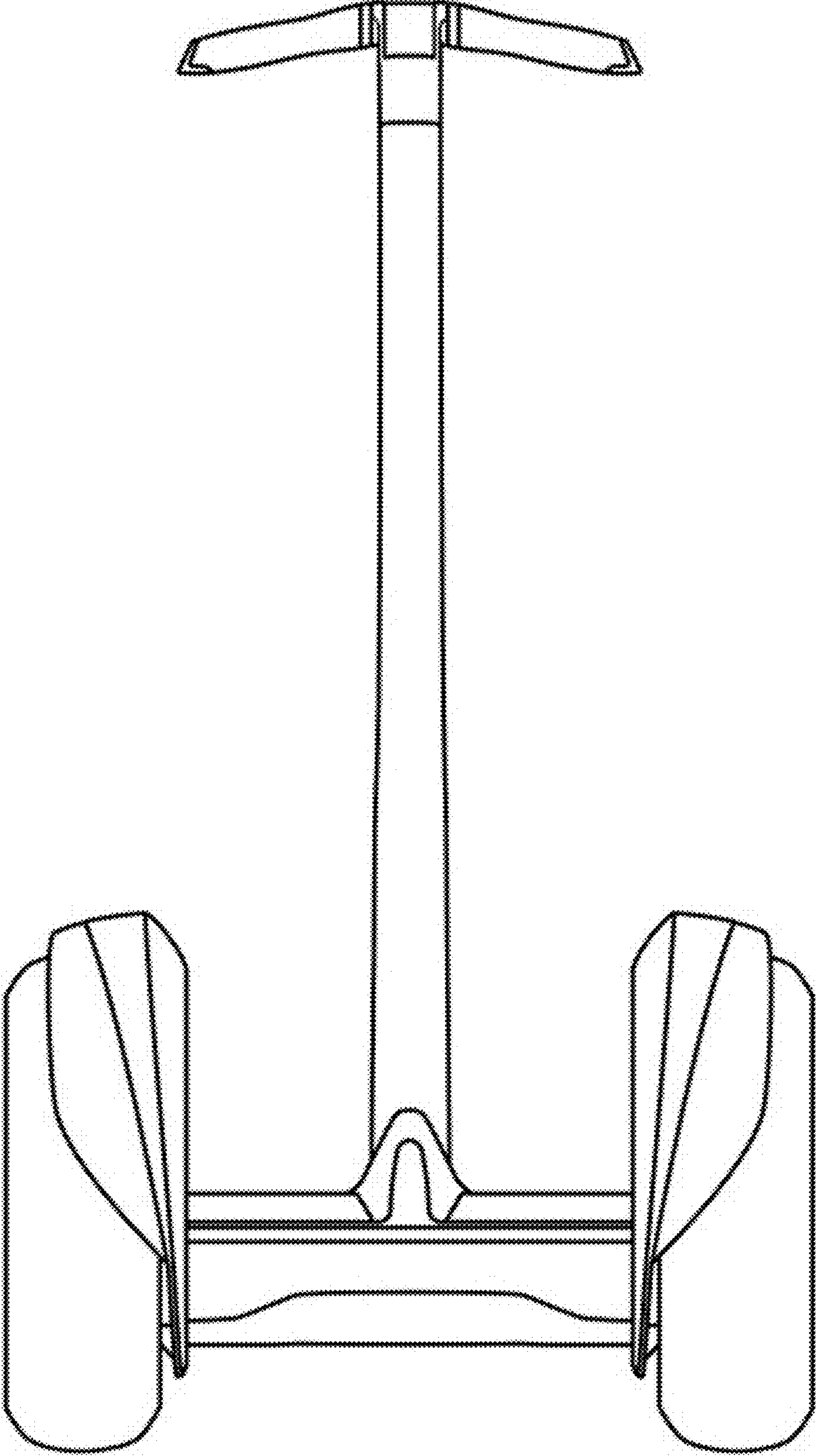
(56) **References Cited**

U.S. PATENT DOCUMENTS

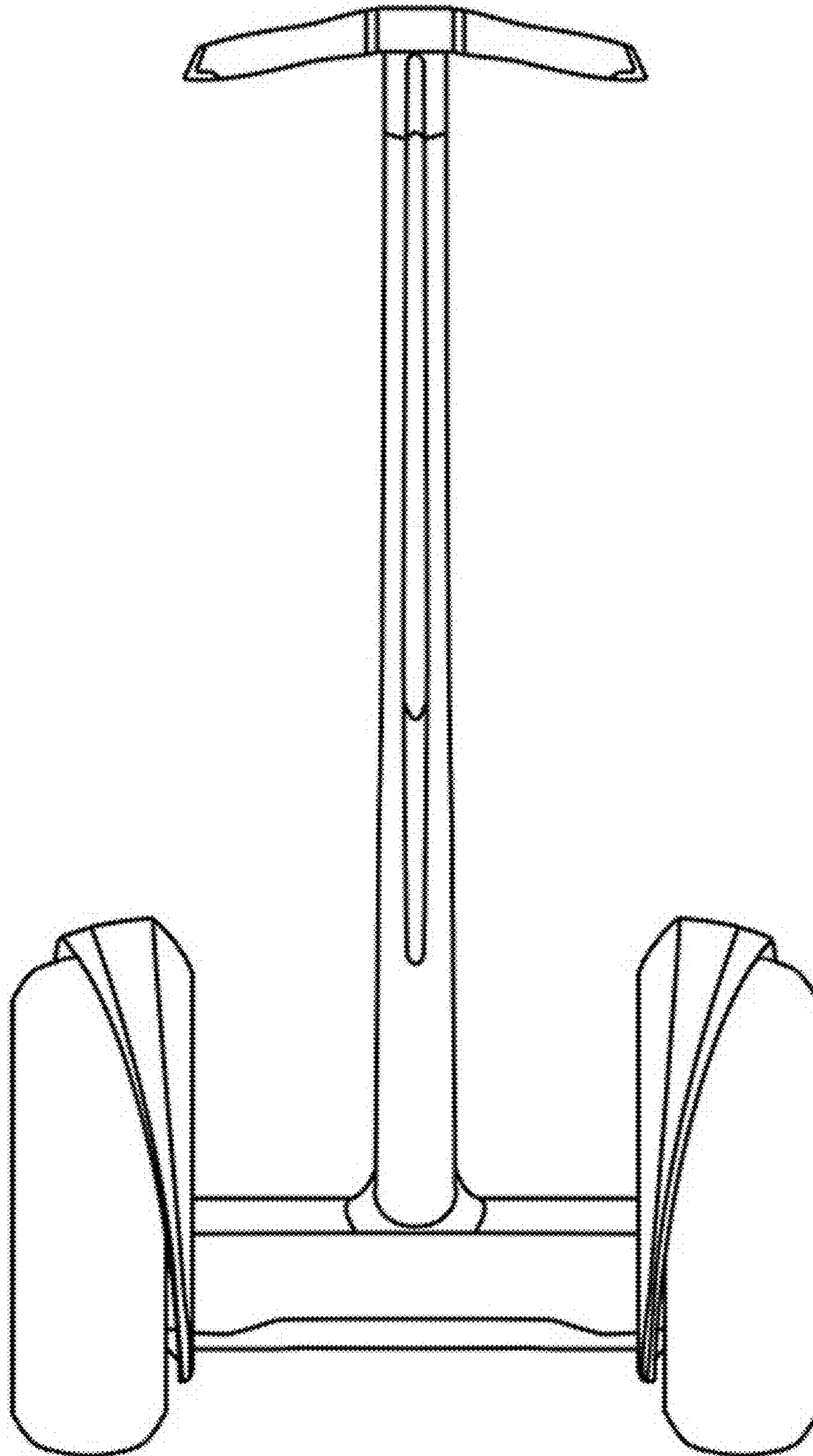
D748,533 S *	2/2016	Collins	D12/1
D774,600 S *	12/2016	Tao	D12/1
D793,905 S *	8/2017	Liu	D12/1
D820,157 S *	6/2018	Chen	D12/1

* cited by examiner

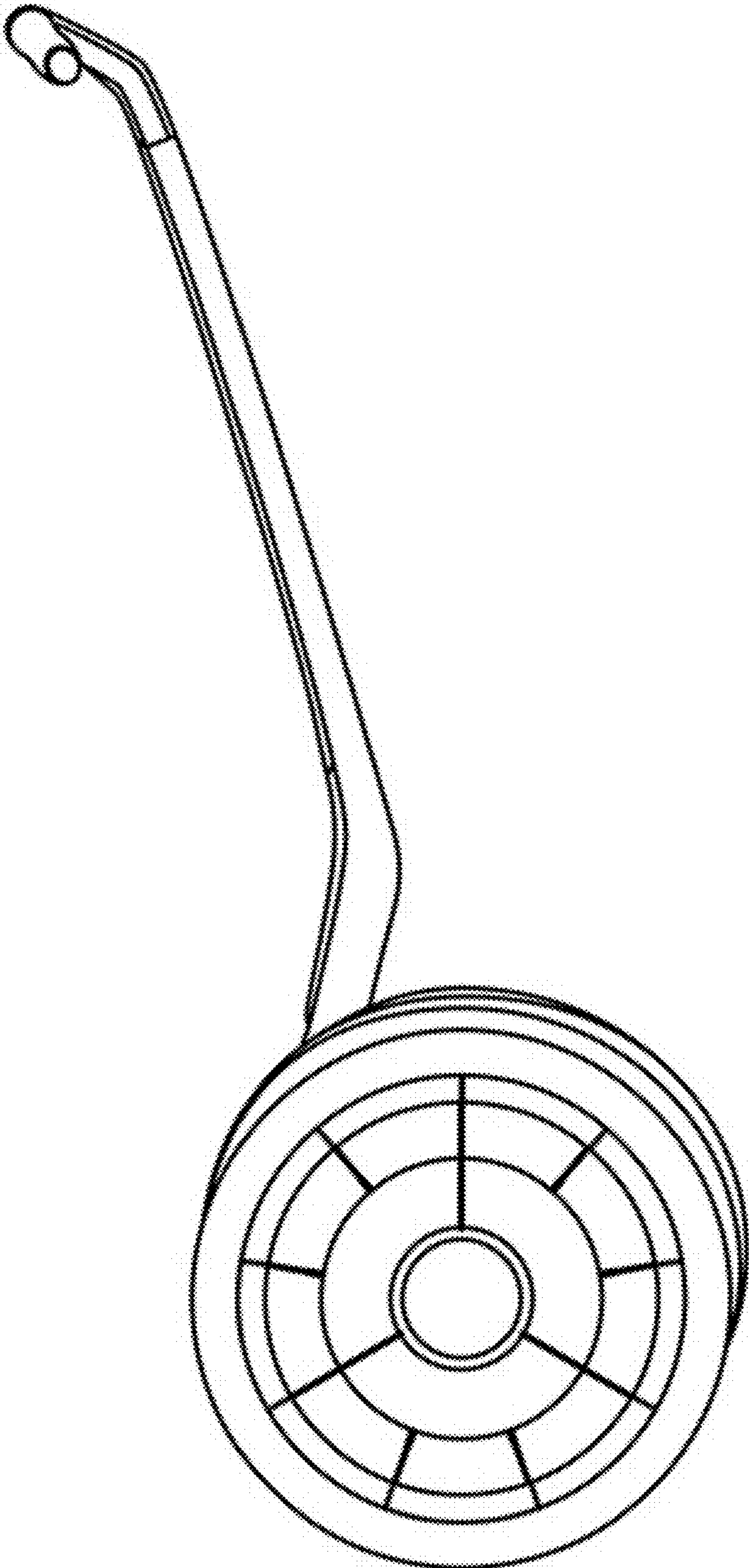
1.1



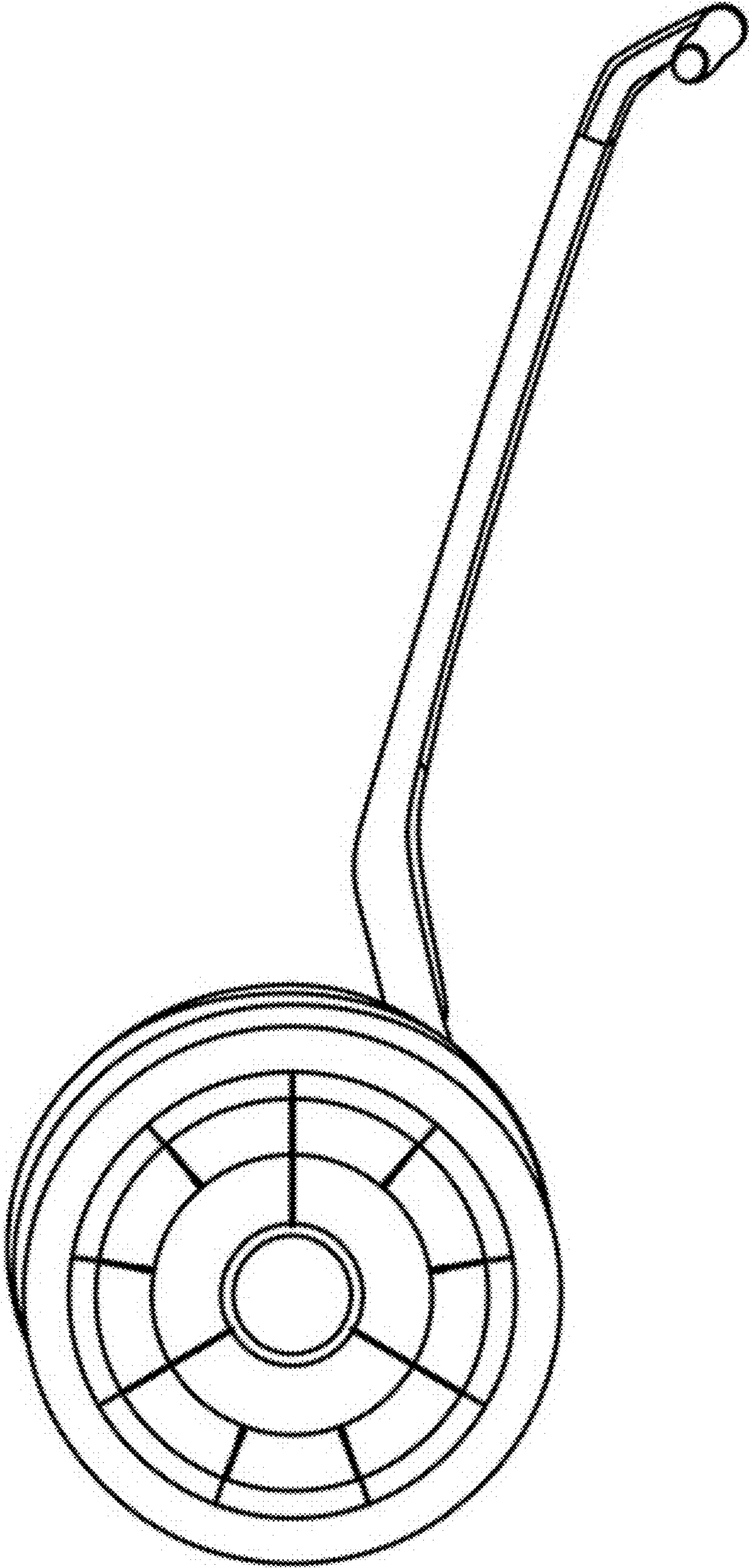
1.2



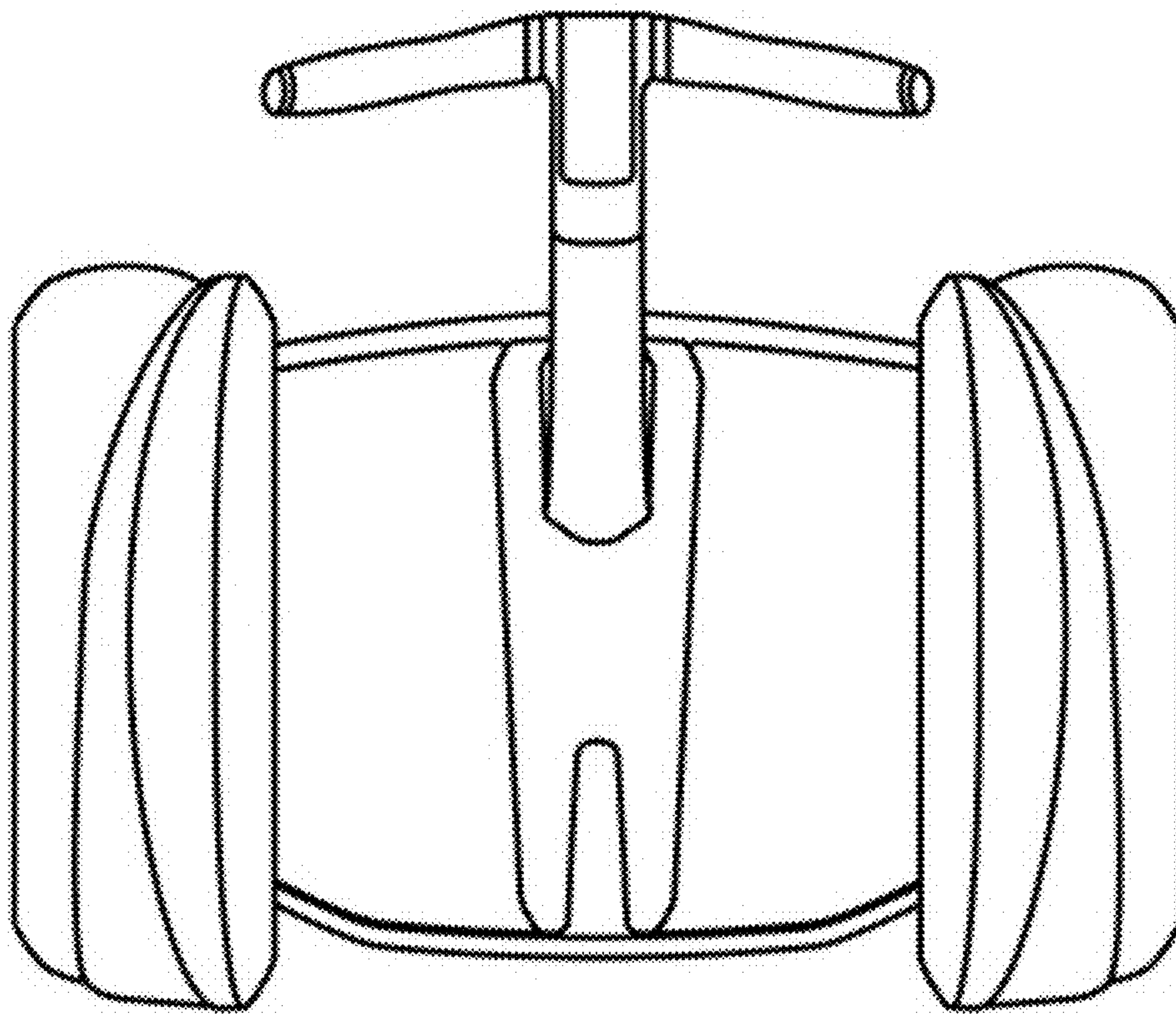
1.3



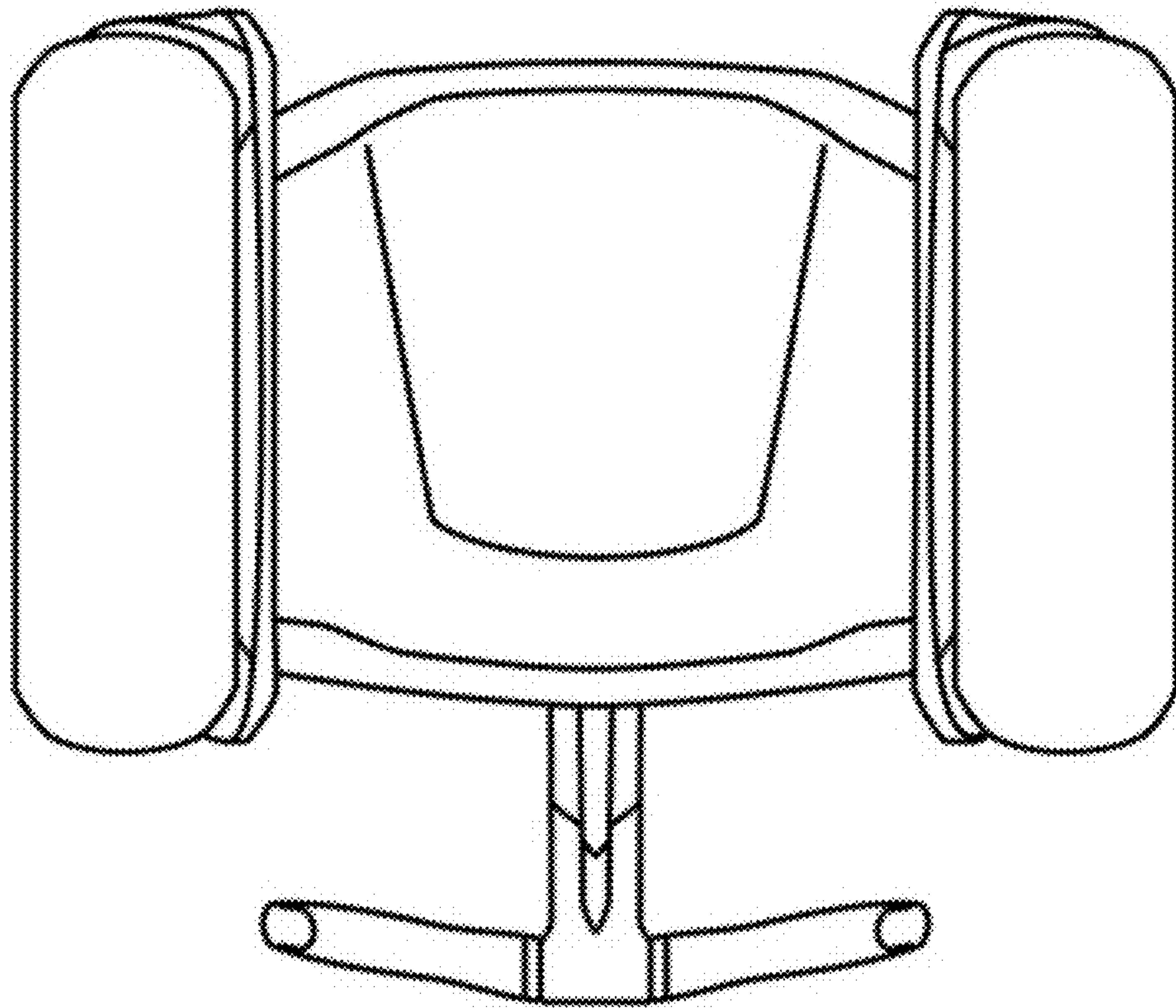
1.4

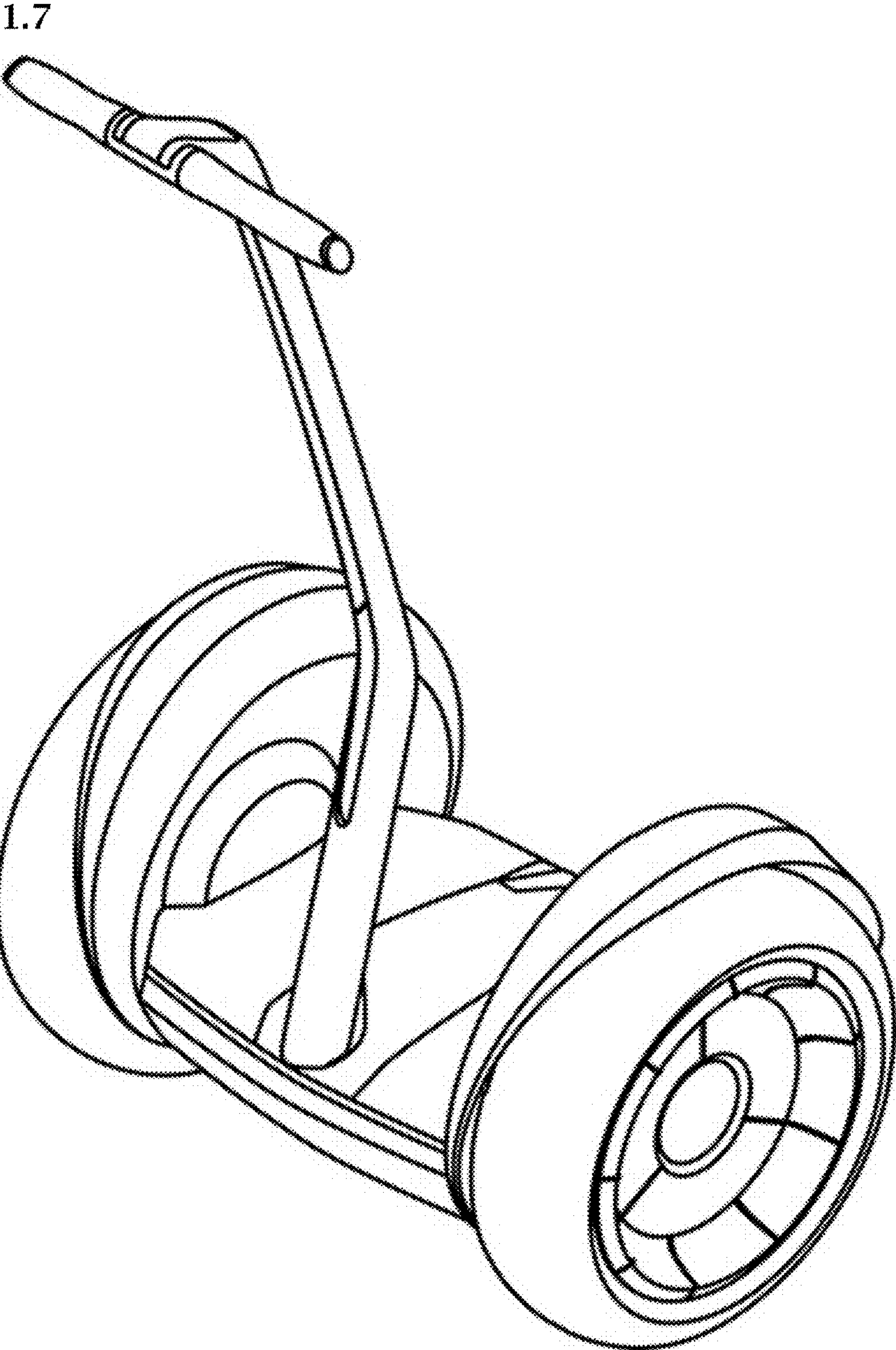


1.5

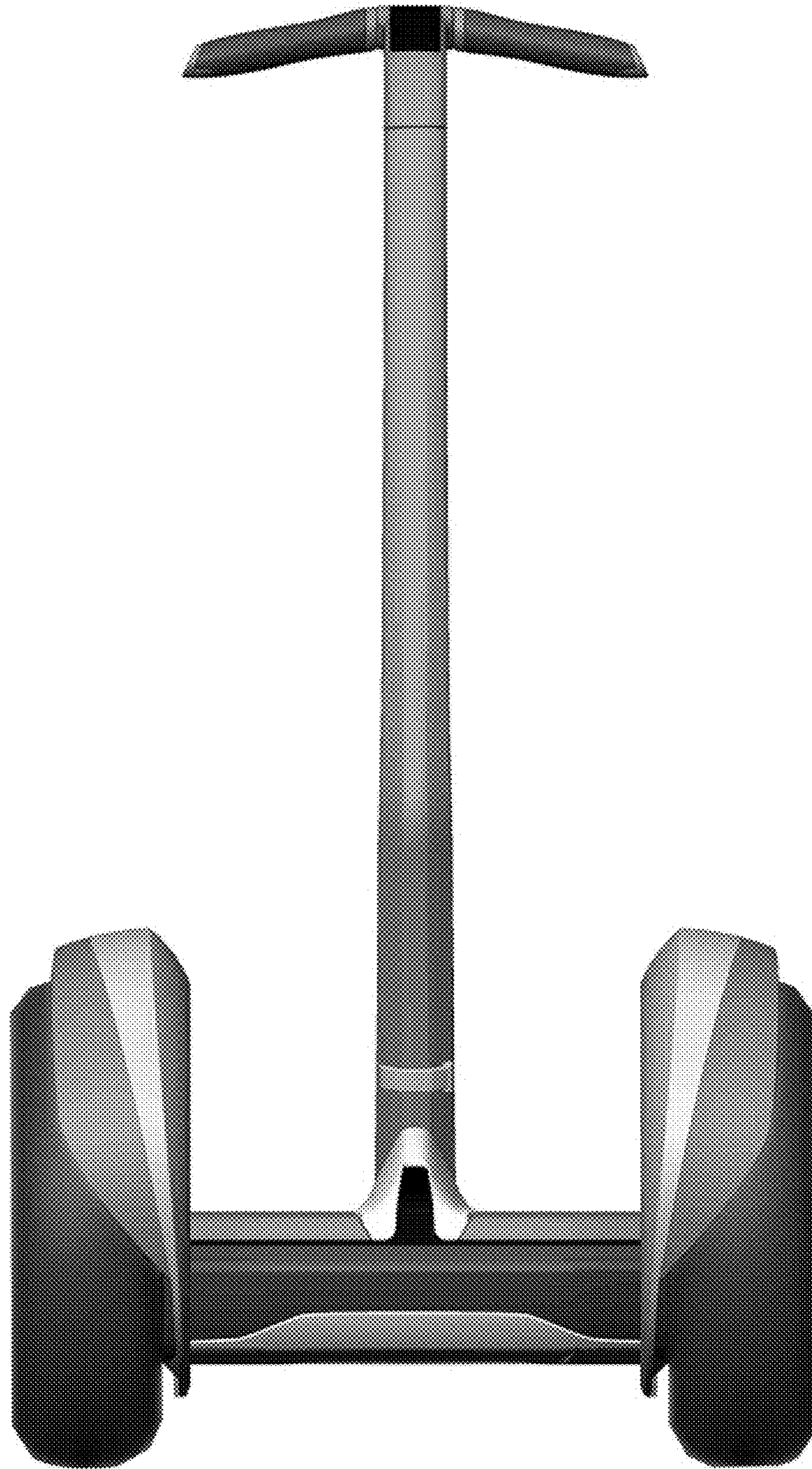


1.6

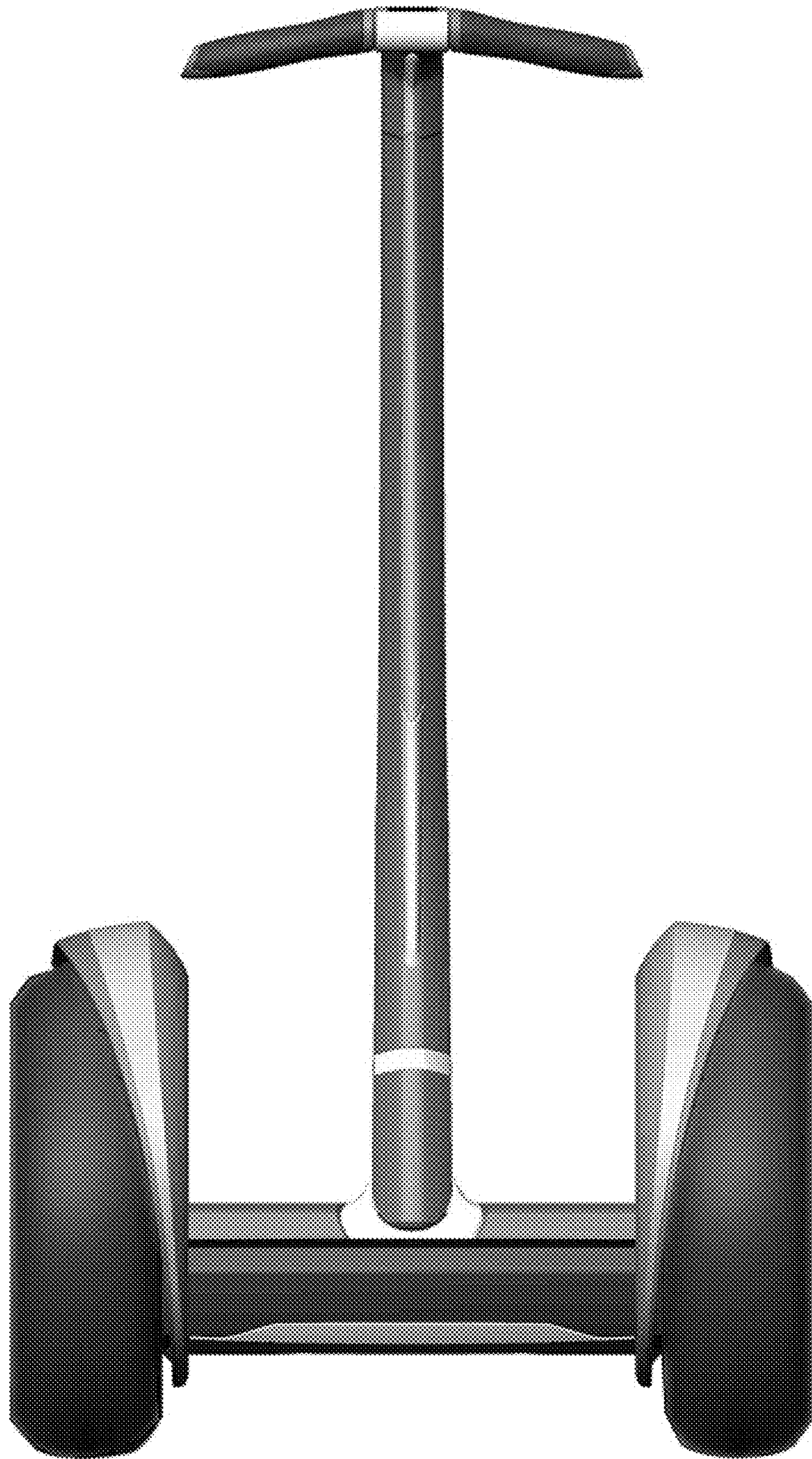




2.1



2.2



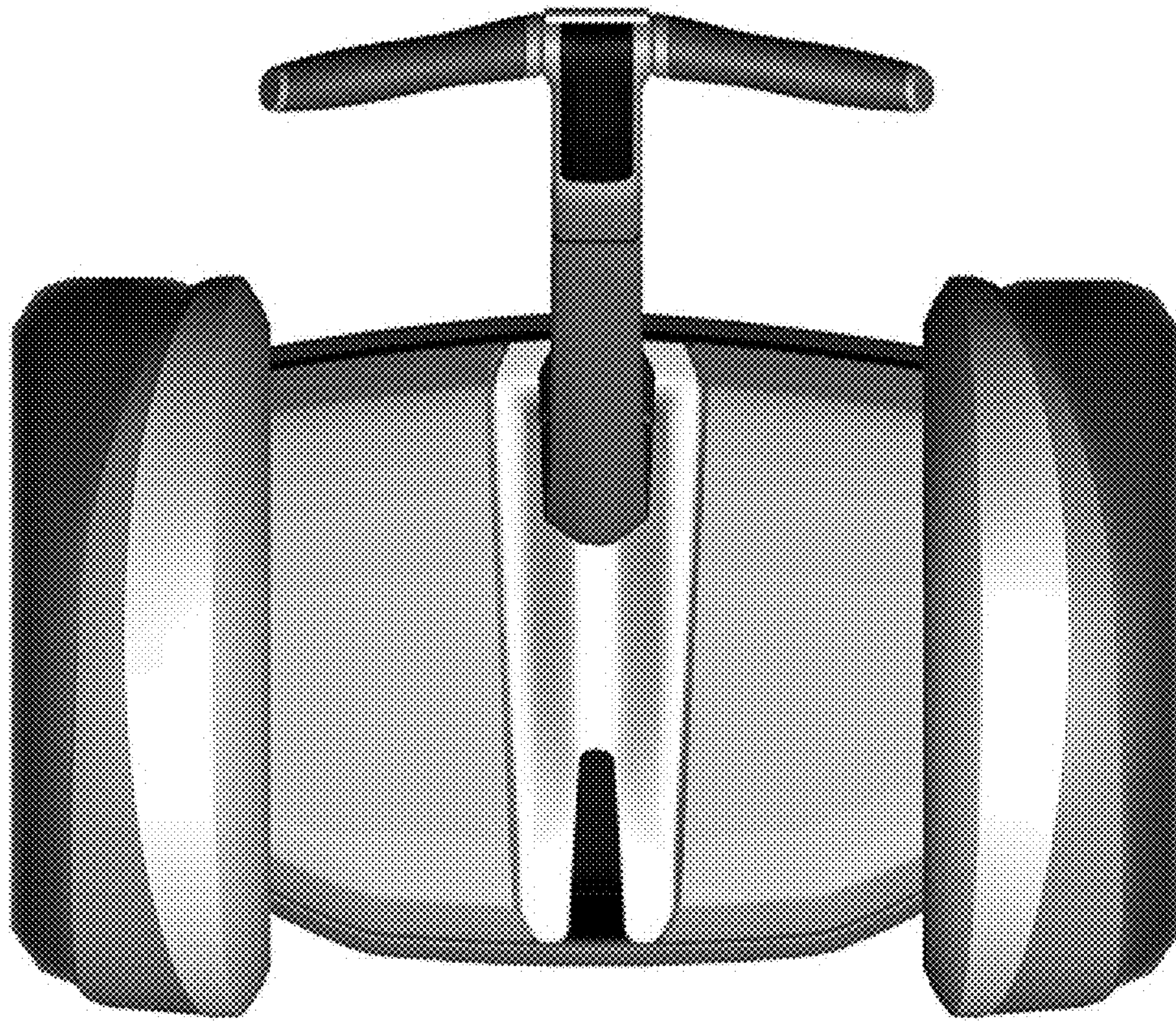
2.3



2.4



2.5



2.6



2.7

