



US00D834648S

(12) **United States Design Patent** (10) **Patent No.:** **US D834,648 S**
Costas (45) **Date of Patent:** **** Nov. 27, 2018**

(54) **DRY ERASE BOARD WITH NOTE HOLDER**

D589,560 S 3/2009 Beno et al.
D607,058 S * 12/2009 Kim D19/86
D617,565 S * 6/2010 Mischel, Jr. D6/300
D623,227 S * 9/2010 Hoch D19/113

(71) Applicant: **Trophius Pty Ltd.**, Cremorne (AU)

(72) Inventor: **Eric Costas**, Cremorne (AU)

(73) Assignee: **Trophius Pty Ltd.**, Cremorne (AU)

(**) Term: **15 Years**

(21) Appl. No.: **29/584,490**

(22) Filed: **Nov. 15, 2016**

(51) **LOC (11) Cl.** **19-06**

(52) **U.S. Cl.**
USPC **D19/113**

(58) **Field of Classification Search**
USPC D8/349, 394, 395; D19/113, 114, 75, 77,
D19/20, 21, 22, 1, 2, 100, 101, 102, 65,
D19/86, 88, 90, 91; D20/10, 19, 27, 39,
D20/41; D6/300; D14/448
CPC B43L 1/00; B43L 1/04; B43L 1/06; B43L
1/10; B43L 3/00; B43L 3/008; B43L
5/00; G06F 15/00; G06F 15/0006; G06F
15/0018; G06F 15/0056; G09F 15/00;
G09F 15/0018; F16B 5/121
See application file for complete search history.

(56) **References Cited**

U.S. PATENT DOCUMENTS

D251,124 S 2/1979 Takeuchi
D327,095 S 6/1992 Meyer
5,176,522 A * 1/1993 Robertson, Jr. B43L 1/00
434/408
D451,134 S 11/2001 Fonfeder
D487,289 S 3/2004 Richter
D496,068 S 9/2004 Mandel
D507,302 S 7/2005 Chen et al.
D507,812 S * 7/2005 Cesaroni D19/113
D521,068 S 5/2006 Newbould
7,040,051 B2 5/2006 Windorski
D586,396 S 2/2009 Kang
D589,089 S 3/2009 Loerakker et al.

FOREIGN PATENT DOCUMENTS

AU 346443 1/2013
AU 346543 1/2013

OTHER PUBLICATIONS

“Office Depot Brand 4-Piece Stainless Steel Magnet Hook Set, Assorted Shapes (No Shape Choice)”; Office Depot; disclosure date unknown but prior to date of filing the present application; URL: <<http://www.officedepot.com/a/products/352108/Office-Depot-Brand-4-Piece-Stainless/>>.

Primary Examiner — Derrick E Holland
Assistant Examiner — Andrew Kerr
(74) *Attorney, Agent, or Firm* — Banner & Witcoff, Ltd.

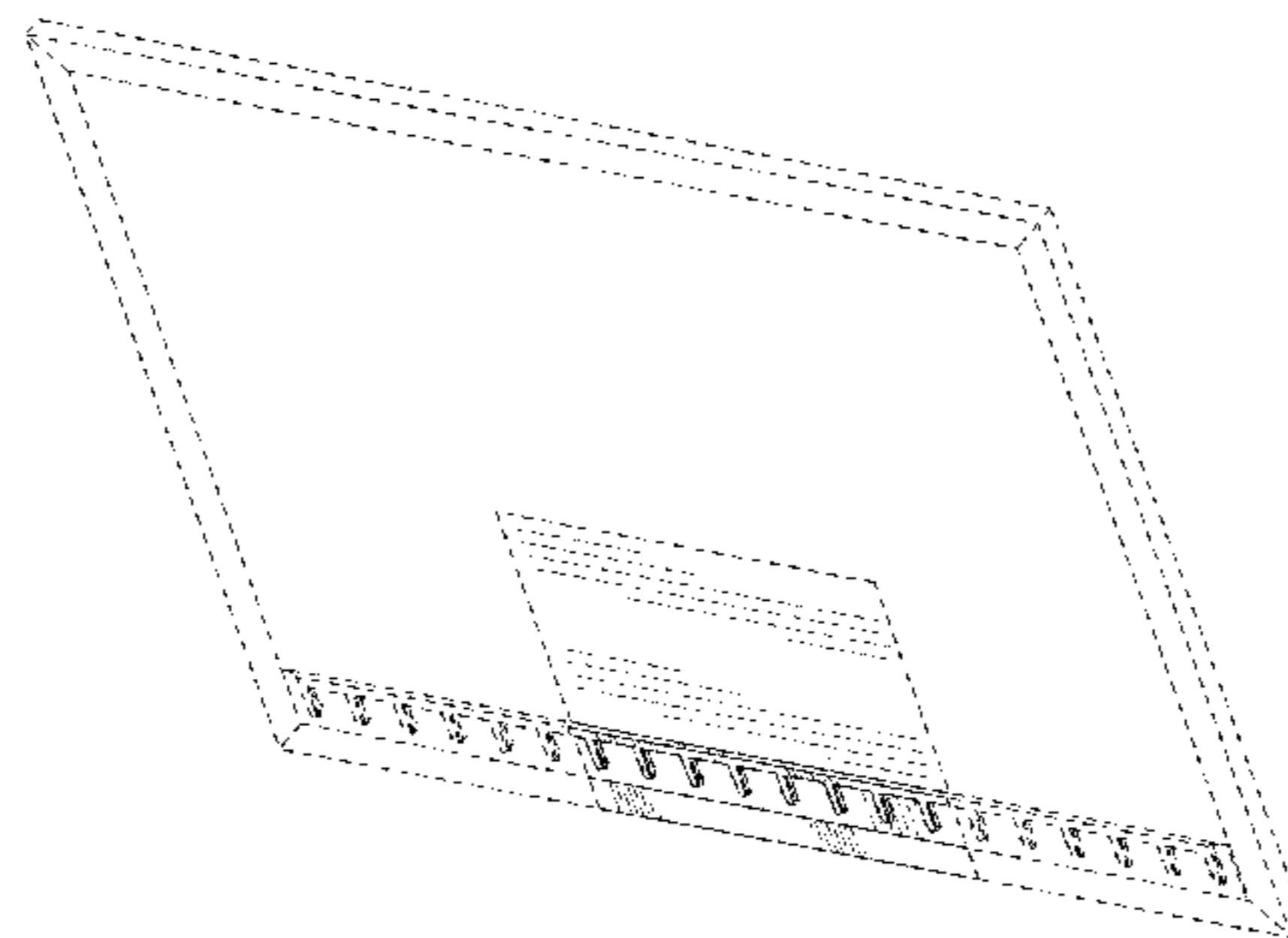
(57) **CLAIM**

The ornamental design for a dry erase board with note holder, as shown and described.

DESCRIPTION

FIG. 1 is a front perspective view of a dry erase board with note holder showing my new design; FIG. 2 is a front view thereof; FIG. 3 is a bottom view thereof; FIG. 4 is a top view thereof; FIG. 5 is a right side view thereof; and, FIG. 6 is a left side view thereof. The broken lines immediately adjacent to the shaded areas of the dry erase board with note holder define the bounds of the claimed design and form no part thereof. The broken lines depicting the remainder of the dry erase board with note holder show features that form no part of the claimed design.

1 Claim, 4 Drawing Sheets



(56)

References Cited

U.S. PATENT DOCUMENTS

| | | | | | |
|--------------|------|---------|---------------|-------|-----------|
| D623,693 | S * | 9/2010 | Hoch | | D19/113 |
| 7,874,842 | B2 | 1/2011 | Beno | | |
| D645,515 | S | 9/2011 | Williams, Sr. | | |
| D667,413 | S * | 9/2012 | Song | | D14/448 |
| D669,532 | S | 10/2012 | Killian | | |
| D715,859 | S | 10/2014 | Costas | | |
| D715,860 | S | 10/2014 | Costas | | |
| D715,861 | S | 10/2014 | Costas | | |
| D716,377 | S | 10/2014 | Costas | | |
| D719,217 | S | 12/2014 | Costas | | |
| D719,218 | S | 12/2014 | Costas | | |
| 9,090,116 | B2 * | 7/2015 | Tunis | | F41H 5/08 |
| D752,145 | S | 3/2016 | Killian | | |
| D753,222 | S | 4/2016 | Costas | | |
| D755,892 | S | 5/2016 | Costas | | |
| D776,759 | S | 1/2017 | Costas | | |
| D778,356 | S | 2/2017 | Costas | | |
| D794,121 | S | 8/2017 | Costas | | |
| D794,122 | S | 8/2017 | Costas | | |
| D794,123 | S | 8/2017 | Costas | | |
| D794,124 | S | 8/2017 | Costas | | |
| D794,125 | S | 8/2017 | Costas | | |
| D809,599 | S * | 2/2018 | Costas | | D19/113 |
| D811,478 | S * | 2/2018 | Costas | | D19/86 |
| D818,357 | S * | 5/2018 | Cummings | | D8/394 |
| 2013/0200228 | A1 | 8/2013 | Costas | | |

* cited by examiner

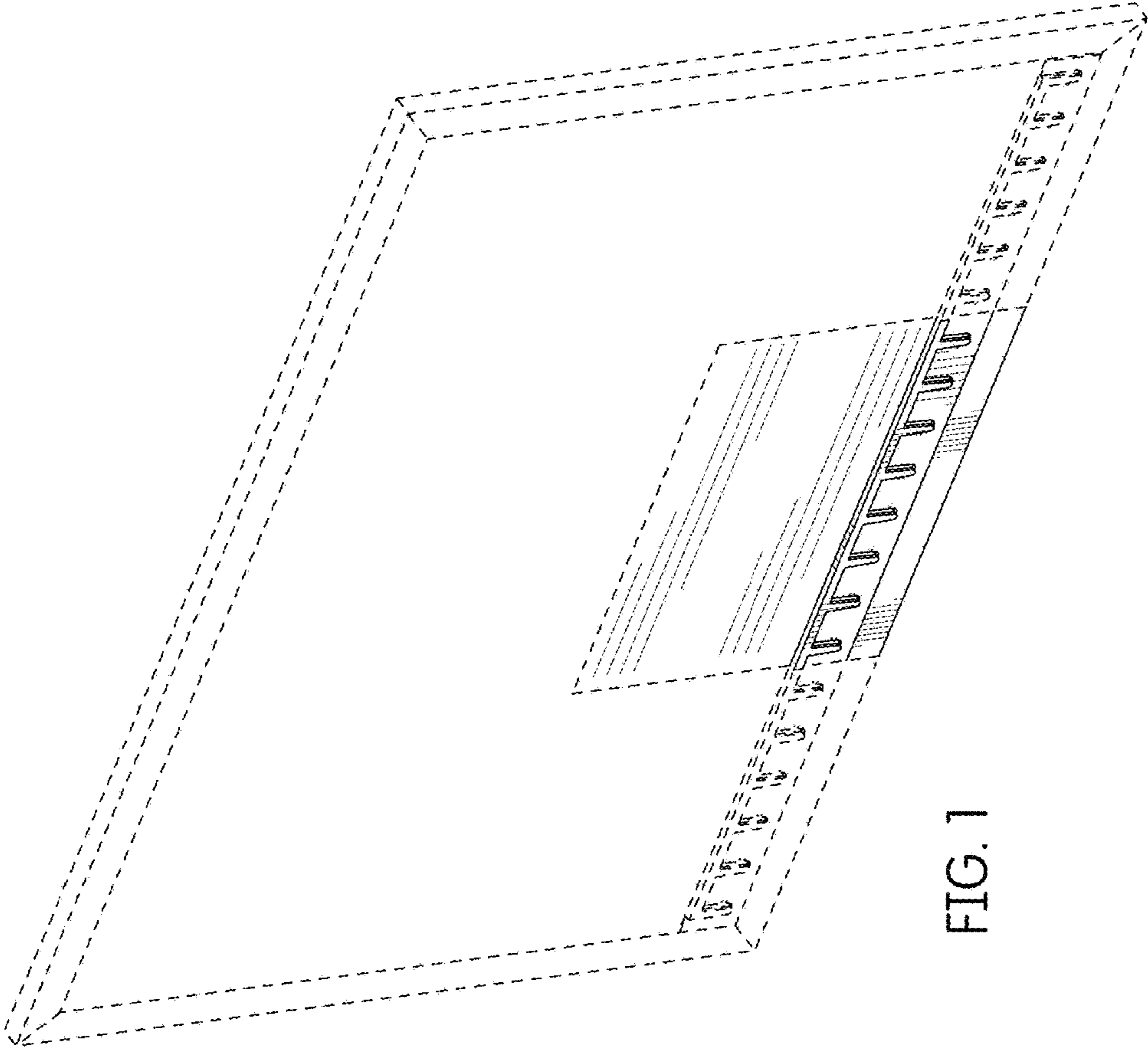


FIG. 1

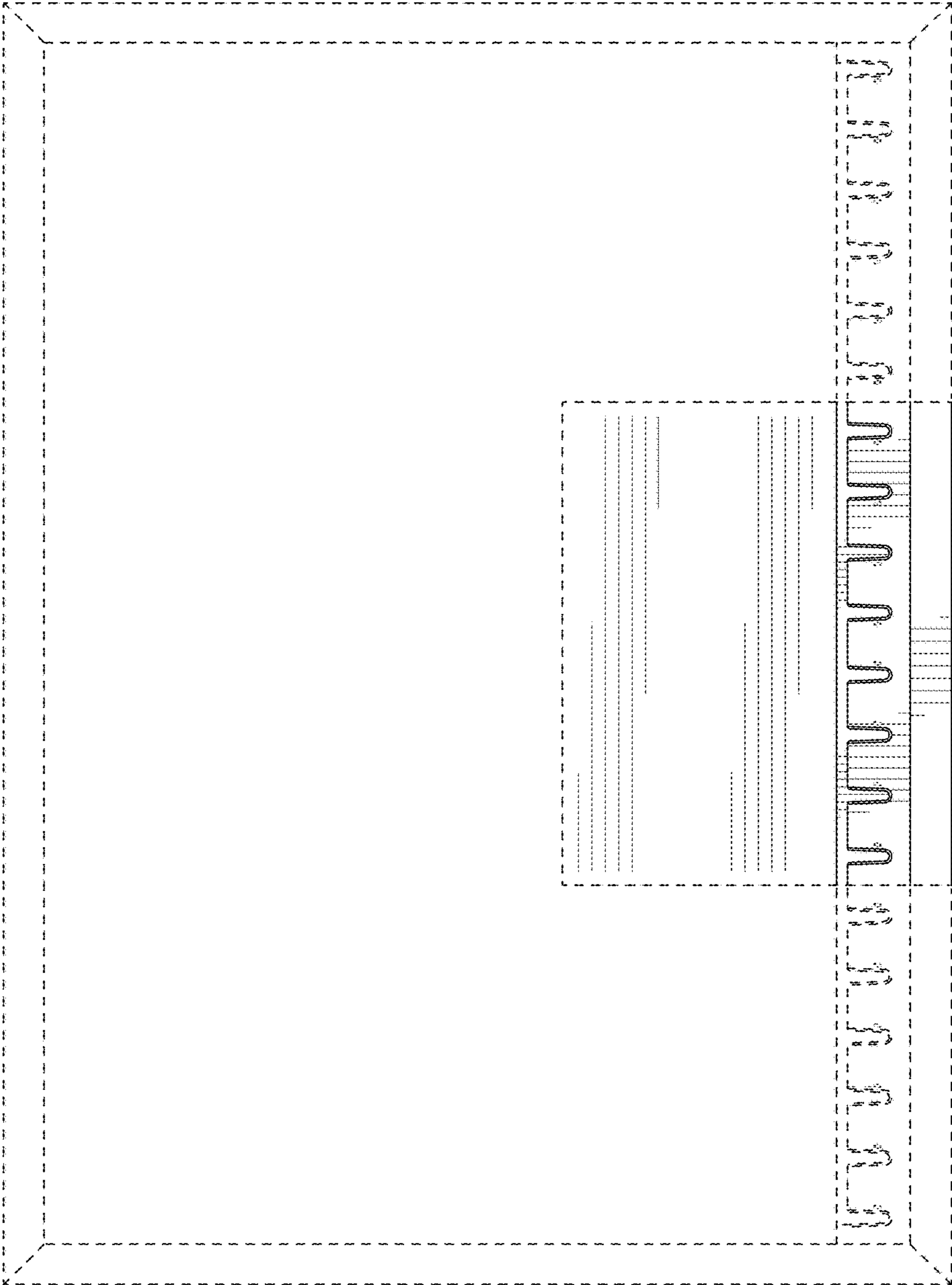


FIG. 2

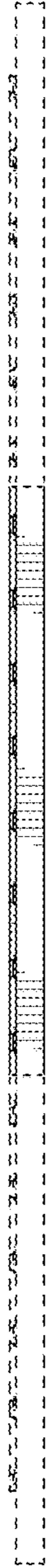


FIG. 3

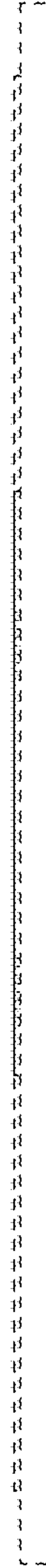


FIG. 4

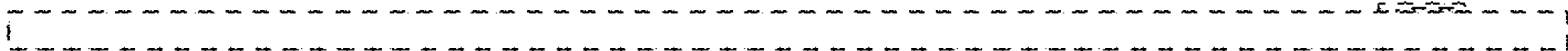


FIG. 6



FIG. 5