



US00D834646S

(12) **United States Design Patent** (10) **Patent No.:** **US D834,646 S**
Feng (45) **Date of Patent:** **** Nov. 27, 2018**

(54) **PEN STAND**
(71) Applicant: **Shin Feng**, Rowland Heights, CA (US)
(72) Inventor: **Shin Feng**, Rowland Heights, CA (US)
(73) Assignee: **Shin Feng**, Rowland Heights, CA (US)
(**) Term: **15 Years**
(21) Appl. No.: **29/605,101**
(22) Filed: **May 23, 2017**
(51) **LOC (11) Cl.** **19-06**
(52) **U.S. Cl.**
USPC **D19/84**
(58) **Field of Classification Search**
USPC D19/32, 75, 77-85, 135; D3/315, 901,
D3/206; D6/677.3; D7/590, 641;
D9/415, 457, 722; D28/73; D20/28, 40,
D20/42
CPC .. B43K 23/001; B43K 23/002; B43K 23/004;
B43K 23/008; B43K 23/012; B43K
23/016; B43K 23/04; B43M 99/006;
B43M 99/008
See application file for complete search history.

4,532,722 A * 8/1985 Sax D06F 58/203
206/0.5
4,606,950 A * 8/1986 Corbet A01G 5/04
156/63
D287,988 S * 1/1987 Billingham D21/468
4,958,461 A * 9/1990 Aldrich A47G 7/02
47/41.01
5,355,541 A * 10/1994 Rutter D06F 39/024
206/0.5
D390,499 S * 2/1998 Durham D11/143
5,768,917 A * 6/1998 Freida D06F 39/024
206/0.5
D458,639 S * 6/2002 Anderson D19/82
D460,168 S * 7/2002 Chen D23/364
D498,636 S * 11/2004 Kuo D6/601
D536,081 S * 1/2007 Steinel D23/366
D542,705 S * 5/2007 Peterson D11/147
D548,880 S * 8/2007 Leeds D19/84
D559,464 S * 1/2008 Singh D28/73
D566,189 S * 4/2008 Ivey D19/75
D579,163 S * 10/2008 Schablinger D32/29.1

(Continued)

Primary Examiner — Elizabeth A. Albert

(57) **CLAIM**

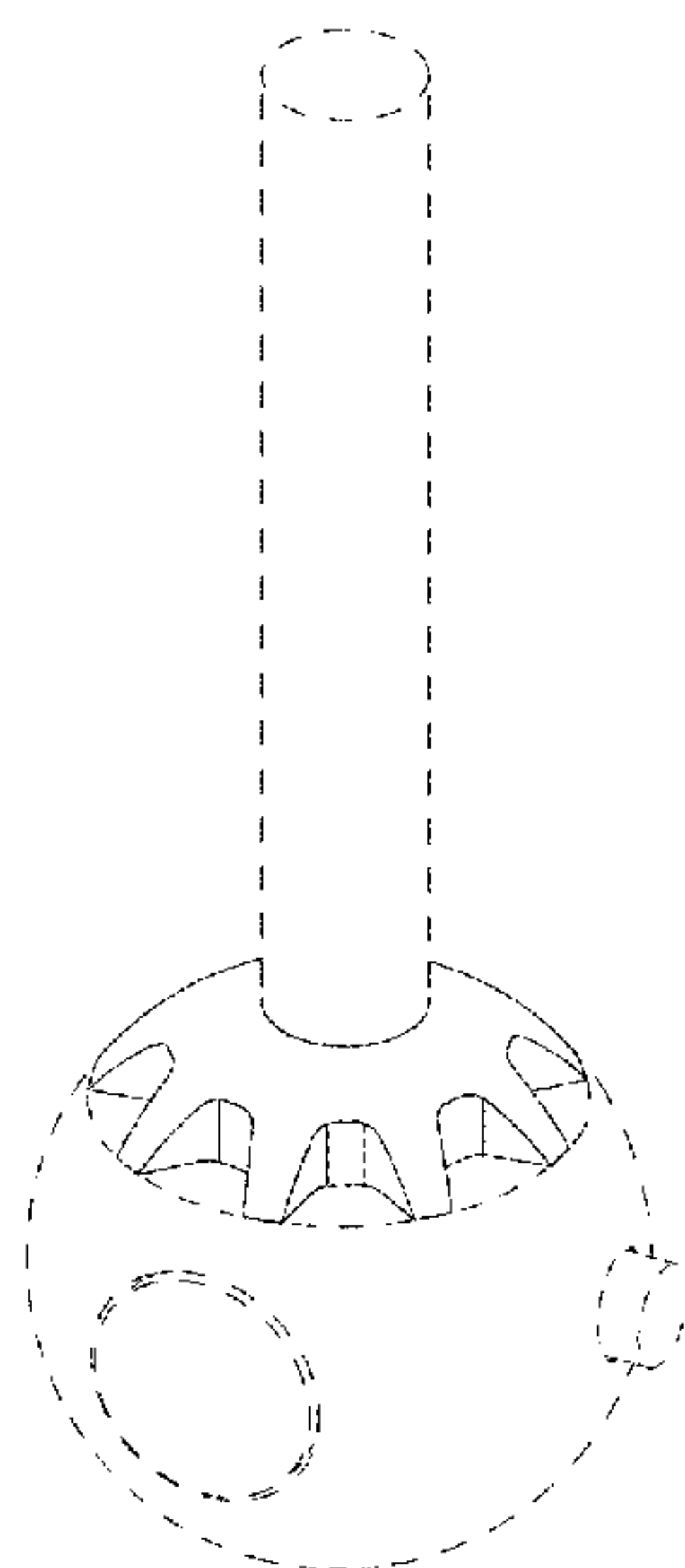
The ornamental design for a pen stand, as shown and described.

DESCRIPTION

FIG. 1 is a perspective view of a pen stand showing my new design;
FIG. 2 is a front view thereof;
FIG. 3 is a left side view thereof;
FIG. 4 is a right side view thereof;
FIG. 5 is a rear view thereof;
FIG. 6 is a top view thereof; and,
FIG. 7 is another perspective view thereof.
The broken lines in the drawings is included for the purpose of showing portions of the pen stand that form no part of the claimed design.

1 Claim, 2 Drawing Sheets

(56) **References Cited**
U.S. PATENT DOCUMENTS
D22,831 S * 10/1893 Dufault D28/73
D48,166 S * 11/1915 Bennett 131/256
1,474,753 A * 11/1923 Zrebiec A01G 9/028
211/74
D64,970 S * 6/1924 Gooch D11/147
3,158,524 A * 11/1964 Tong A41G 1/00
206/423
D200,965 S * 4/1965 Erbguth D11/147
D218,341 S * 8/1970 Giannotti D11/147
D226,335 S * 2/1973 Levy D19/77
D244,013 S * 4/1977 Perkins 428/11
D251,764 S * 5/1979 Stahel D11/147



(56)

References Cited

U.S. PATENT DOCUMENTS

D728,694 S * 5/2015 Nelson D11/147
D810,198 S * 2/2018 Azar D19/90

* cited by examiner

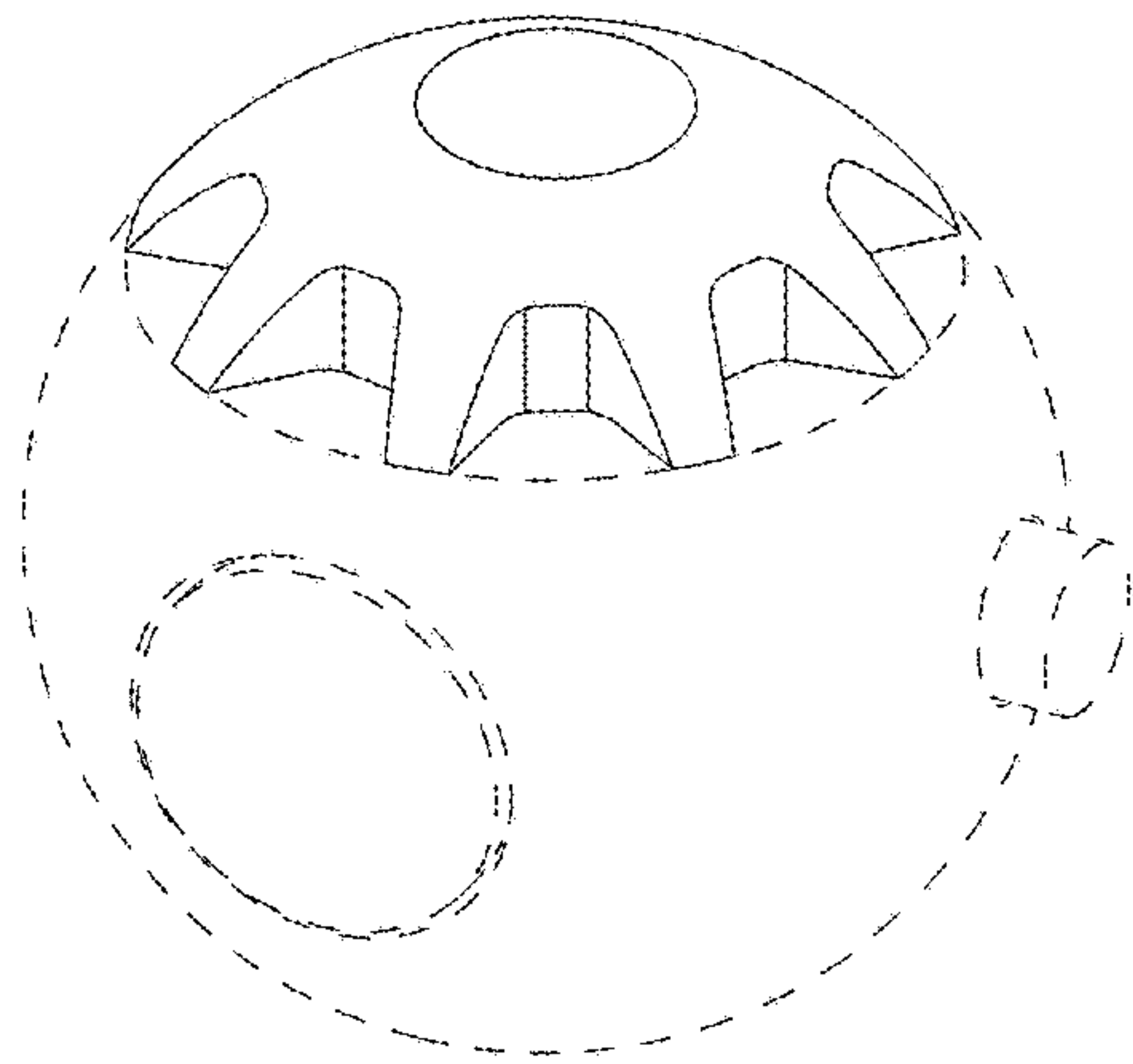


FIG. 1

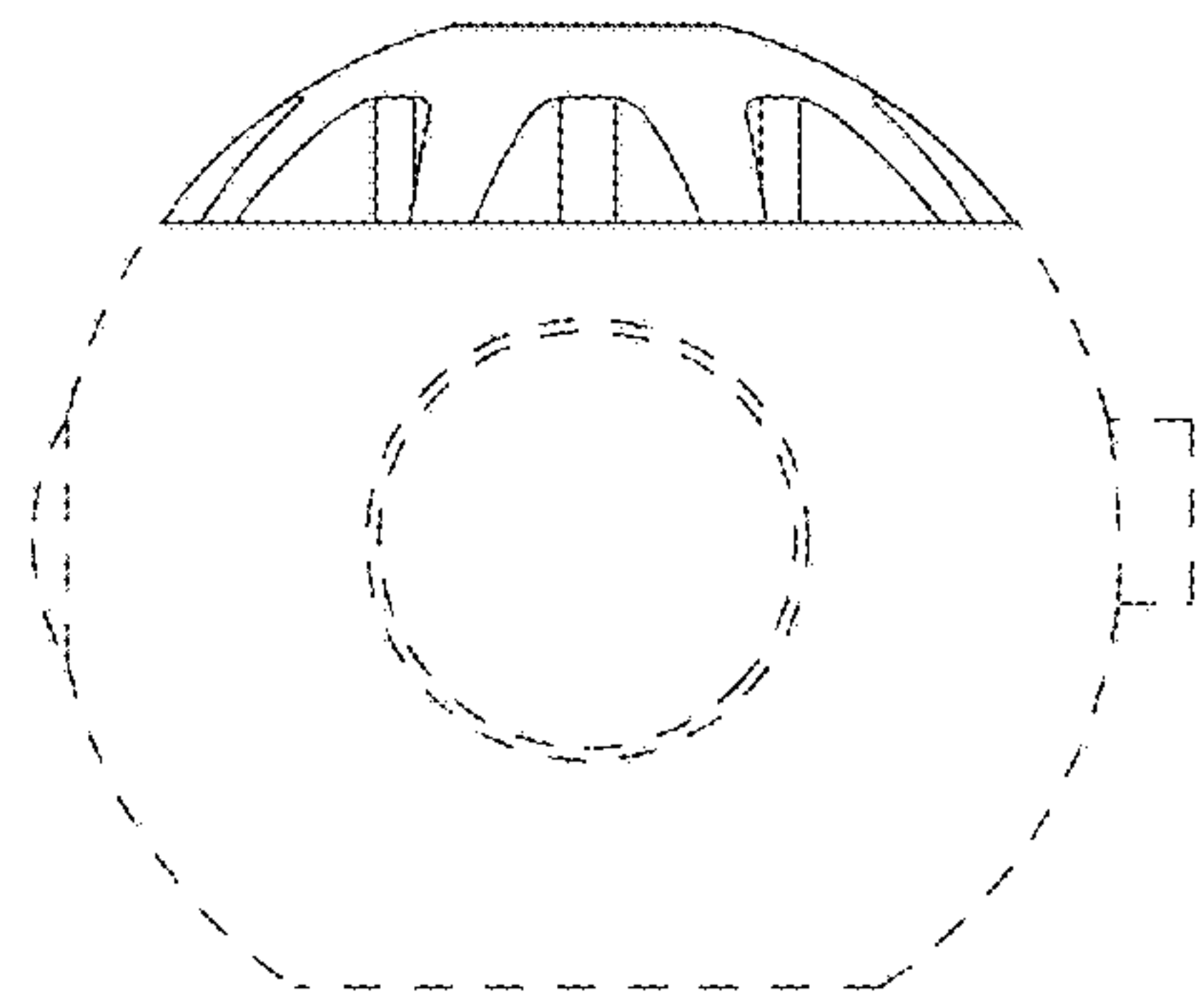


FIG. 2

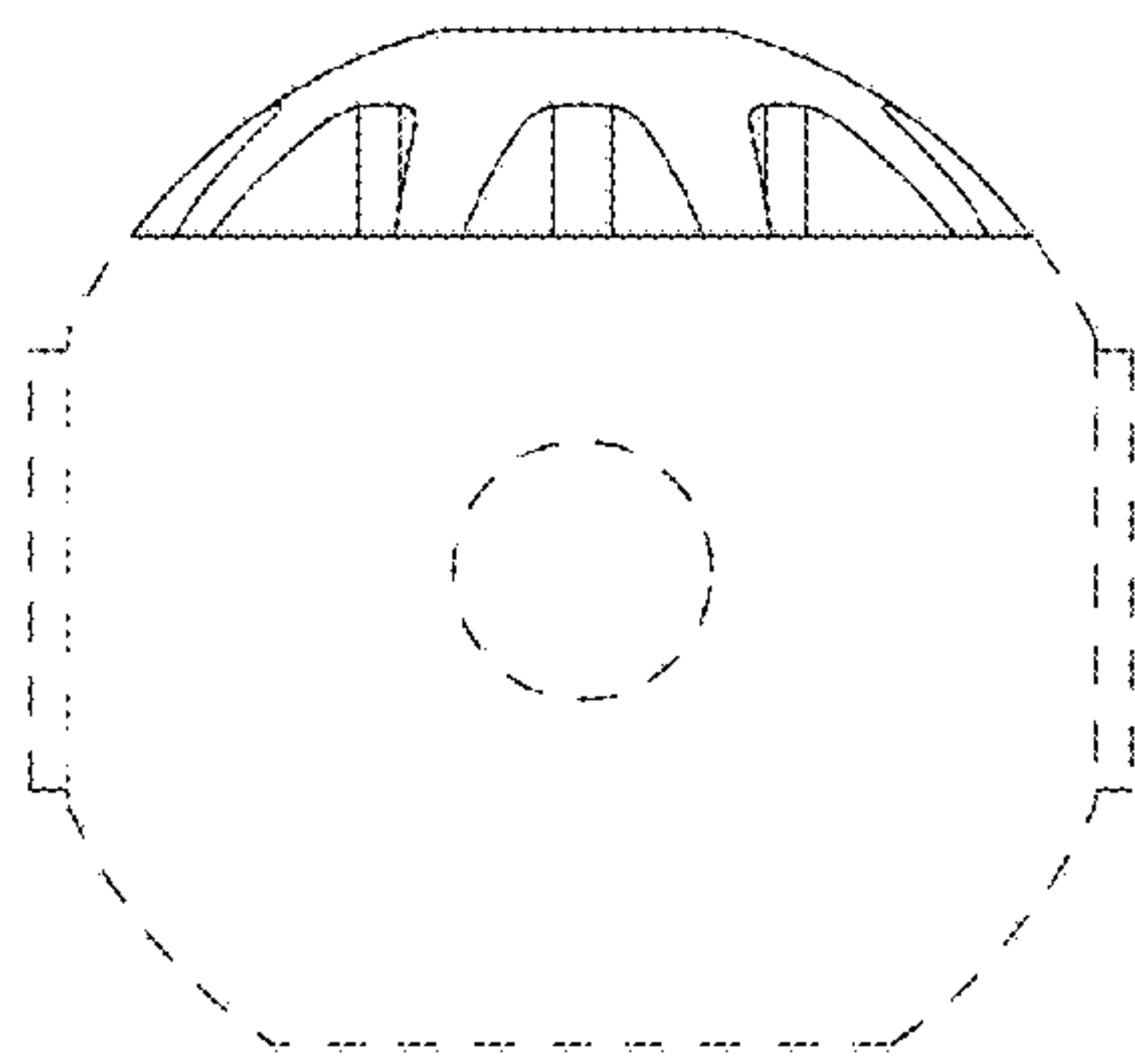


FIG. 3

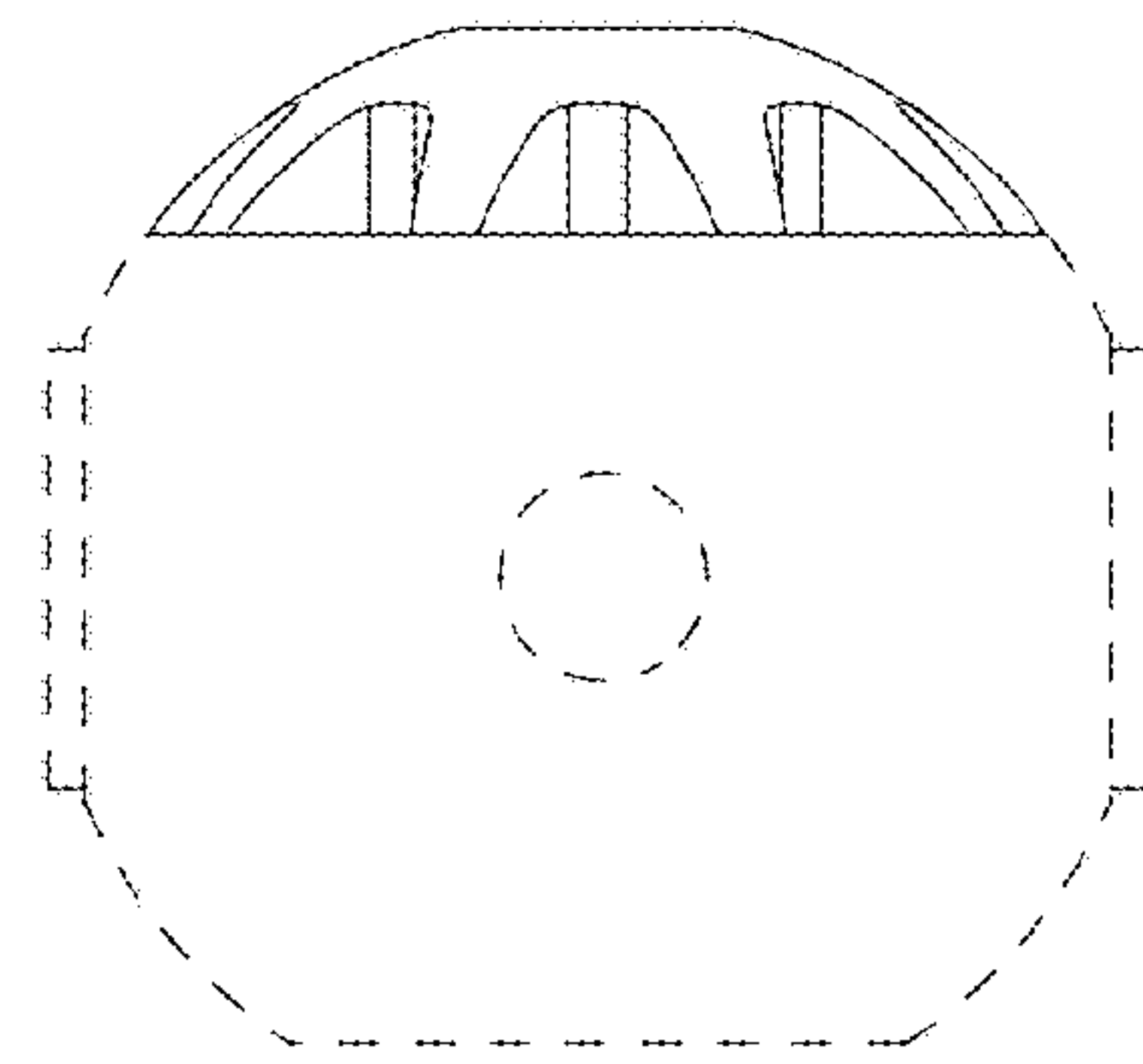


FIG. 4

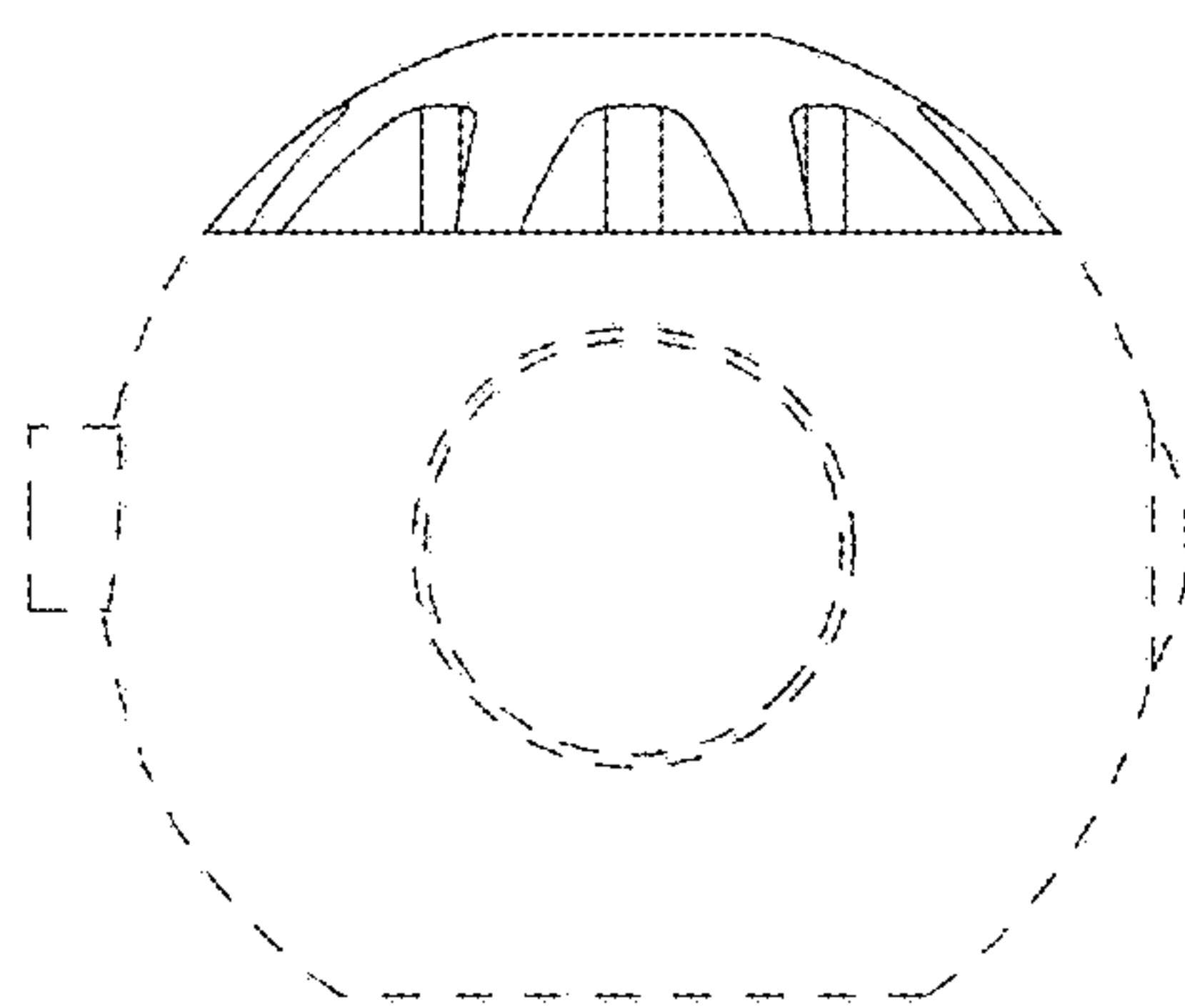


FIG. 5

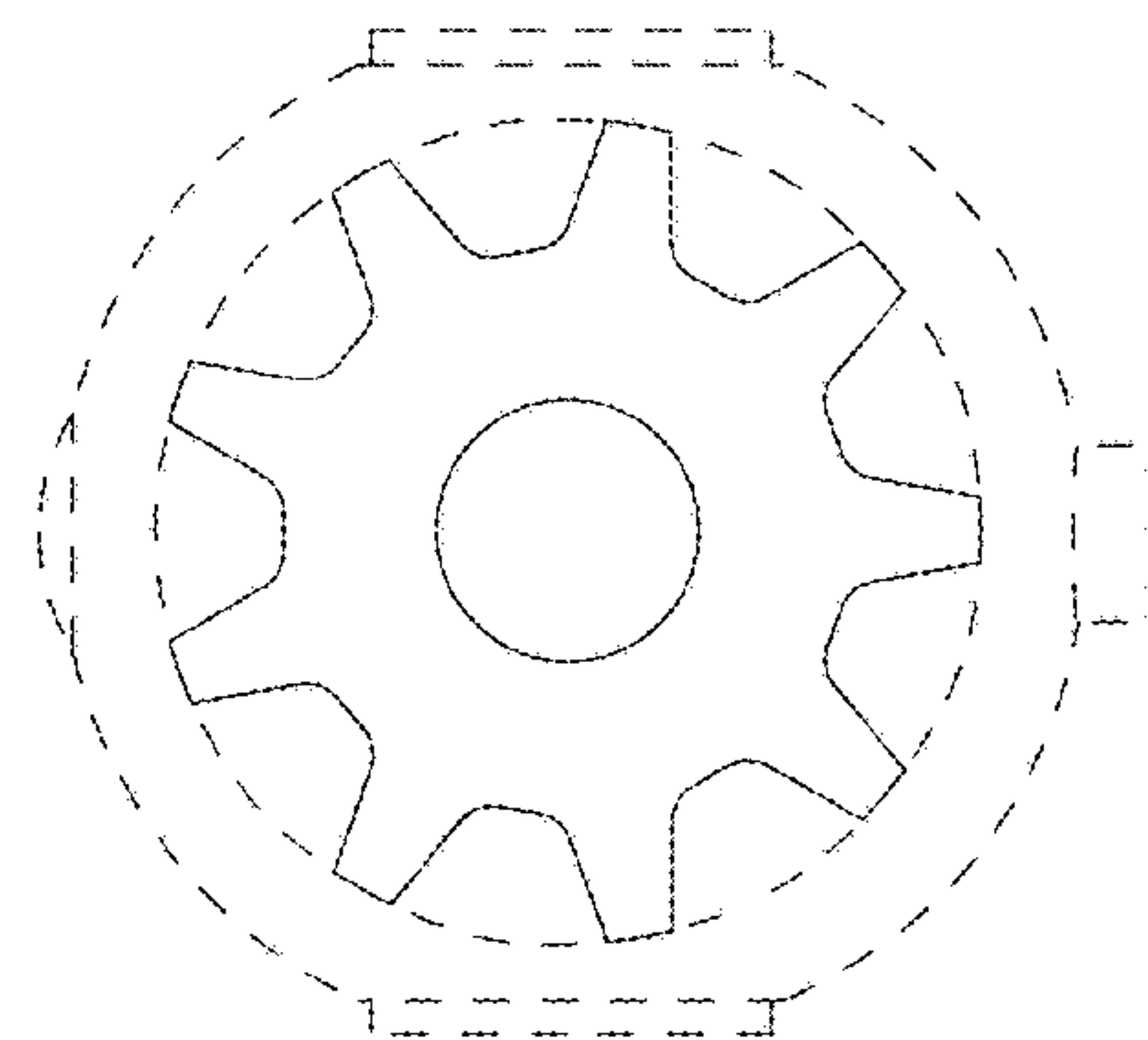


FIG. 6

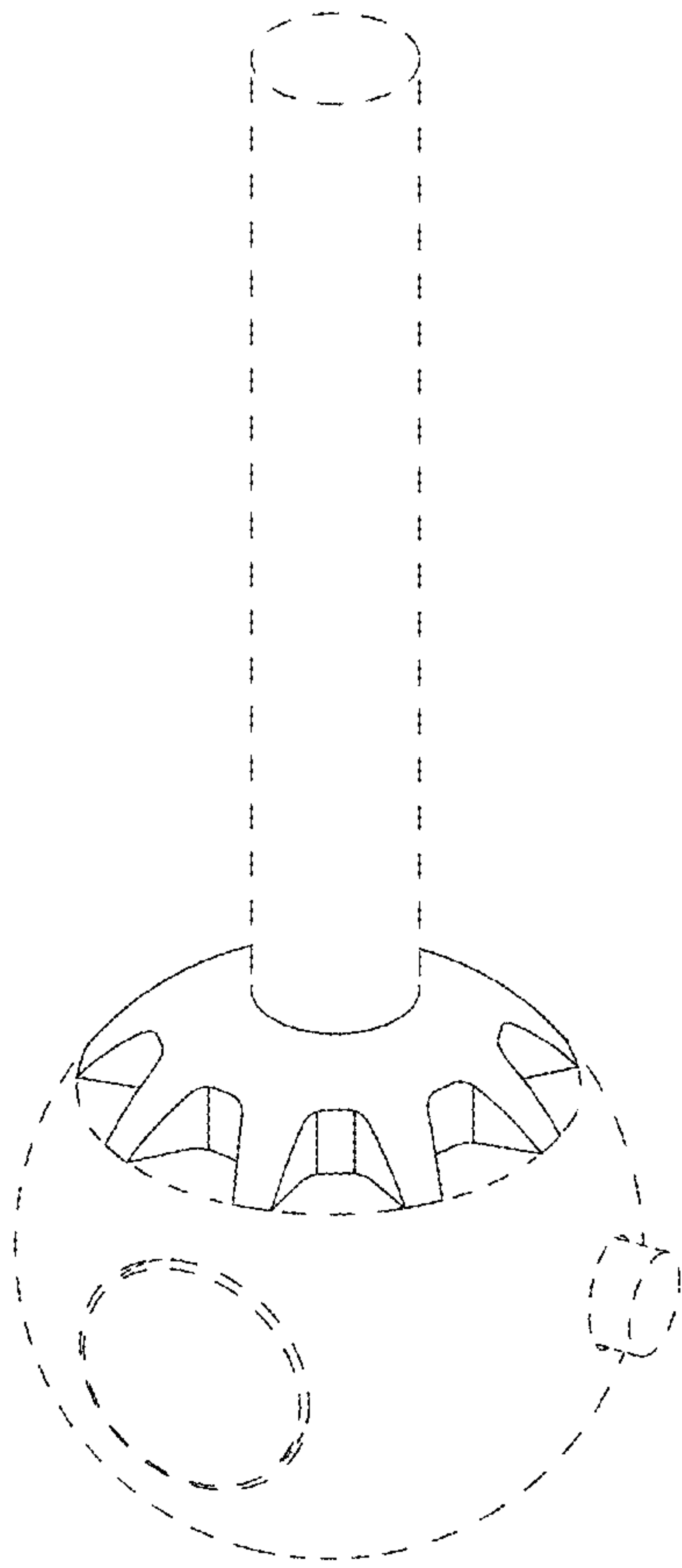


FIG.7