



US00D834643S

(12) **United States Design Patent**  
**Higgins et al.**

(10) **Patent No.:** **US D834,643 S**  
(45) **Date of Patent:** **\*\* Nov. 27, 2018**

(54) **BASEBALL JERSEY GREETING CARD**

**DESCRIPTION**

- (71) Applicant: **American Greetings Corporation**,  
Cleveland, OH (US)
- (72) Inventors: **Sean Higgins**, Lakewood, OH (US);  
**Sarah Eklund**, Cleveland, OH (US)
- (73) Assignee: **American Greetings Corporation**,  
Cleveland, OH (US)
- (\*\*) Term: **15 Years**
- (21) Appl. No.: **29/629,110**
- (22) Filed: **Dec. 11, 2017**
- (51) **LOC (11) Cl.** ..... **19-01**
- (52) **U.S. Cl.**  
USPC ..... **D19/4**
- (58) **Field of Classification Search**  
USPC ..... D19/1-8, 82, 100; 40/124.01-124.15,  
40/582, 540, 443, 442, 902, 672, 617,  
40/599, 331, 359, 360, 625, 717, 455,  
40/124.191; 446/147; 362/806, 808;  
428/42.1, 203-204, 913.3; 283/2-4,  
283/74-75, 91, 103, 105-106; D20/10,  
(Continued)

FIG. 1 is a front perspective view of the baseball jersey greeting card of the present invention, in a closed position. FIG. 2 is a front view of the baseball jersey greeting card of FIG. 1. FIG. 3 is a rear view of the baseball jersey greeting card of FIG. 1. FIG. 4 is a right side view of the baseball jersey greeting card of FIG. 1. FIG. 5 is a left side view of the baseball jersey greeting card of FIG. 1. FIG. 6 is a top down view of the baseball jersey greeting card of FIG. 1. FIG. 7 is a bottom up view of the baseball jersey greeting card of FIG. 1. FIG. 8 is a front perspective view of the baseball jersey greeting card of FIG. 1, in a partially open position. FIG. 9 is a front perspective view of the baseball jersey greeting card of the present invention, in a closed position. FIG. 10 is a front view of the baseball jersey greeting card of FIG. 9. FIG. 11 is a rear view of the baseball jersey greeting card of FIG. 9. FIG. 12 is a right side view of the baseball jersey greeting card of FIG. 9. FIG. 13 is a left side view of the baseball jersey greeting card of FIG. 9. FIG. 14 is a top down view of the baseball jersey greeting card of FIG. 9. FIG. 15 is a bottom up view of the baseball jersey greeting card of FIG. 9; and, FIG. 16 is a front perspective view of the baseball jersey greeting card of FIG. 9, in a partially open position. The stippling shown in FIGS. 9 through 16 are provided to represent a contrast in color and are not intended to represent any particular color. The broken lines showing portions of the baseball jersey greeting card are included for the purpose of illustrating environmental structure and forms no part of the claimed design.

(56) **References Cited**

**U.S. PATENT DOCUMENTS**

- D664,194 S 7/2012 Kemelhar et al.
- D816,302 S \* 5/2018 Canady ..... D2/851
- D827,025 S \* 8/2018 Dennis ..... D19/6

\* cited by examiner

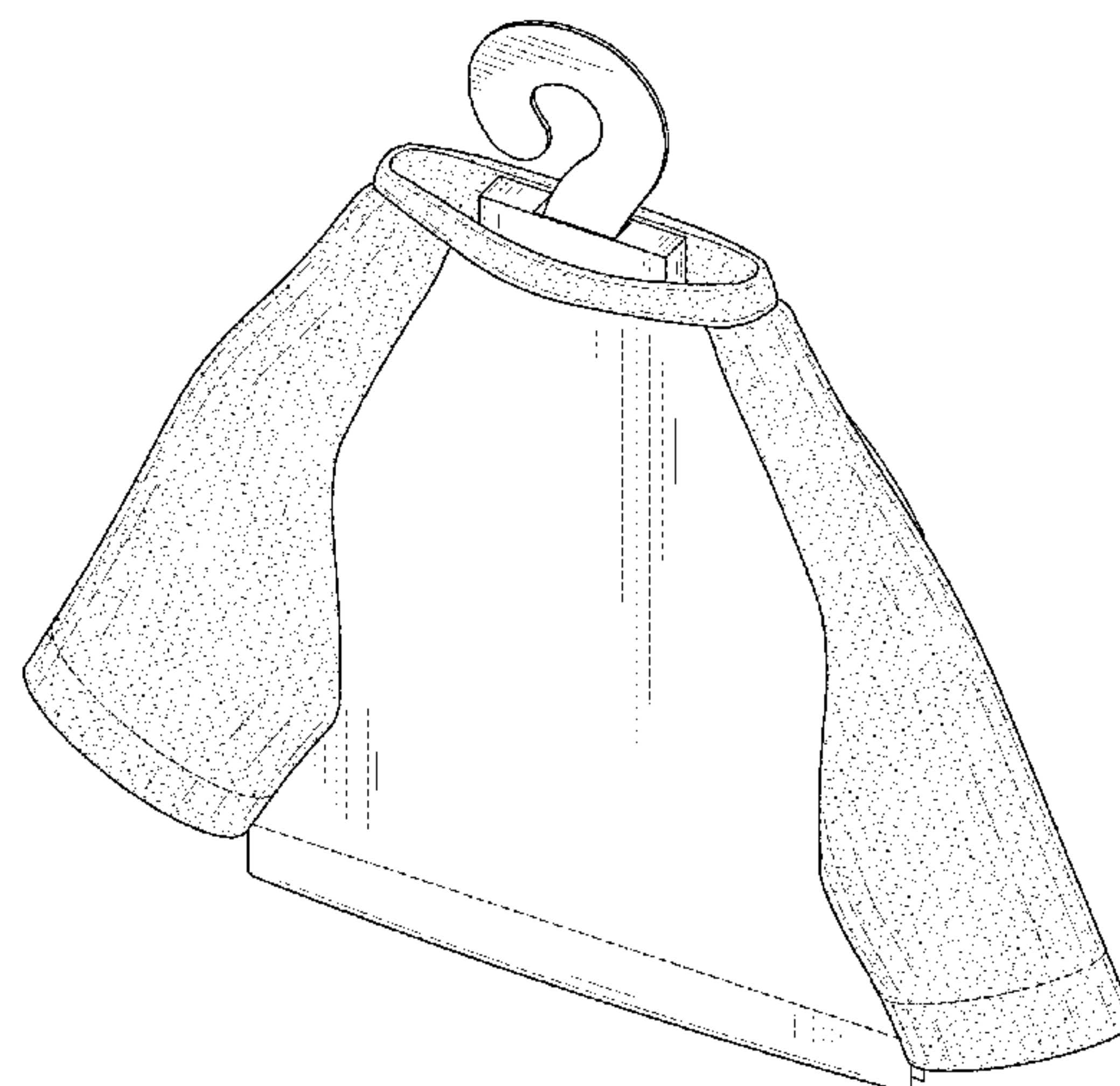
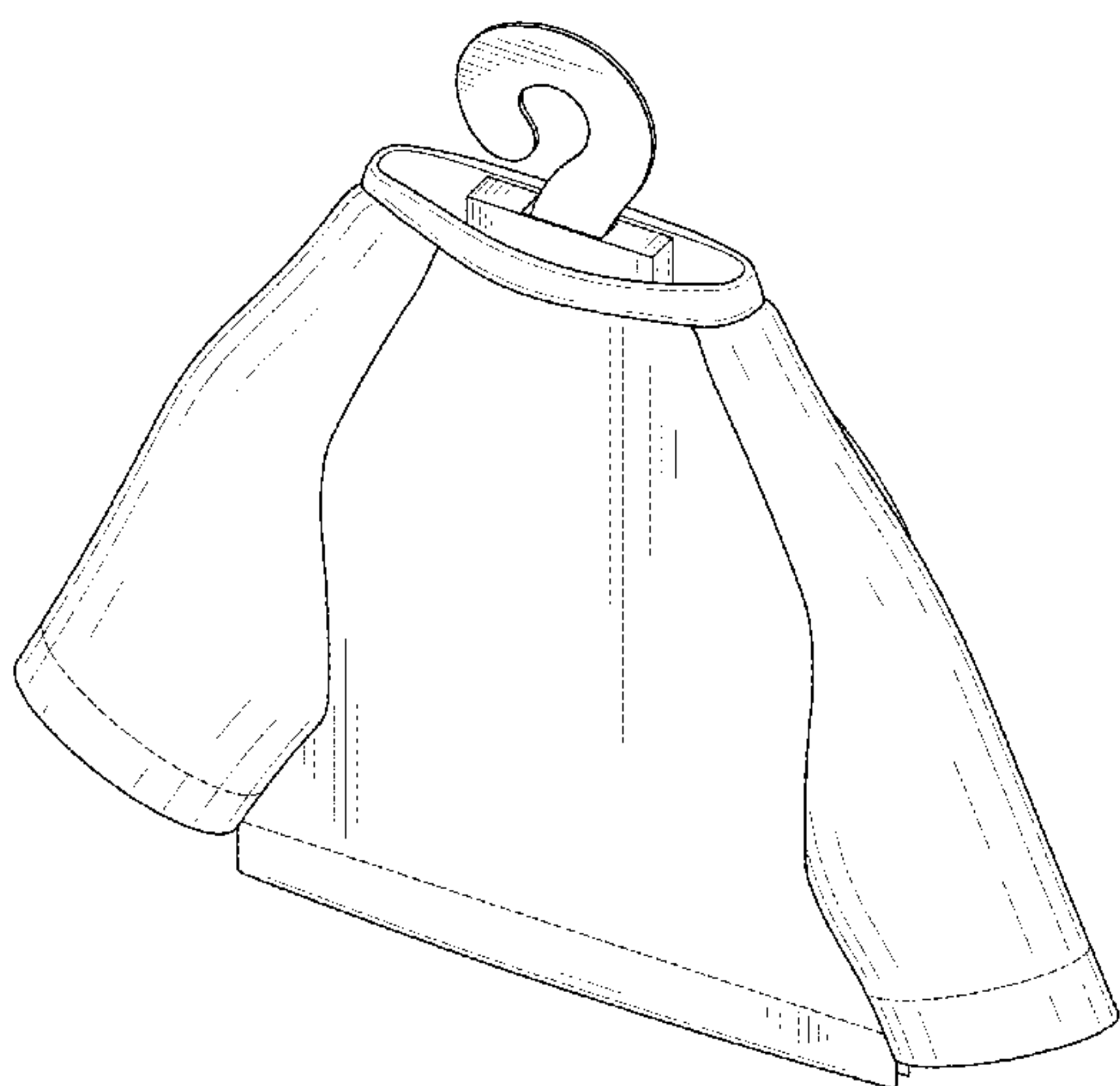
*Primary Examiner* — Abraham Bahta

(74) *Attorney, Agent, or Firm* — Christine Flanagan

(57) **CLAIM**

The ornamental design for a baseball jersey greeting card, as shown and described.

**1 Claim, 12 Drawing Sheets**



(58) **Field of Classification Search**

USPC ..... D20/22, 42, 27, 40; 229/92, 92.1, 92.8,  
229/116.1, 116.3, 116.5; D11/131, 117;  
D21/660, 606-608; D7/389, 213, 558,  
D7/559; D2/851

CPC ..... B42D 25/00; B42D 25/20; B42D 25/23;  
B42D 25/26; B42D 25/29; B42D 25/30;  
B42D 25/285; B42D 15/022; B42D  
15/027; B42D 15/045; B42D 15/042;  
B42D 2033/00; B42D 2033/02; B42D  
2033/04; B42D 2033/08; B42D 2033/10;  
B42D 2033/16; B42D 2033/18; B42D  
2033/20; B42D 2033/22; B42D 2033/28;  
B42D 2033/30; A41F 9/002; A41F 9/025

See application file for complete search history.

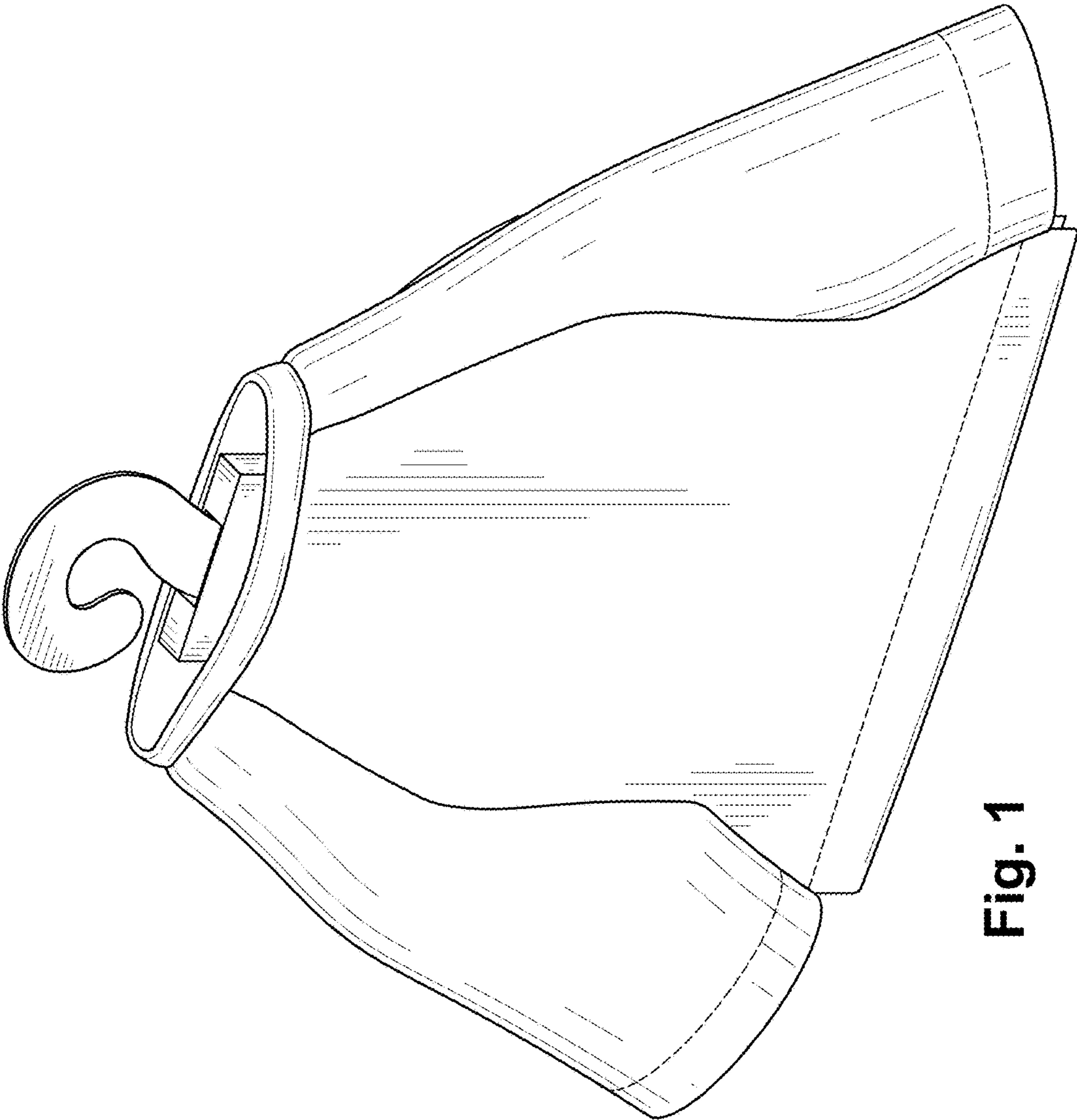


Fig. 1

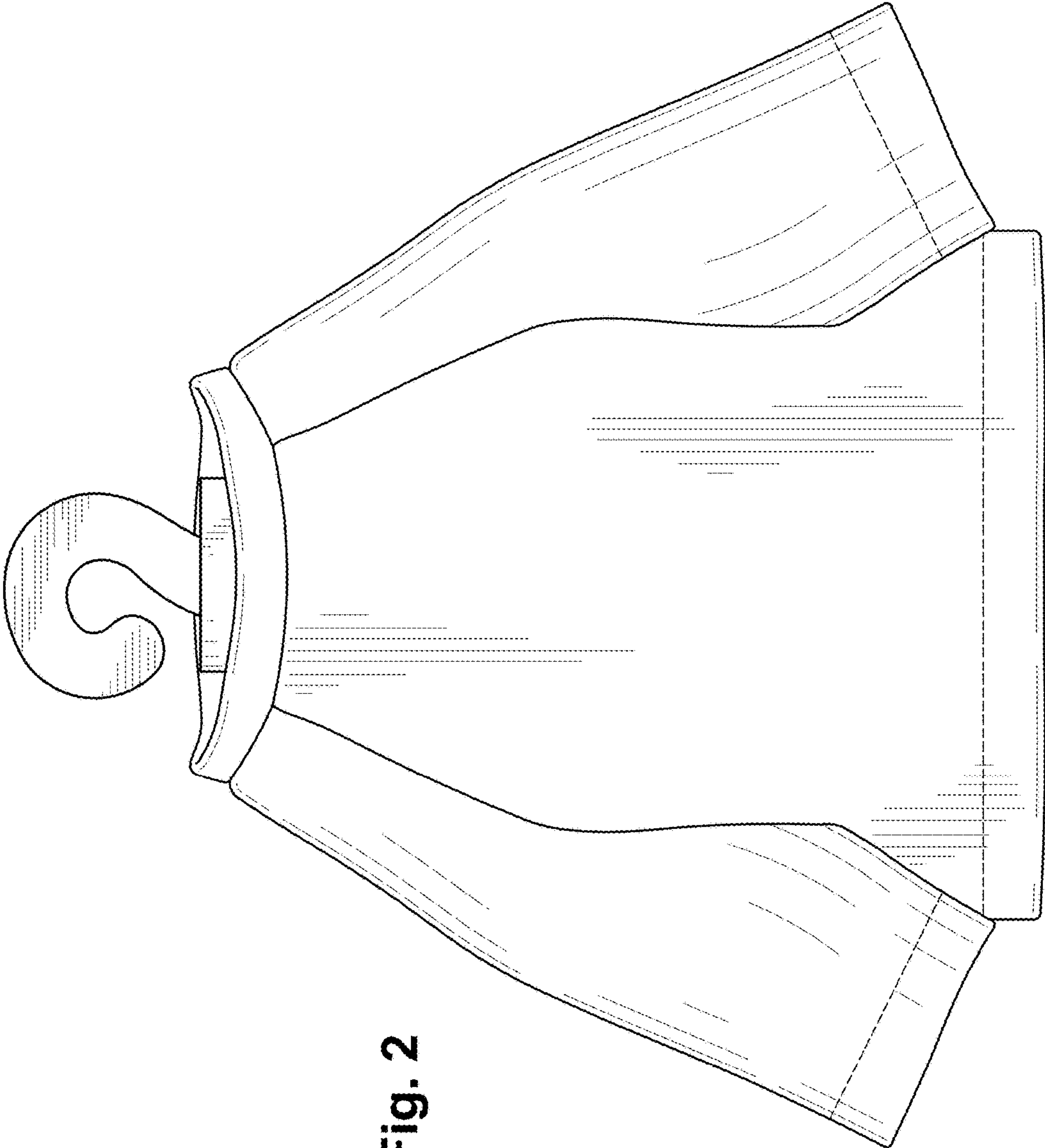


Fig. 2



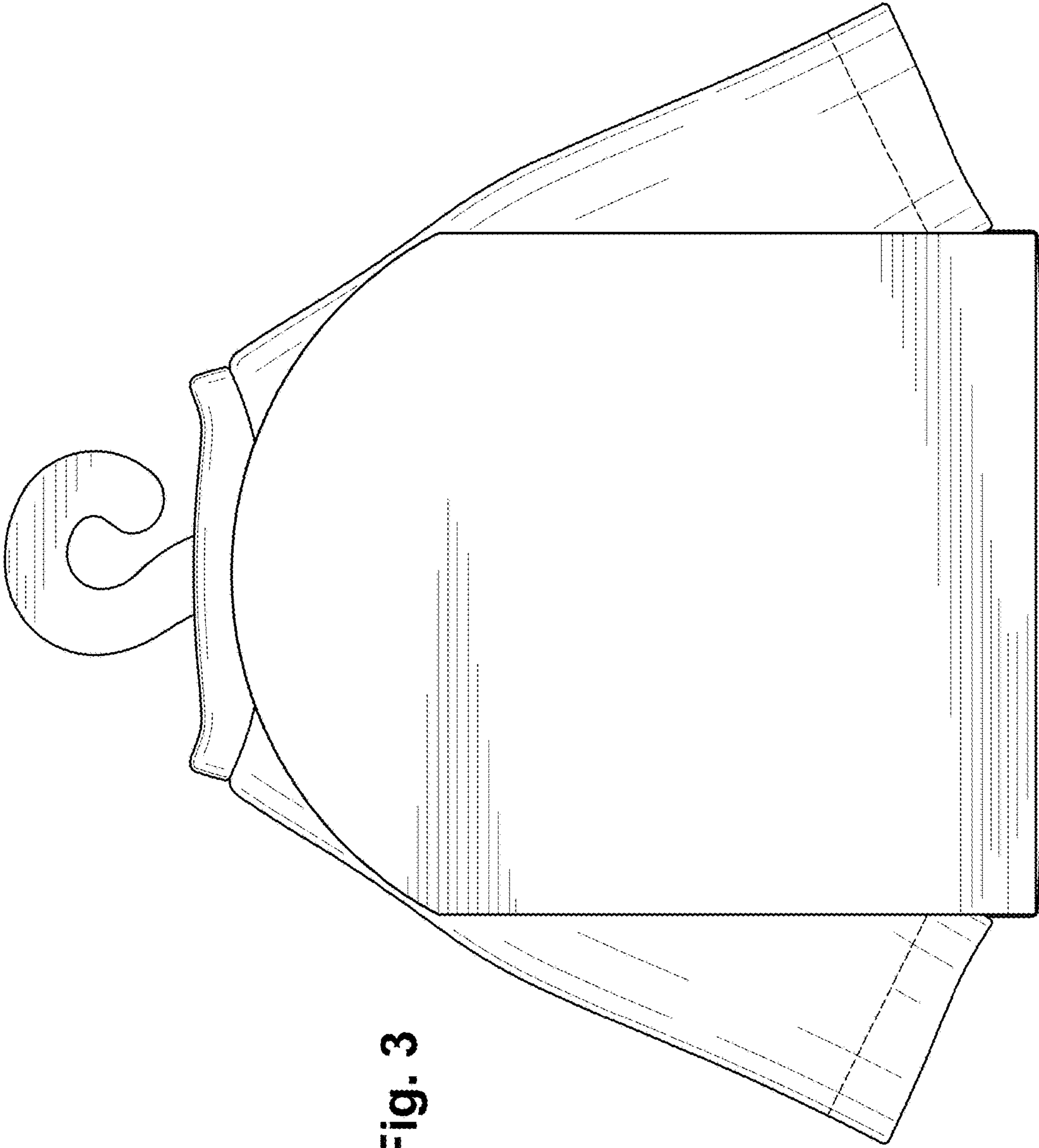


Fig. 3

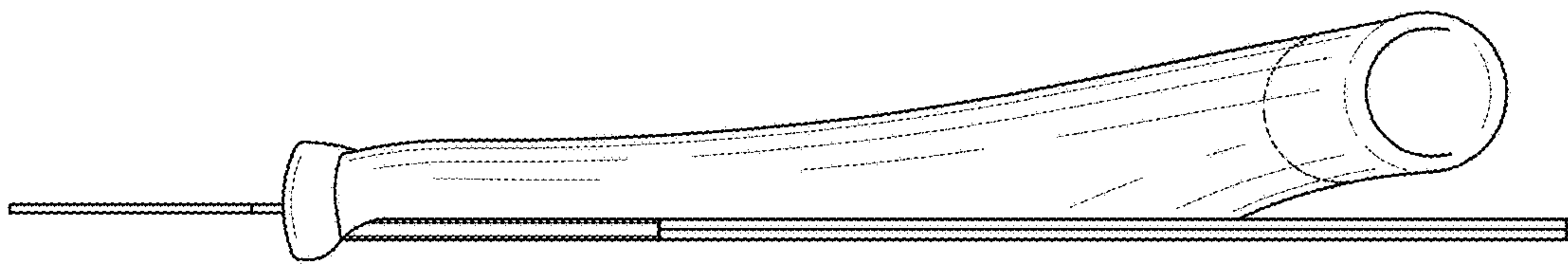


Fig. 5

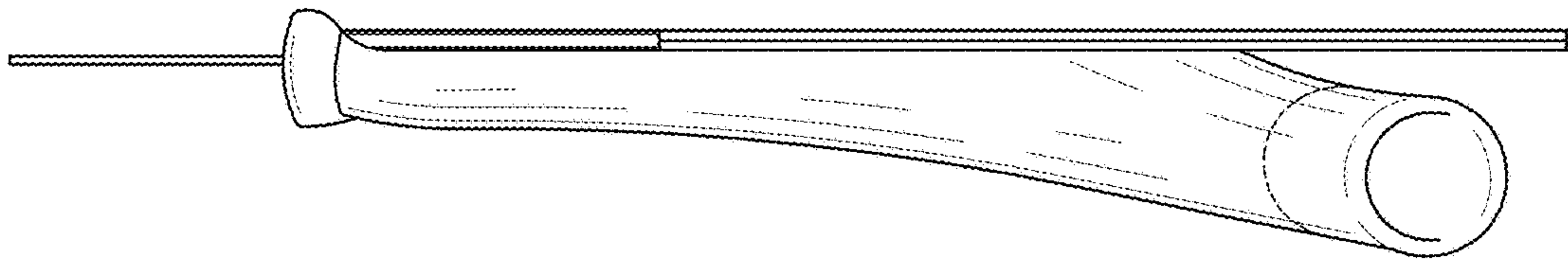


Fig. 4



Fig. 6

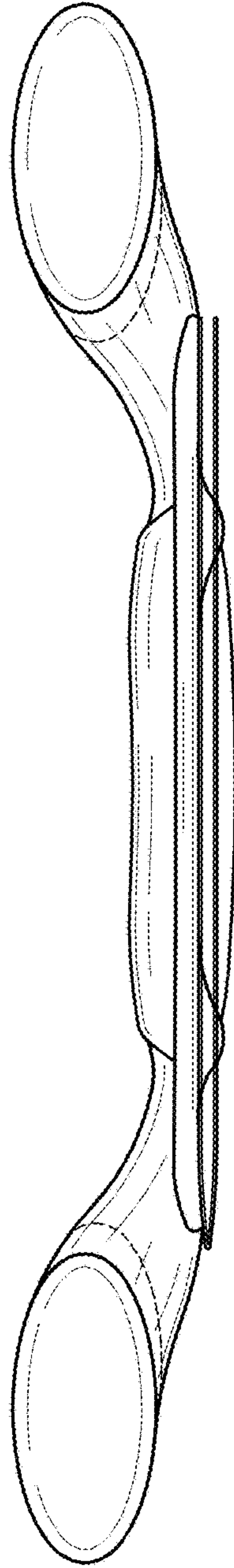


Fig. 7

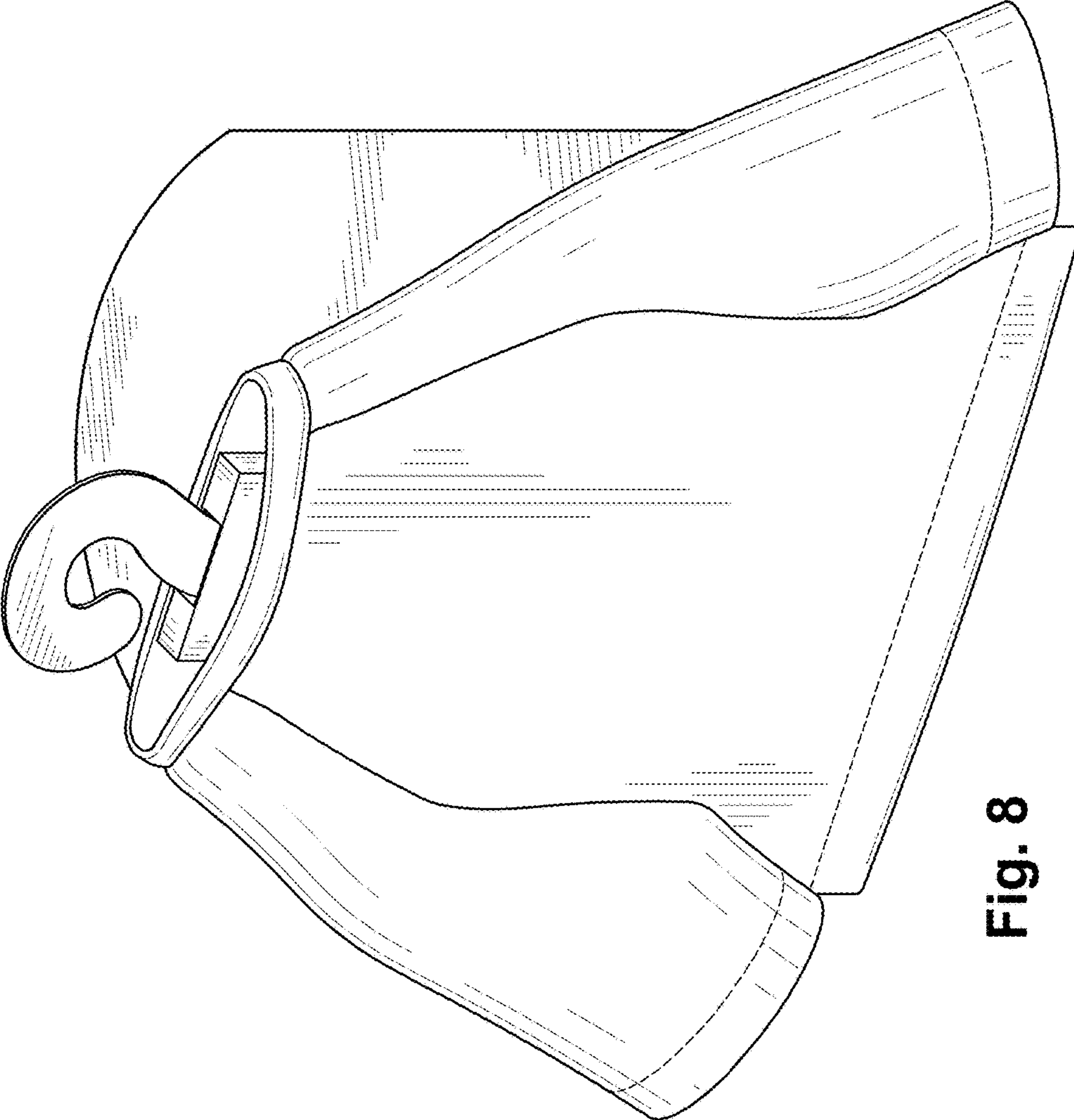


Fig. 8



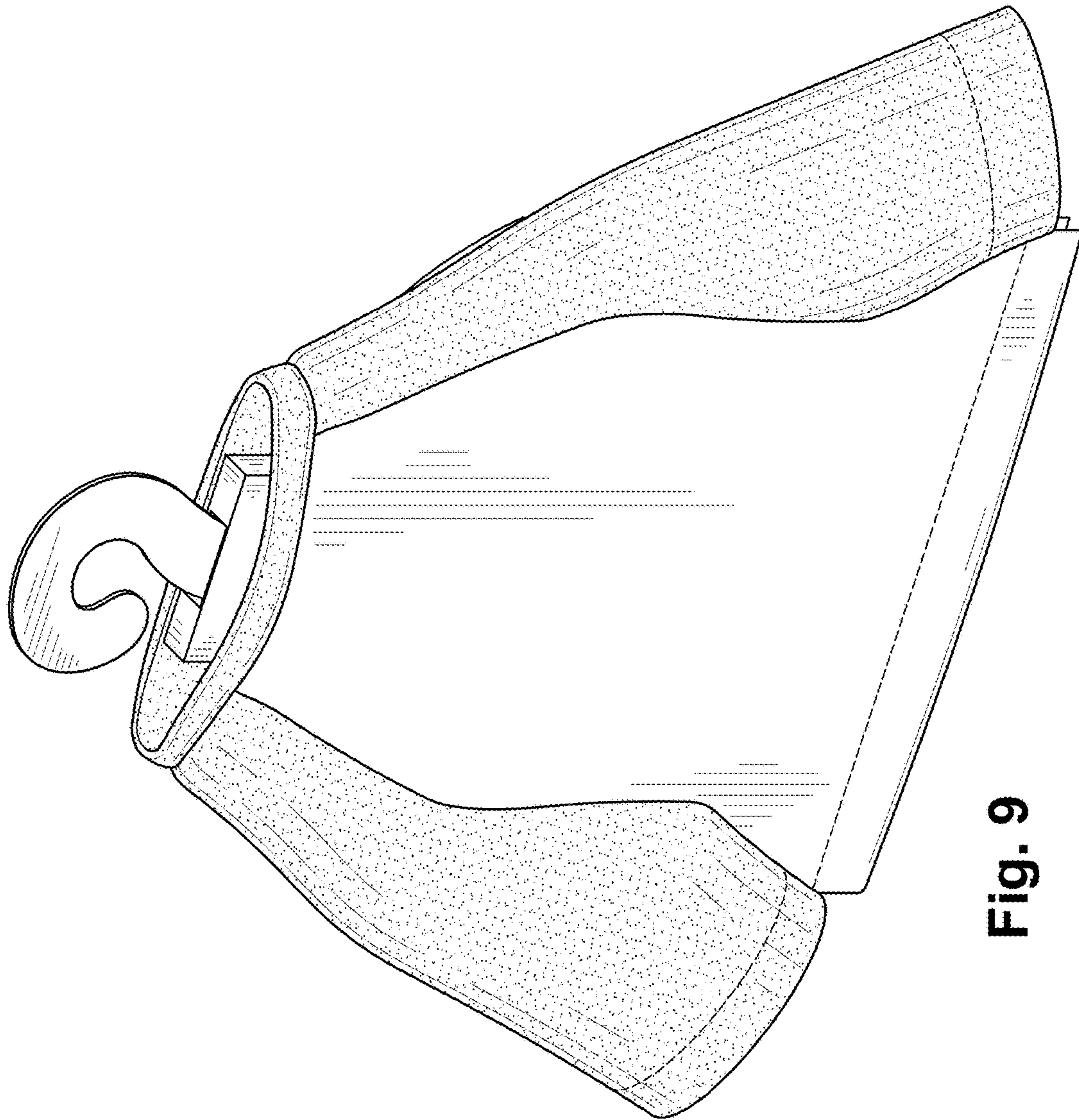


Fig. 9

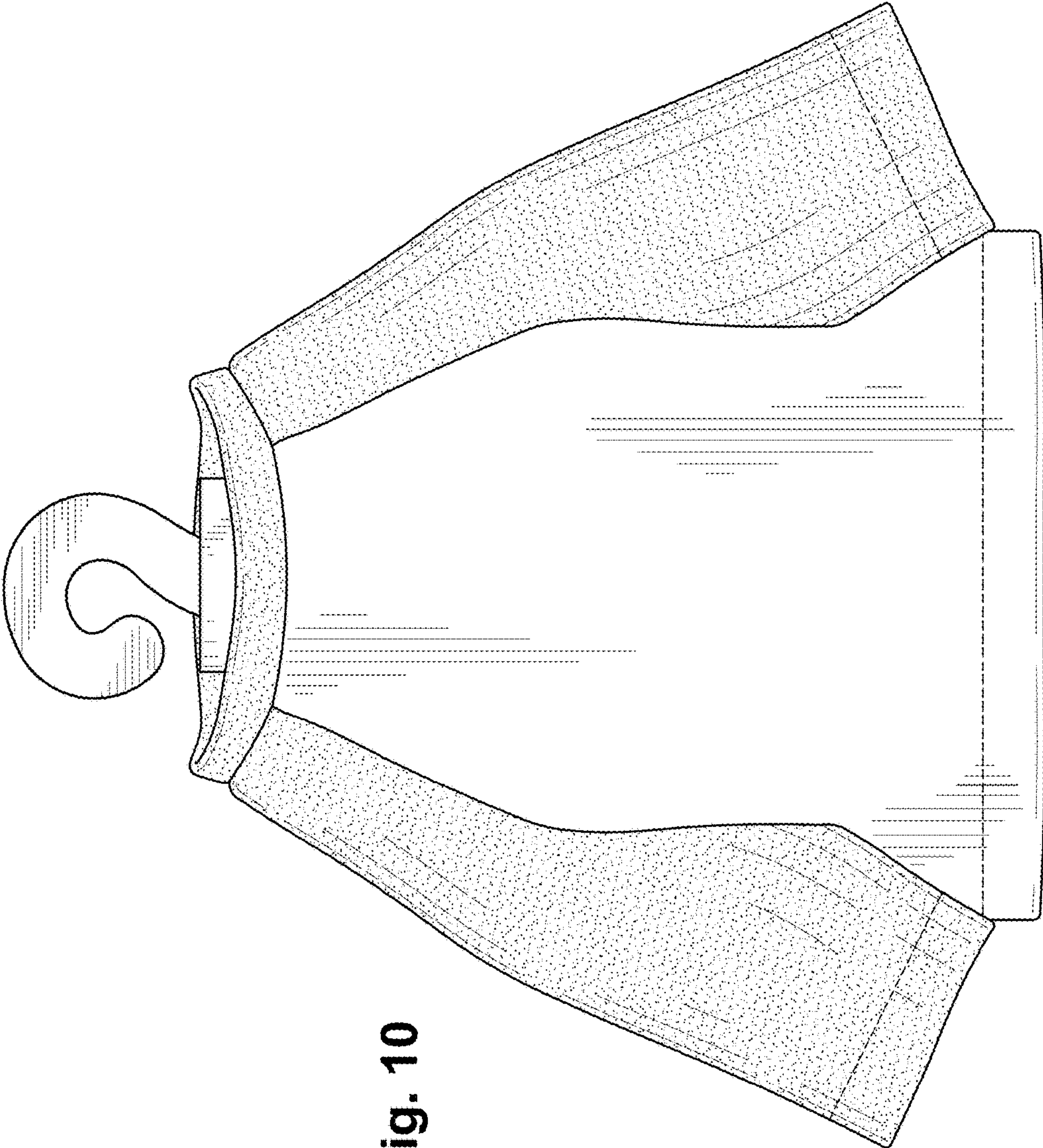


Fig. 10

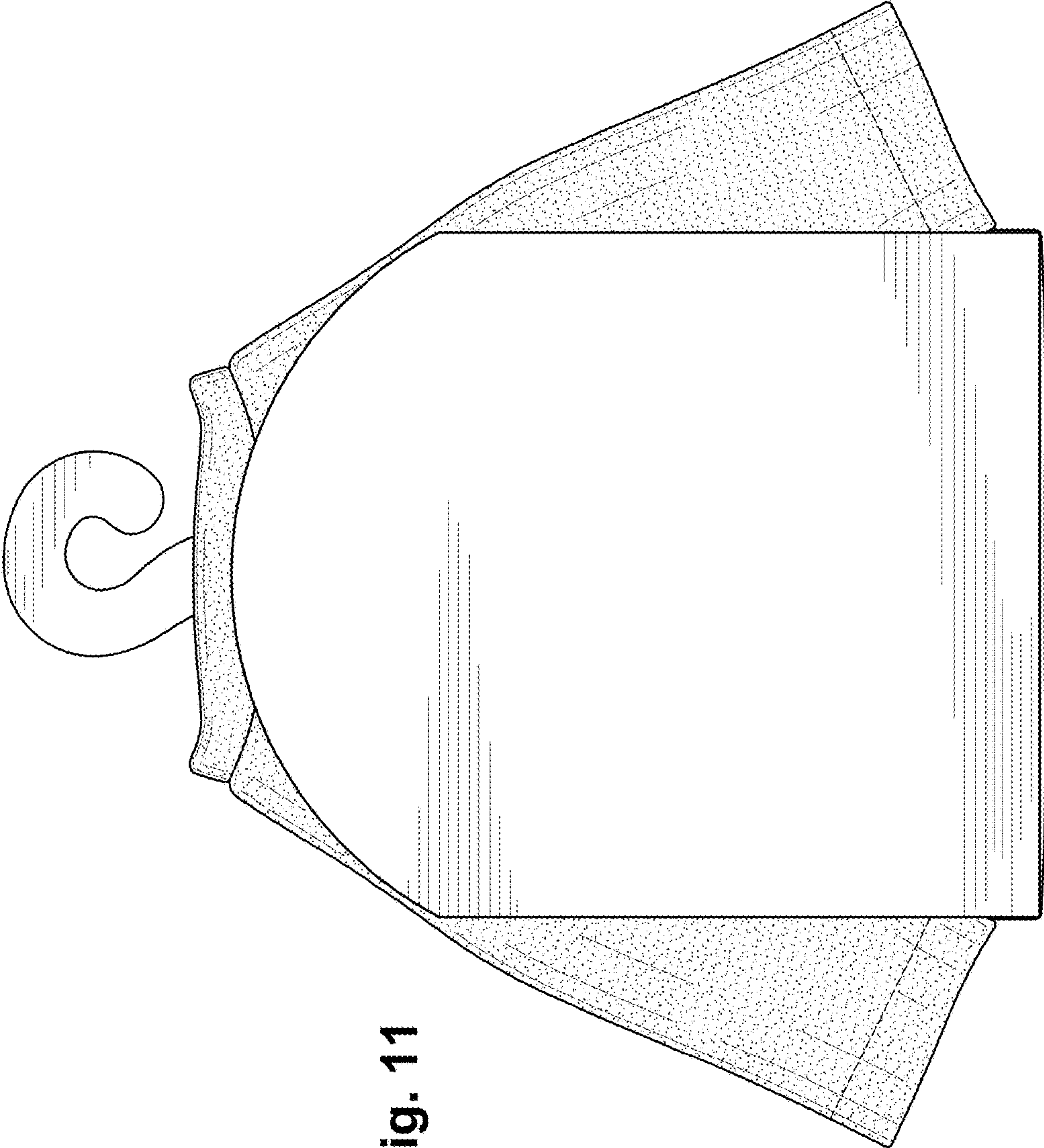


Fig. 11

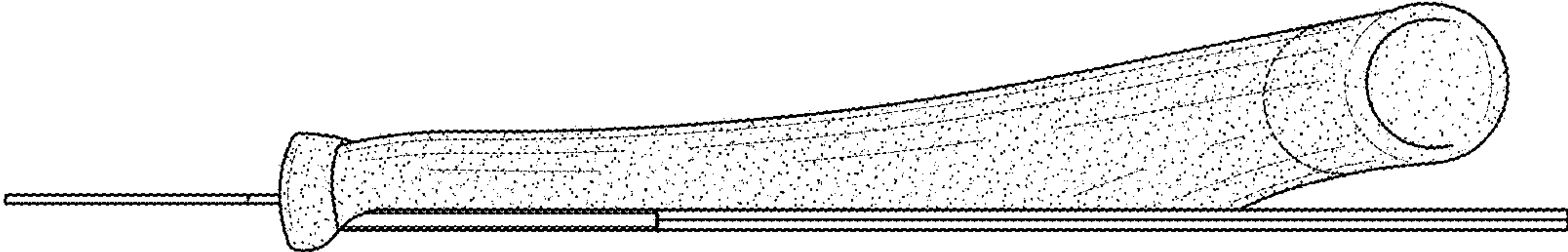


Fig. 13

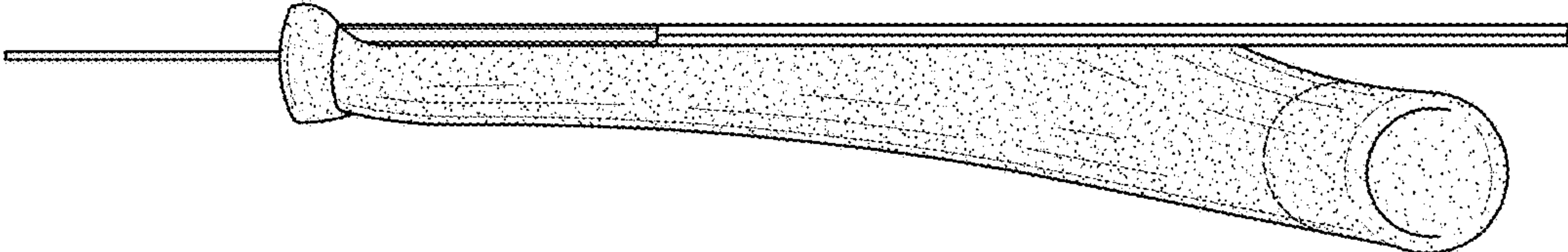


Fig. 12



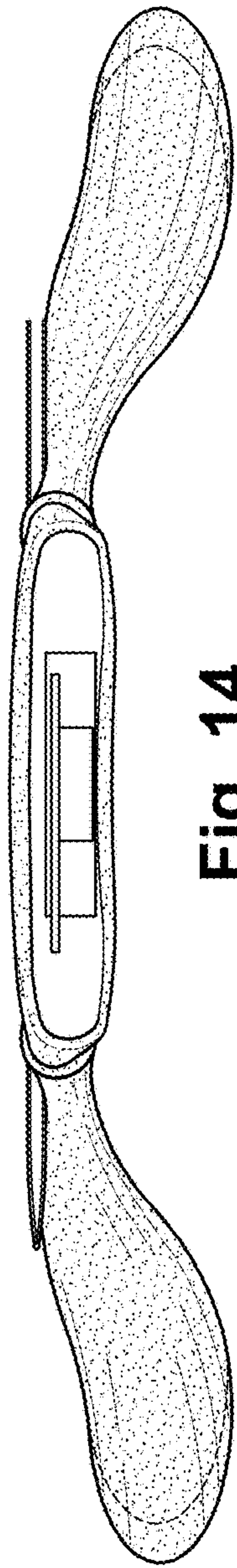


Fig. 14



Fig. 15



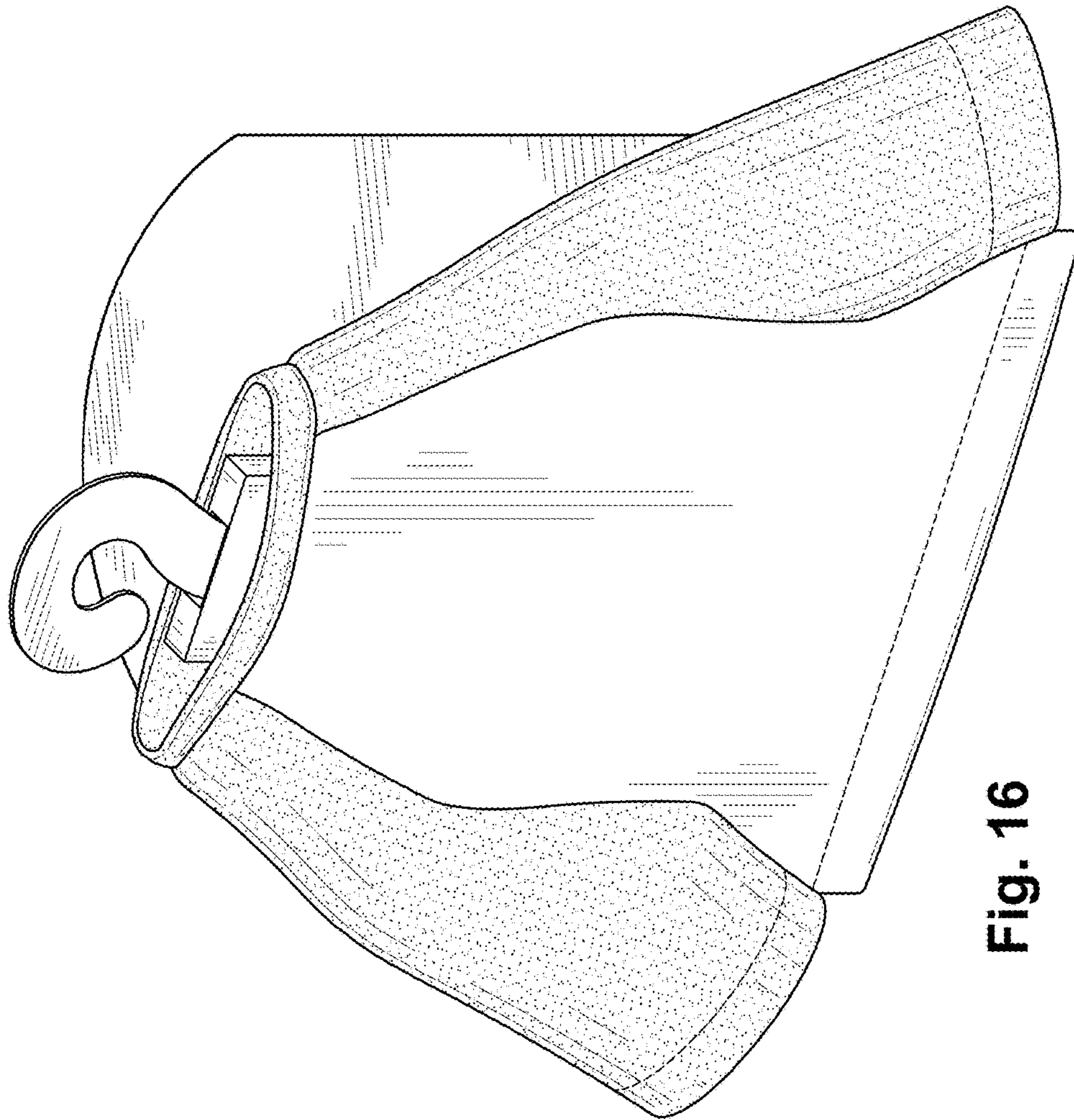


Fig. 16