



US00D834641S

(12) **United States Design Patent**  
**Brown et al.**

(10) **Patent No.:** **US D834,641 S**

(45) **Date of Patent:** **\*\* Nov. 27, 2018**

- (54) **MULTIFUNCTION PRINTING MACHINE**
- (71) Applicant: **XEROX CORPORATION**, Norwalk, CT (US)
- (72) Inventors: **Donald A Brown**, Honeoye Falls, NY (US); **Hidetoshi Kimura**, Kanagawa (JP); **Tsutomu Shihara**, Kanagawa (JP)
- (73) Assignee: **Xerox Corporation**, Norwalk, CT (US)

D678,941 S *	3/2013	Gilbert	.....	D18/55
D686,277 S *	7/2013	Gilbert	.....	D18/55
D728,011 S *	4/2015	Saito	.....	D18/36
D757,171 S *	5/2016	Kim	.....	D18/55
D811,473 S *	2/2018	Brown	.....	D18/50
9,931,871 B2 *	4/2018	Hirata	.....	B41J 11/58
D820,906 S *	6/2018	Brown	.....	D18/50
D826,318 S *	8/2018	Brown	.....	D18/50
2018/0101114 A1 *	4/2018	Takeuchi	.....	G03G 21/1633

(\*\*) Term: **15 Years**

\* cited by examiner

*Primary Examiner* — Robin V Webster

*Assistant Examiner* — J. Thorn, Sr.

(21) Appl. No.: **29/600,820**

(57) **CLAIM**

The ornamental design for a multifunction printing machine, as shown and described.

(22) Filed: **Apr. 17, 2017**

(51) **LOC (11) Cl.** ..... **14-02**

**DESCRIPTION**

(52) **U.S. Cl.**

USPC ..... **D18/50**; D18/55

(58) **Field of Classification Search**

USPC ..... D18/50, 55, 36-37; 347/3

CPC ..... B41J 15/12; B41J 15/042; B41J 11/58;

G06K 15/12; G06K 15/14

See application file for complete search history.

FIG. 1 is a perspective view of a multifunction printing machine in accordance with the present invention;  
 FIG. 2 is a front view thereof;  
 FIG. 3 is a right side view thereof;  
 FIG. 4 is a rear view thereof;  
 FIG. 5 is a left side view thereof;  
 FIG. 6 is a top plan view thereof; and,  
 FIG. 7 is a bottom plan view thereof.

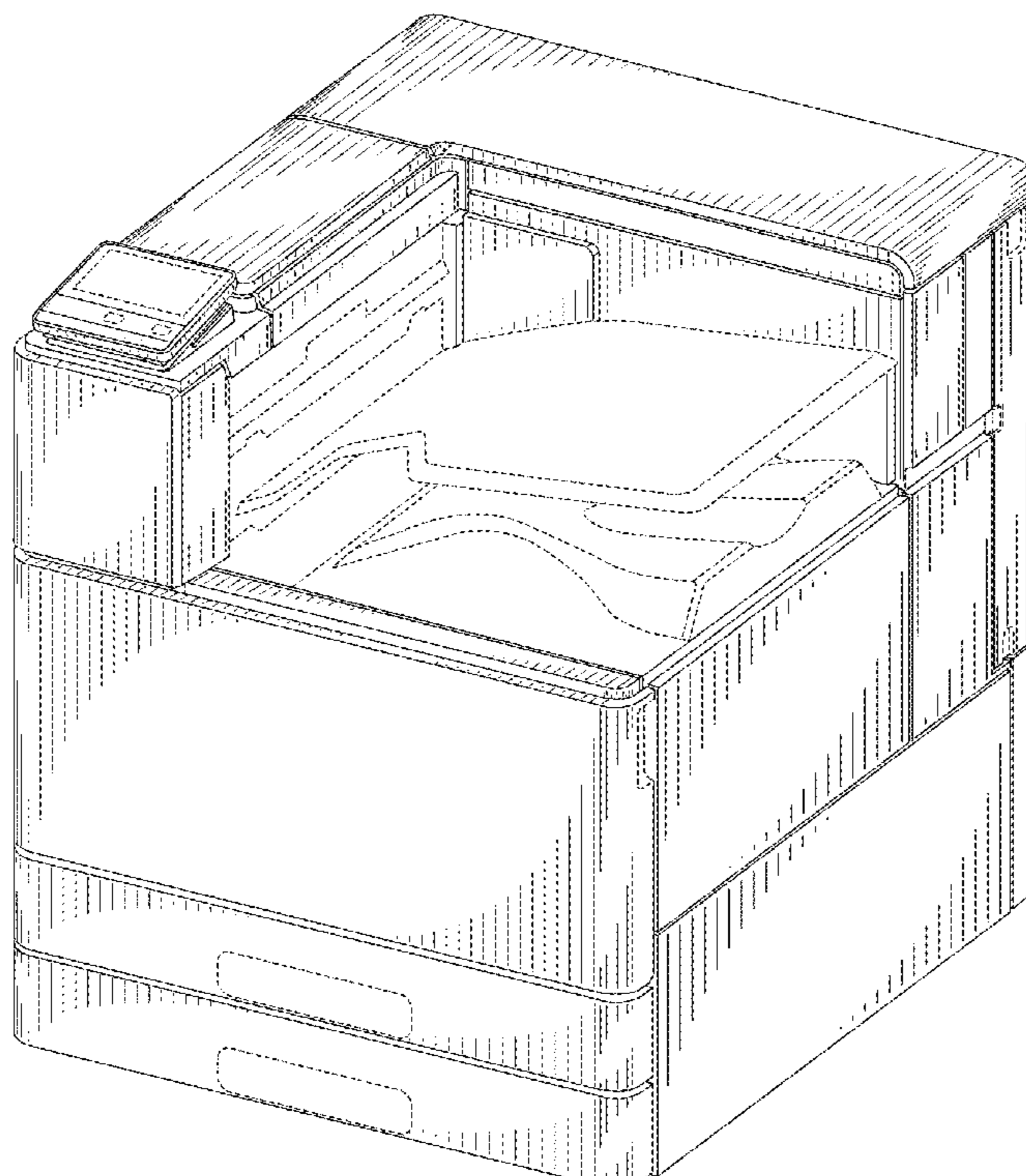
The broken lines in the drawings depict environmental subject matter, are for illustrative purposes only and form no part of the claimed design.

(56) **References Cited**

**U.S. PATENT DOCUMENTS**

D549,772 S *	8/2007	Mase	.....	D18/55
D634,361 S *	3/2011	Terenzio	.....	D18/55
D667,487 S *	9/2012	Falk	.....	D18/55

**1 Claim, 7 Drawing Sheets**



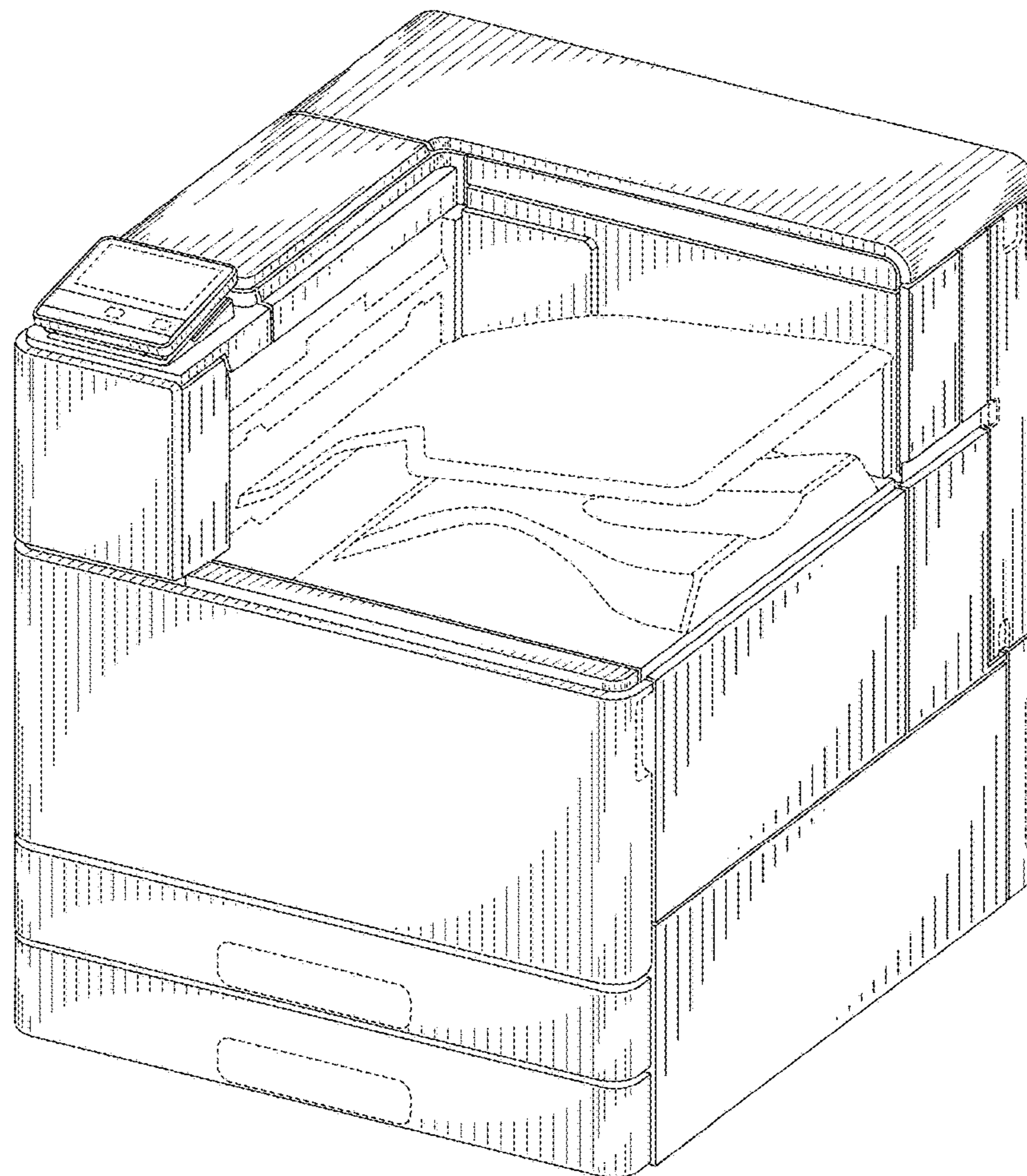


FIG. 1

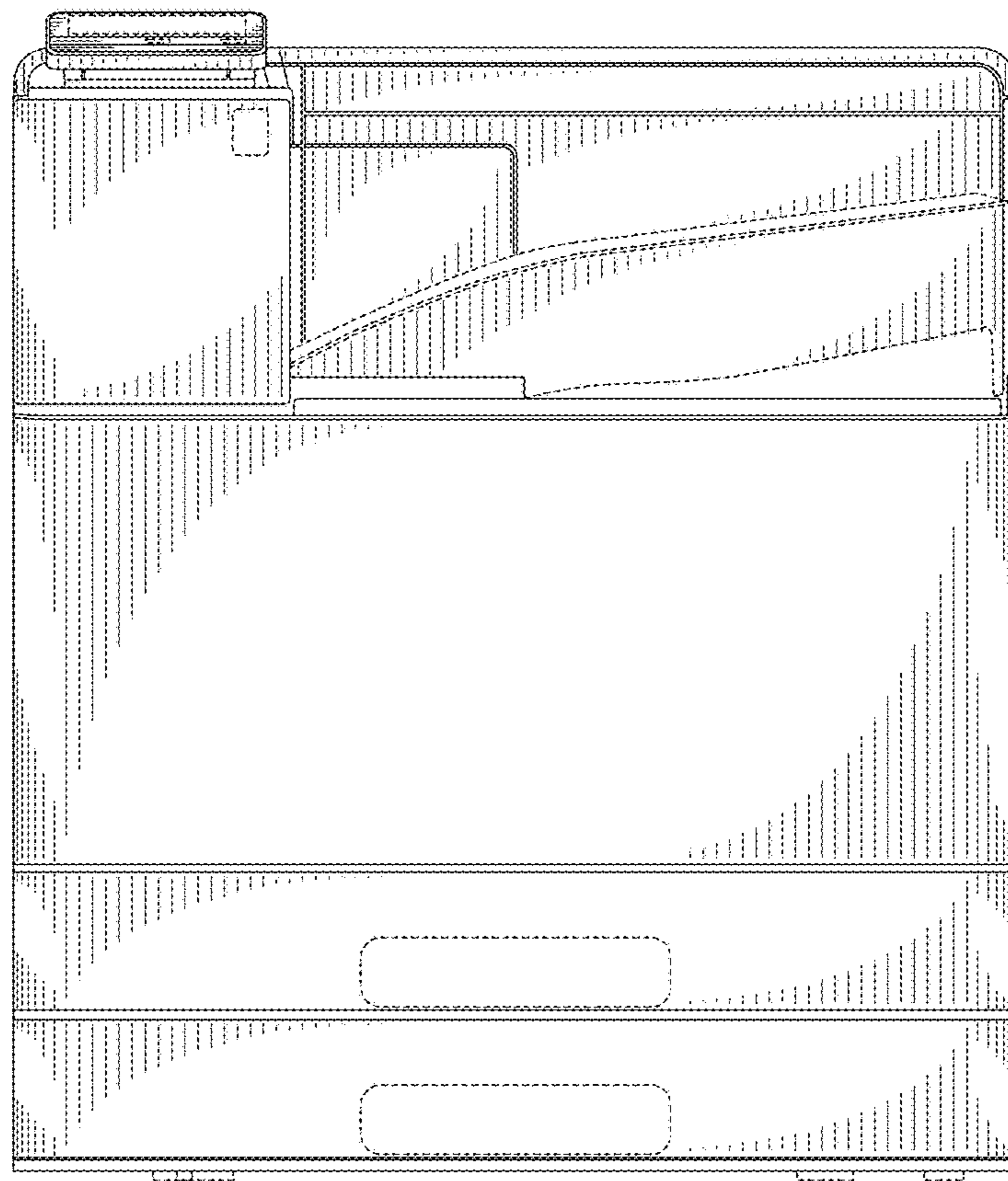


FIG. 2

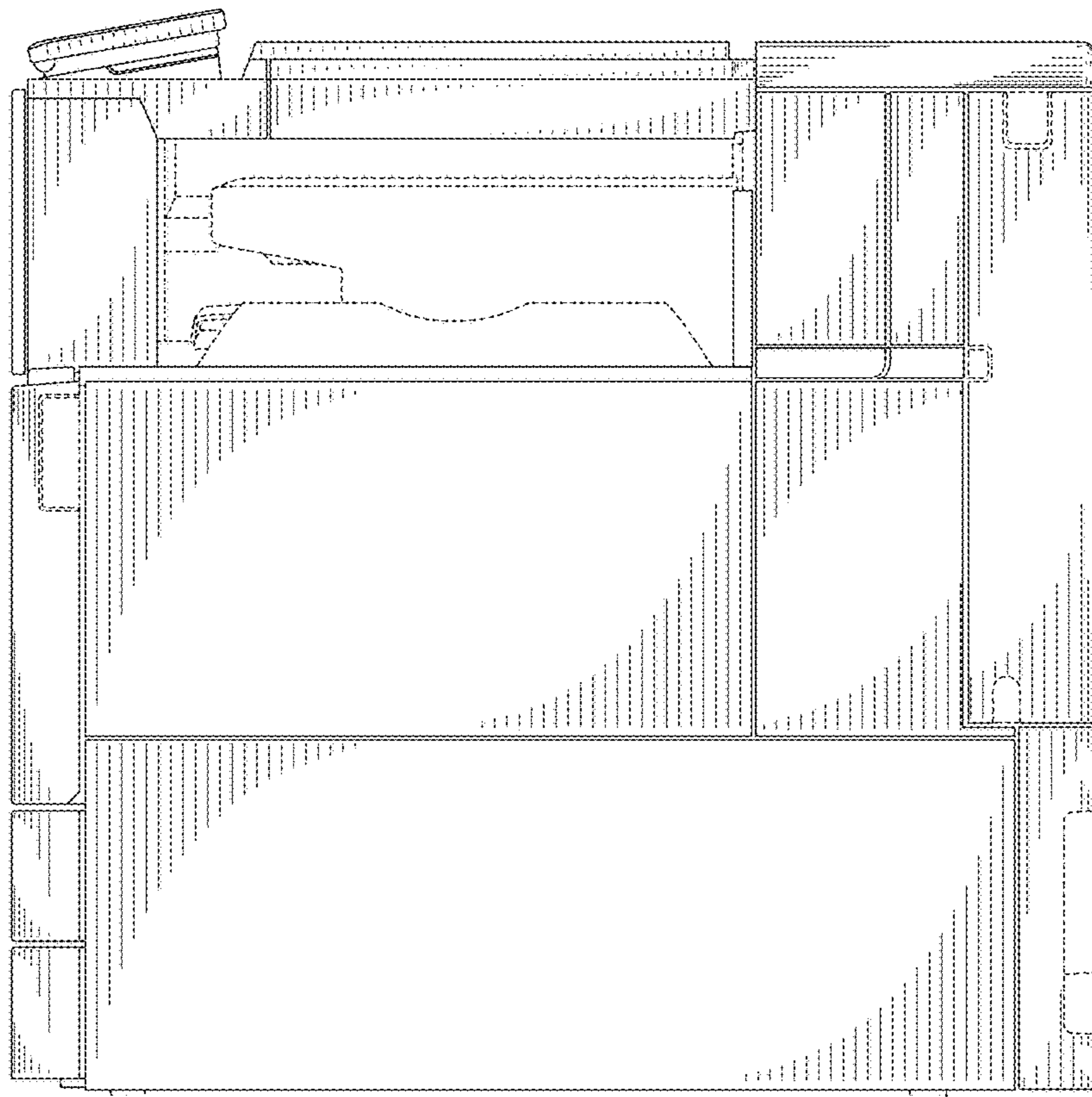


FIG. 3

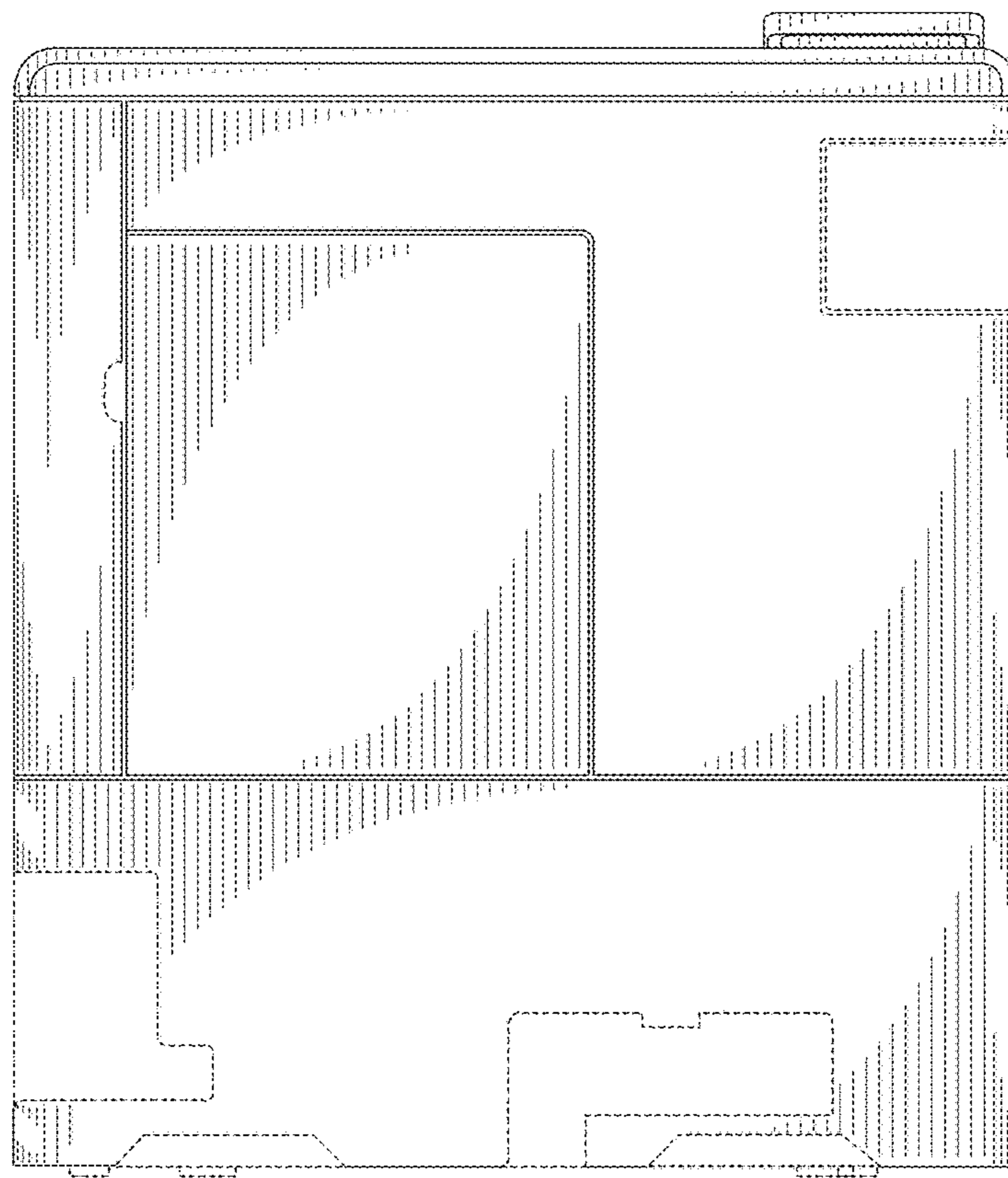


FIG. 4

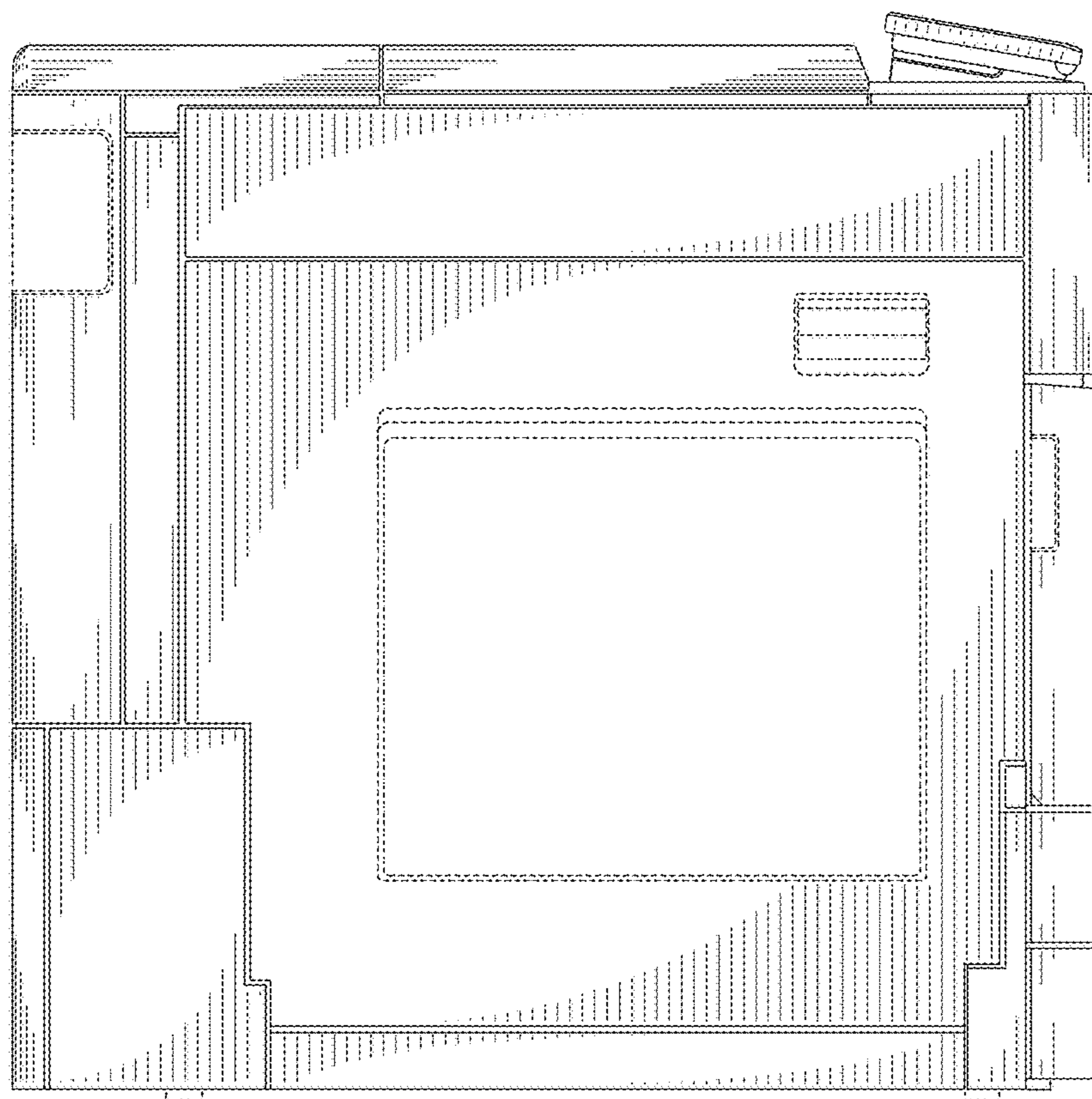


FIG. 5

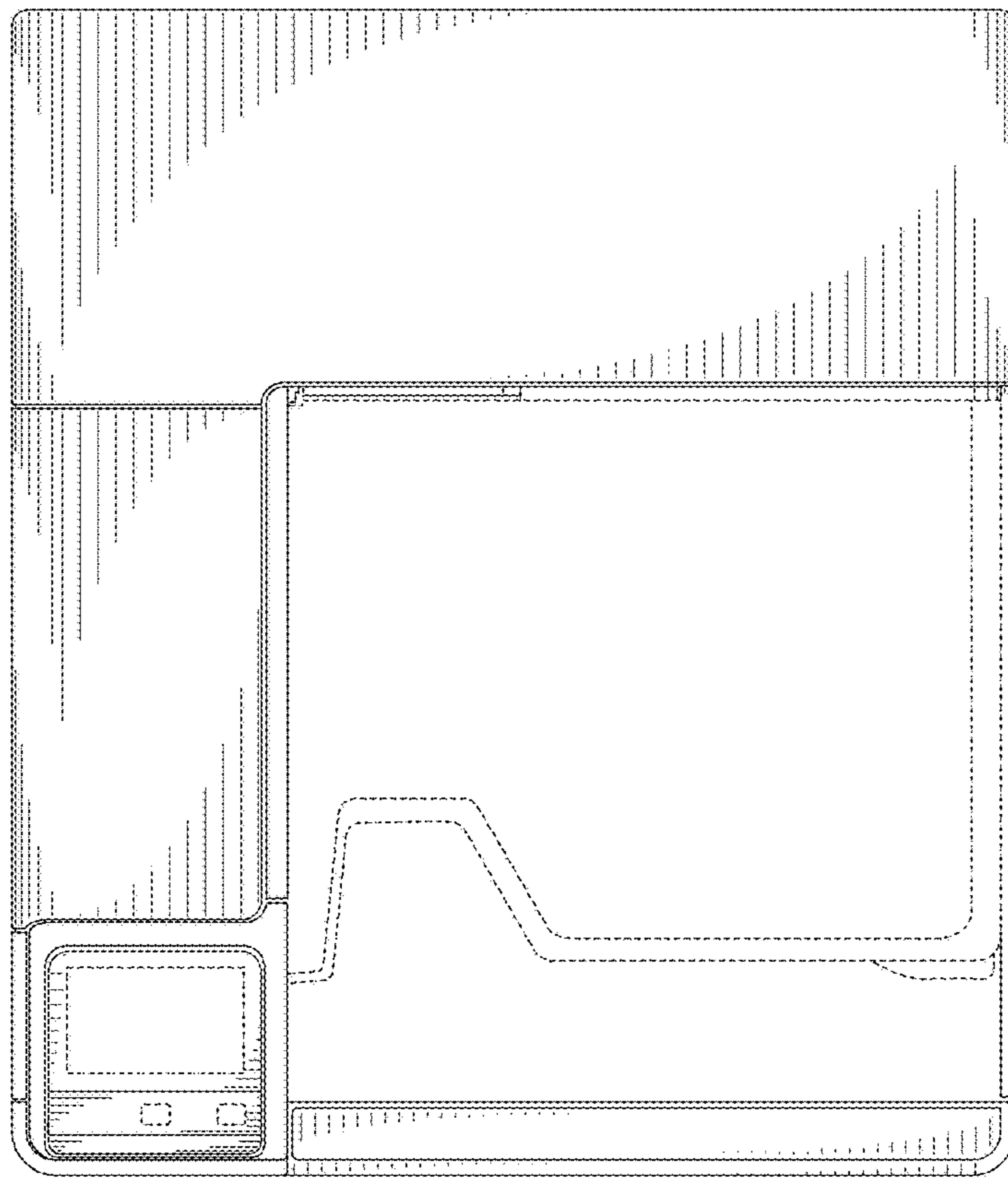


FIG. 6

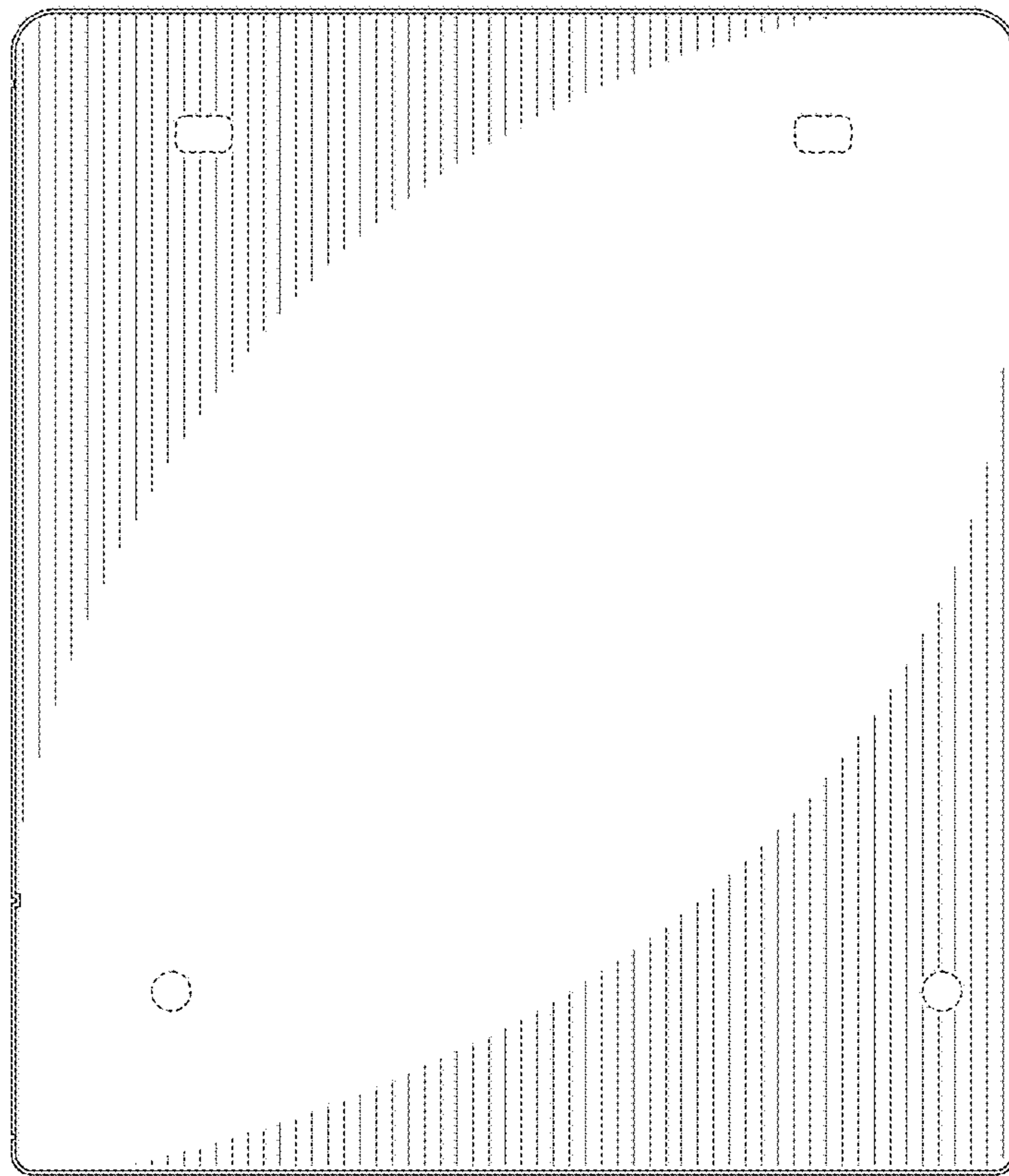


FIG. 7