



US00D834639S

(12) **United States Design Patent** (10) **Patent No.:** **US D834,639 S**
Wofford, Sr. (45) **Date of Patent:** **** Nov. 27, 2018**

(54) **RIGHT HAND THUMB REST FOR SAXOPHONE**

(71) Applicant: **Wayne Albert Wofford, Sr.**, Hempstead, NY (US)

(72) Inventor: **Wayne Albert Wofford, Sr.**, Hempstead, NY (US)

(**) Term: **15 Years**

(21) Appl. No.: **29/585,942**

(22) Filed: **Nov. 30, 2016**

Related U.S. Application Data

(63) Continuation-in-part of application No. 29/551,805, filed on Jan. 28, 2016, now abandoned.

(51) **LOC (11) Cl.** **17-02**

(52) **U.S. Cl.**
USPC **D17/13**

(58) **Field of Classification Search**
USPC D17/9, 10, 13, 20; D22/108; D8/349, D8/350, 354, 356, 363, 382, 373, 380, D8/381, 377; D16/242; D25/119, 120, D25/121, 122

CPC G10D 9/00; G10D 9/04; G10D 9/043; G10D 9/046; G10D 7/00; G10D 7/06; G10D 7/063; G10D 7/066; G10D 7/08

See application file for complete search history.

(56) **References Cited**

U.S. PATENT DOCUMENTS

D45,610 S * 4/1914 Norris D17/9
D51,238 S * 9/1917 Norris D17/9
D299,809 S * 2/1989 Hagedorn 248/674
D339,601 S * 9/1993 Diefes 84/385 R

5,949,007 A * 9/1999 Rumore G10D 9/04 84/380 R
6,037,533 A * 3/2000 Runyon G10D 7/08 84/380 R
D660,133 S * 5/2012 Yoder D8/354
D660,688 S * 5/2012 Kosir D8/373
D701,260 S * 3/2014 Burton D16/242
D737,116 S * 8/2015 Lussier D8/349

OTHER PUBLICATIONS

Youtube, The Deluxe WAW Thumb Rest for Saxophone, posted Oct. 31, 2015, [online], [site visited May 24, 2018]. Available from Internet, <URL: <https://www.youtube.com/watch?v=XL8MLSB8L-g>> (Year: 2015).*

Amazon, Saxophone thumb rest, posted Jan. 13, 2015, [online], [site visited May 24, 2018]. Available from Internet, <URL: https://www.amazon.co.uk/Saxophone-Thumb-Rest-Plastic-Black/dp/B00PHZGHEG/ref=sr_1_44?ie=UTF8&qid=1527202417&sr=8-44&keywords=SAXOPHONE+THUMB+REST> (Year: 2015).*

* cited by examiner

Primary Examiner — Sheryl Lane

Assistant Examiner — Samantha N Wood

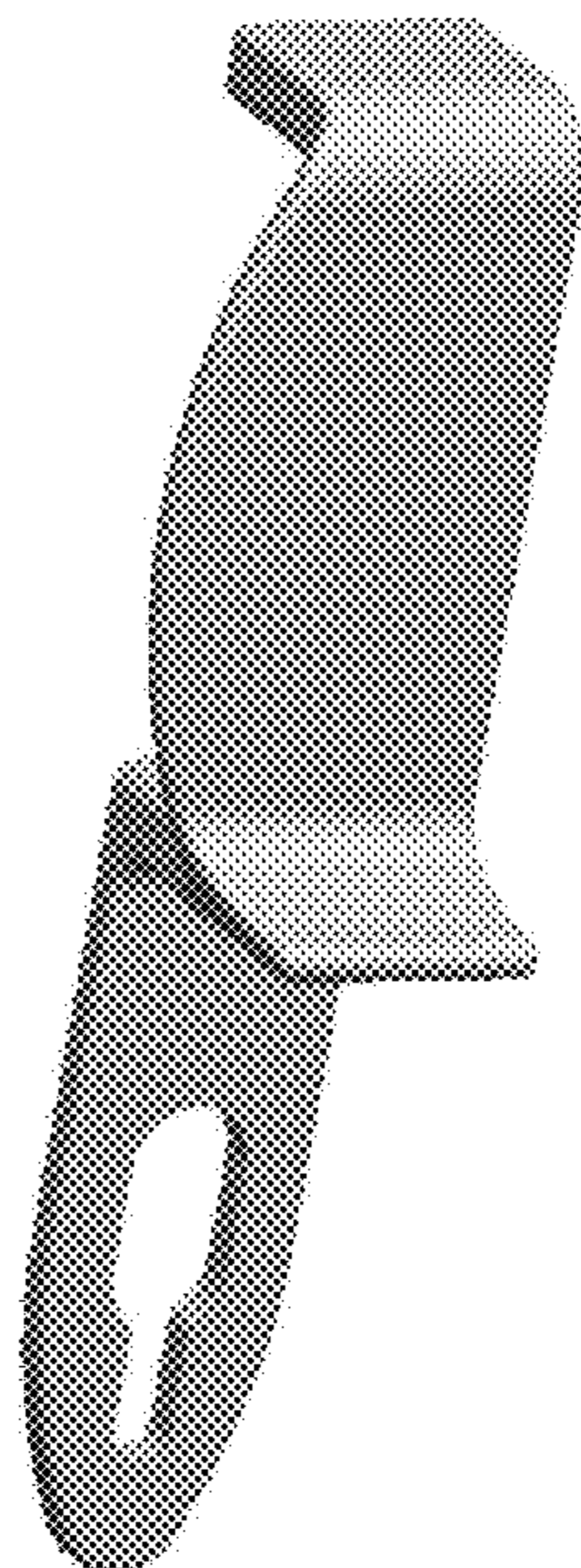
(57) **CLAIM**

The ornamental design for a right hand thumb rest for saxophone, as shown and described.

DESCRIPTION

FIG. 1 is a front perspective view of a right hand thumb rest for saxophone, showing my new design; FIG. 2 is a front elevation view thereof; FIG. 3 is a rear elevation view thereof; FIG. 4 is a left side elevation view thereof; and, FIG. 5 is a right side elevation view thereof.

1 Claim, 5 Drawing Sheets



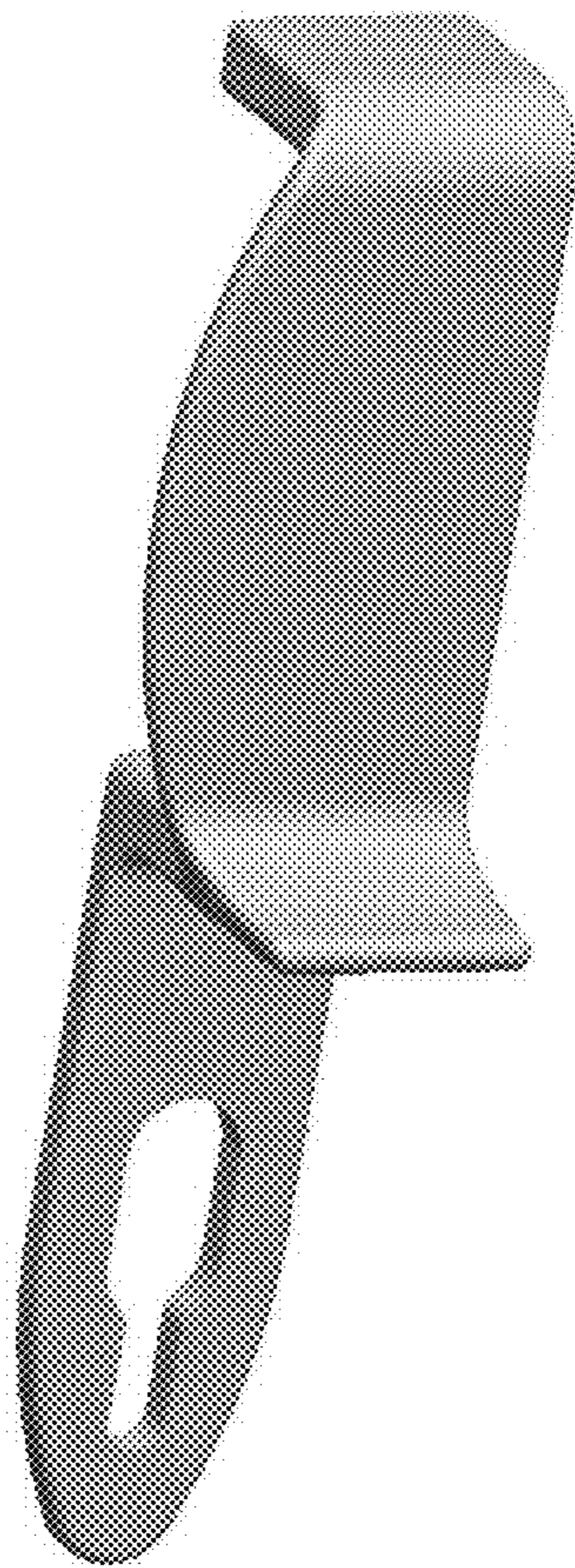


FIGURE 1

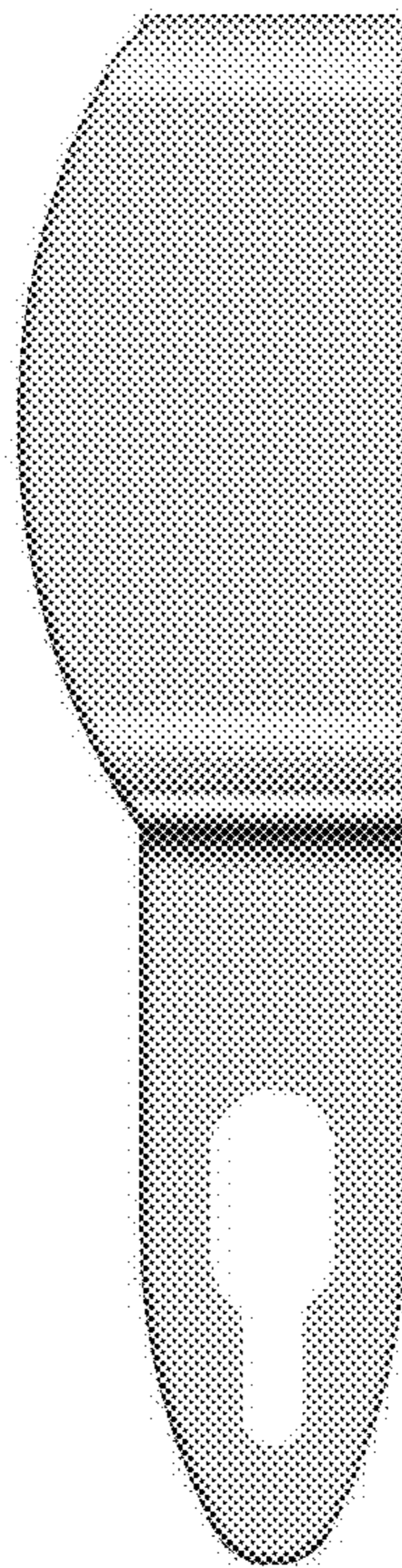


FIGURE 2

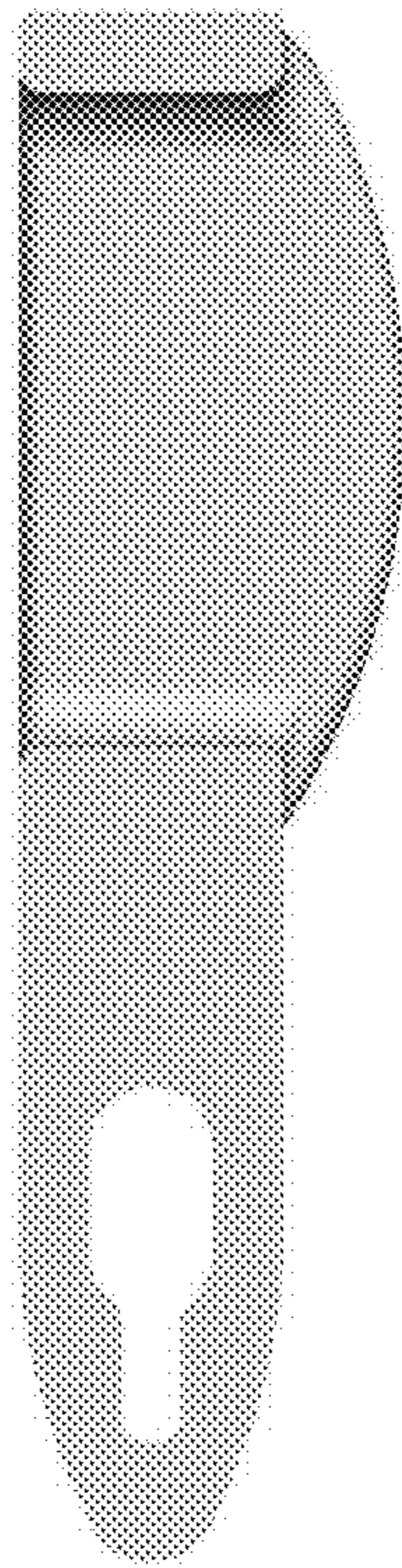


FIGURE 3

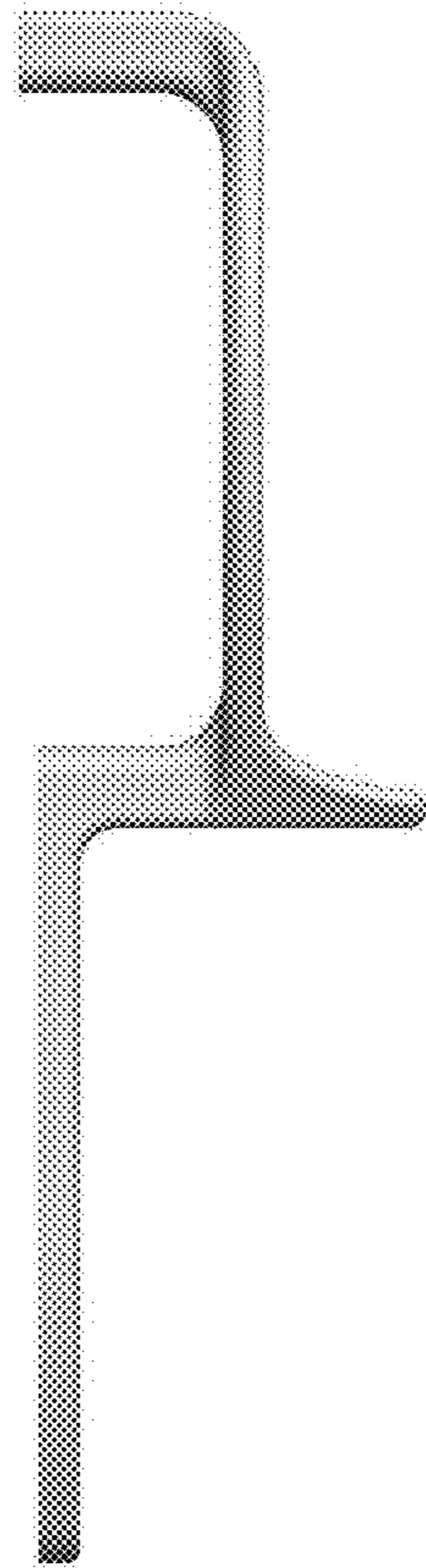


FIGURE 4

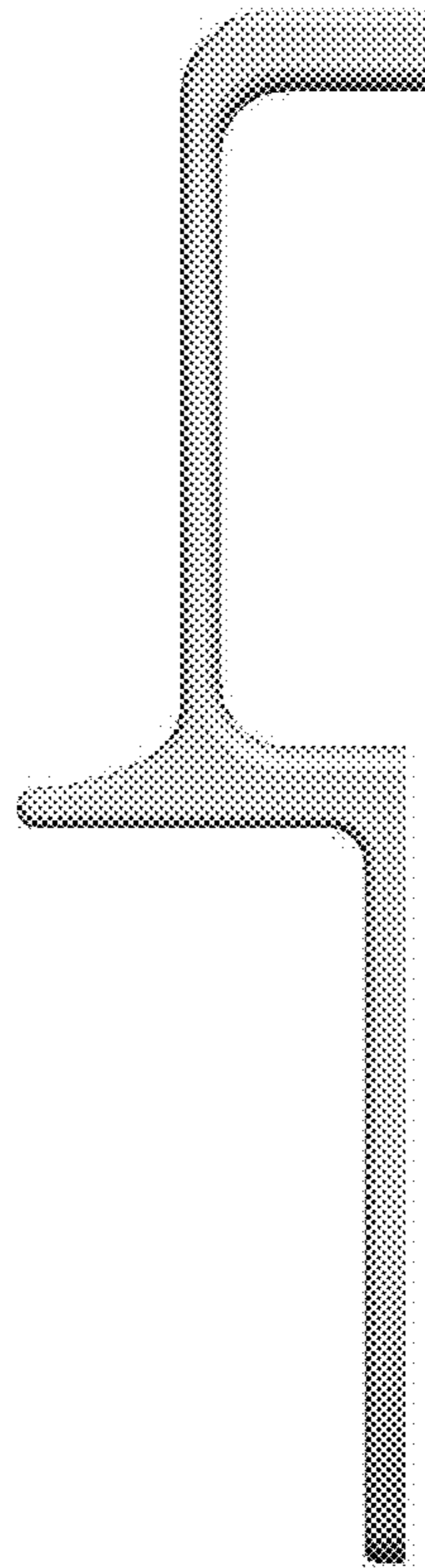


FIGURE 5