



US00D834638S

(12) **United States Design Patent**
Liu et al.

(10) **Patent No.:** **US D834,638 S**

(45) **Date of Patent:** **** Nov. 27, 2018**

(54) **GRAND PIANO**

(71) Applicant: **FINDPIANO INFORMATION TECHNOLOGY (SHANGHAI) CO., LTD.**, Shanghai (CN)

(72) Inventors: **Xiaolu Liu**, Shanghai (CN); **Kevin Patrick Burke**, Shanghai (CN)

(73) Assignee: **SUNLAND INFORMATION TECHNOLOGY CO., LTD.**, Shanghai (CN)

(**) Term: **15 Years**

(21) Appl. No.: **29/568,485**

(22) Filed: **Jun. 18, 2016**

(30) **Foreign Application Priority Data**

Nov. 13, 2015 (CN) 2015 3 0453145
Nov. 13, 2015 (CN) 2015 3 0453918
Dec. 21, 2015 (CN) 2015 3 0548249

(51) **LOC (11) Cl.** **17-01**

(52) **U.S. Cl.**
USPC **D17/8**

(58) **Field of Classification Search**
USPC D17/1, 2, 7-9
CPC G10C 3/00
See application file for complete search history.

(56) **References Cited**

U.S. PATENT DOCUMENTS

D76,336 S * 9/1928 Zaiser D17/8
D78,246 S * 4/1929 Zaiser D17/8

D152,089 S * 12/1948 Kapphan 84/177
D168,962 S * 3/1953 Millington et al. D17/8
D260,528 S * 9/1981 Decker D17/8
D345,967 S * 4/1994 Kroner D14/335
6,992,242 B2 * 1/2006 Shirayanagi G10C 3/02
84/174
D676,899 S * 2/2013 Suzuki D17/8
D688,730 S * 8/2013 Suzuki D17/8
D718,809 S * 12/2014 Omachi D17/8
2003/0226439 A1 * 12/2003 Revenaugh G10C 3/00
84/177
2009/0120264 A1 * 5/2009 Wheeler G10H 1/32
84/174

* cited by examiner

Primary Examiner — John Windmuller

Assistant Examiner — Benjamin M Weeks

(74) *Attorney, Agent, or Firm* — Metis IP LLC

(57) **CLAIM**

The ornamental design for a grand piano, as shown and described.

DESCRIPTION

FIG. 1 is a perspective view of a grand piano showing our new design;

FIG. 2 is a front view thereof;

FIG. 3 is a rear view thereof;

FIG. 4 is a right view thereof;

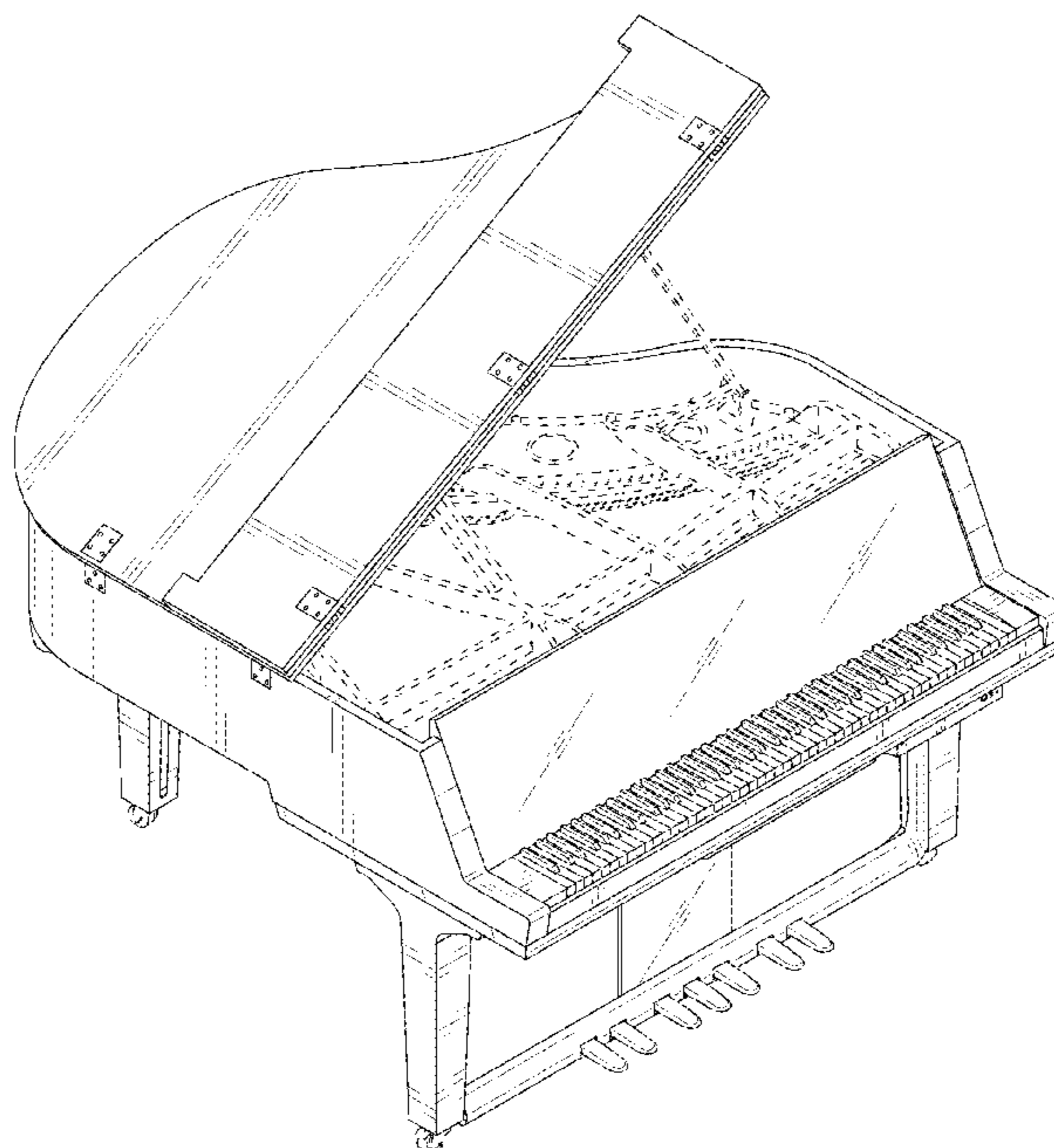
FIG. 5 is a left view thereof;

FIG. 6 is a top view thereof; and,

FIG. 7 is a bottom view thereof.

The broken lines within the Figures are for illustrative purposes only and form no part of the claimed design.

1 Claim, 7 Drawing Sheets



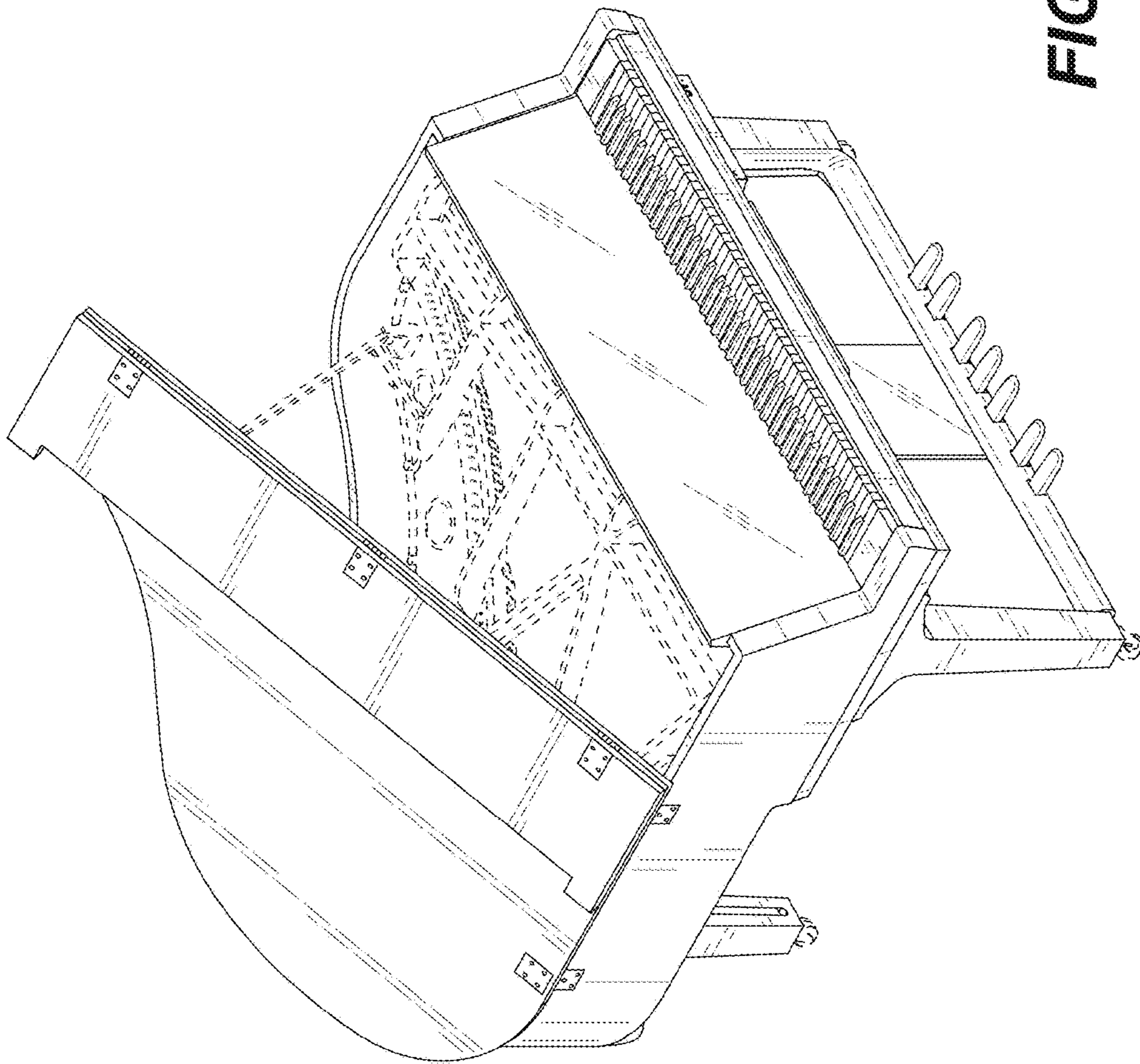


FIG. 1

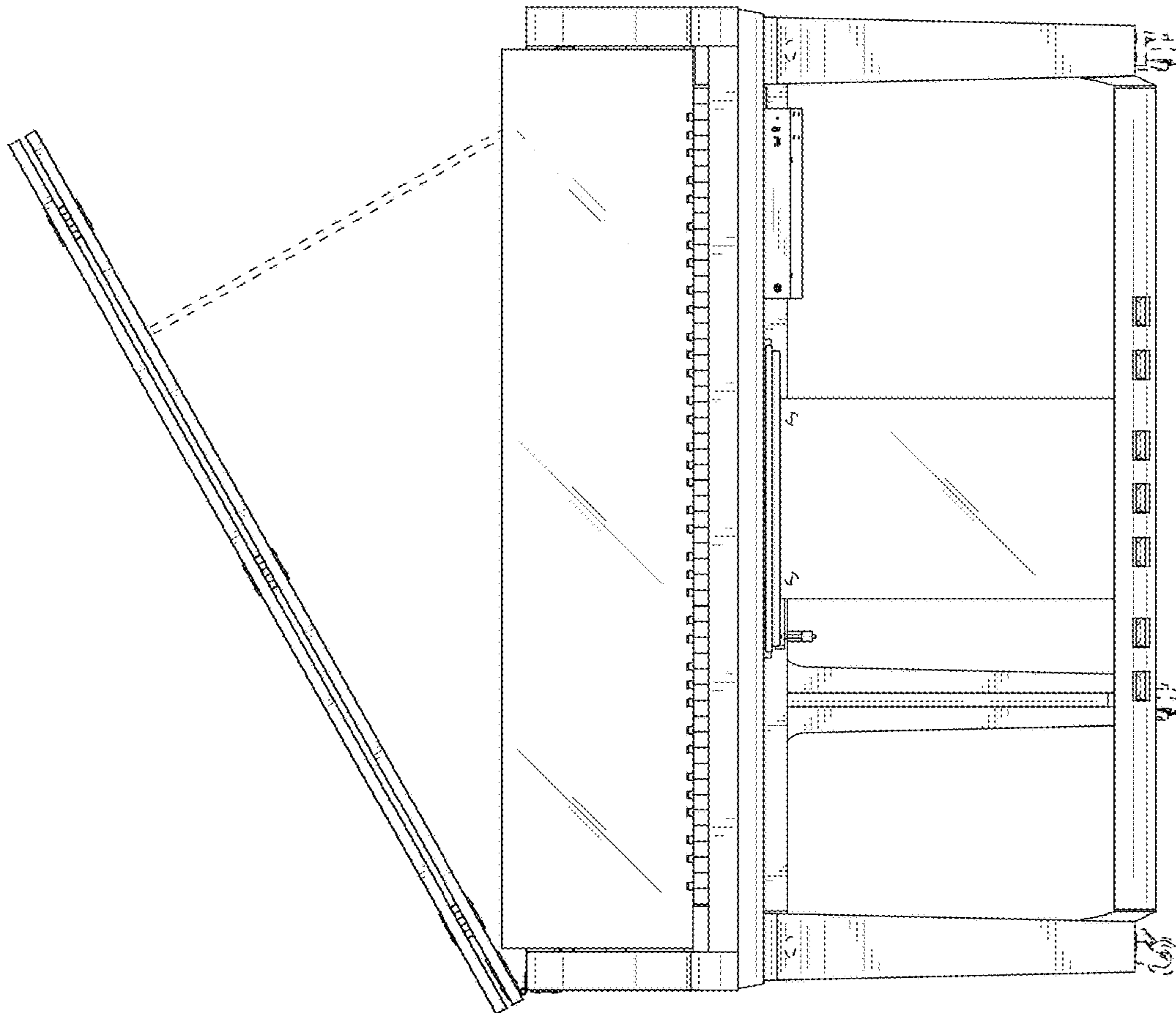


FIG. 2

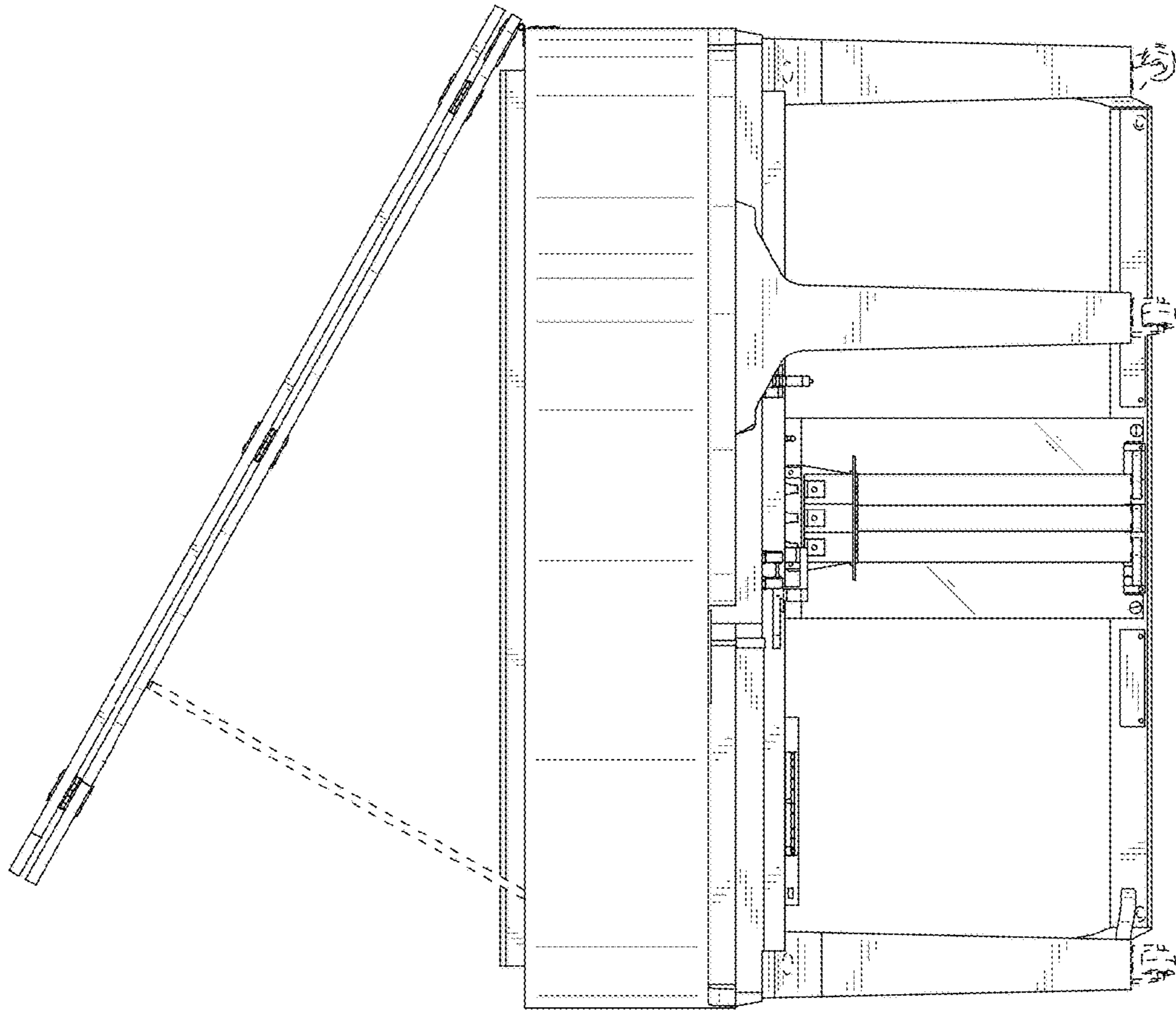


FIG. 3

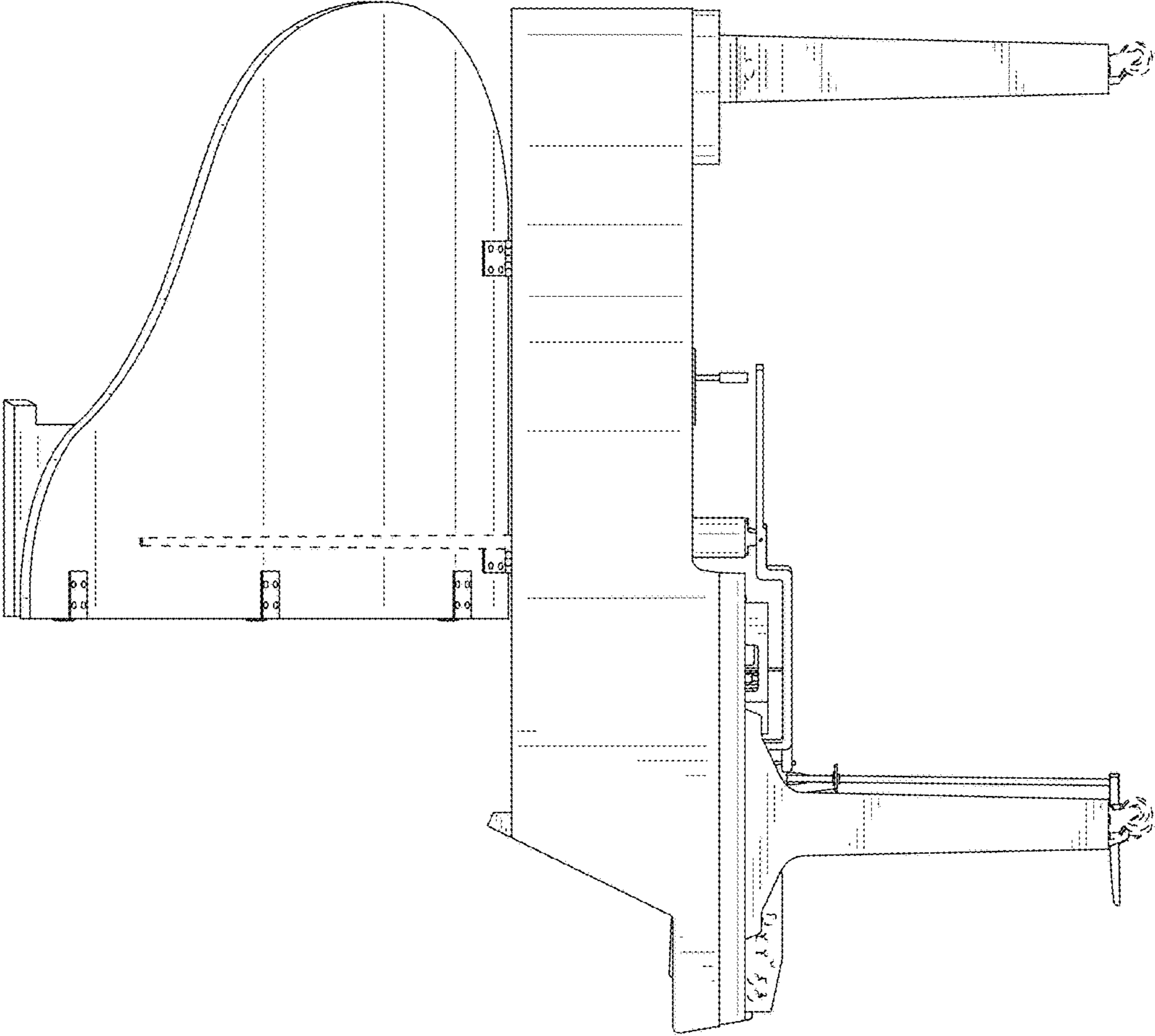


FIG. 4

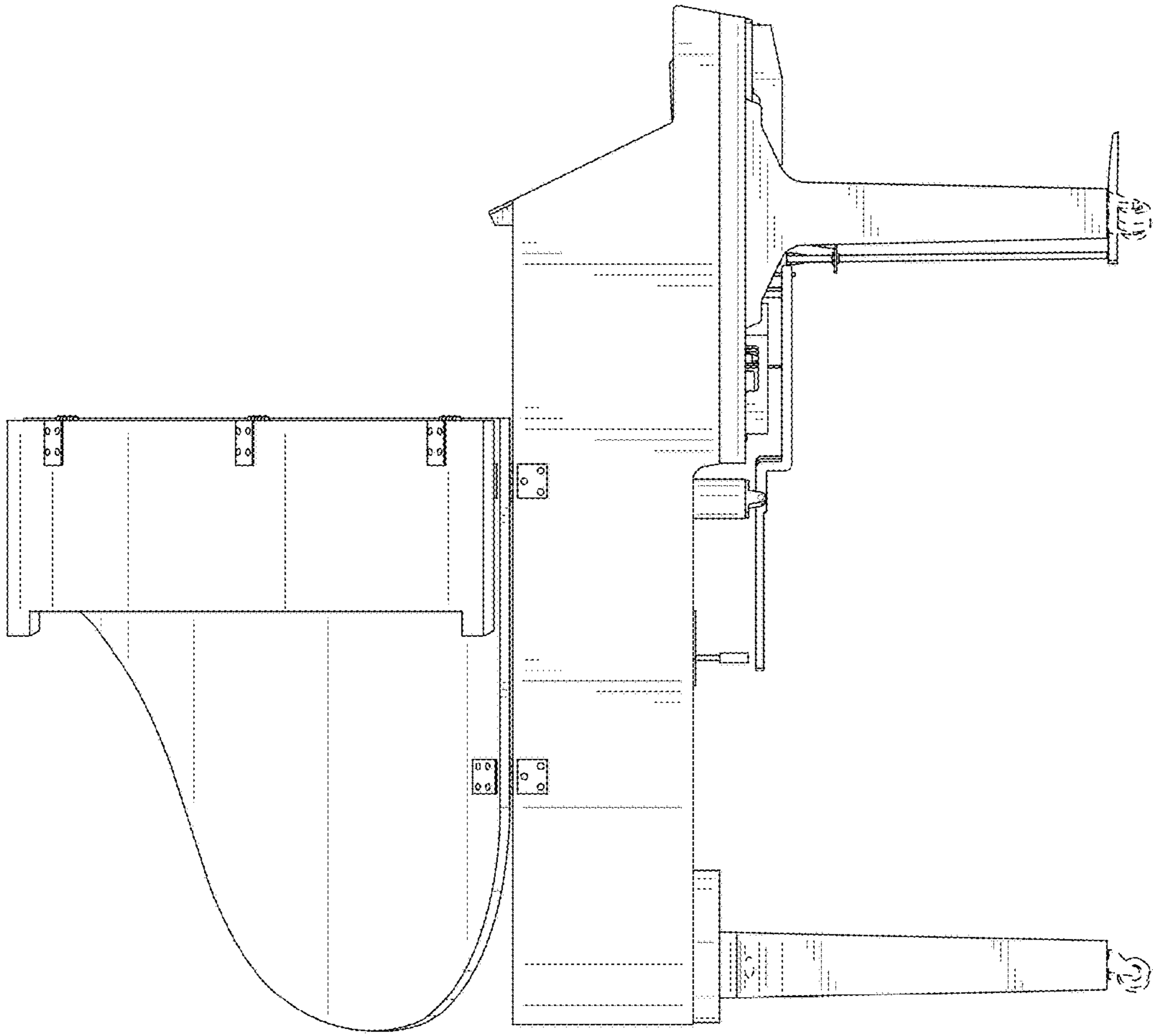


FIG. 5

