



US00D834637S

(12) **United States Design Patent** (10) **Patent No.:** **US D834,637 S**
Chalenko (45) **Date of Patent:** **** Nov. 27, 2018**

- (54) **UNIVERSAL LENS ADAPTER**
- (71) Applicant: **Vadym Chalenko**, Chicago, IL (US)
- (72) Inventor: **Vadym Chalenko**, Chicago, IL (US)
- (73) Assignee: **Beastgrip, Co.**, Des Plaines, IL (US)
- (**) Term: **15 Years**
- (21) Appl. No.: **29/550,050**
- (22) Filed: **Dec. 30, 2015**

Related U.S. Application Data

- (63) Continuation-in-part of application No. 14/844,265, filed on Sep. 3, 2015, now Pat. No. 9,435,979.
- (51) **LOC (11) Cl.** **16-05**
- (52) **U.S. Cl.**
USPC **D16/237**
- (58) **Field of Classification Search**
USPC D16/200, 204, 208, 213, 219, 235, D16/237-250; D14/250-253; D8/313, D8/349, 382, 383; D15/2-6, 138, 144; D12/162
CPC G03B 17/56; G03B 17/561-17/568; G03B 21/20; G02B 7/00-7/002; F16M 11/02; F16M 11/04; F16M 11/20; F16M 11/40
See application file for complete search history.

(56) **References Cited**

U.S. PATENT DOCUMENTS

3,527,454 A	9/1970	Humm	
4,757,374 A	7/1988	Ramsay	
5,517,363 A *	5/1996	Suzuki	G02B 7/00 359/819
7,357,518 B2	4/2008	Iinuma	
8,189,279 B2	5/2012	Chen	
8,454,246 B2	6/2013	Wood	
D692,472 S *	10/2013	Samuels	D16/136
D695,332 S *	12/2013	O'Neill	D16/237

D699,275 S *	2/2014	Samuels	D16/136
2010/0202067 A1	8/2010	Chen	
2015/0029604 A1 *	1/2015	Chalenko	G03B 17/566 359/813
2016/0131964 A1 *	5/2016	Basulto	G03B 17/563 396/420

(Continued)

OTHER PUBLICATIONS

Beastgrip Pro. [online] Published date unknown. Retrieved on Nov. 2, 2016 from <URL: <https://beastgrip.com/collections/shop-now/products/beastgrip-pro>>.*

(Continued)

Primary Examiner — Vy Koenig
Assistant Examiner — Omeed Agilee
(74) *Attorney, Agent, or Firm* — Mercedes V. O'Connor; Rockman Videbeck & O'Connor

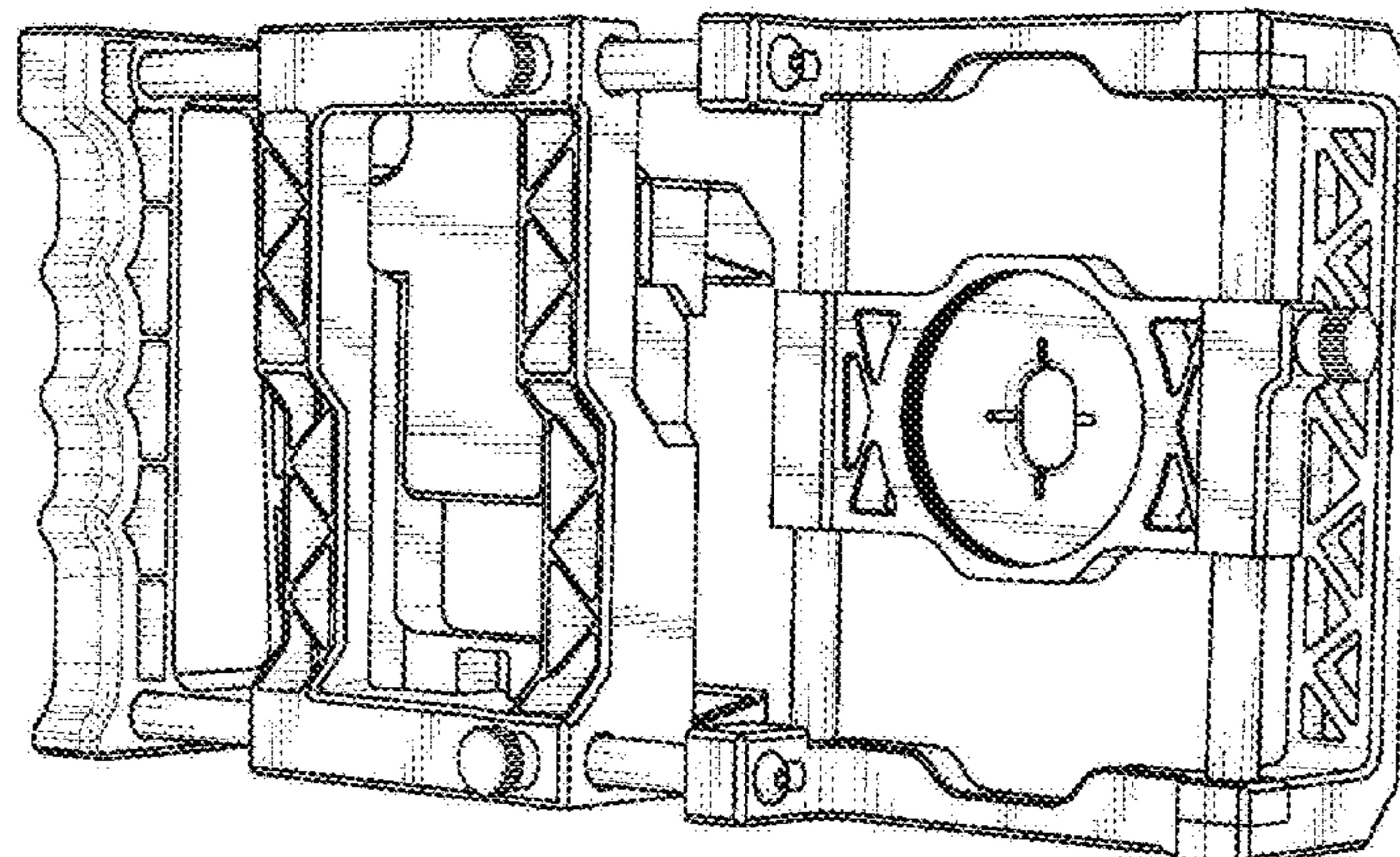
(57) **CLAIM**

The ornamental design for a universal lens adapter, as shown and described.

DESCRIPTION

FIG. 1 is a front and right perspective view of a universal lens adapter showing my new ornamental design; FIG. 2 is a rear and left perspective view thereof; FIG. 3 is a front elevational view thereof; FIG. 4 is a rear elevational view thereof; FIG. 5 is a top plan view thereof; FIG. 6 is a bottom plan view thereof; FIG. 7 is a left elevational view thereof; and, FIG. 8 is a right elevational view thereof. The material shown in FIGS. 1-8 of the drawings with dotted lines does not form part of the design of the disclosed universal lens adapter, but is included to show unclaimed features with which the subject inventive designs may be utilized.

1 Claim, 8 Drawing Sheets



(56)

References Cited

U.S. PATENT DOCUMENTS

2016/0131965 A1* 5/2016 Chalenko G03B 17/566
359/812

OTHER PUBLICATIONS

Beastgrip Pro User Guide (beastgrip.com) Mar. 10, 2015 (Mar. 10, 2015) [online], [retrieved from internet on Feb. 29, 2016] <URL:https://web.archive.org/web/20150310115750/http://beastgrip.com/pages/user-guide > entire document especially pp. 1-7.

* cited by examiner

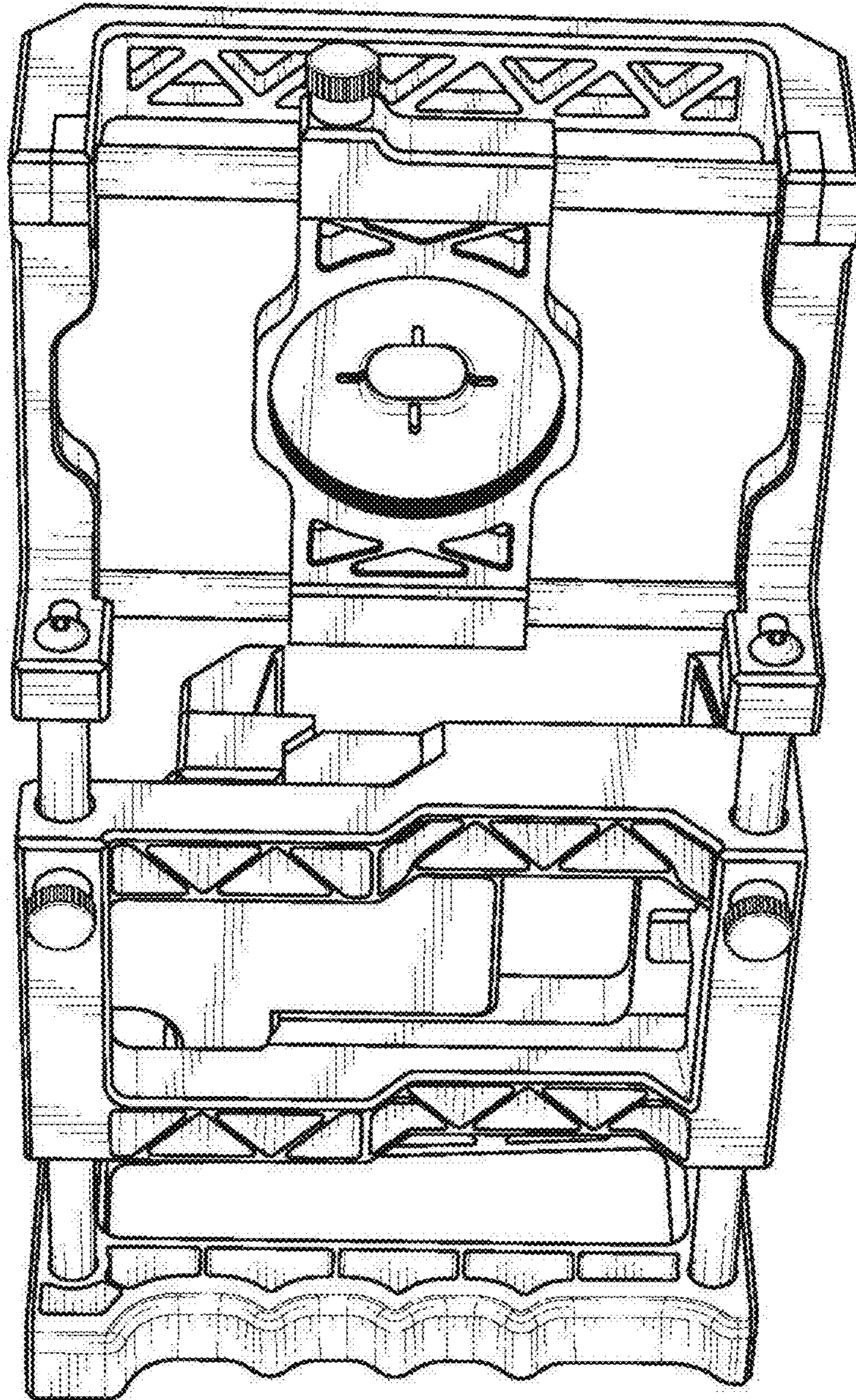


FIG. 1

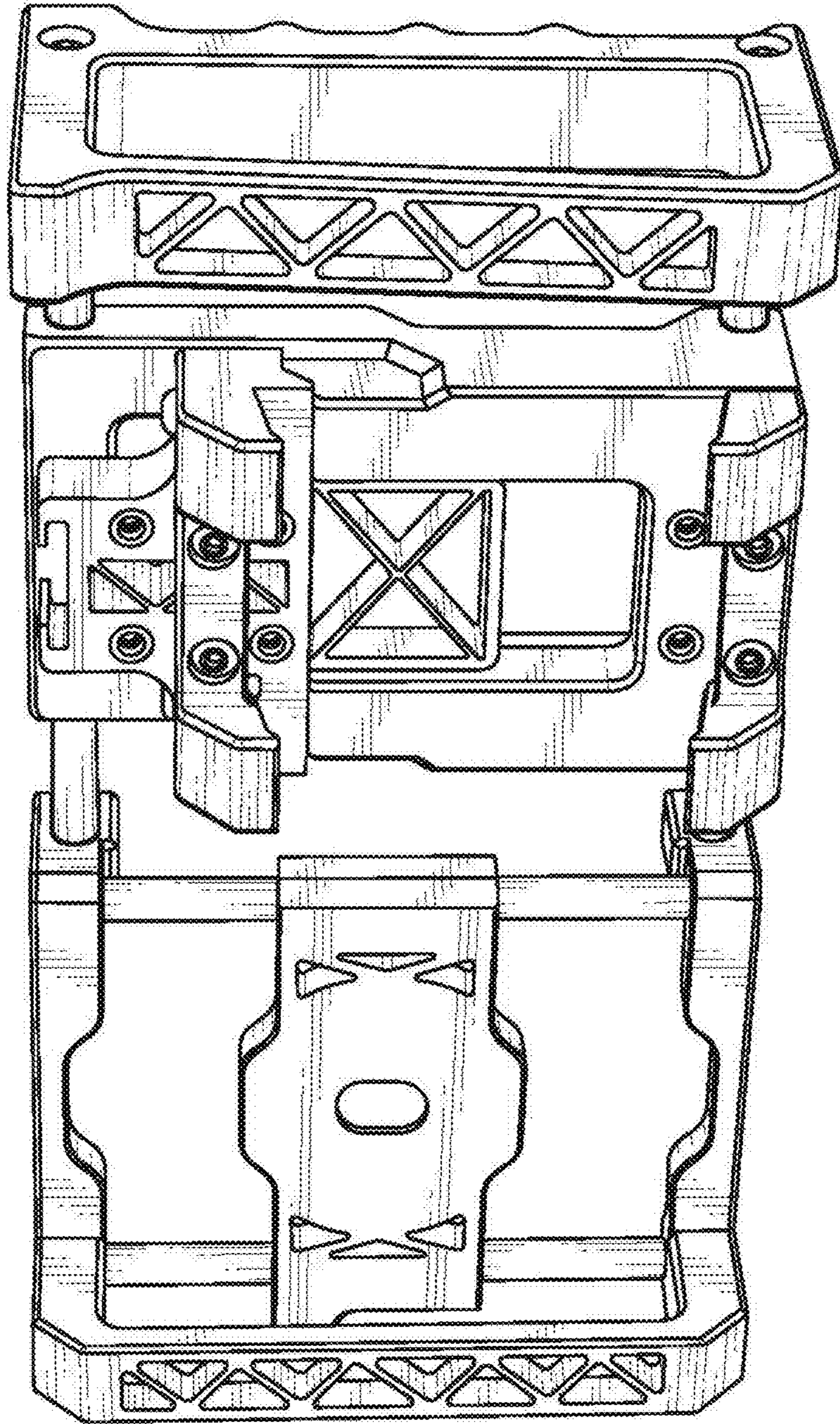


FIG. 2

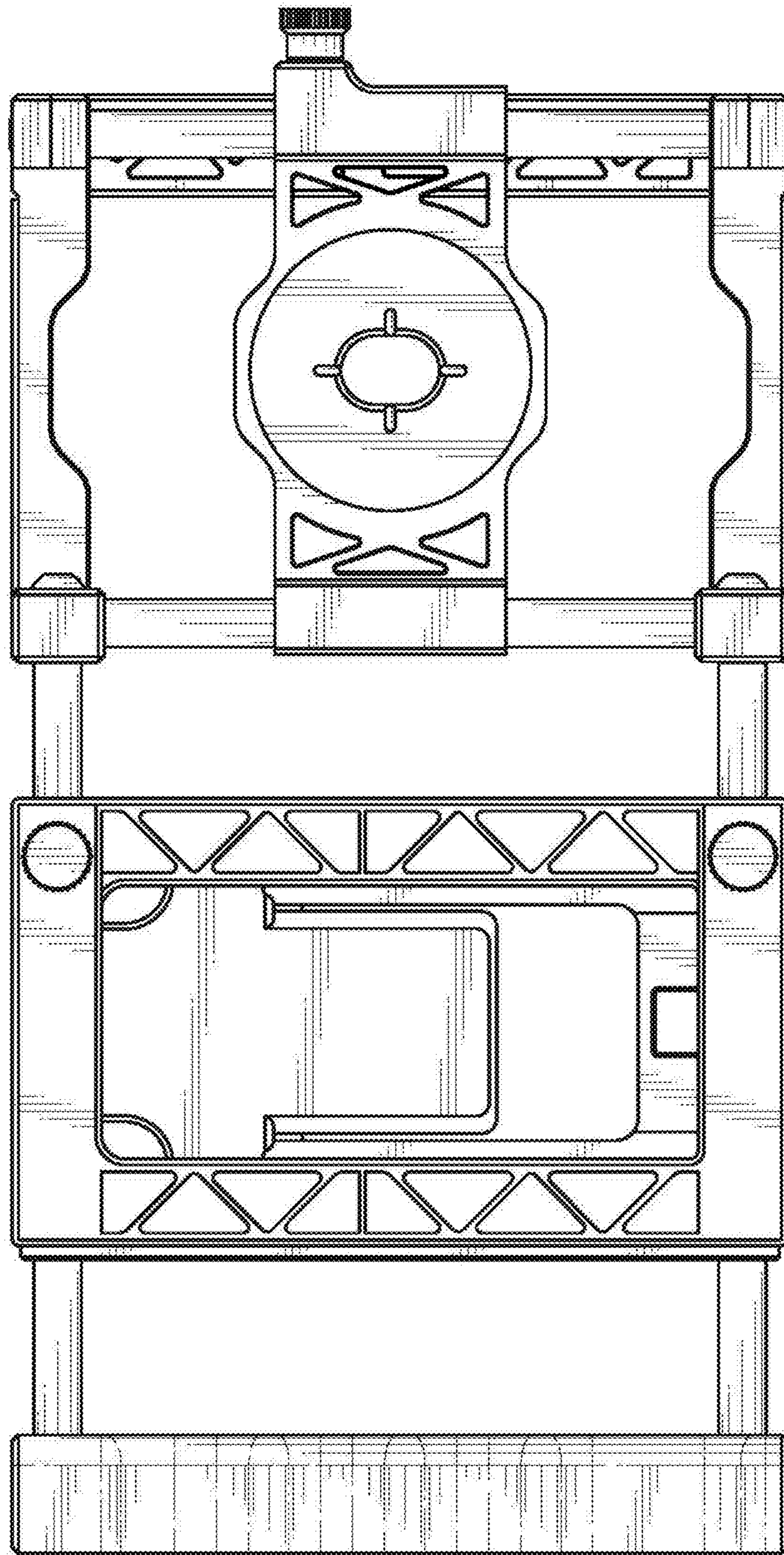


FIG. 3

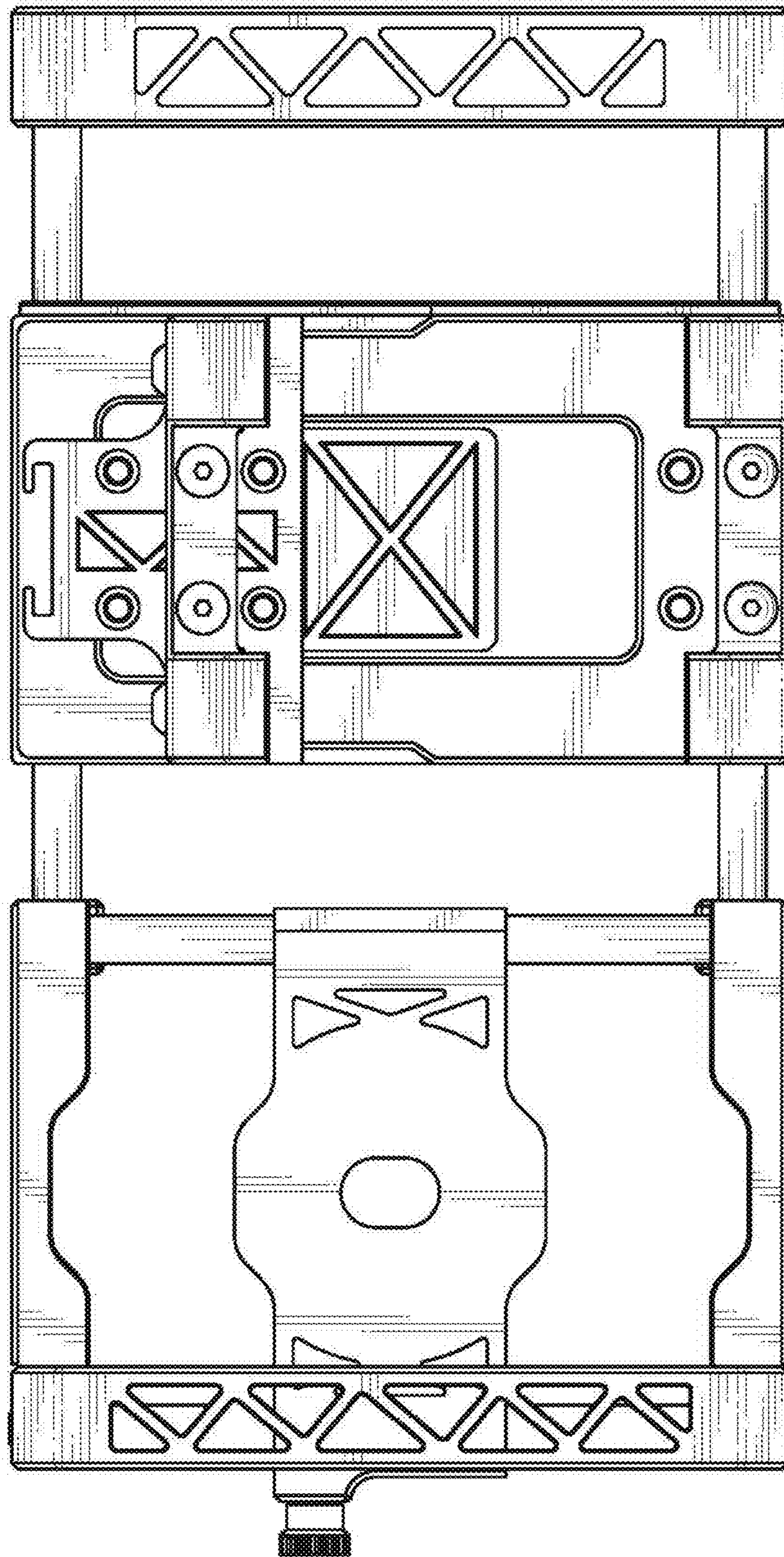


FIG. 4

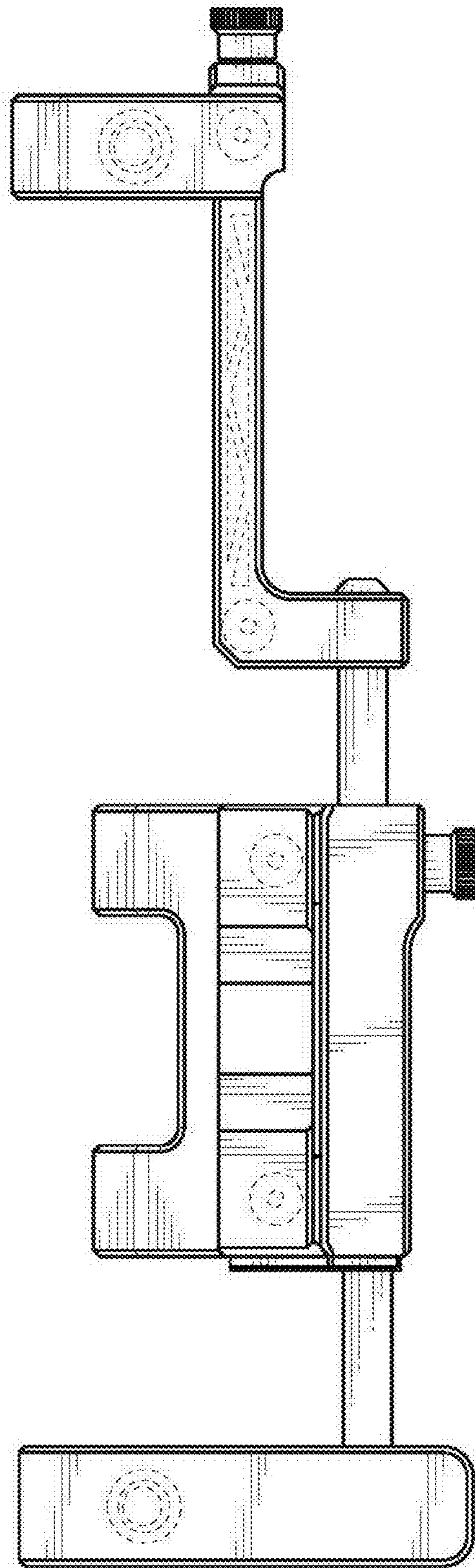


FIG. 5

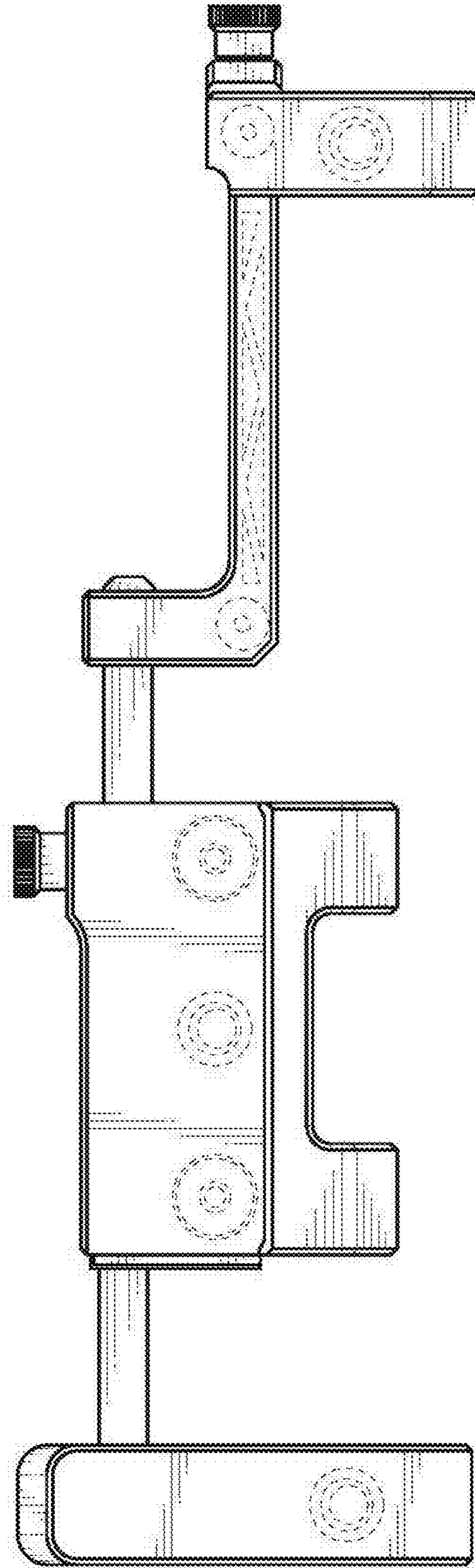


FIG. 6

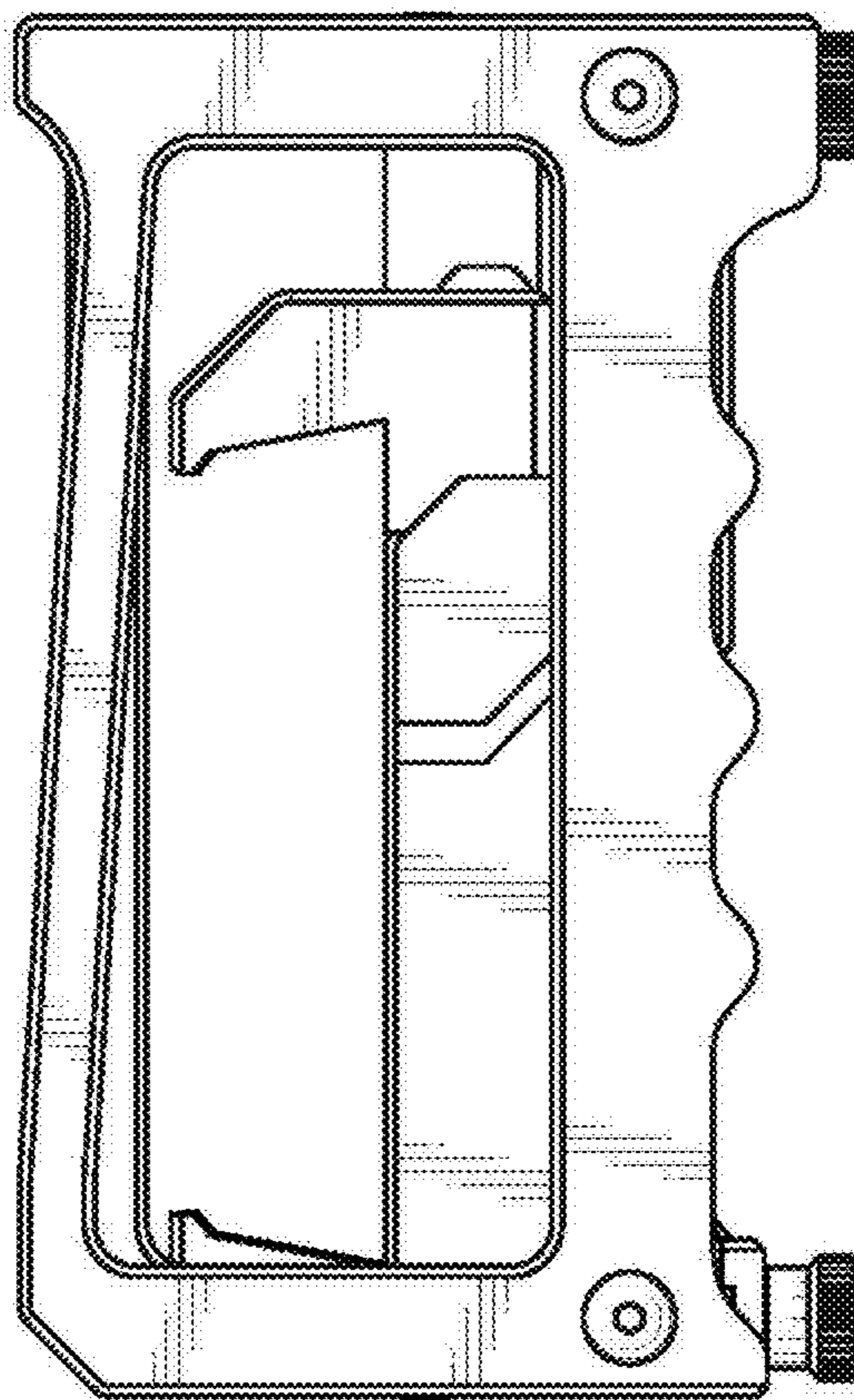


FIG. 7

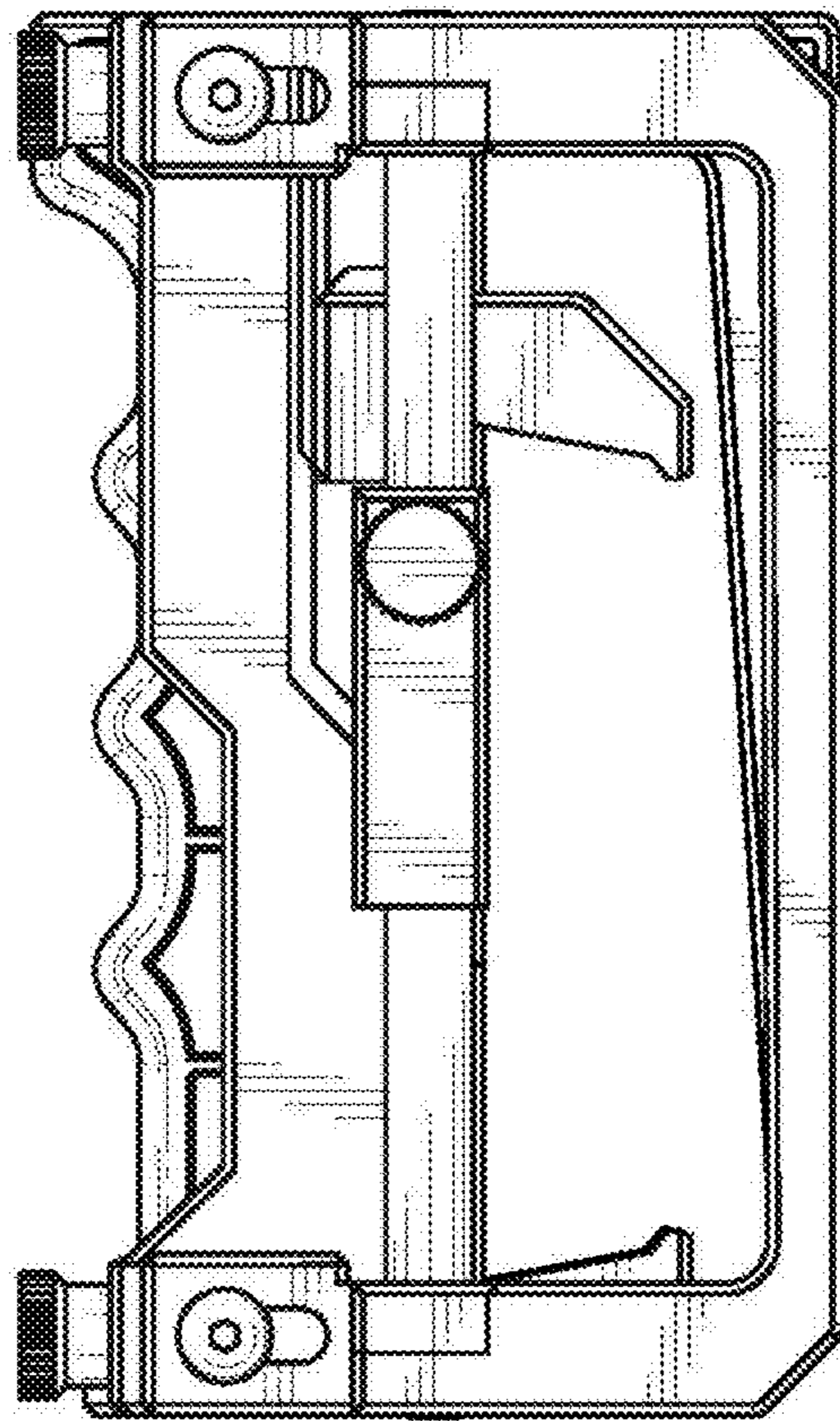


FIG. 8