



US00D834636S

(12) **United States Design Patent**
Gan

(10) **Patent No.:** **US D834,636 S**

(45) **Date of Patent:** **** Nov. 27, 2018**

(54) **PROJECTOR**

(71) Applicant: **Shenzhen Valuelink E-Commerce Co.,Ltd.**, Shenzhen (CN)

(72) Inventor: **Qing-Cao Gan**, Shenzhen (CN)

(73) Assignee: **Shenzhen Valuelink E-Commerce Co., Ltd.**, Shenzhen (CN)

(**) Term: **15 Years**

(21) Appl. No.: **29/630,023**

(22) Filed: **Dec. 19, 2017**

(51) **LOC (11) Cl.** **16-02**

(52) **U.S. Cl.**

USPC **D16/230**

(58) **Field of Classification Search**

USPC D16/221, 225, 230–231, 234; D21/514

CPC G03B 21/145; G03B 21/14; G03B 21/12;

G03B 21/16; G03B 21/00; G03B 21/001;

G03B 21/003

See application file for complete search history.

(56) **References Cited**

U.S. PATENT DOCUMENTS

D548,263 S * 8/2007 Nakanishi D16/221

D588,620 S * 3/2009 Kawabe D16/225

D655,329 S * 3/2012 Nakanishi D16/225

D671,159 S * 11/2012 Azuma D16/230

D806,776 S * 1/2018 Yoshimura D16/230

* cited by examiner

Primary Examiner — Wan Laymon

(74) *Attorney, Agent, or Firm* — ScienBiziP, P.C.

(57) **CLAIM**

The ornamental design for a projector, as shown and described.

DESCRIPTION

FIG. 1 is a first perspective view of a projector showing the claimed new design;

FIG. 2 is a second perspective view of the projector of FIG. 1;

FIG. 3 is a front elevational view of the projector of FIG. 1;

FIG. 4 is a rear elevational view of the projector of FIG. 1;

FIG. 5 is a left side elevational view of the projector of FIG. 1;

FIG. 6 is a right side elevational view of the projector of FIG. 1;

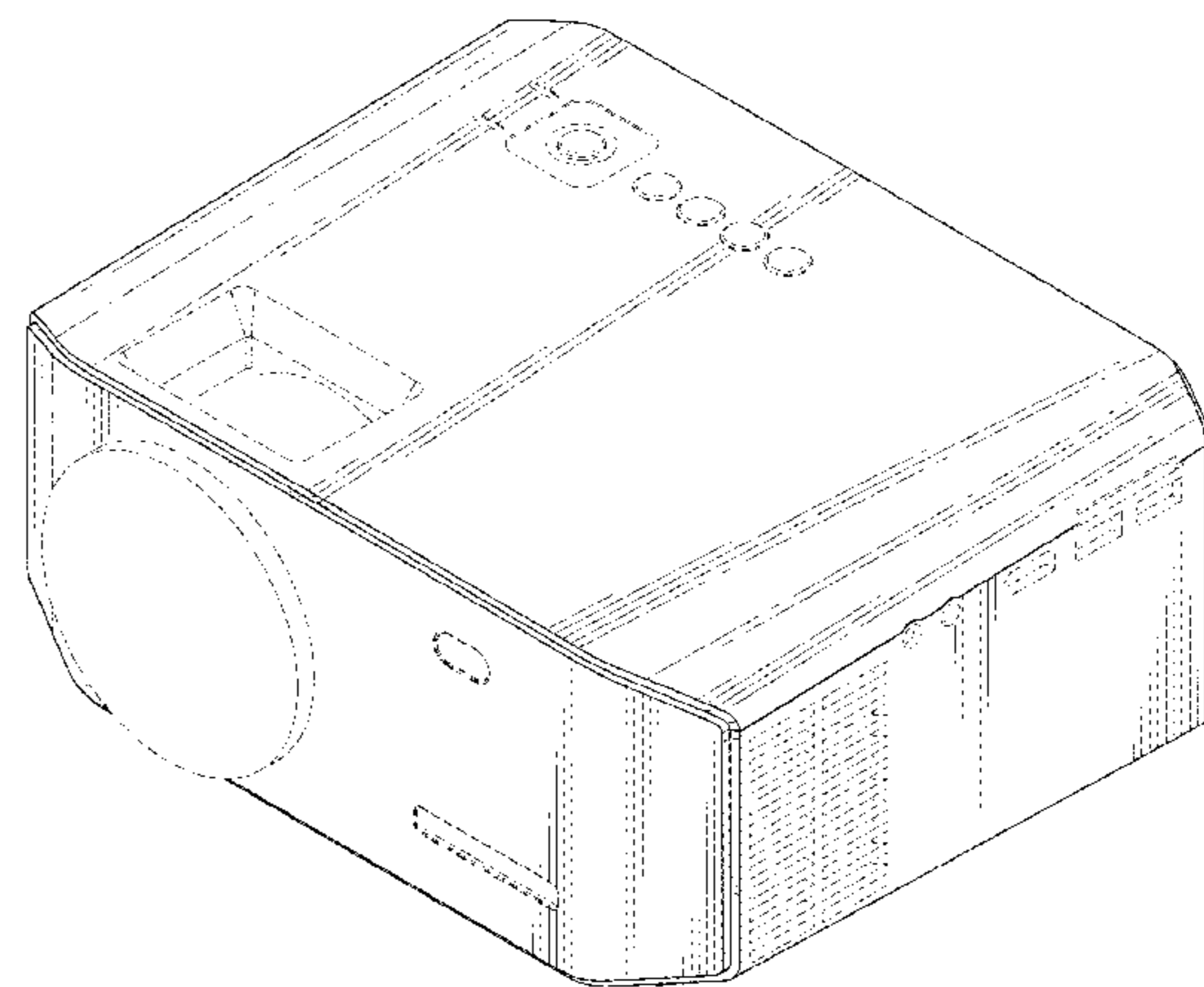
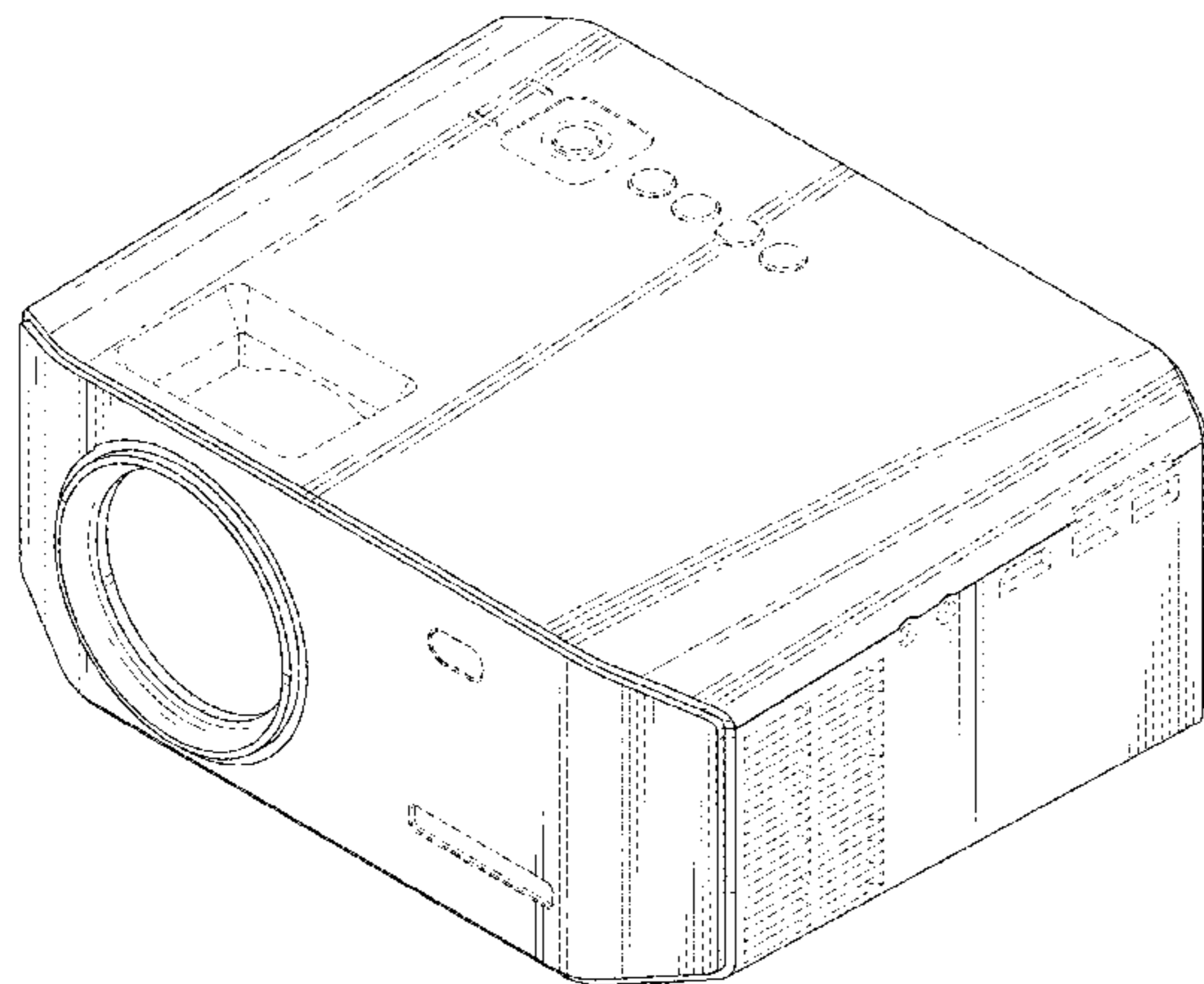
FIG. 7 is a top plan view of the projector of FIG. 1;

FIG. 8 is a bottom plan view of the projector of FIG. 1; and,

FIG. 9 is a perspective view of the projector of FIG. 1 in an environment in which it may be used.

The broken lines in the drawings depict portions of the projector that form no part of the claimed design. The broken lines and unshaded regions bounded by broken lines form no part of the claimed design.

1 Claim, 9 Drawing Sheets



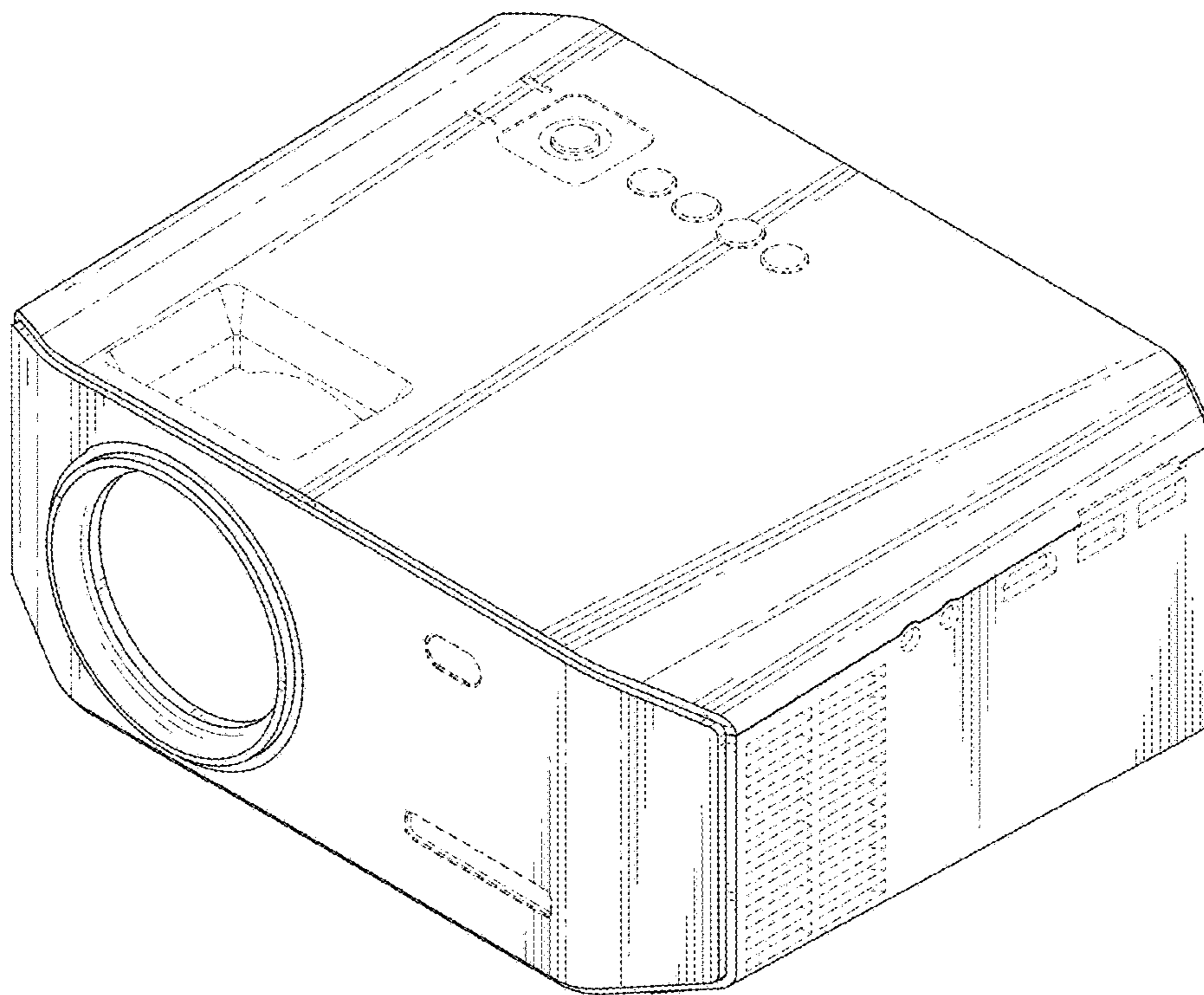


FIG. 1

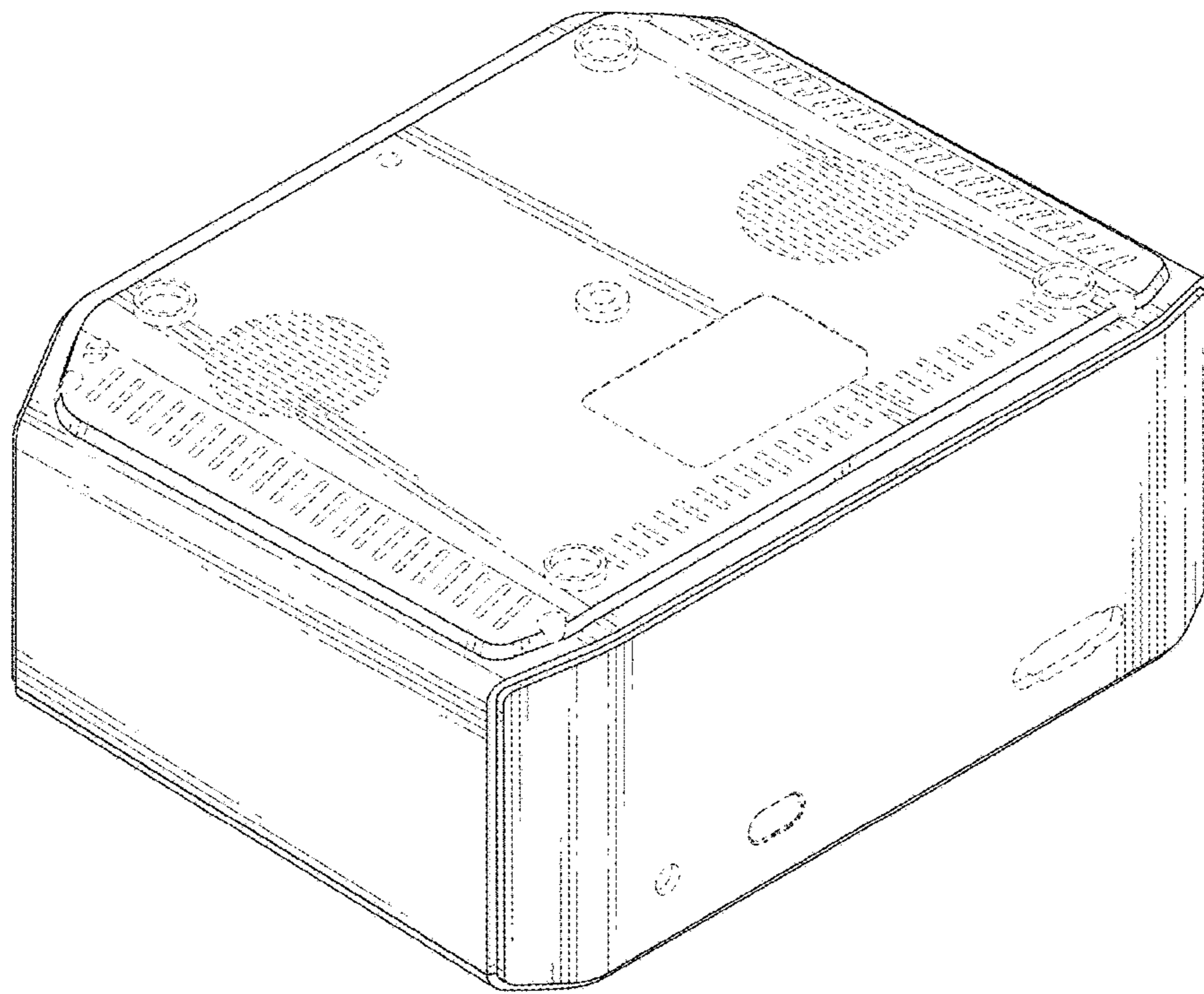


FIG. 2

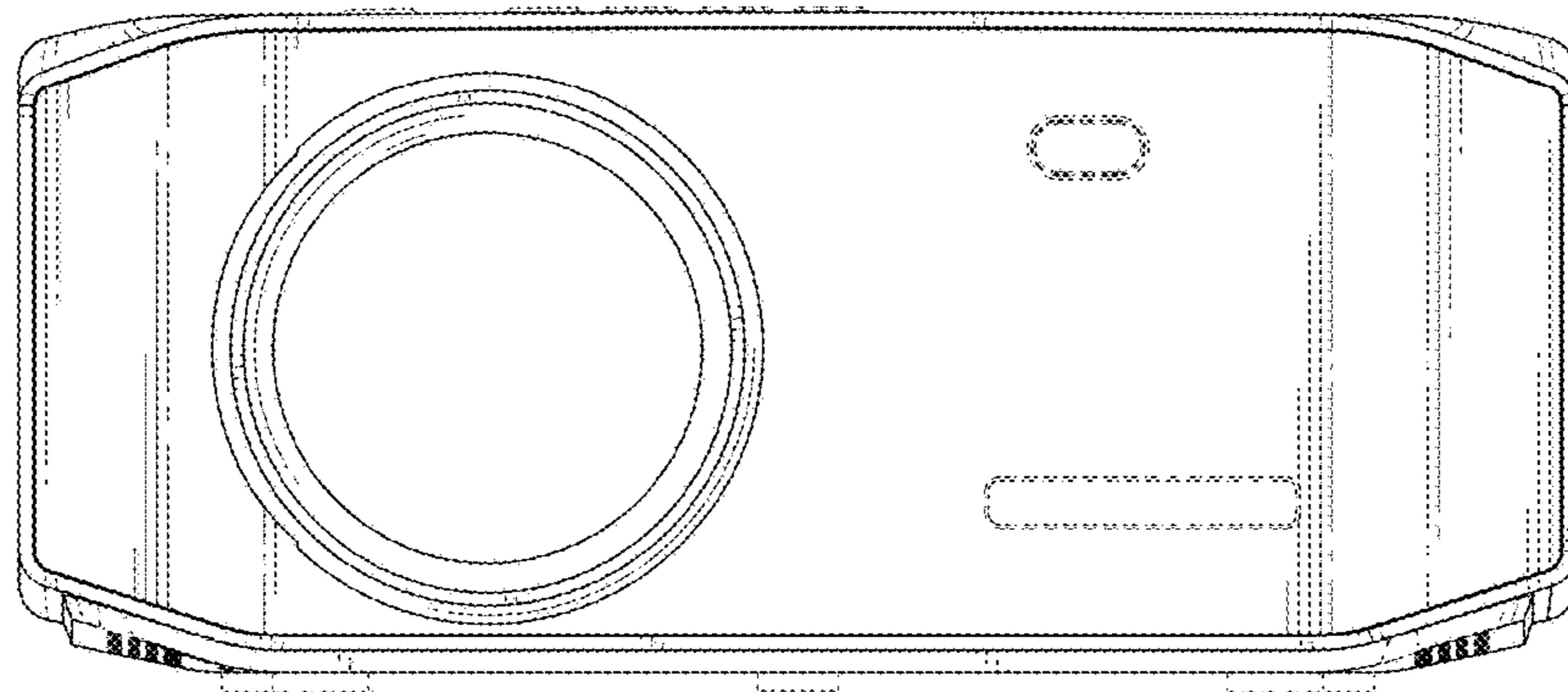


FIG. 3

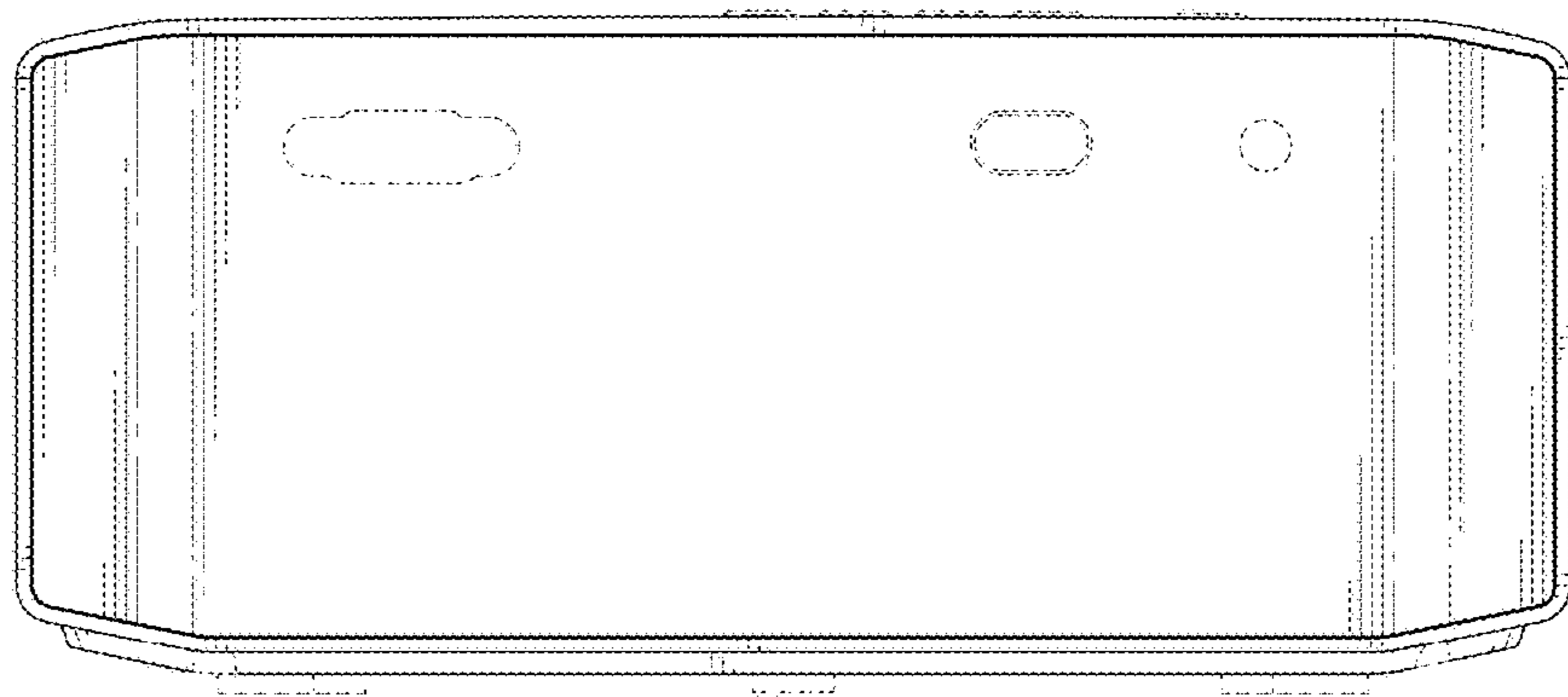


FIG. 4

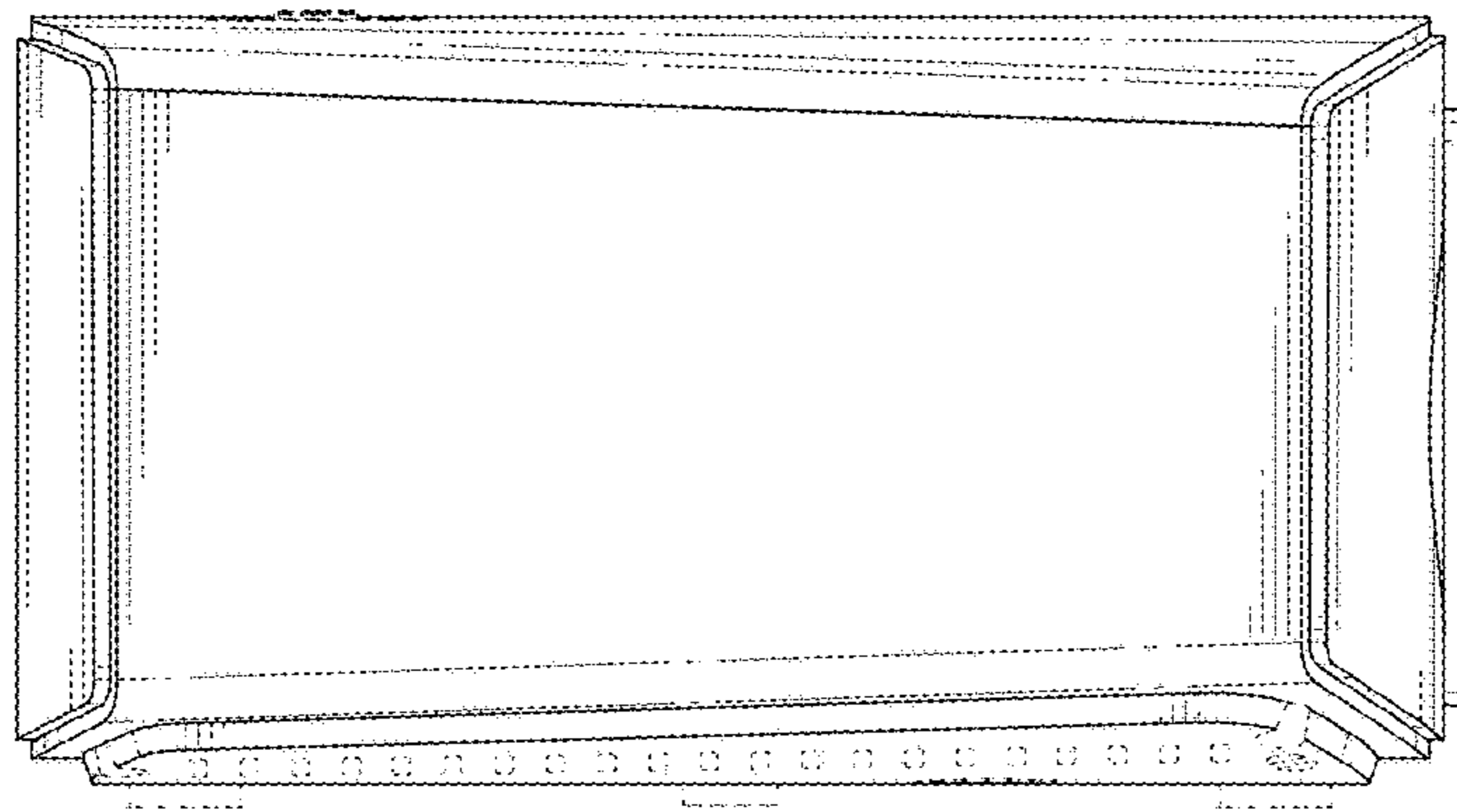


FIG. 5

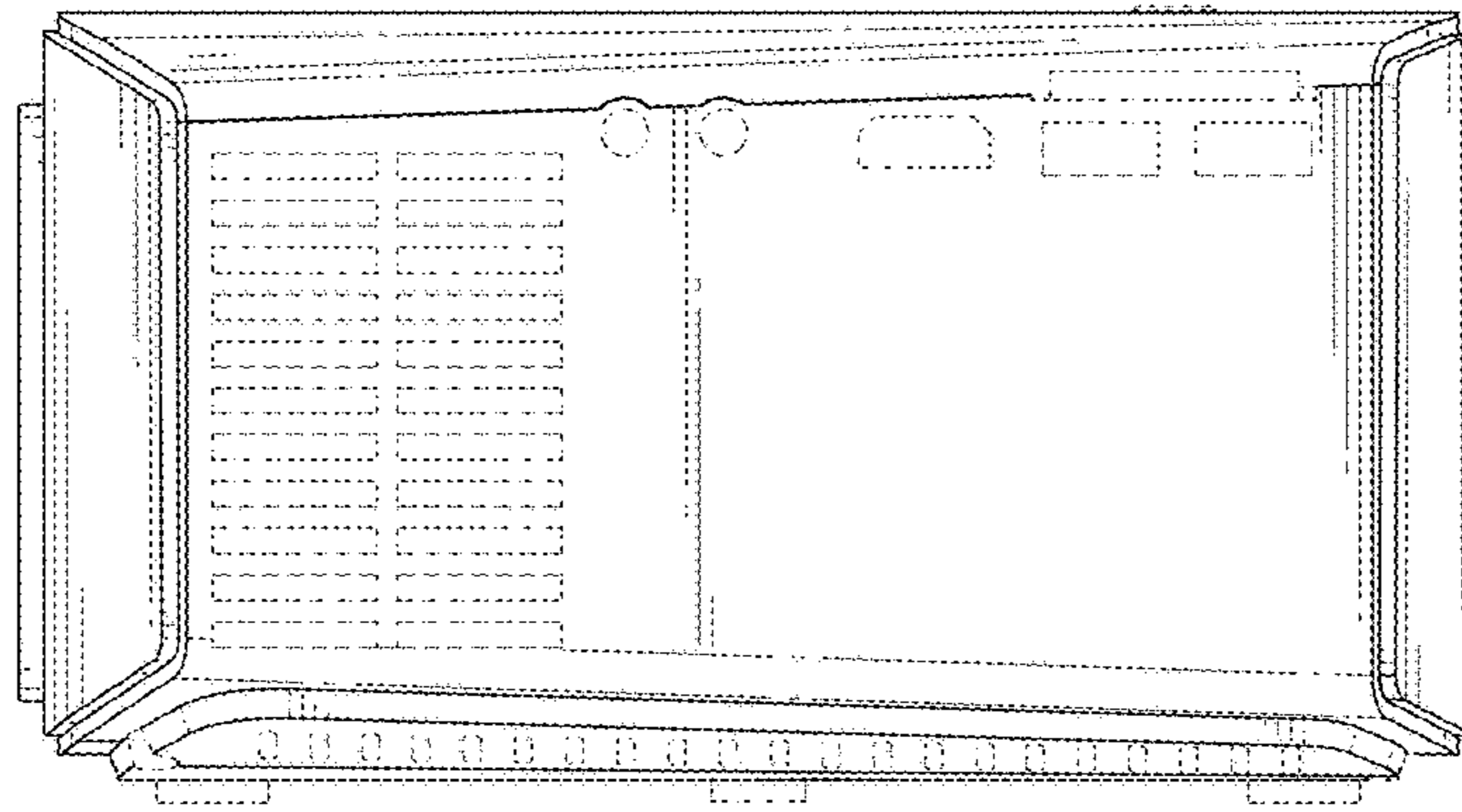


FIG. 6

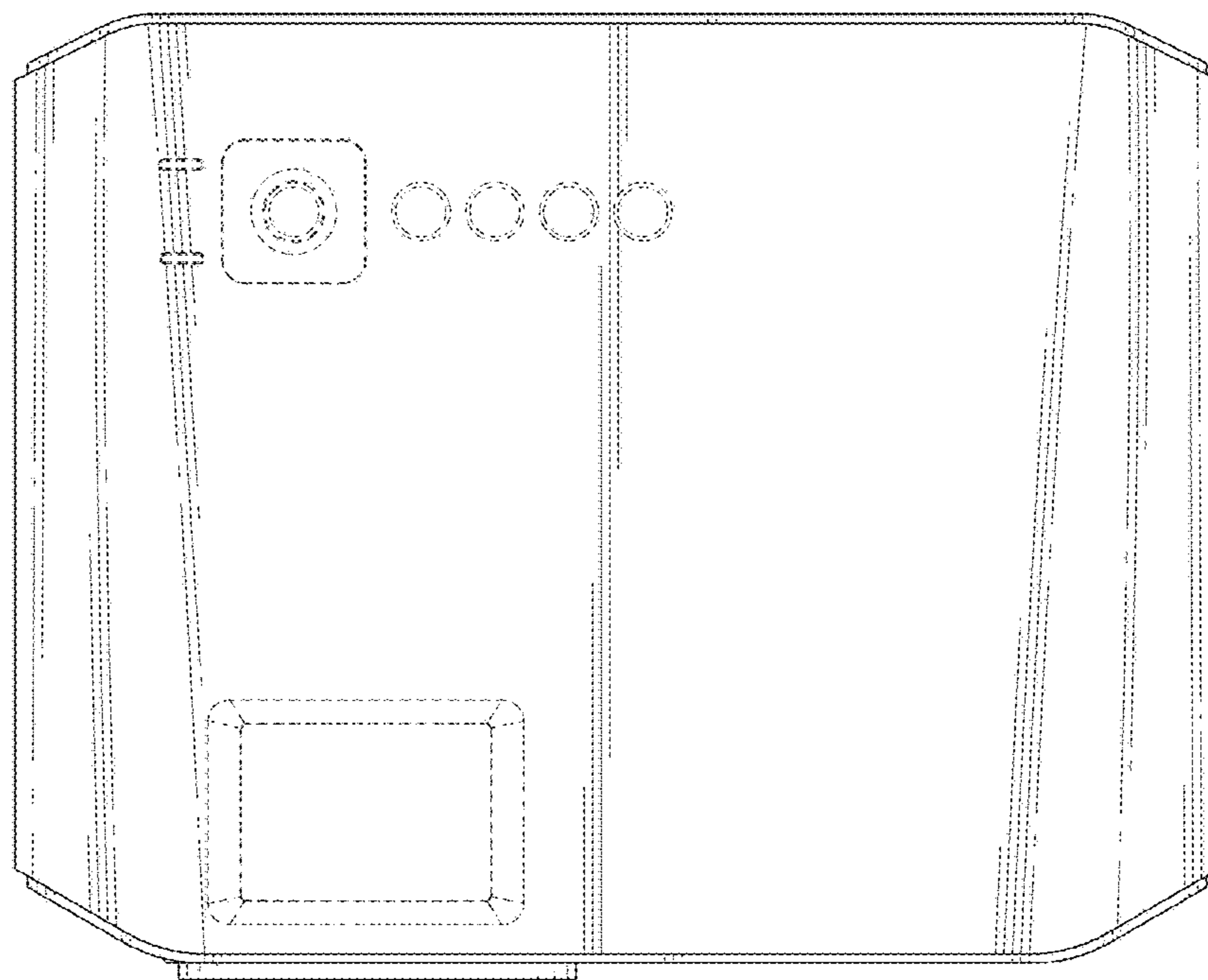


FIG. 7

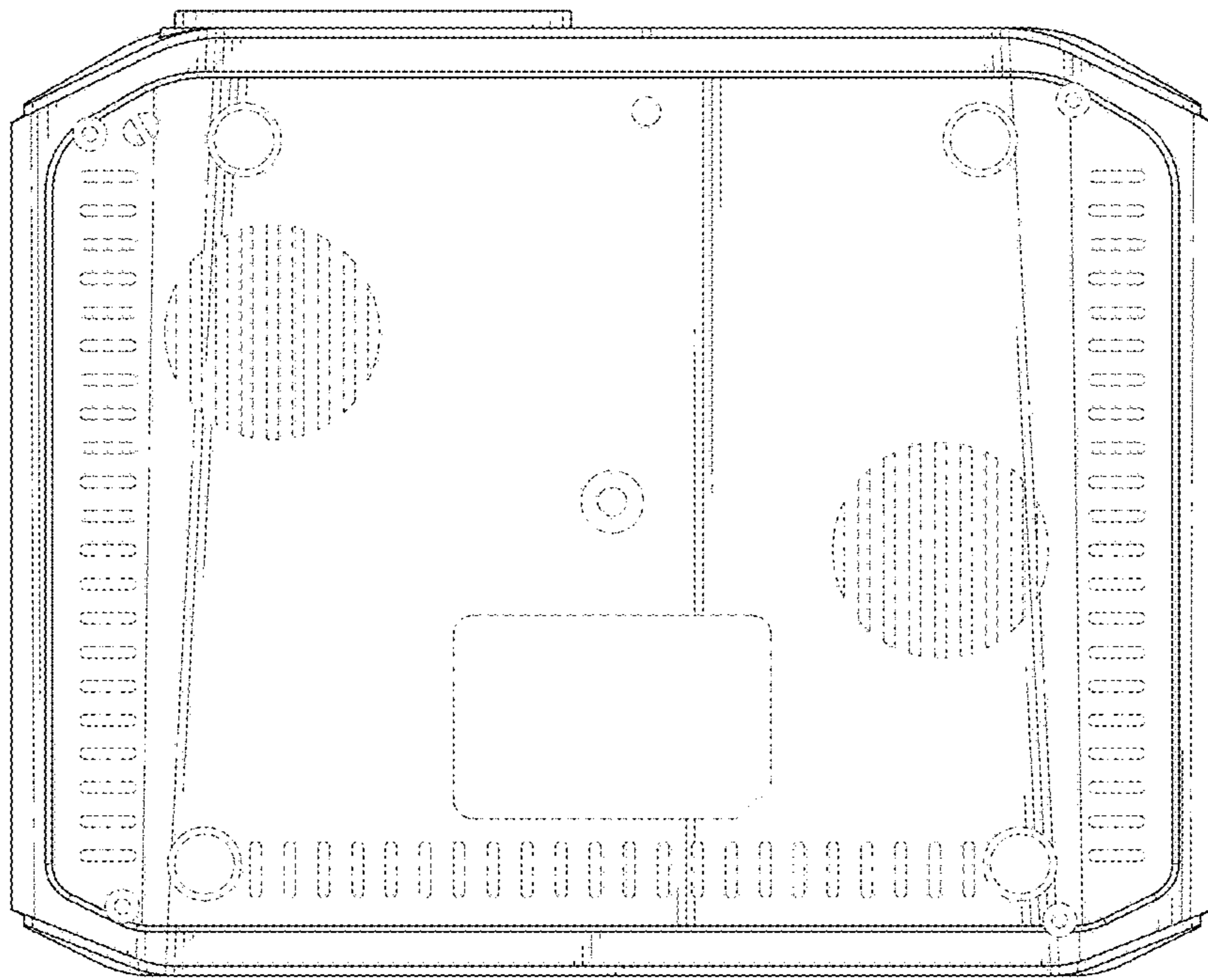


FIG. 8

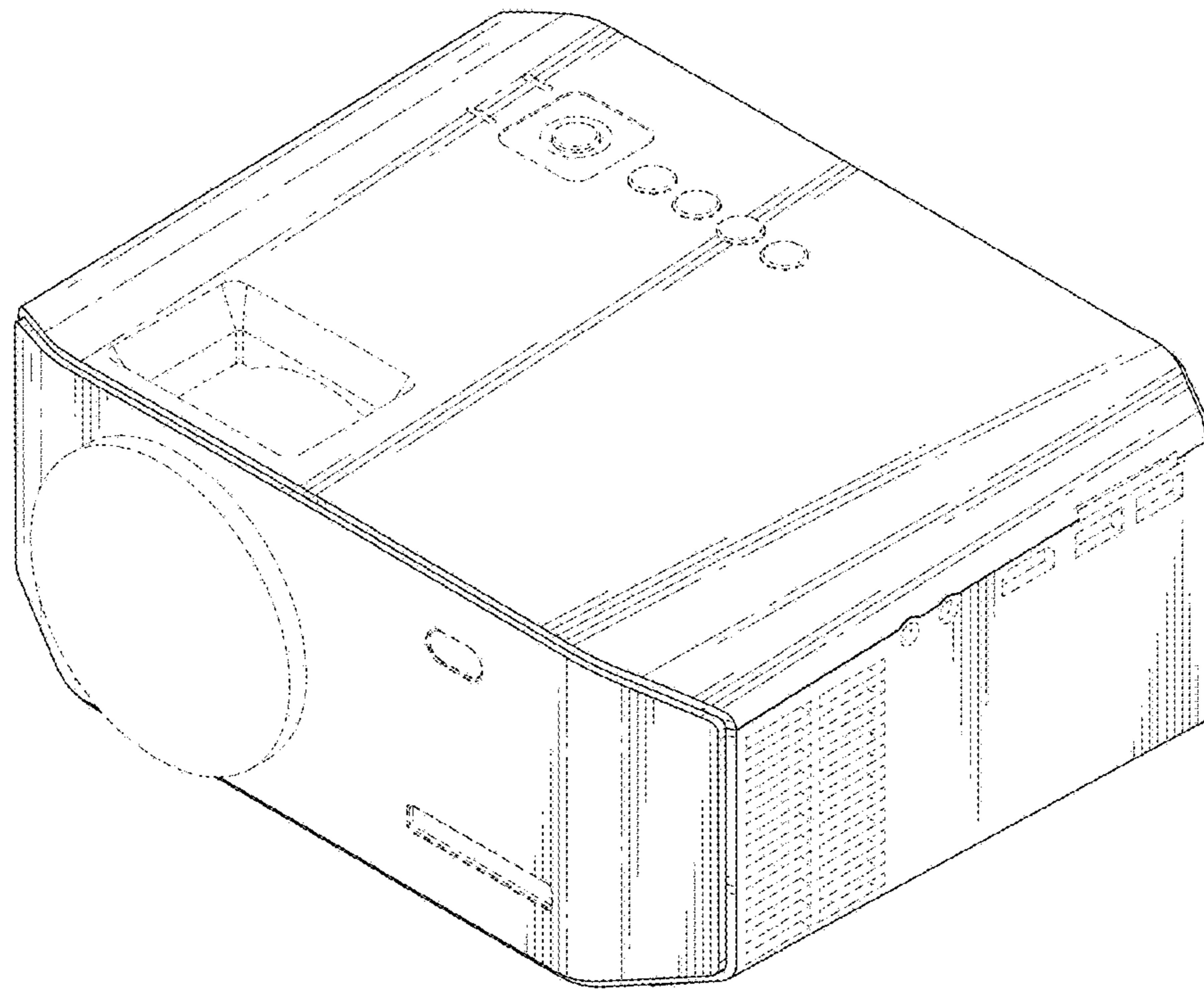


FIG. 9