



US00D834635S

(12) **United States Design Patent**
He

(10) **Patent No.:** **US D834,635 S**

(45) **Date of Patent:** **** Nov. 27, 2018**

- (54) **MINI PROJECTOR**
- (71) Applicant: **Gangqiang He**, Shenzhen (CN)
- (72) Inventor: **Gangqiang He**, Shenzhen (CN)
- (73) Assignee: **SHENZHEN TOPICO TECHNOLOGY CO., LTD.**, Shenzhen (CN)
- (**) Term: **15 Years**
- (21) Appl. No.: **29/625,522**
- (22) Filed: **Nov. 10, 2017**
- (51) **LOC (11) Cl.** **16-02**
- (52) **U.S. Cl.**
USPC **D16/230**
- (58) **Field of Classification Search**
USPC D16/221, 225, 230–231, 234; D21/514
CPC G03B 21/145; G03B 21/14; G03B 21/12;
G03B 21/16; G03B 21/00; G03B 21/001;
G03B 21/003
See application file for complete search history.

- 8,794,771 B2 * 8/2014 Kimura G03B 21/14
353/119
- D722,099 S * 2/2015 Lee D16/225
- D768,227 S * 10/2016 Lee D16/230
- D813,933 S * 3/2018 Bukhovtsev D16/230

FOREIGN PATENT DOCUMENTS

CN 304197859 * 1/2017

* cited by examiner

Primary Examiner — Wan Laymon

(74) *Attorney, Agent, or Firm* — Law Offices of Stevn W. Weinrieb

(57) **CLAIM**

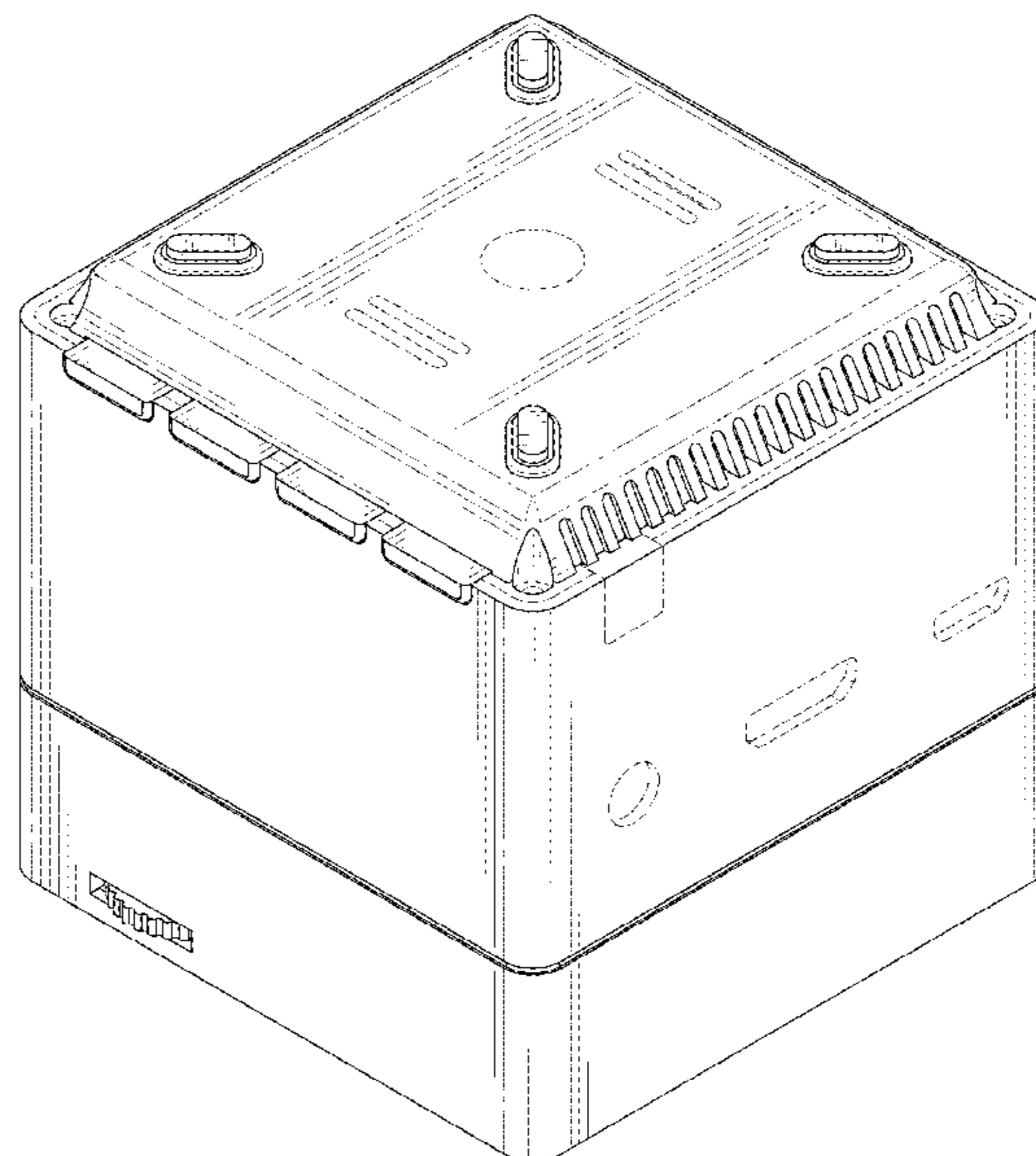
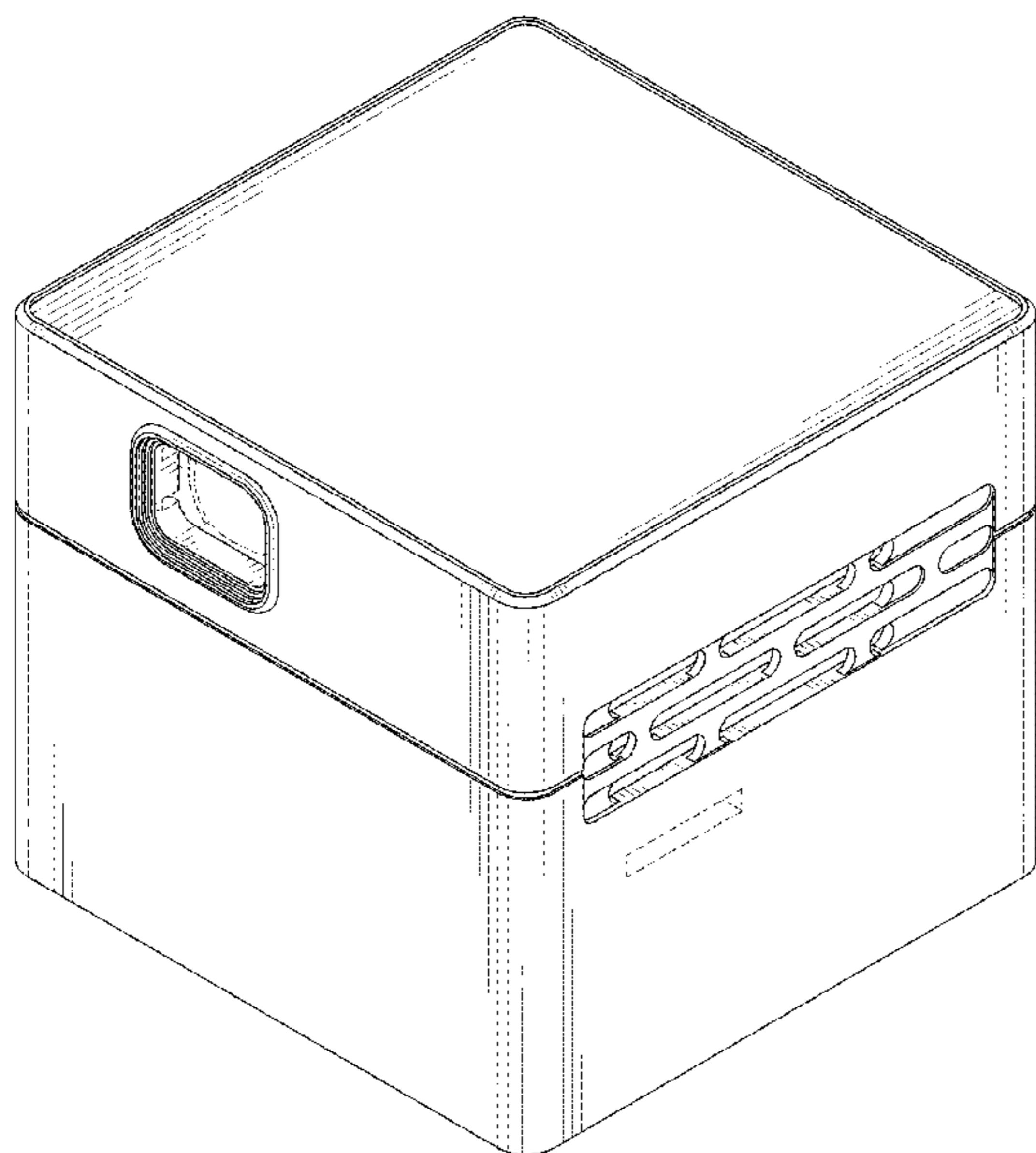
The ornamental design for a mini projector, as shown and described.

DESCRIPTION

FIG. 1 is a front right side top perspective view of the mini projector showing my new design;
 FIG. 2 is a rear left side bottom perspective view thereof;
 FIG. 3 is a front elevational view thereof;
 FIG. 4 is a rear elevational view thereof;
 FIG. 5 is a left side elevational view thereof;
 FIG. 6 is a right side elevational view thereof.
 FIG. 7 is a top plan view thereof; and,
 FIG. 8 is a bottom plan view thereof.
 The broken line showing in the drawings is included for the purpose of illustrating portions of the mini projector and forms no part of the claimed design.

1 Claim, 8 Drawing Sheets

- (56) **References Cited**
U.S. PATENT DOCUMENTS
- 7,144,122 B2 * 12/2006 Sakurai G03B 21/145
353/119
- 7,246,908 B2 * 7/2007 Salvatori G03B 21/145
348/E5.143
- 7,354,161 B2 * 4/2008 Kuroda G03B 21/145
348/E5.143
- 8,303,121 B2 * 11/2012 Nagaharu G03B 21/14
353/119



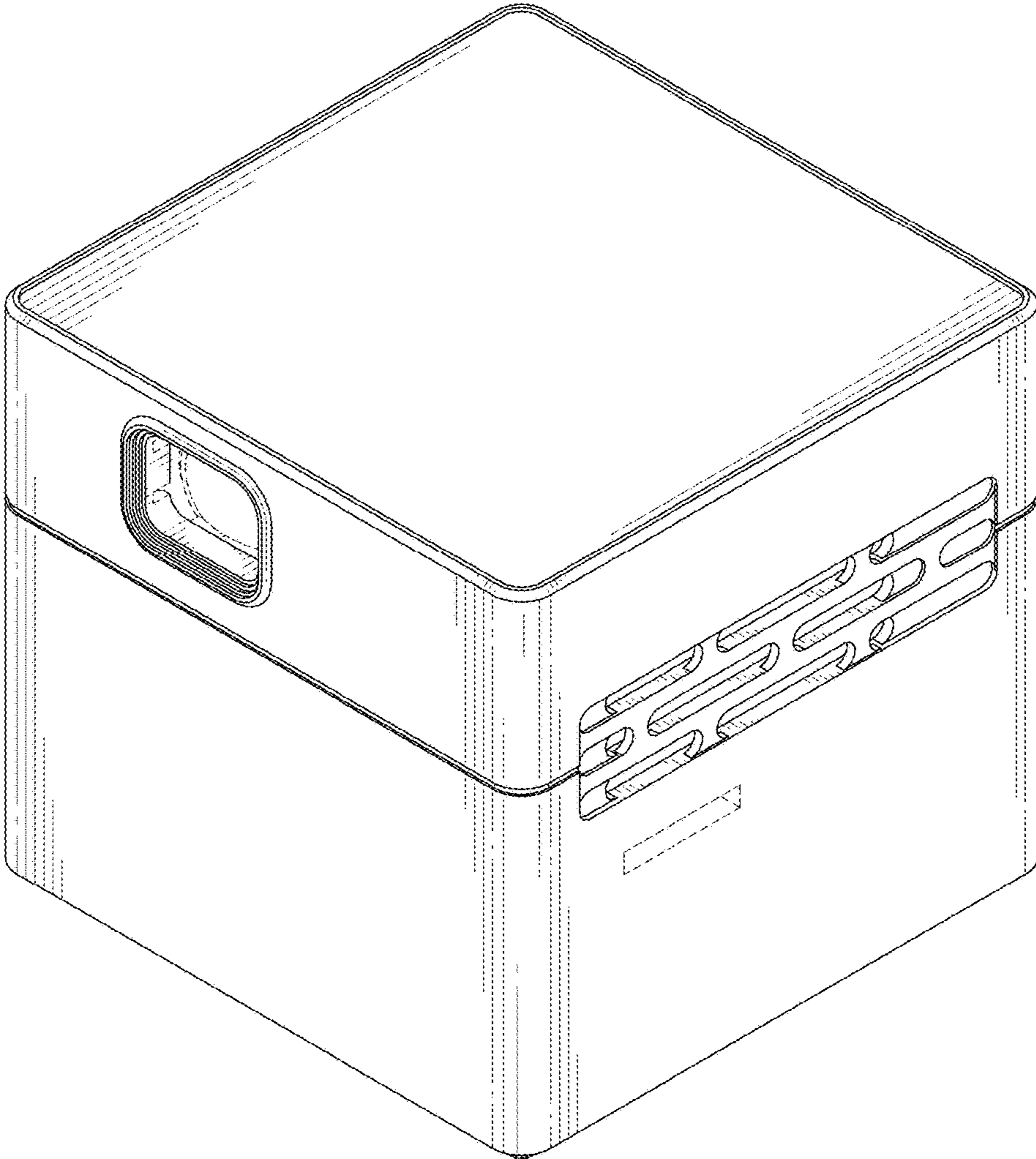


FIG. 1

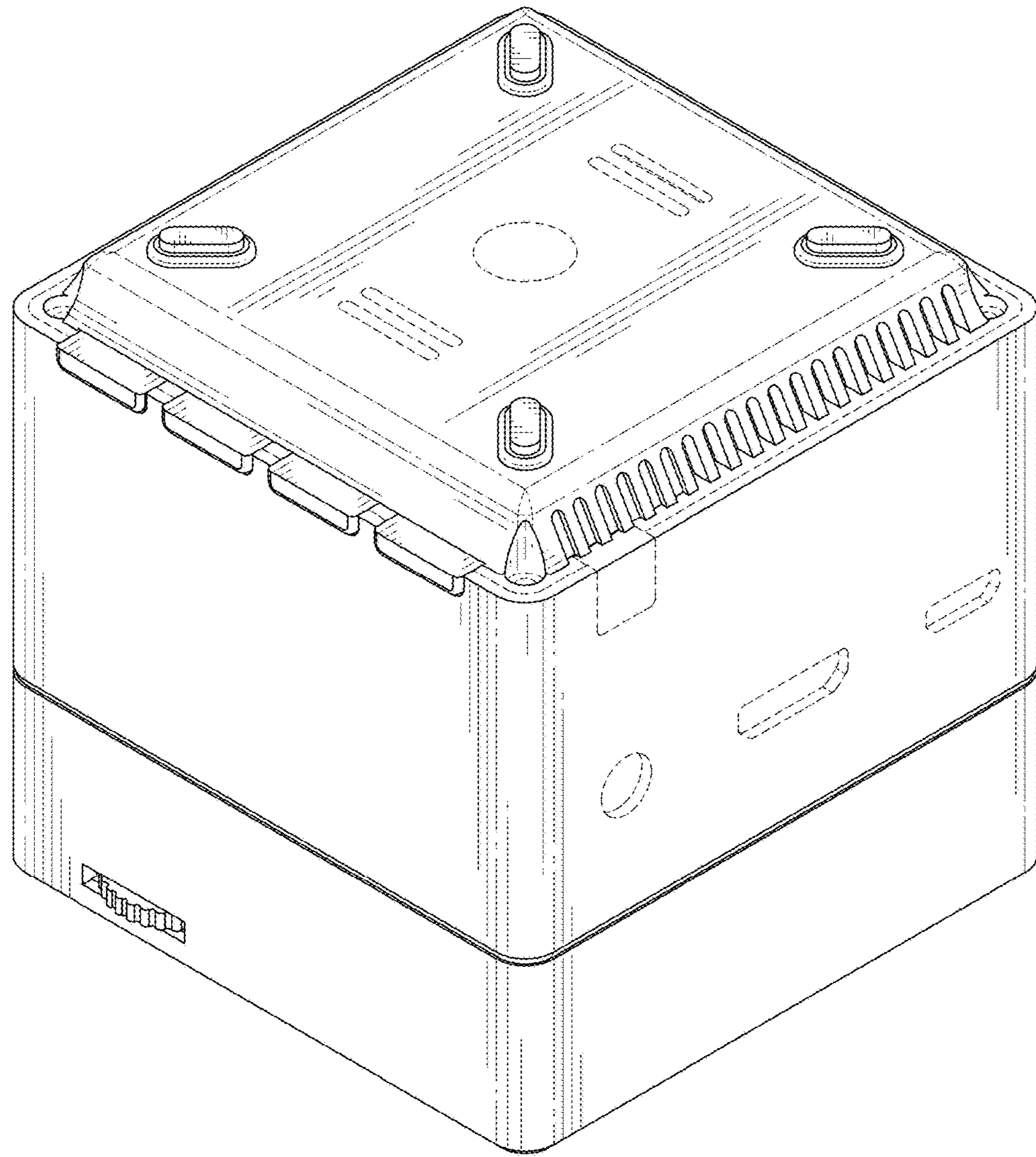


FIG. 2

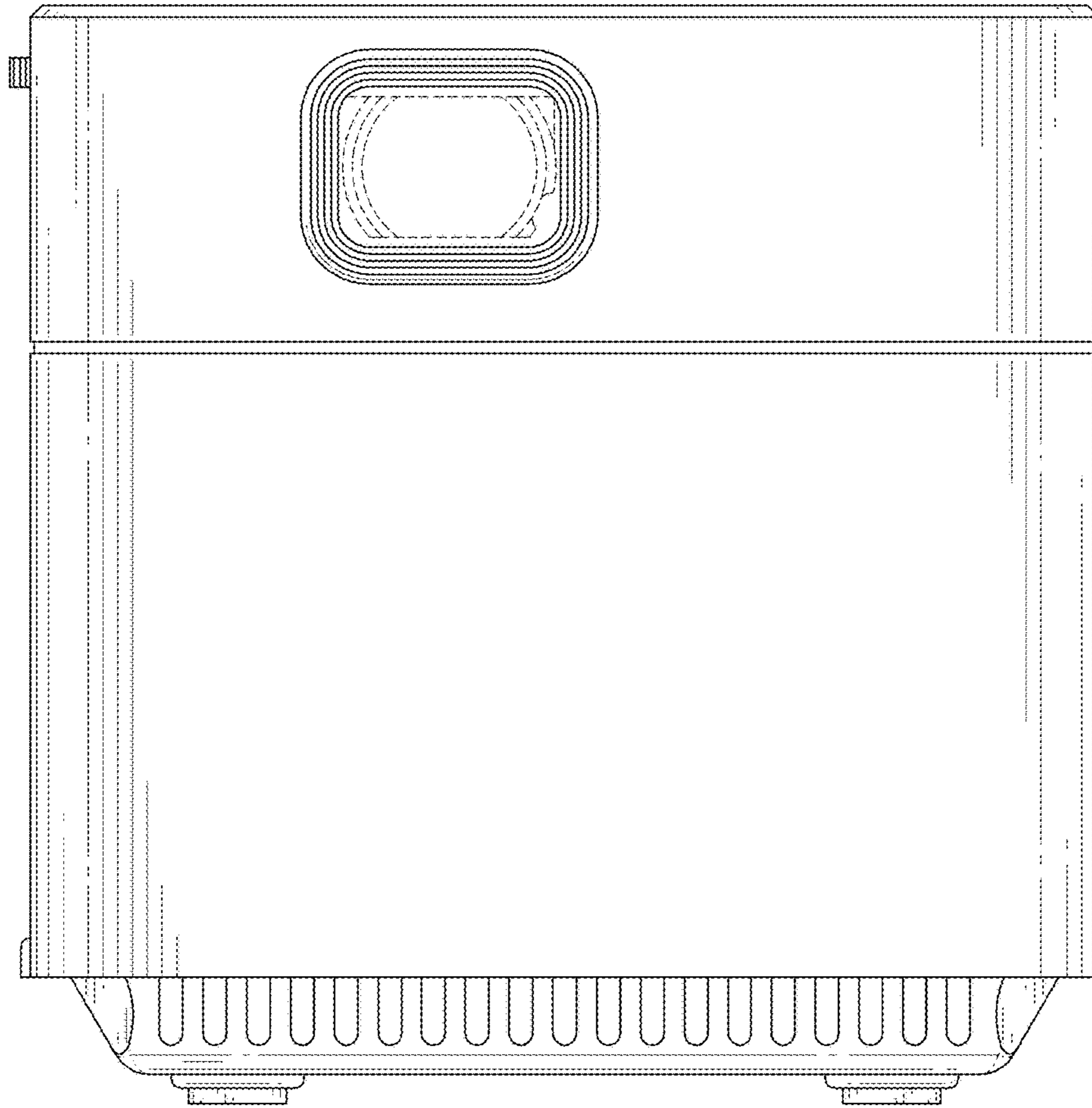


FIG. 3

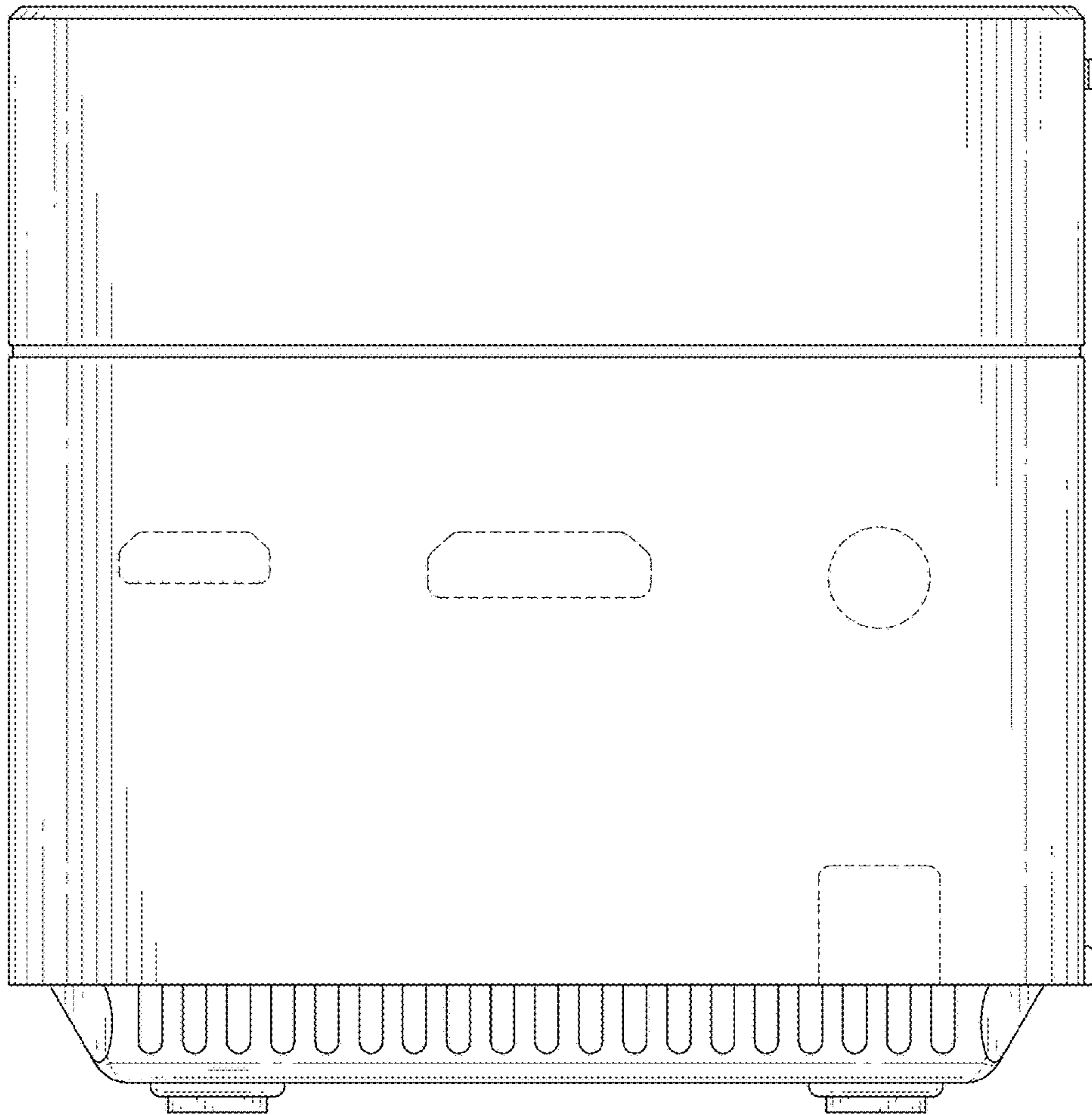


FIG. 4

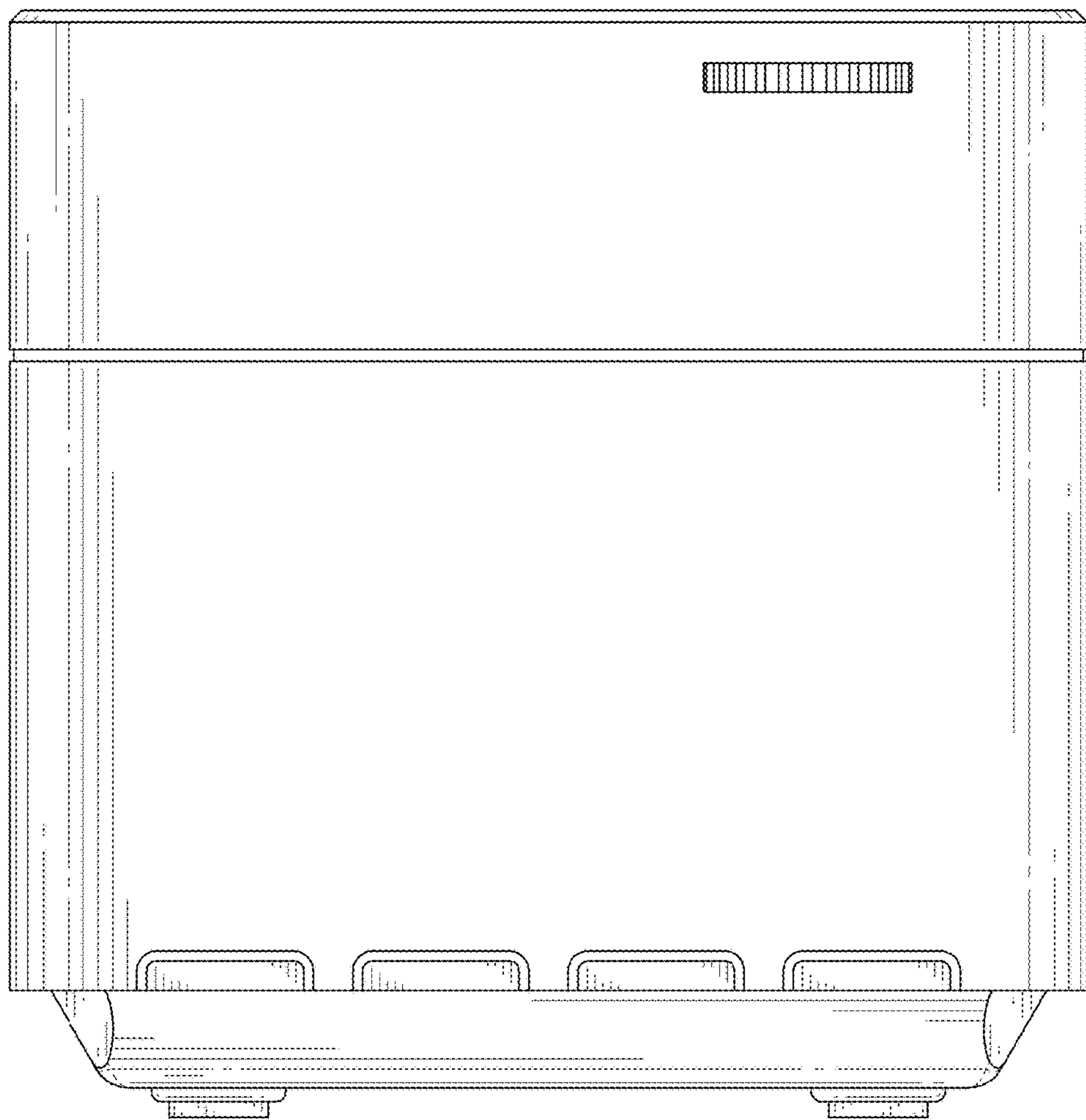


FIG. 5

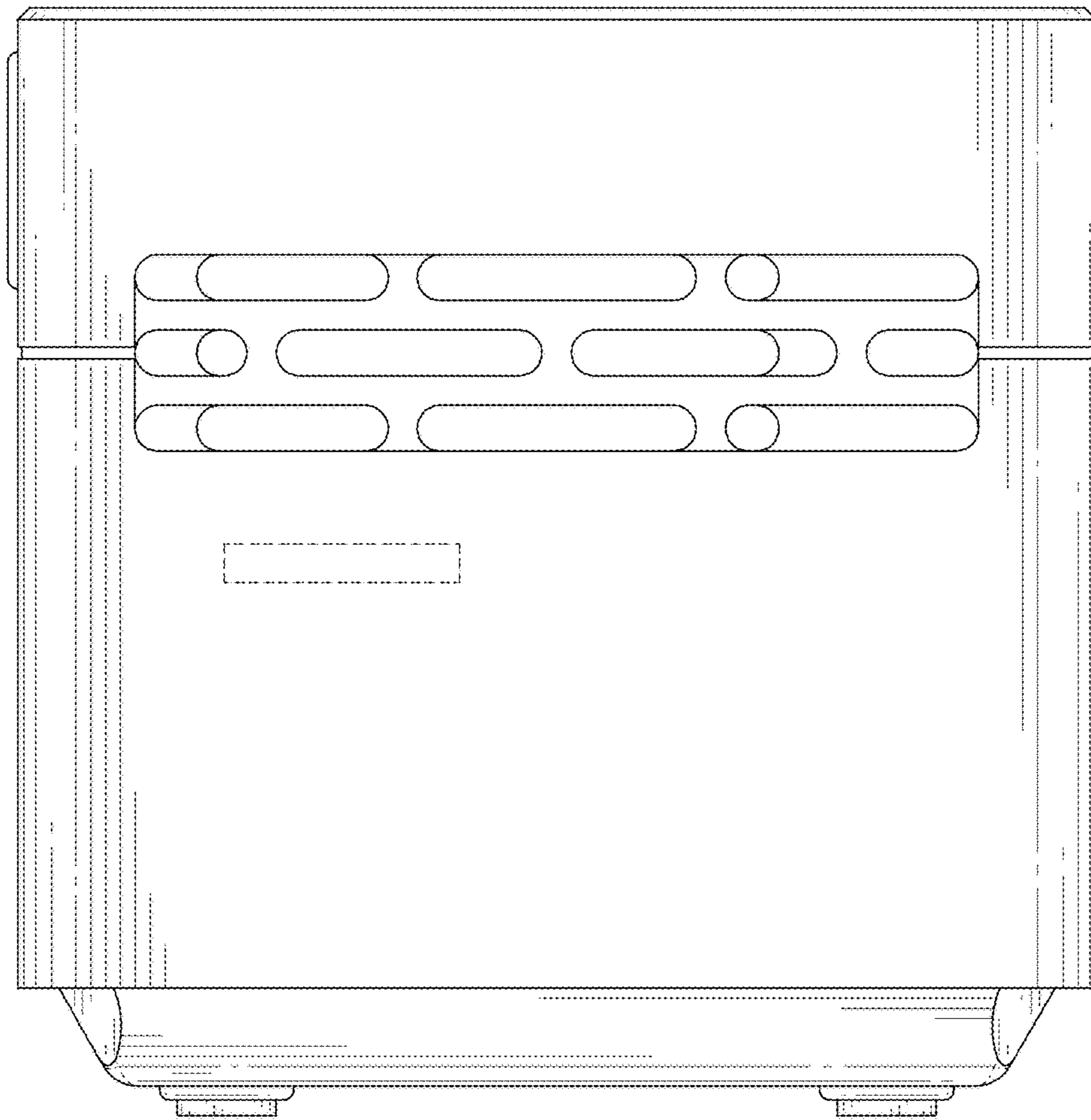


FIG. 6

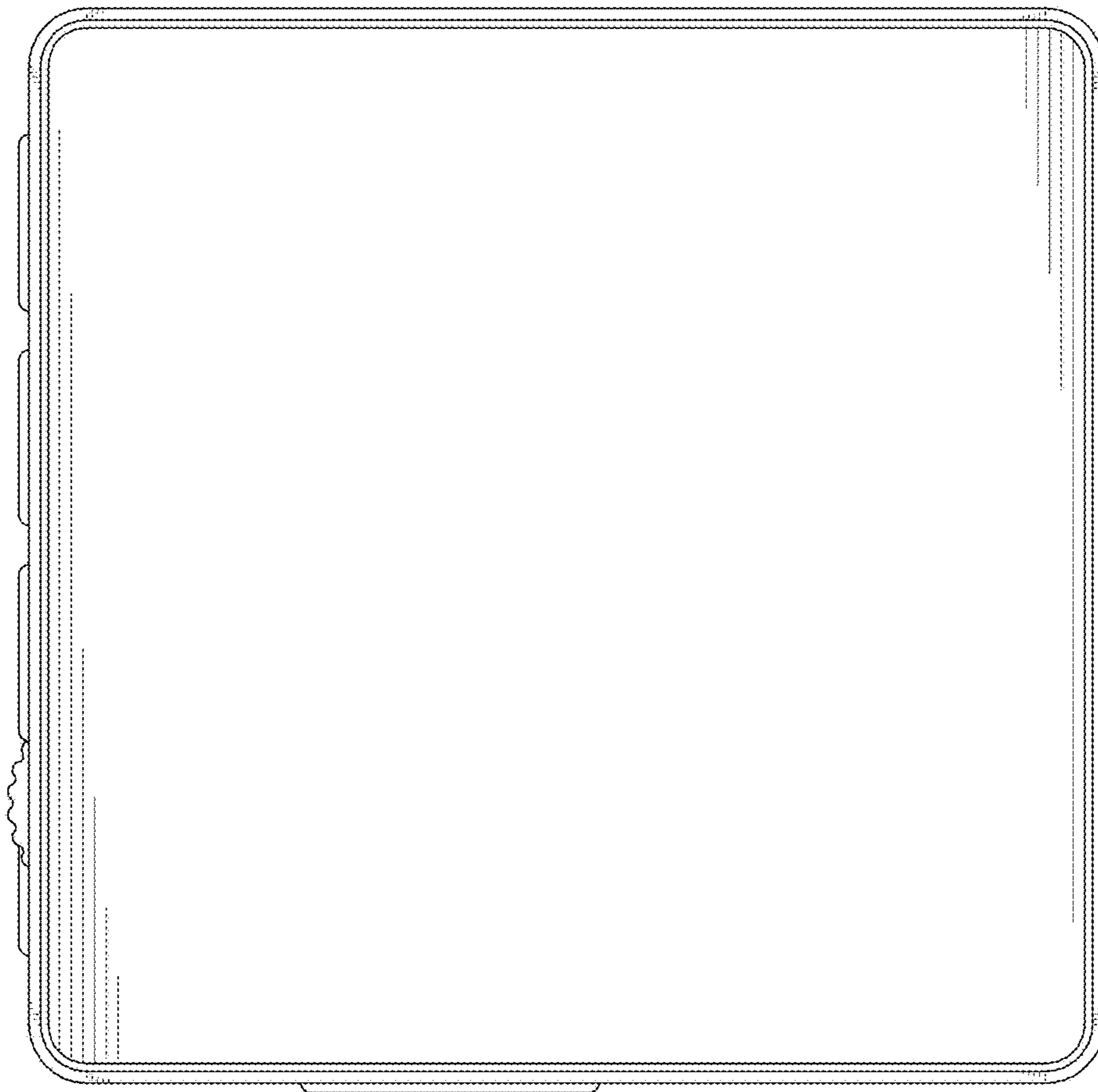


FIG. 7

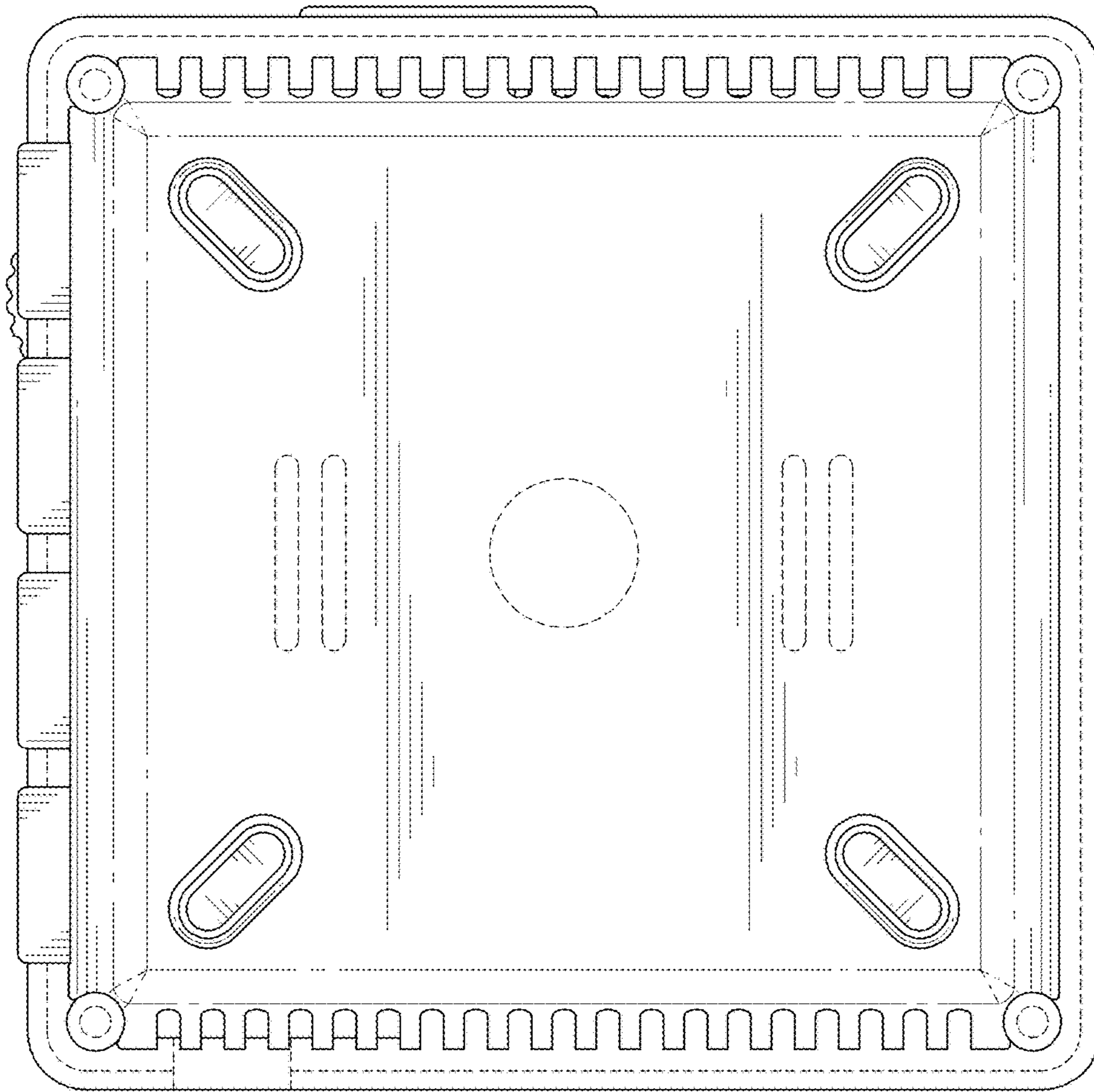


FIG. 8