



US00D834634S

(12) **United States Design Patent** (10) **Patent No.:** **US D834,634 S**
Huang (45) **Date of Patent:** **** Nov. 27, 2018**

(54) **CAMERA DEVICE**
(71) Applicant: **VIA TECHNOLOGIES, INC.**, New Taipei (TW)
(72) Inventor: **Chih-Wei Huang**, New Taipei (TW)
(73) Assignee: **VIA TECHNOLOGIES, INC.**, New Taipei (TW)
(**) Term: **15 Years**

(21) Appl. No.: **29/595,806**
(22) Filed: **Mar. 2, 2017**

(30) **Foreign Application Priority Data**
Jan. 23, 2017 (TW) 106300382
(51) **LOC (11) Cl.** **16-01**
(52) **U.S. Cl.**
USPC **D16/210**
(58) **Field of Classification Search**
USPC D16/200, 202-208, 218, 219, 242;
348/143, 148, 151, 373-376; 396/419,
396/427, 535, 539-541
CPC G03B 17/02; G03B 19/04; G03B 17/56;
G03B 17/04; G03B 15/03; H04N 5/2251;
H04N 5/2252; H04N 5/2253; H04N
5/2254; H04N 7/181; H04N 7/183; H04N
7/18; G08B 13/1963; G08B 13/19619;
G08B 13/19632
See application file for complete search history.

(56) **References Cited**
U.S. PATENT DOCUMENTS
D527,406 S * 8/2006 Lin D16/202
D554,682 S * 11/2007 Martinez D16/203
7,429,997 B2 * 9/2008 Givon G03B 35/00
348/38
D690,344 S * 9/2013 Hollinger D16/200
D700,232 S * 2/2014 Ramsay D16/207
D723,604 S * 3/2015 Mohan D16/203

D730,966 S * 6/2015 Liu D16/202
D731,579 S * 6/2015 Bart D16/203
D742,955 S * 11/2015 Kozko D16/207
D745,076 S * 12/2015 Pfeil D16/207
D750,147 S * 2/2016 Muller D16/203
D792,496 S * 7/2017 Meyer D16/207
2011/0128349 A1 * 6/2011 Theobald H04N 5/23238
348/36

FOREIGN PATENT DOCUMENTS

TW D176443 S 6/2016

OTHER PUBLICATIONS

TW Notice of Allowance dated Jun. 28, 2017 in corresponding Taiwan application (No. 106300382).

* cited by examiner

Primary Examiner — Philip S Hyder
Assistant Examiner — Ramzi S Almatrahi
(74) *Attorney, Agent, or Firm* — McClure, Qualey & Rodack, LLP

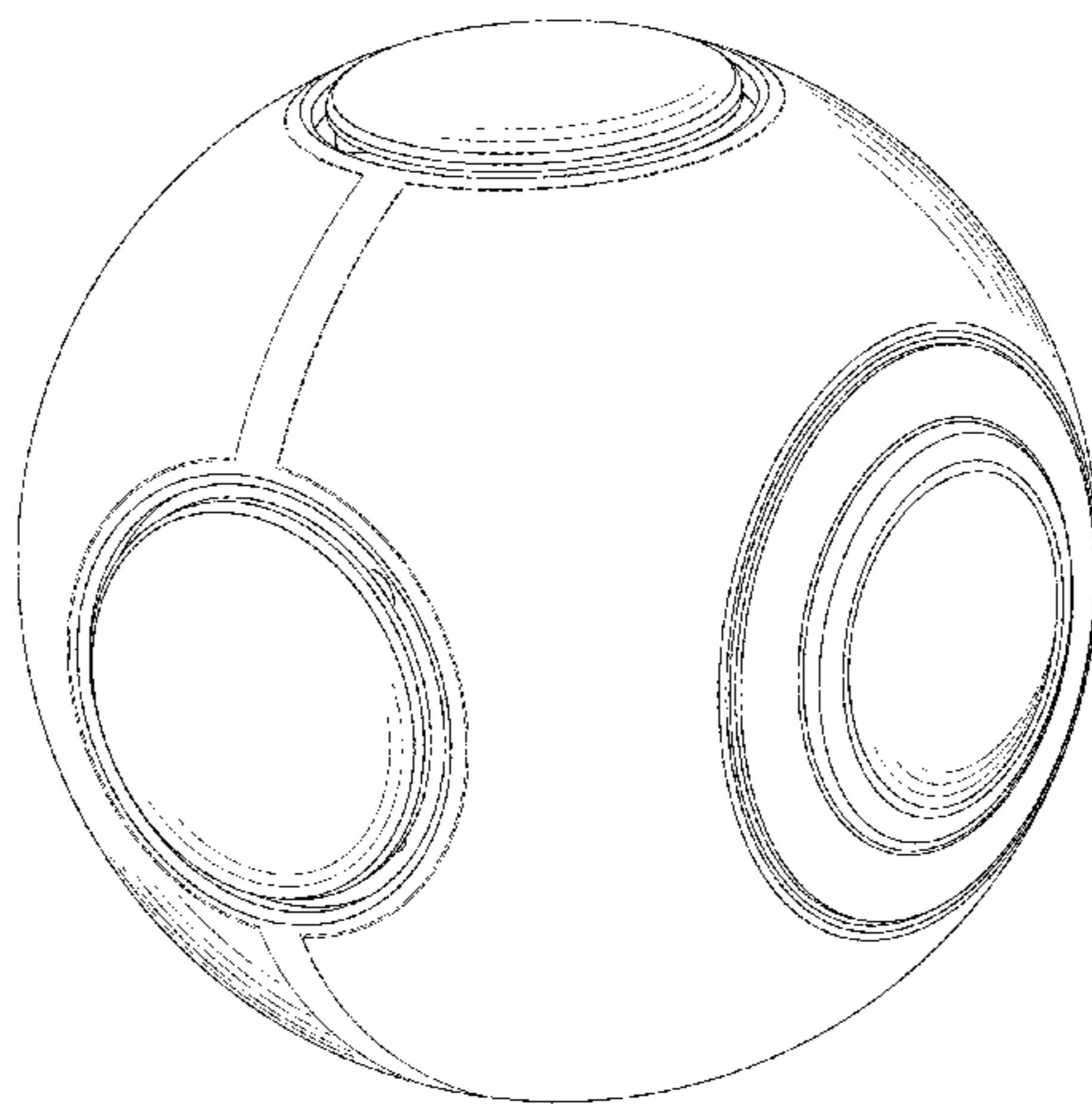
(57) **CLAIM**

The ornamental design for a camera device, as shown and described.

DESCRIPTION

FIG. 1 is a perspective view of a camera device, such as a web camera, in accordance with our new and ornamental design;
FIG. 2 is a front view thereof;
FIG. 3 is a rear view thereof;
FIG. 4 is a left side view thereof;
FIG. 5 is a right side view thereof;
FIG. 6 is a top plan view thereof; and,
FIG. 7 is a bottom plan view thereof.
The broken lines depict portions of a camera device in which the design is embodied and form no part of the claimed design.

1 Claim, 7 Drawing Sheets



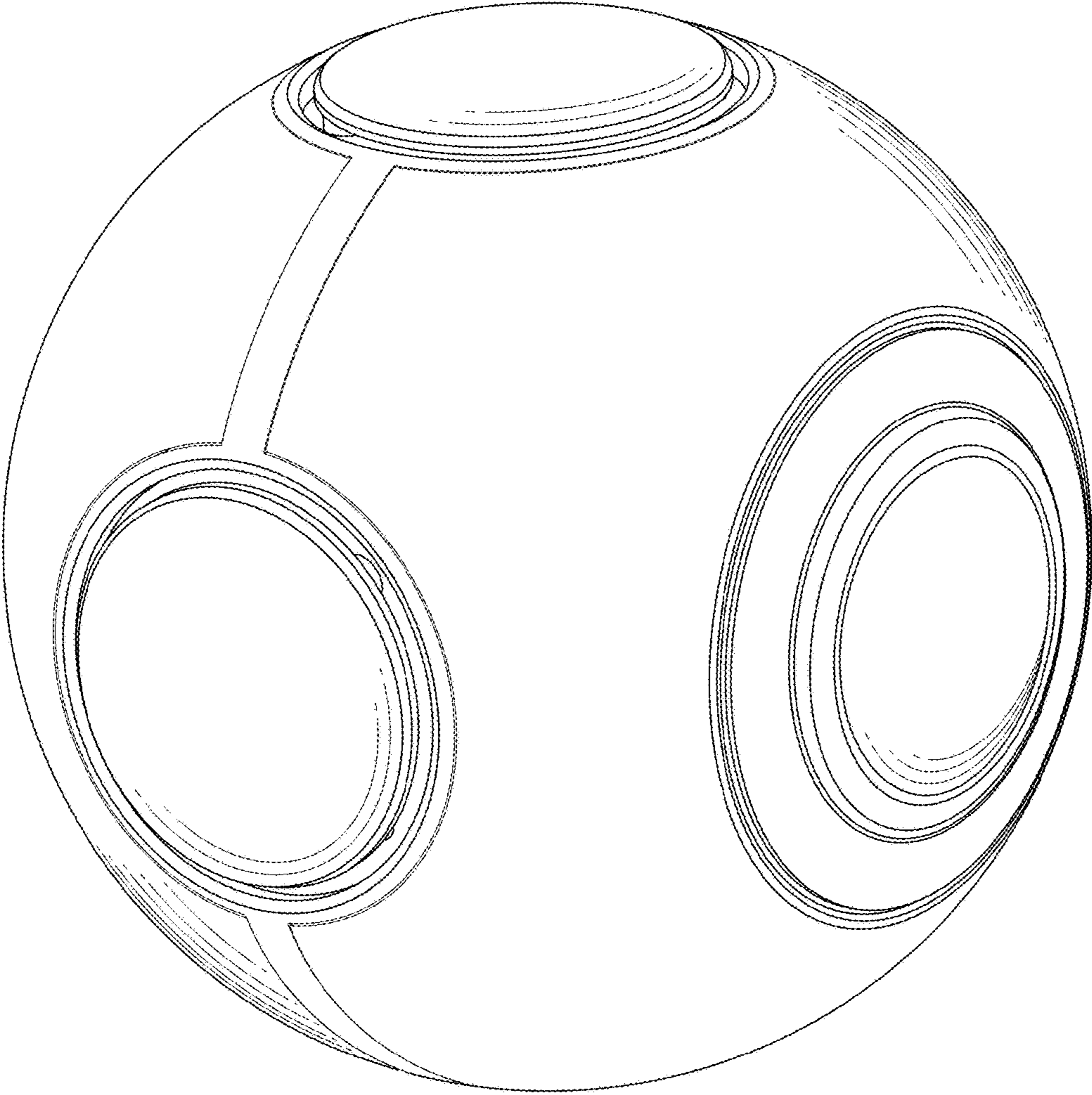


FIG. 1

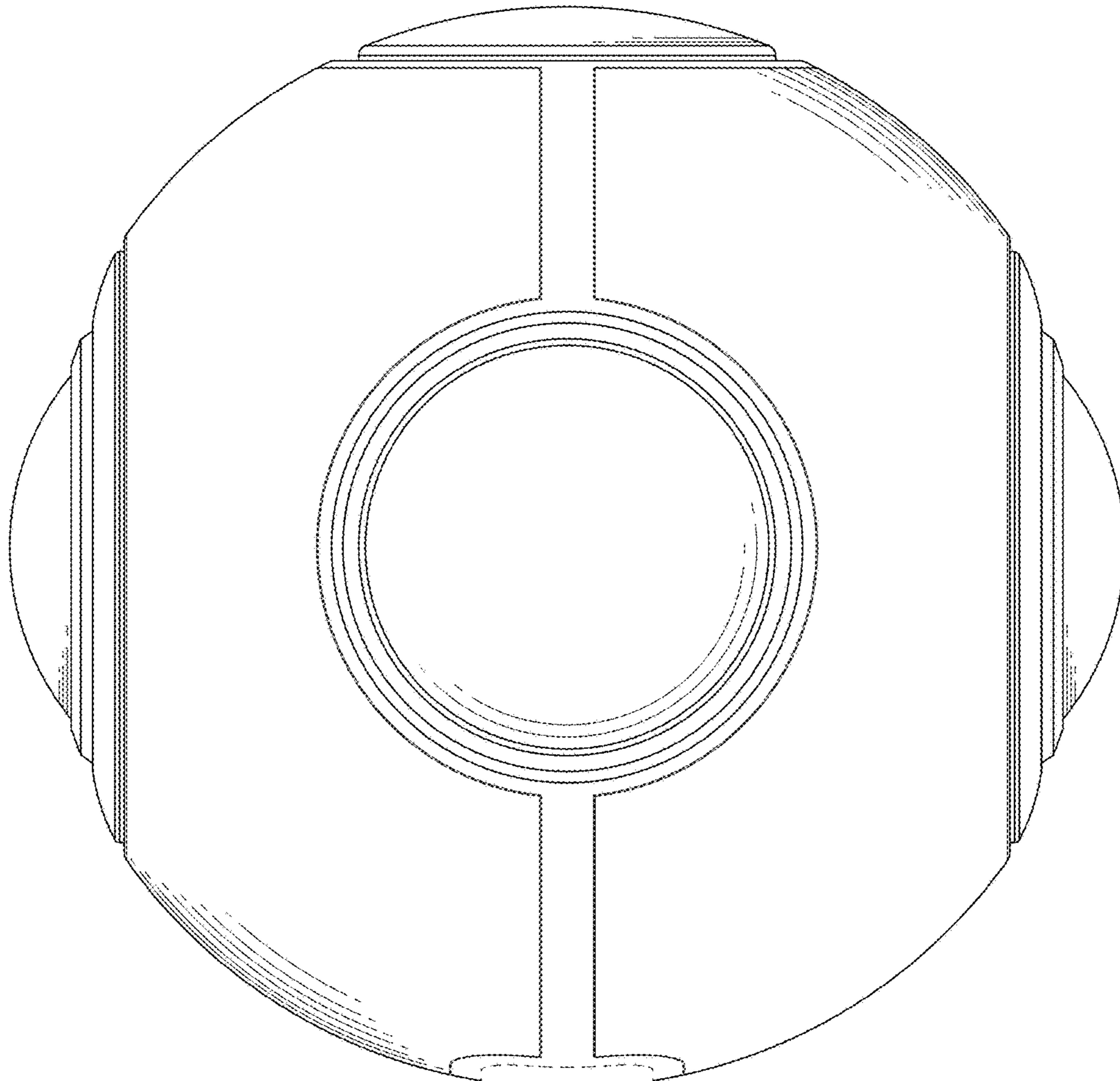


FIG. 2

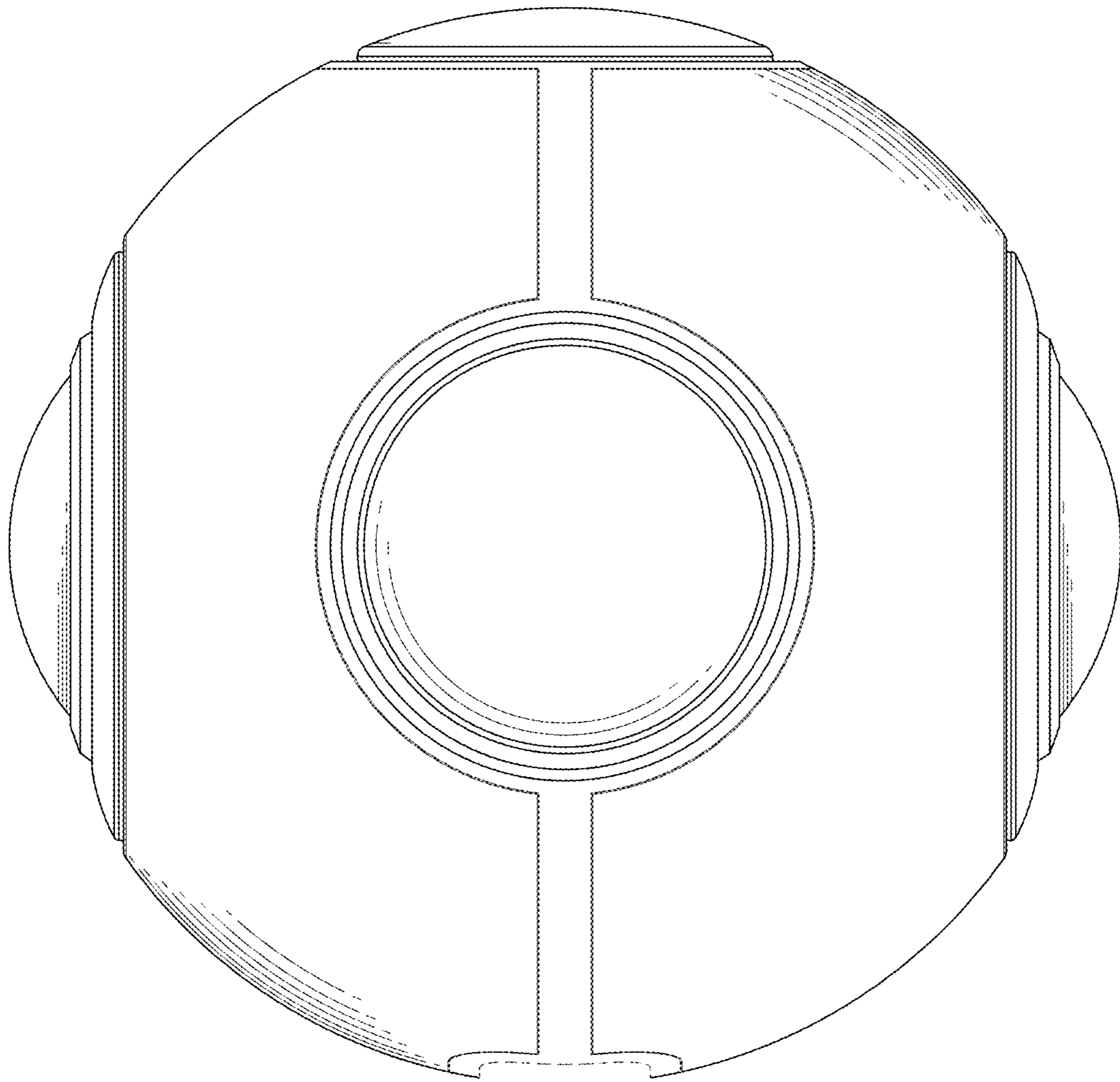


FIG. 3

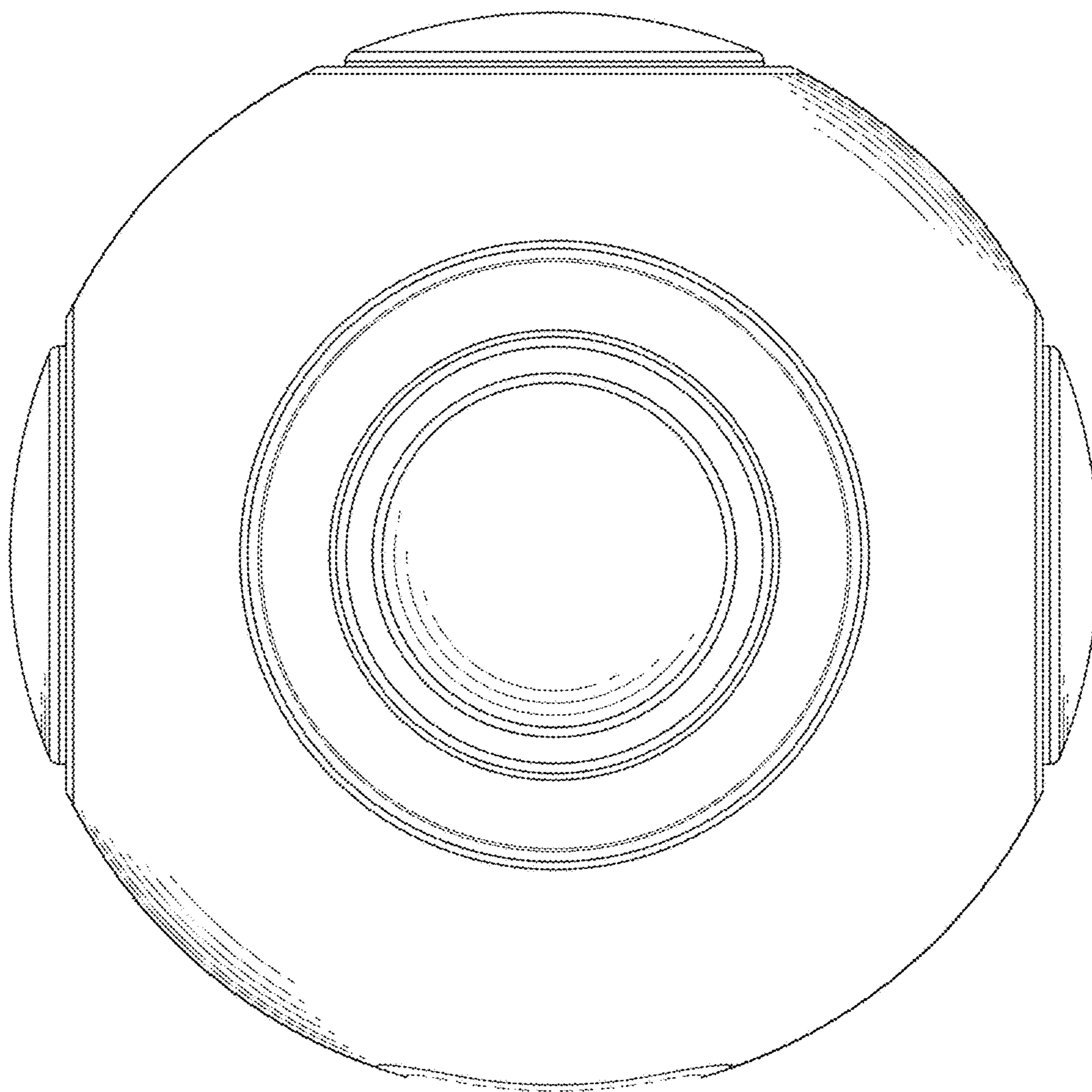


FIG. 4

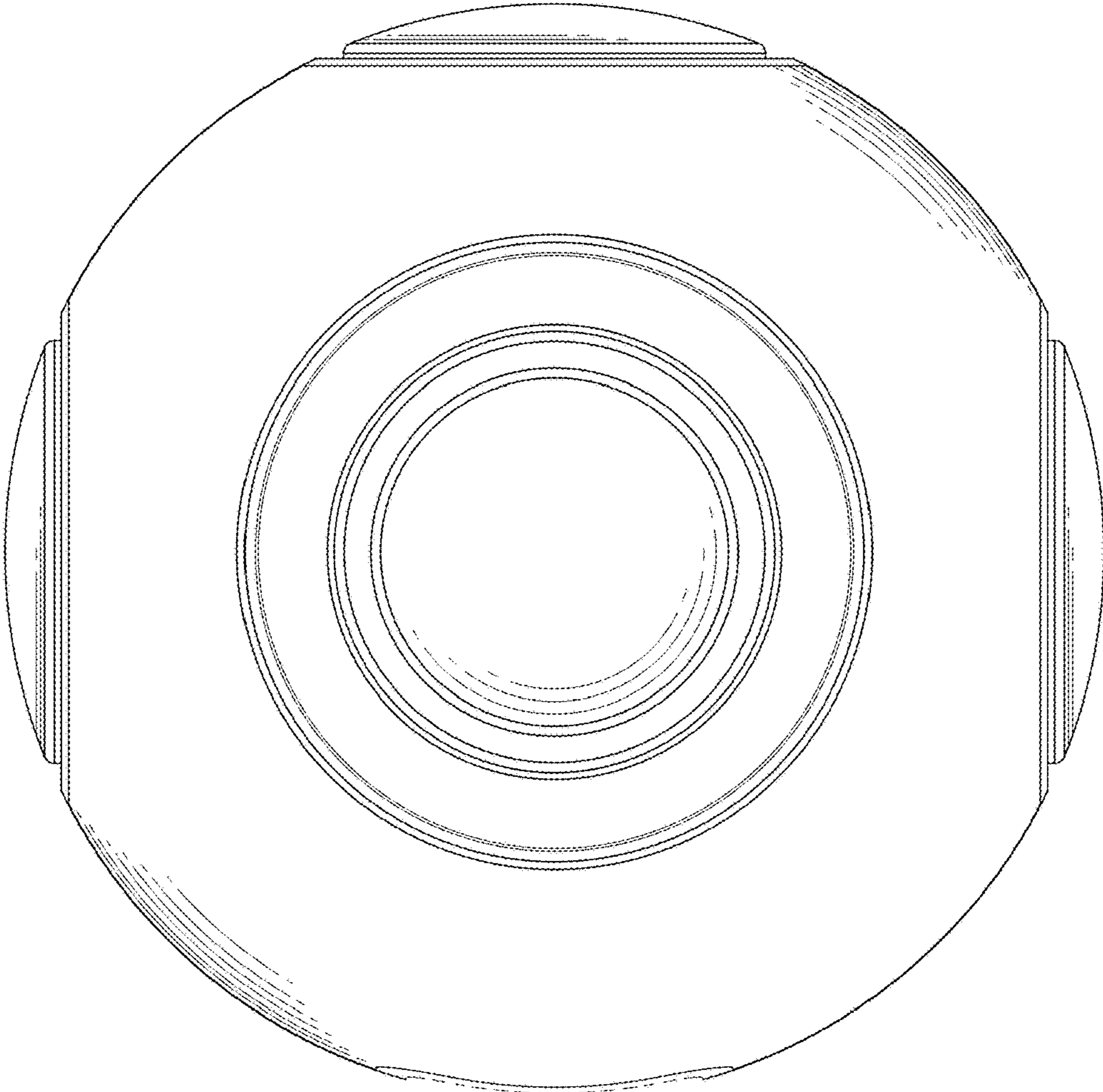


FIG. 5

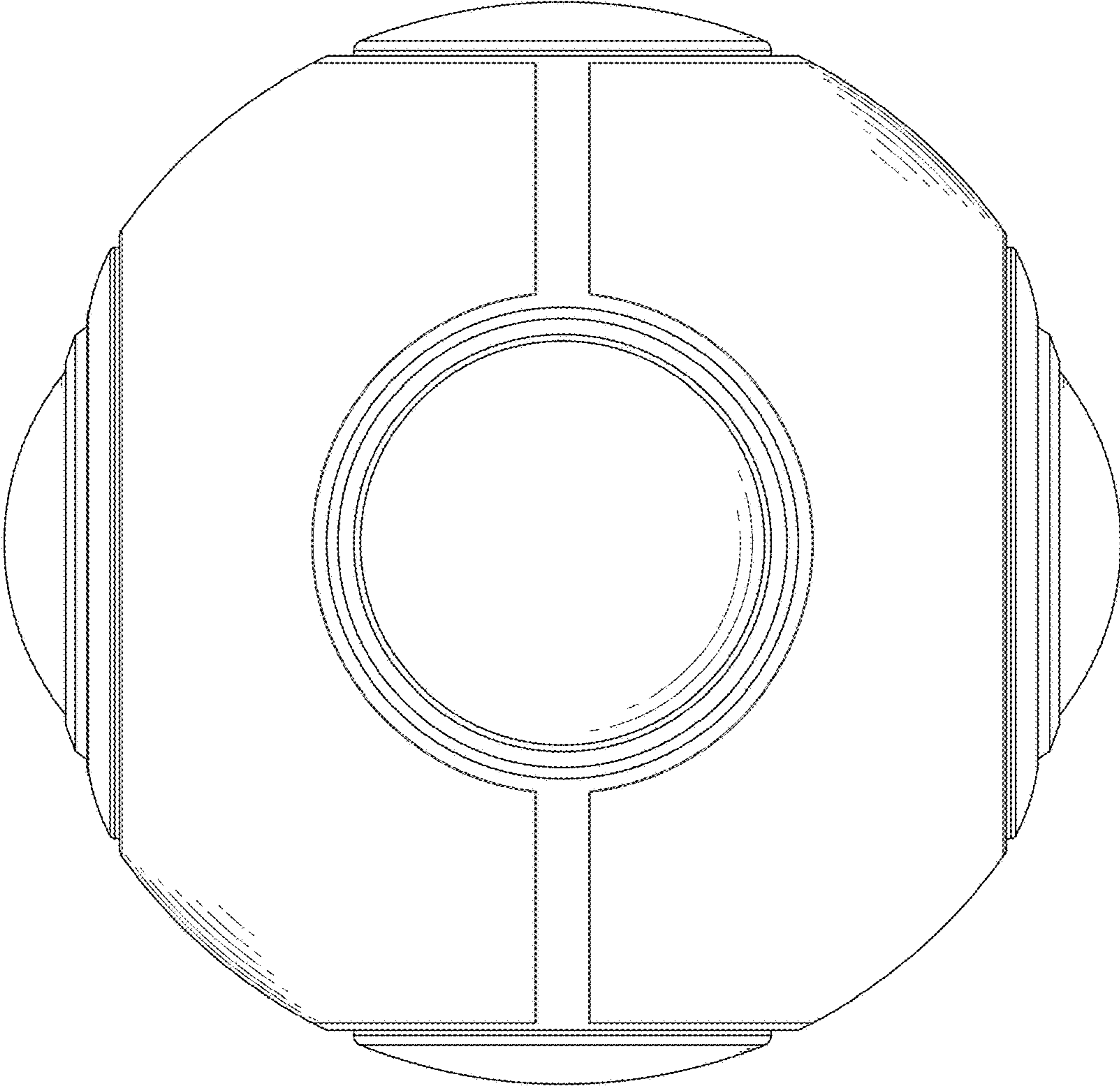


FIG. 6

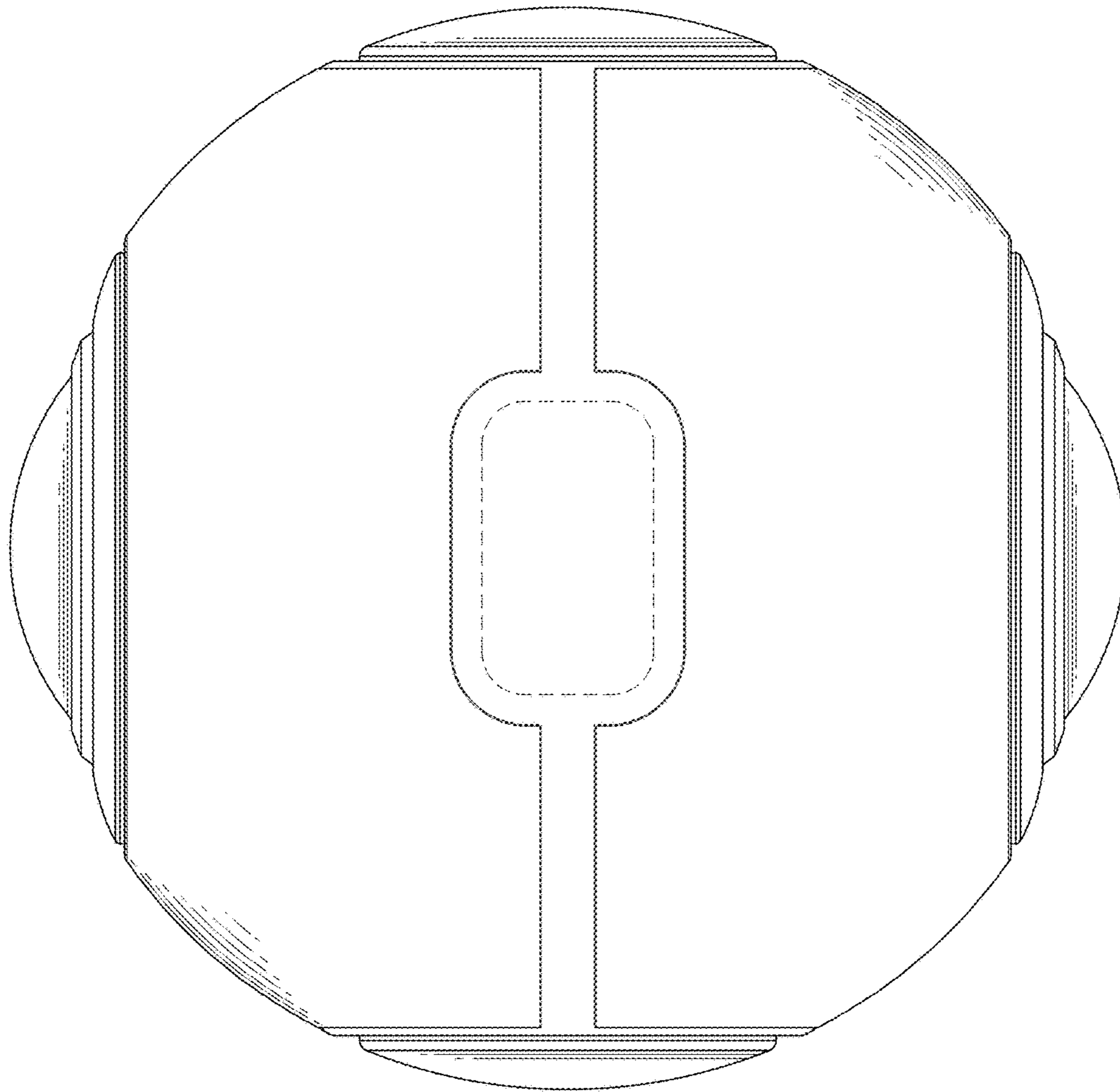


FIG. 7