



US00D834633S

(12) **United States Design Patent**
Carlson

(10) **Patent No.:** **US D834,633 S**

(45) **Date of Patent:** **** Nov. 27, 2018**

(54) **CAMERA HOUSING**

(71) Applicant: **Daniel D. Carlson**, Fenton, MI (US)

(72) Inventor: **Daniel D. Carlson**, Fenton, MI (US)

(73) Assignee: **TRW Automotive U.S. LLC**, Livonia, MI (US)

(**) Term: **14 Years**

(21) Appl. No.: **29/512,010**

(22) Filed: **Dec. 16, 2014**

(51) **LOC (11) Cl.** **16-01**

(52) **U.S. Cl.**
USPC **D16/208; D16/203**

(58) **Field of Classification Search**
USPC D16/200–204, 208, 218, 219; 340/932.2,
340/933, 937; 348/143, 148, 151,
348/373–376; 396/427, 428, 537–541
CPC G03B 15/03; G03B 17/02; G03B 17/04;
G03B 17/48; G03B 17/56; G03B 19/04;
G08G 1/0175; H04N 5/2251; H04N
5/2252; H04N 5/2253; H04N 5/2254;
H04N 2101/00; B60R 1/00
See application file for complete search history.

(56) **References Cited**

U.S. PATENT DOCUMENTS

5,428,353 A * 6/1995 Bird G06Q 20/0652
235/375
D363,299 S * 10/1995 Nomura D16/202
D416,032 S * 11/1999 Bakshi D16/203

(Continued)

Primary Examiner — Philip S Hyder

Assistant Examiner — Ramzi S Almatrahi

(74) *Attorney, Agent, or Firm* — Tarolli, Sundheim,
Covell & Tummino LLP

(57) **CLAIM**

I claim the ornamental design for a camera housing, as shown and described.

DESCRIPTION

FIG. 1 is a front perspective view of a camera housing showing my new design in condition of use with the camera lens area disclosed in broken lines;

FIG. 2 is a bottom perspective view of the camera housing of FIG. 1;

FIG. 3 is a top plan view of the camera housing of FIG. 1; FIG. 4 is a bottom plan view of the camera housing of FIG. 1;

FIG. 5 is a front elevation view of the camera housing of FIG. 1;

FIG. 6 is a rear elevation view of the camera housing of FIG. 1;

FIG. 7 is a right side elevation view of the camera housing of FIG. 1;

FIG. 8 is a left side elevation view of the camera housing of FIG. 1;

FIG. 9 is a front perspective view of a camera housing showing my new design with the camera lens omitted;

FIG. 10 is a bottom perspective view of the camera housing of FIG. 9;

FIG. 11 is a top plan view of the camera housing of FIG. 9; FIG. 12 is a bottom plan view of the camera housing of FIG. 9;

FIG. 13 is a front elevation view of the camera housing of FIG. 9;

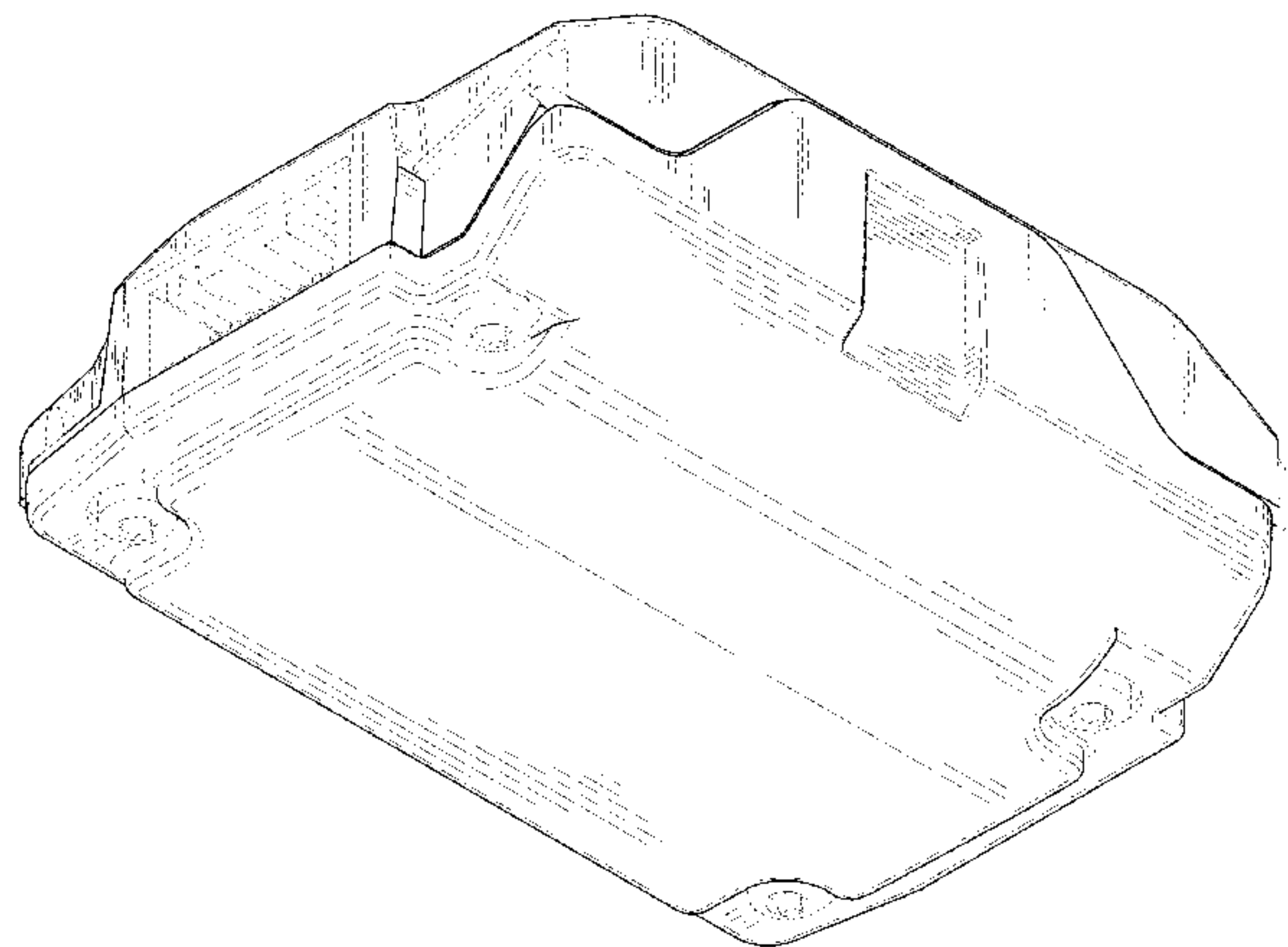
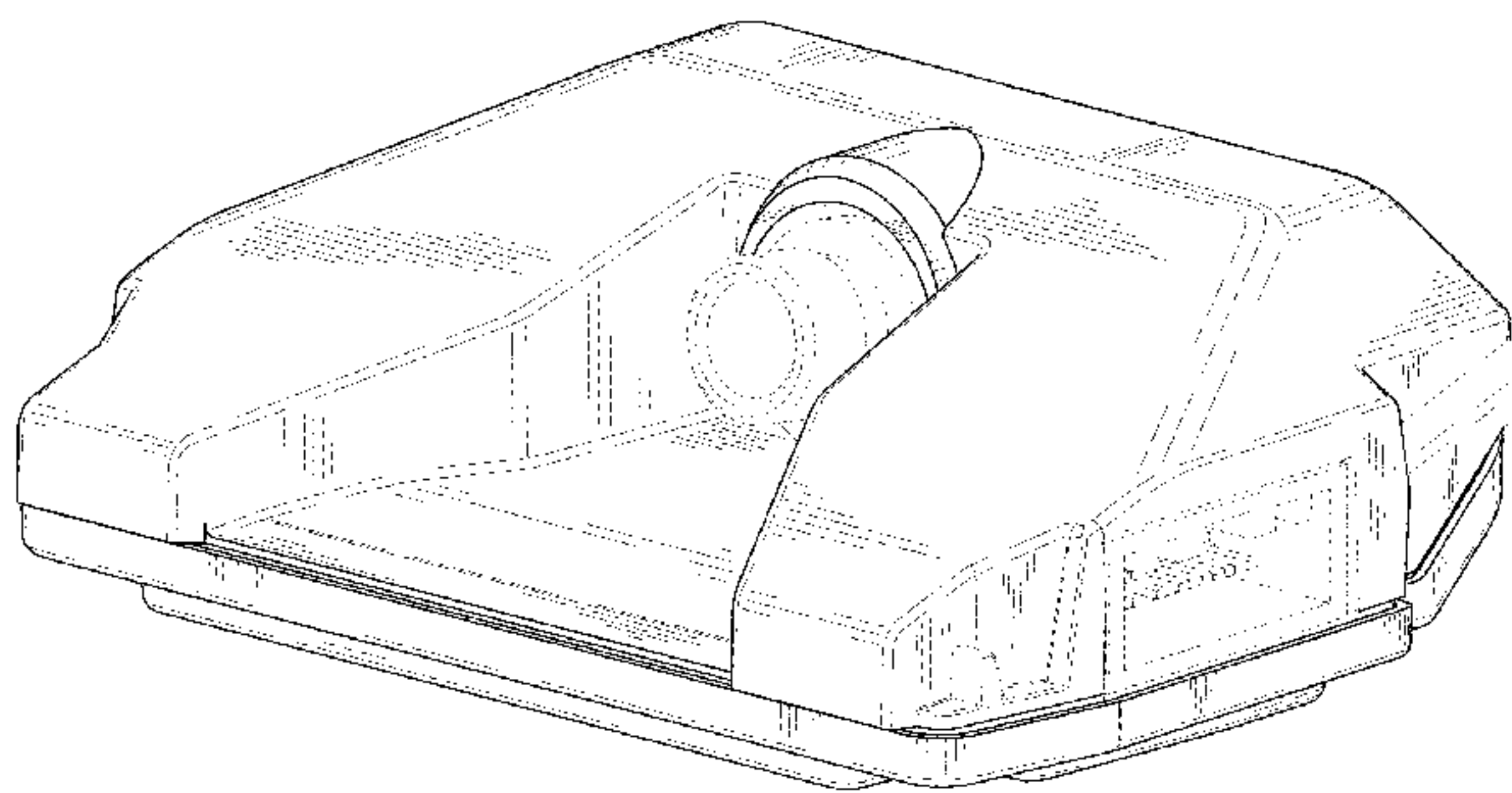
FIG. 14 is a rear elevation view of the camera housing of FIG. 9;

FIG. 15 is a right side elevation view of the camera housing of FIG. 9; and,

FIG. 16 is a left side elevation view of the camera housing of FIG. 9.

The broken lines depict portions of the camera housing in which the design is embodied that form no part of the claimed design.

1 Claim, 12 Drawing Sheets



(56)

References Cited

U.S. PATENT DOCUMENTS

D416,033	S *	11/1999	Kitera	D16/203
D433,046	S *	10/2000	Hall	D14/130
D484,160	S *	12/2003	Kangasmaa	D16/202
D563,448	S *	3/2008	Yamakawa	D16/202
D643,452	S *	8/2011	Alm	D16/200
8,400,560	B1 *	3/2013	Yang	B60R 11/04 348/148
8,405,726	B2 *	3/2013	Schofield	B60R 1/04 348/148
D686,267	S *	7/2013	Mihara	D16/202
2012/0113258	A1 *	5/2012	Fiess	B60R 1/00 348/148
2012/0327234	A1 *	12/2012	Fish, Jr.	B60R 11/04 348/148

* cited by examiner

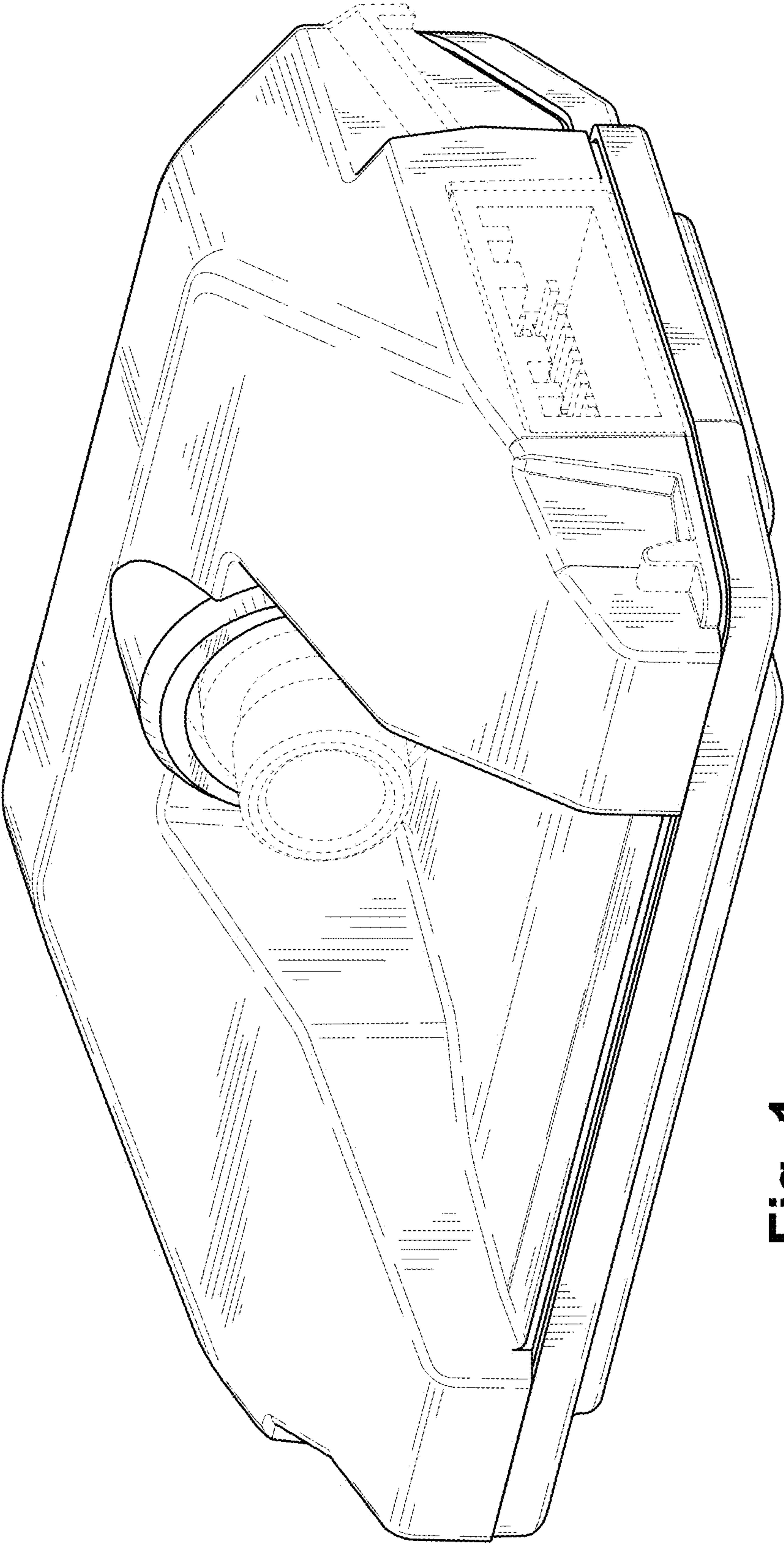


Fig. 1

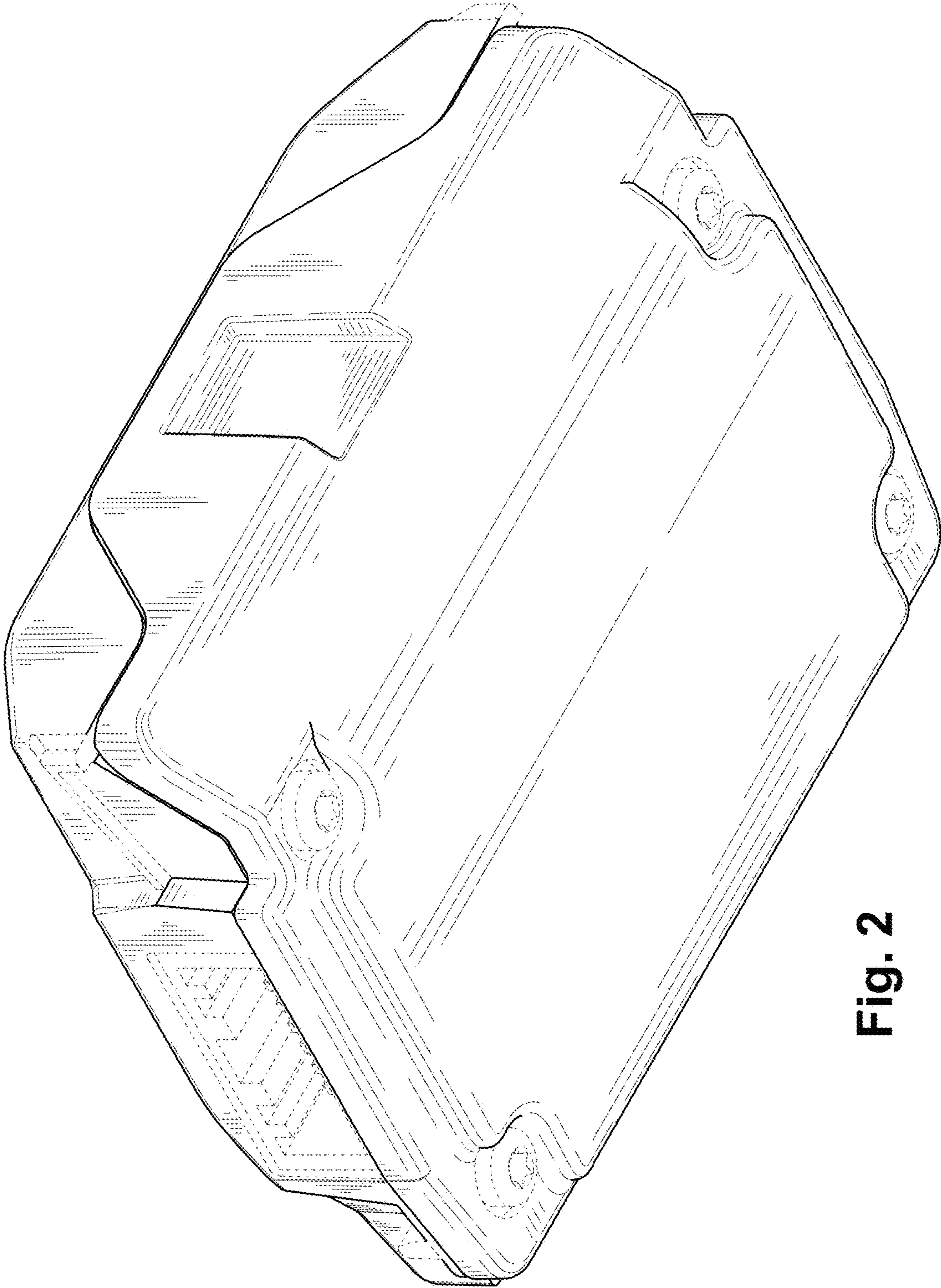


Fig. 2

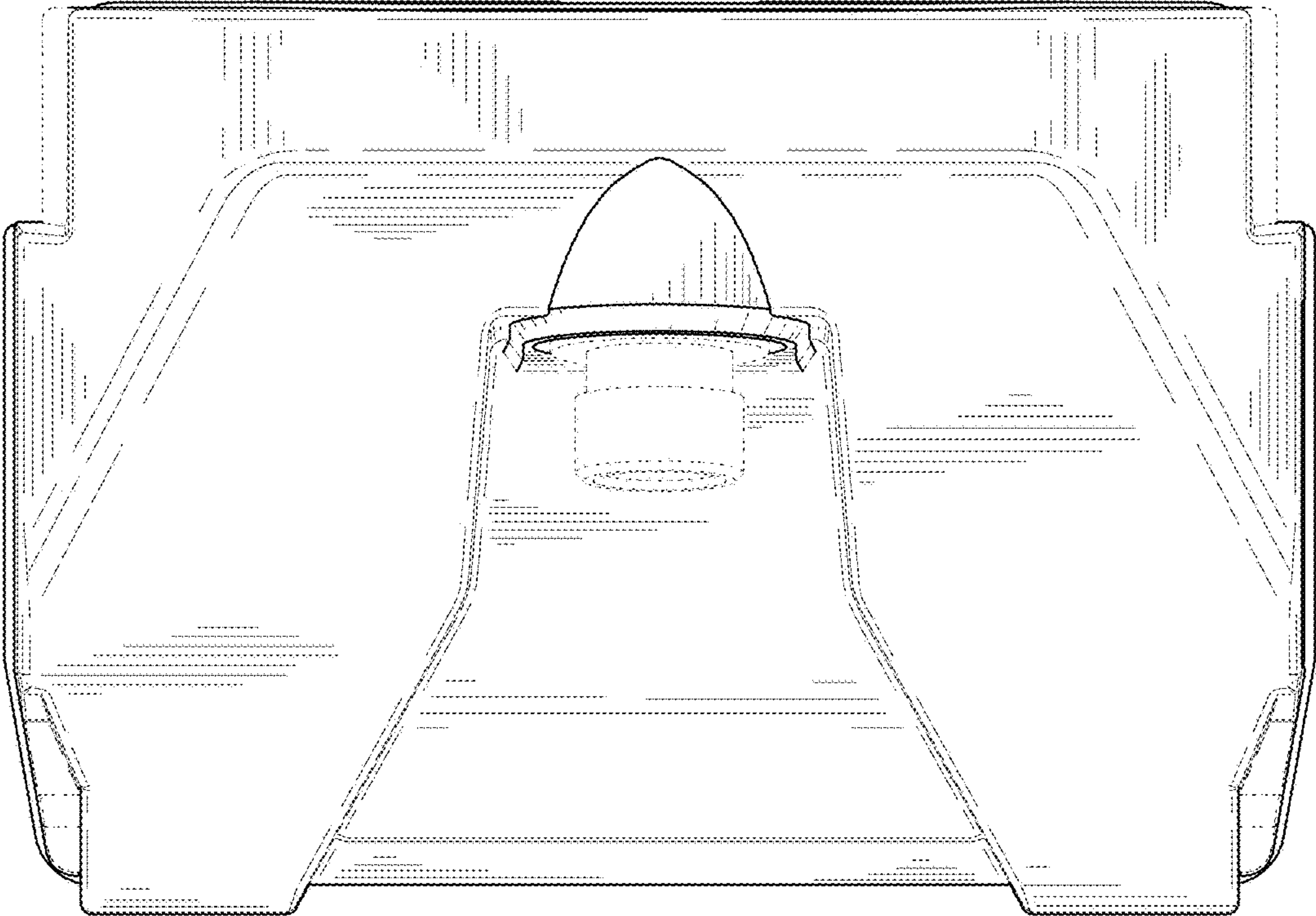


Fig. 3

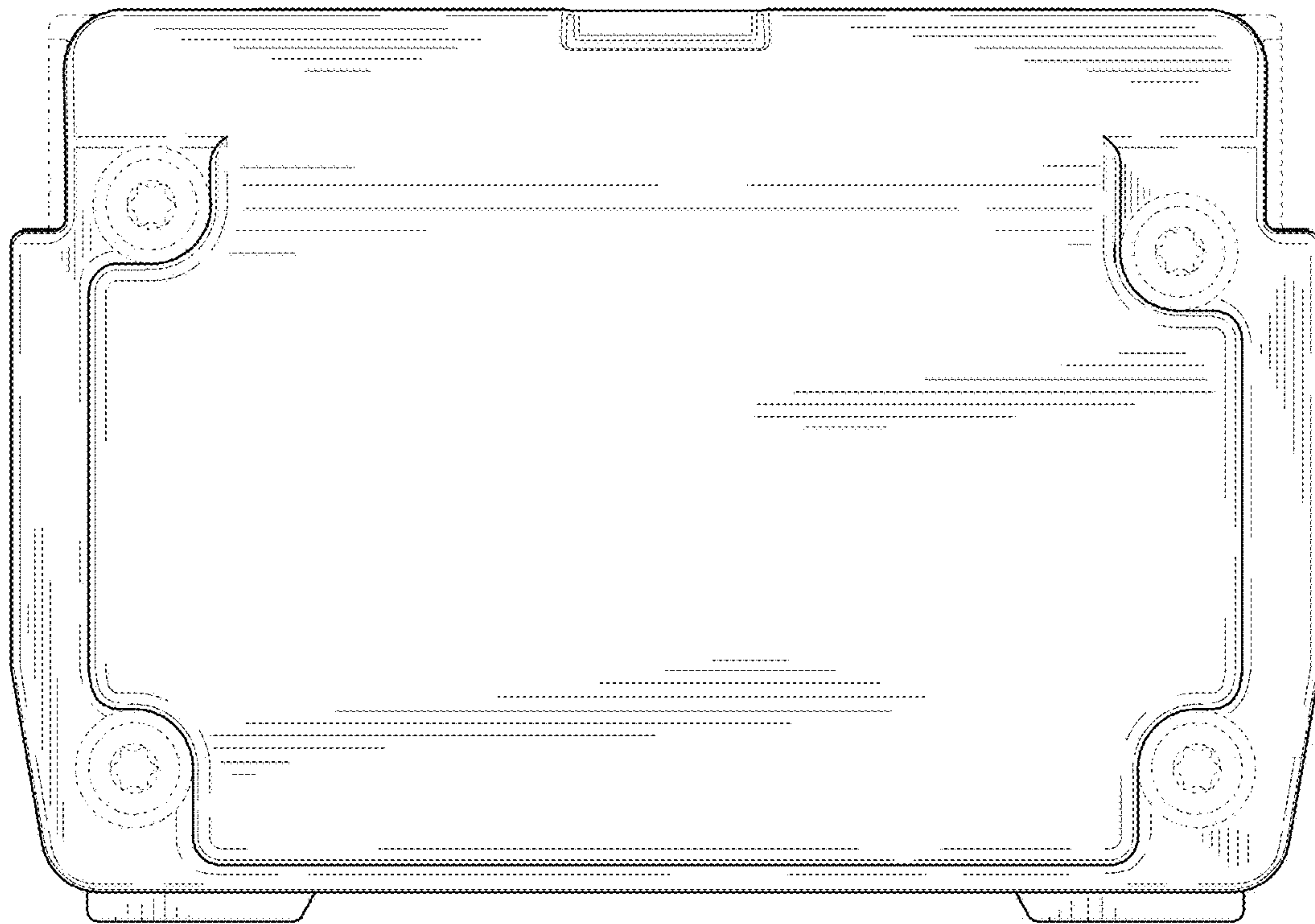


Fig. 4

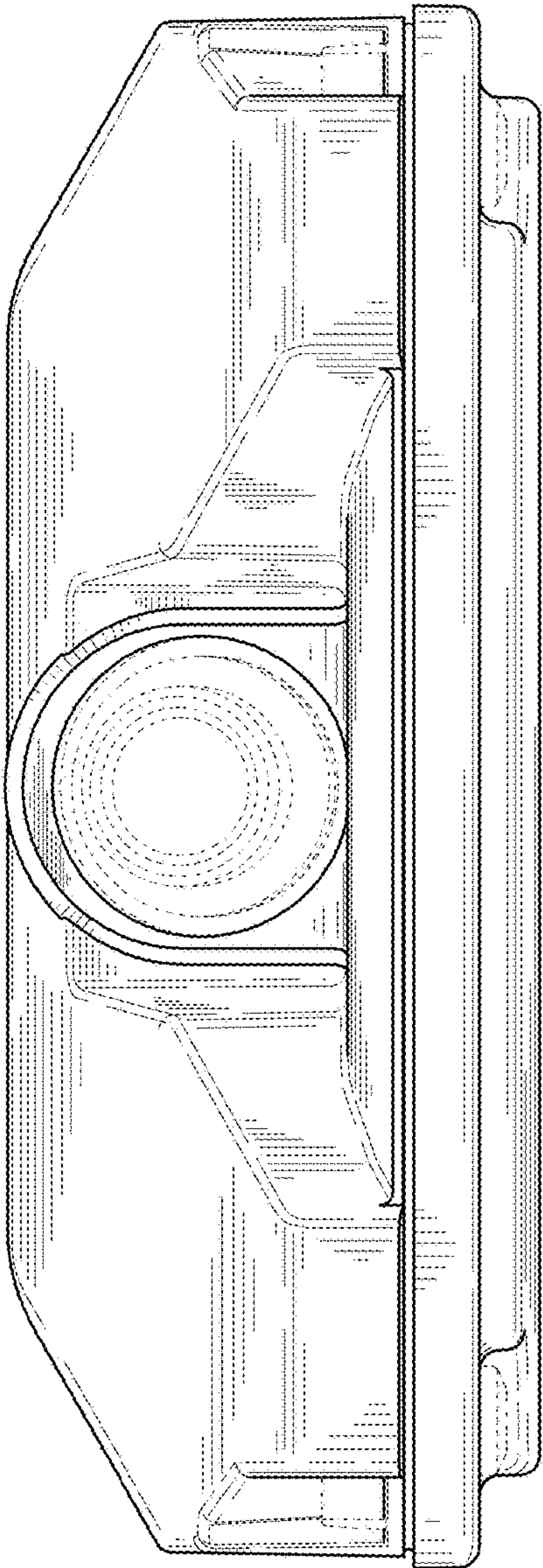


Fig. 5

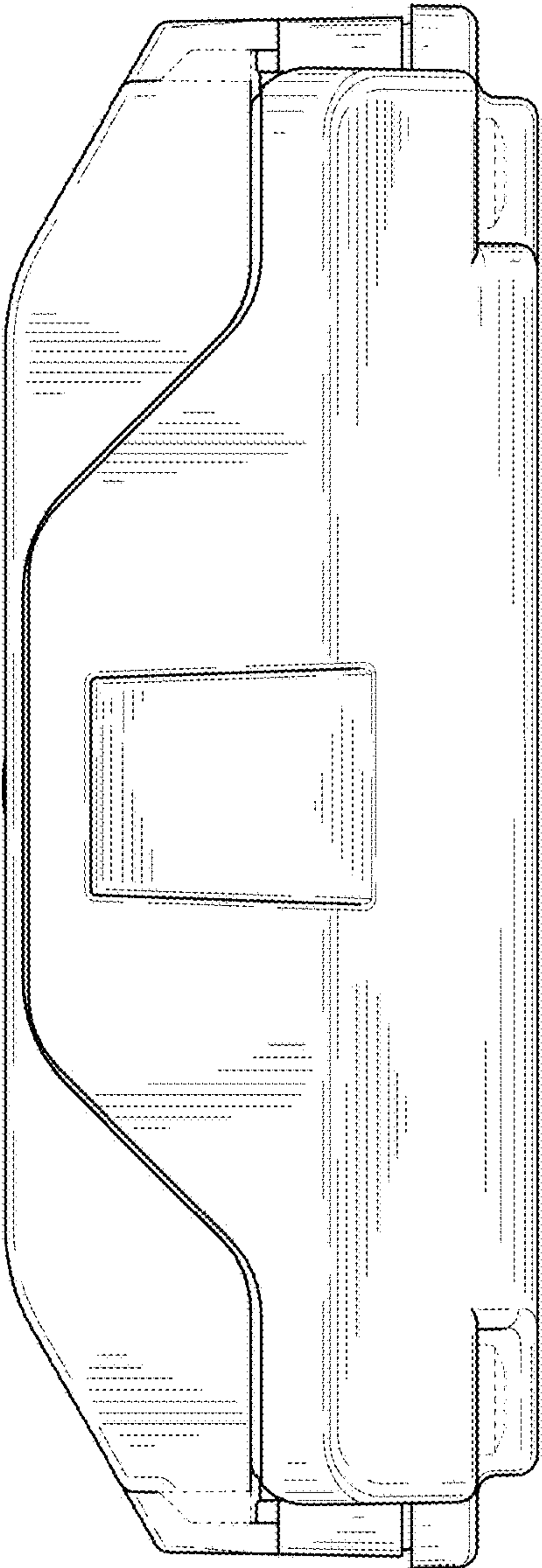


Fig. 6

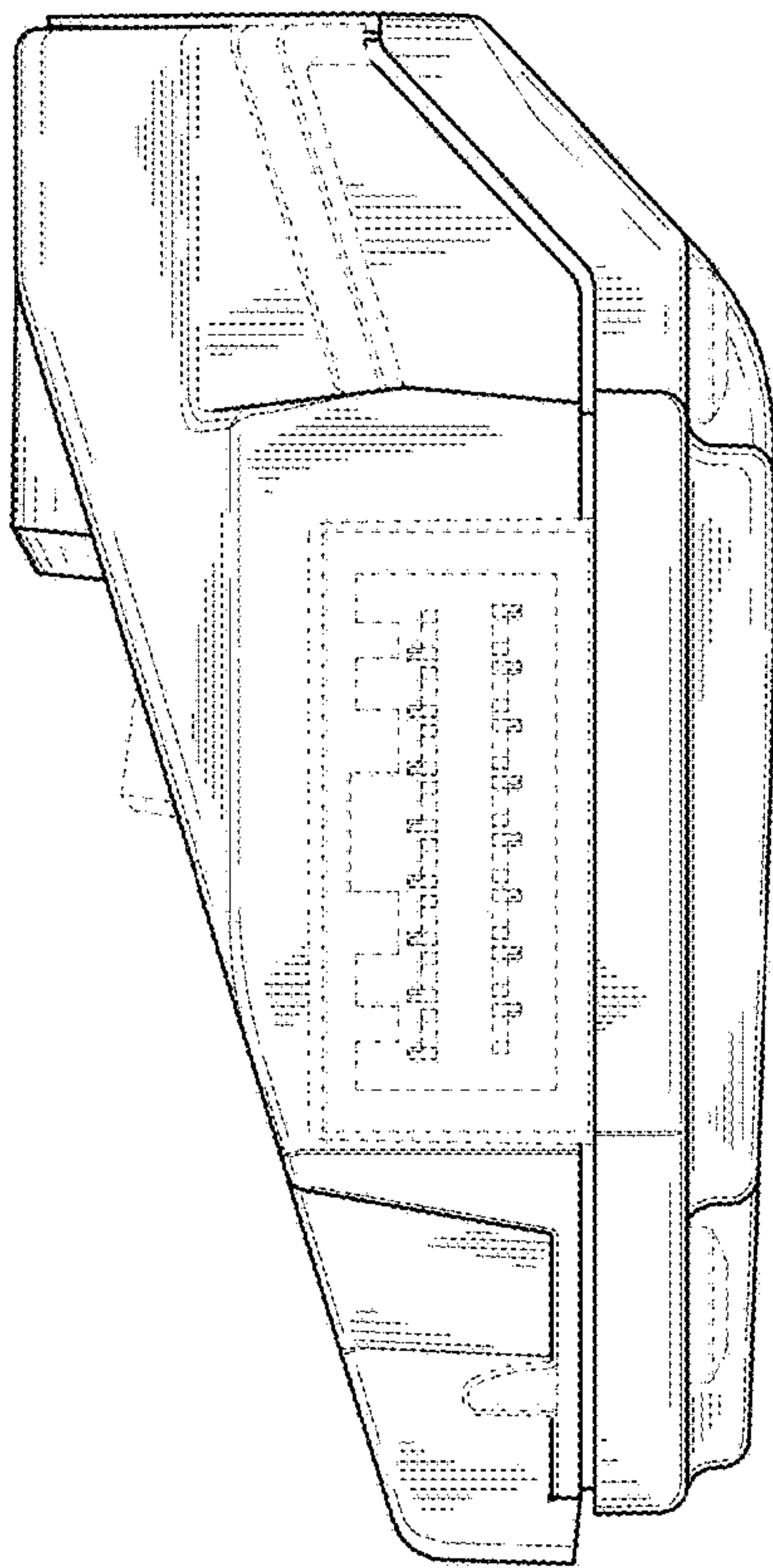


Fig. 7

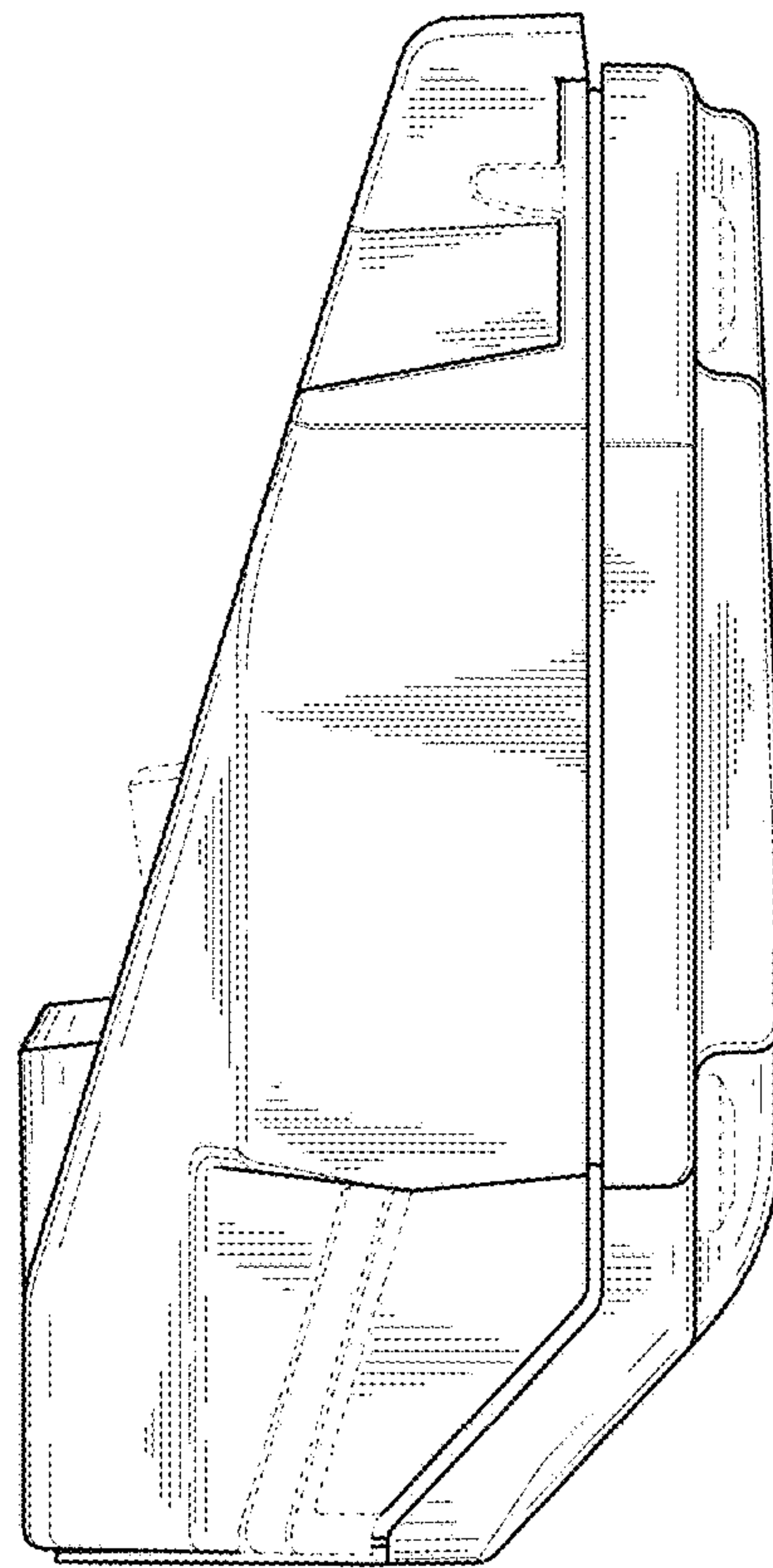


Fig. 8

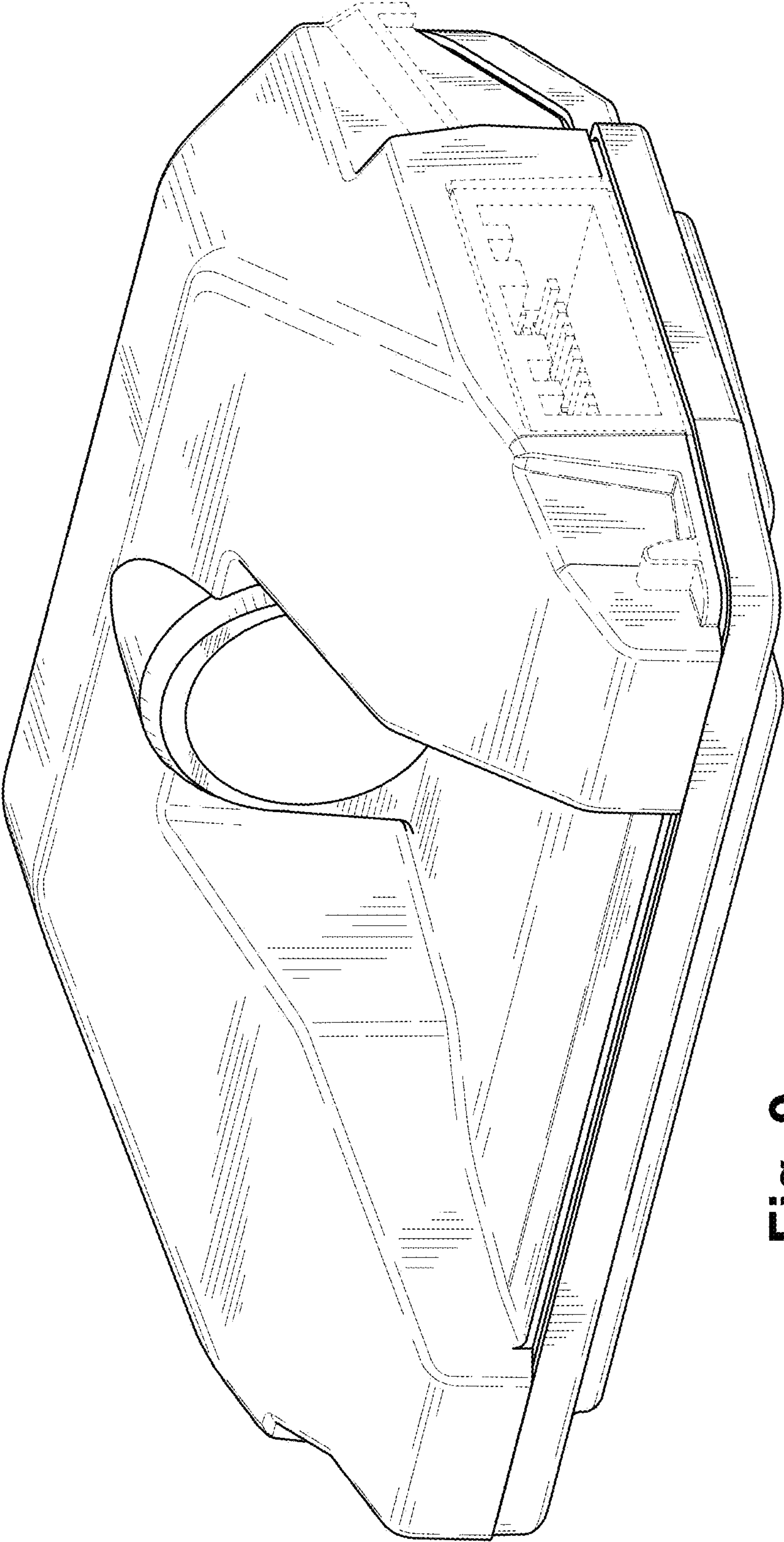


Fig. 9

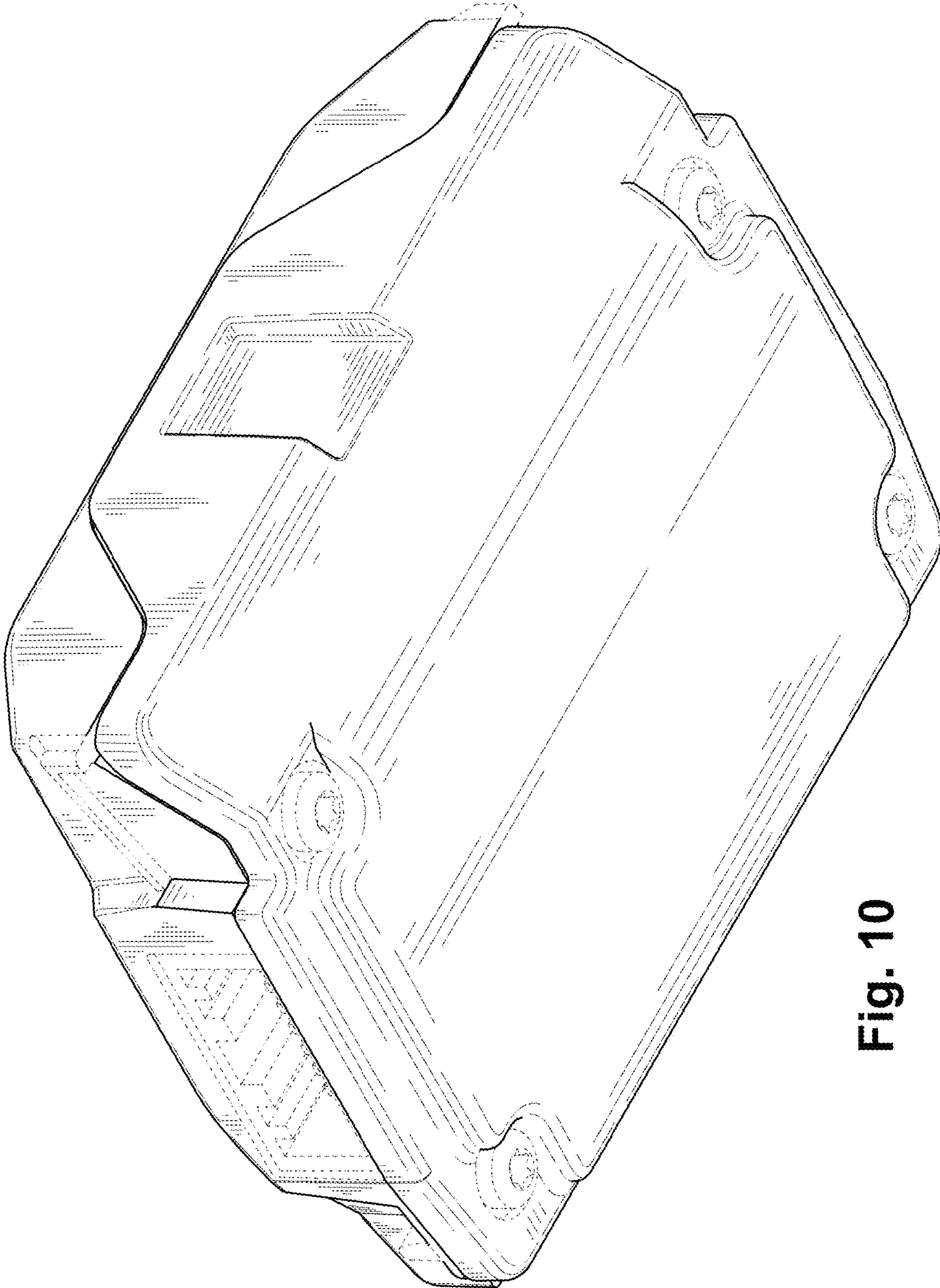


Fig. 10

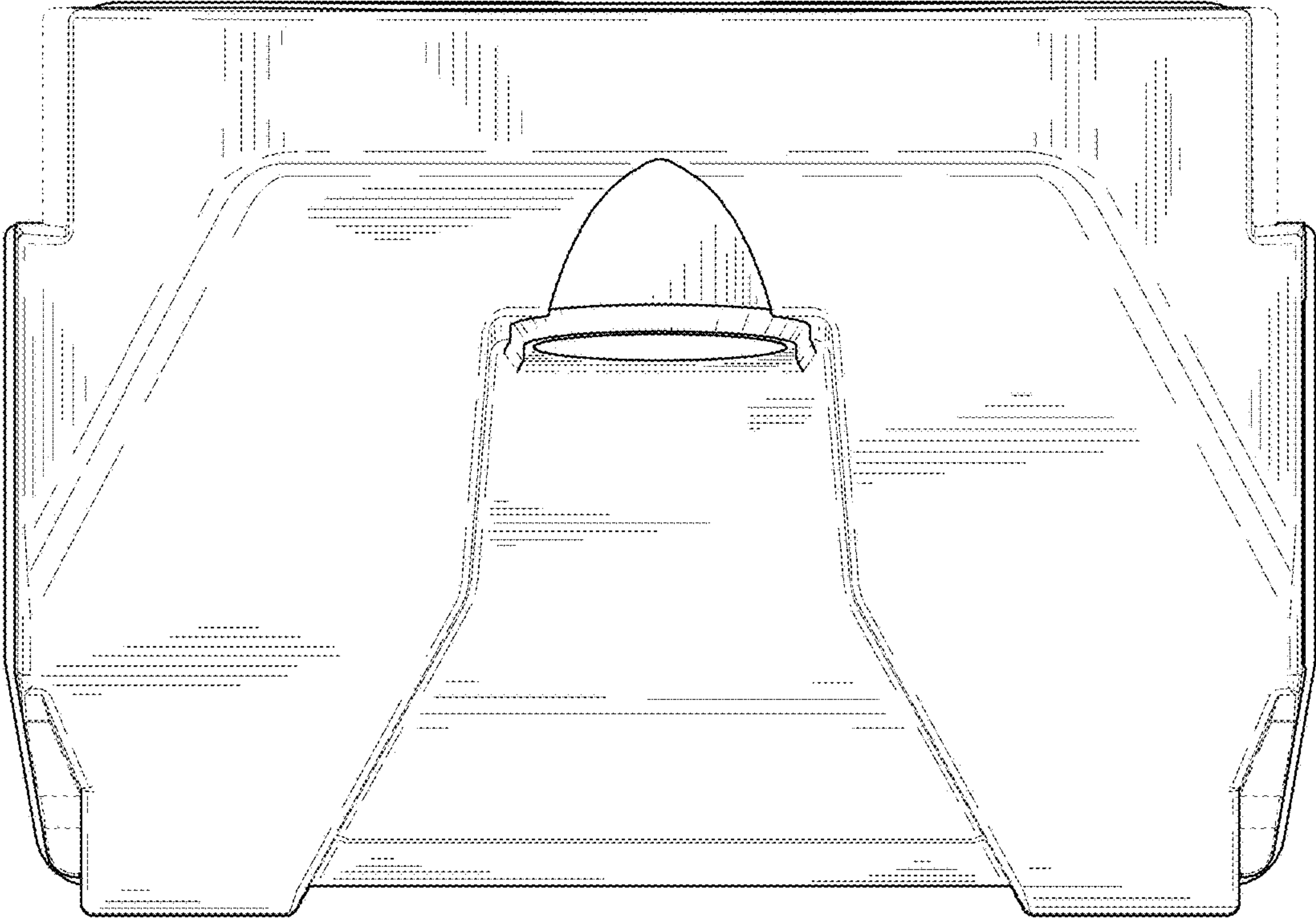


Fig. 11

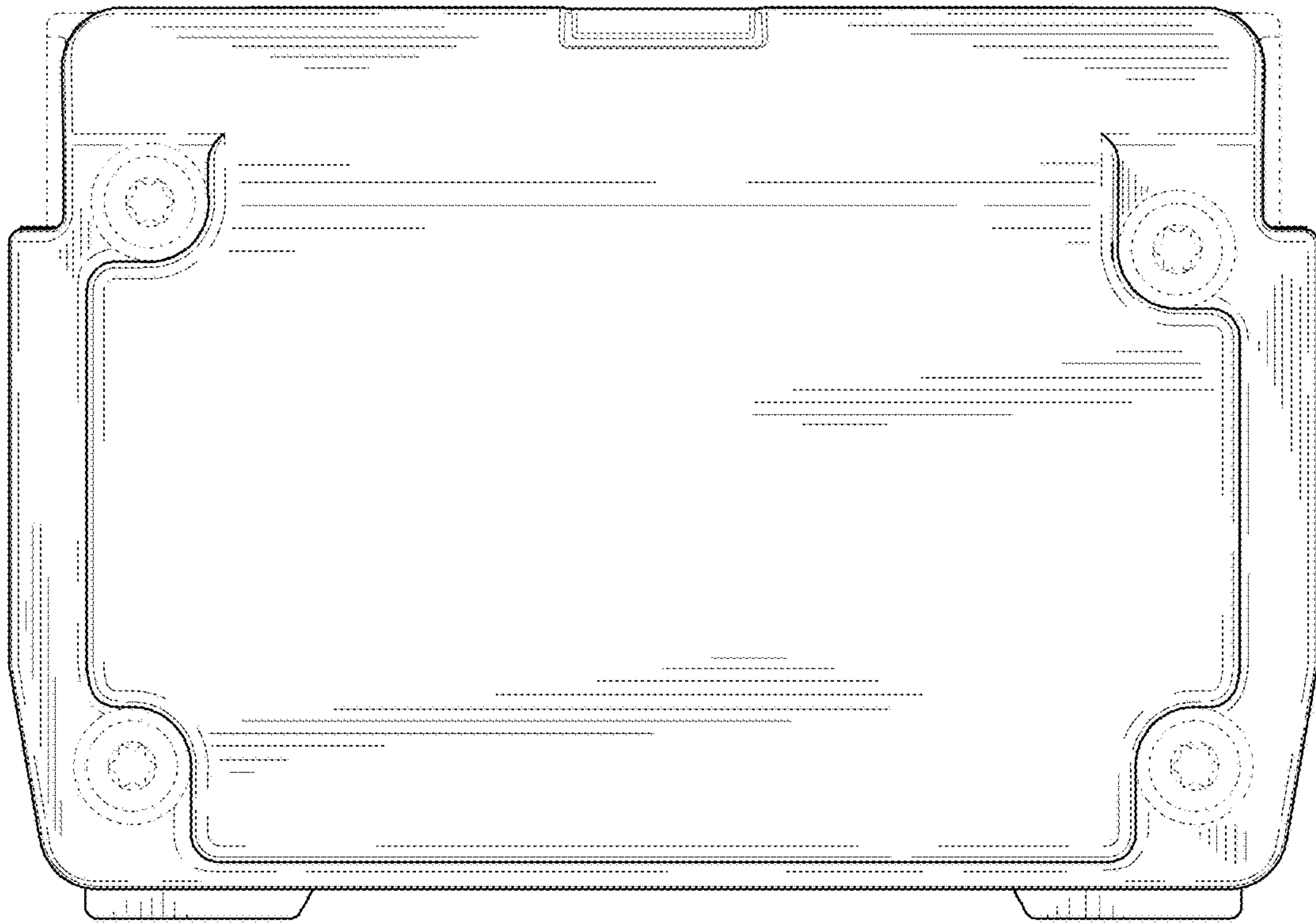


Fig. 12

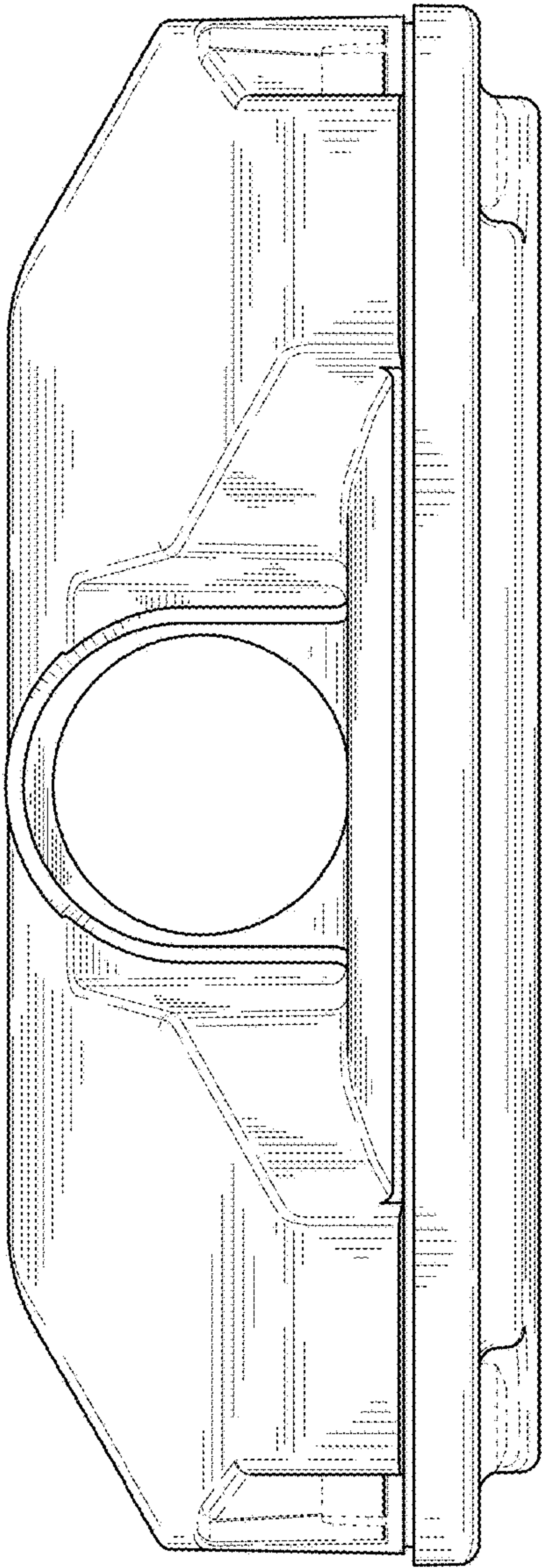


Fig. 13

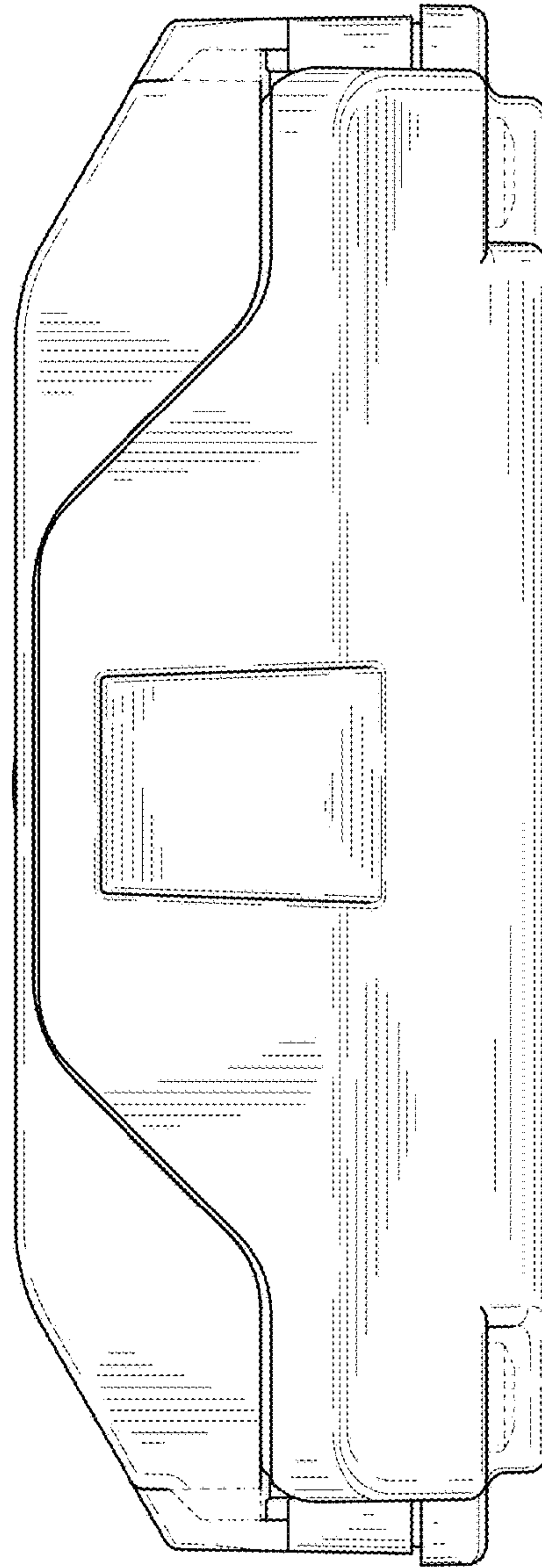


Fig. 14

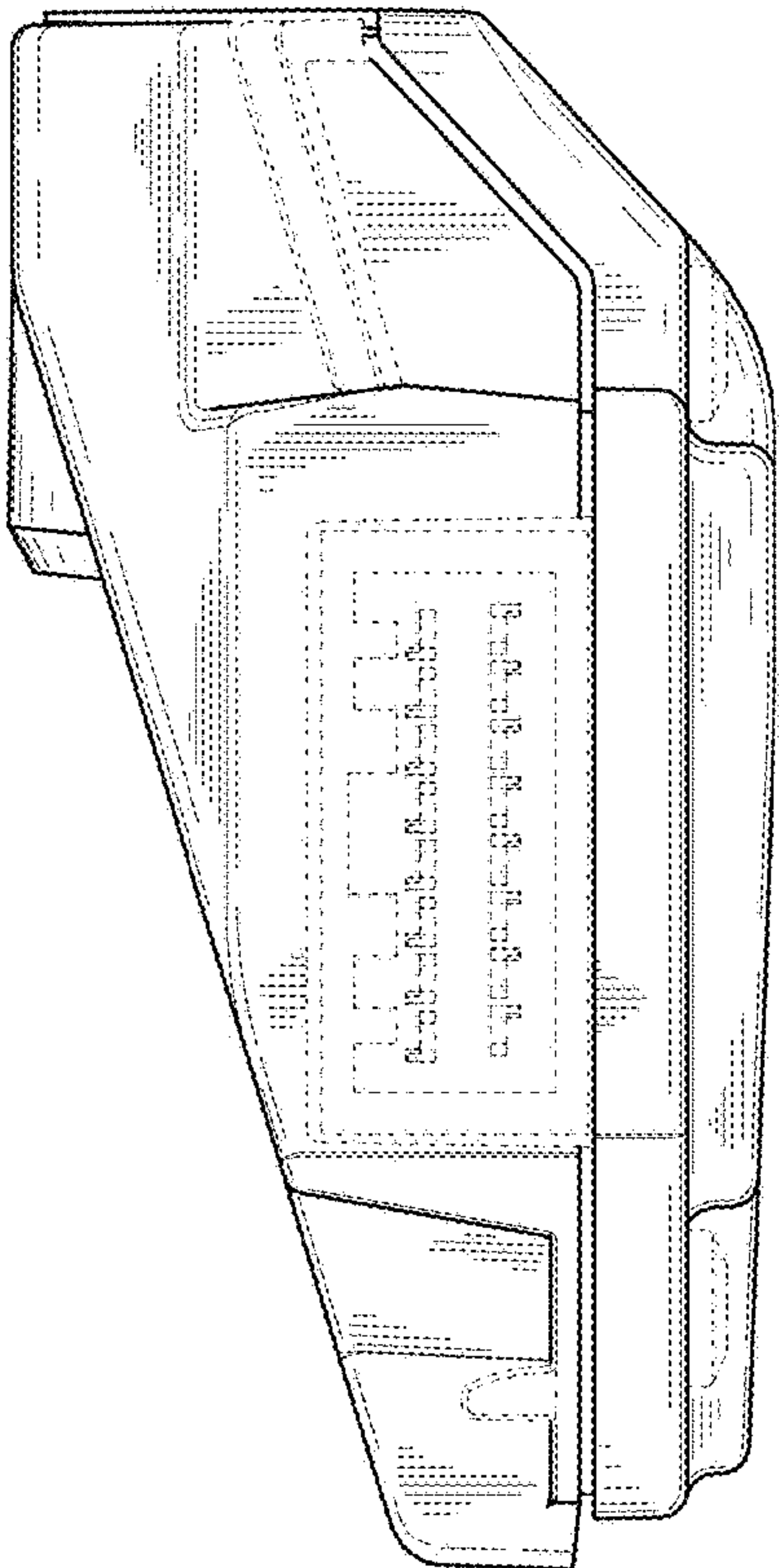


Fig. 15

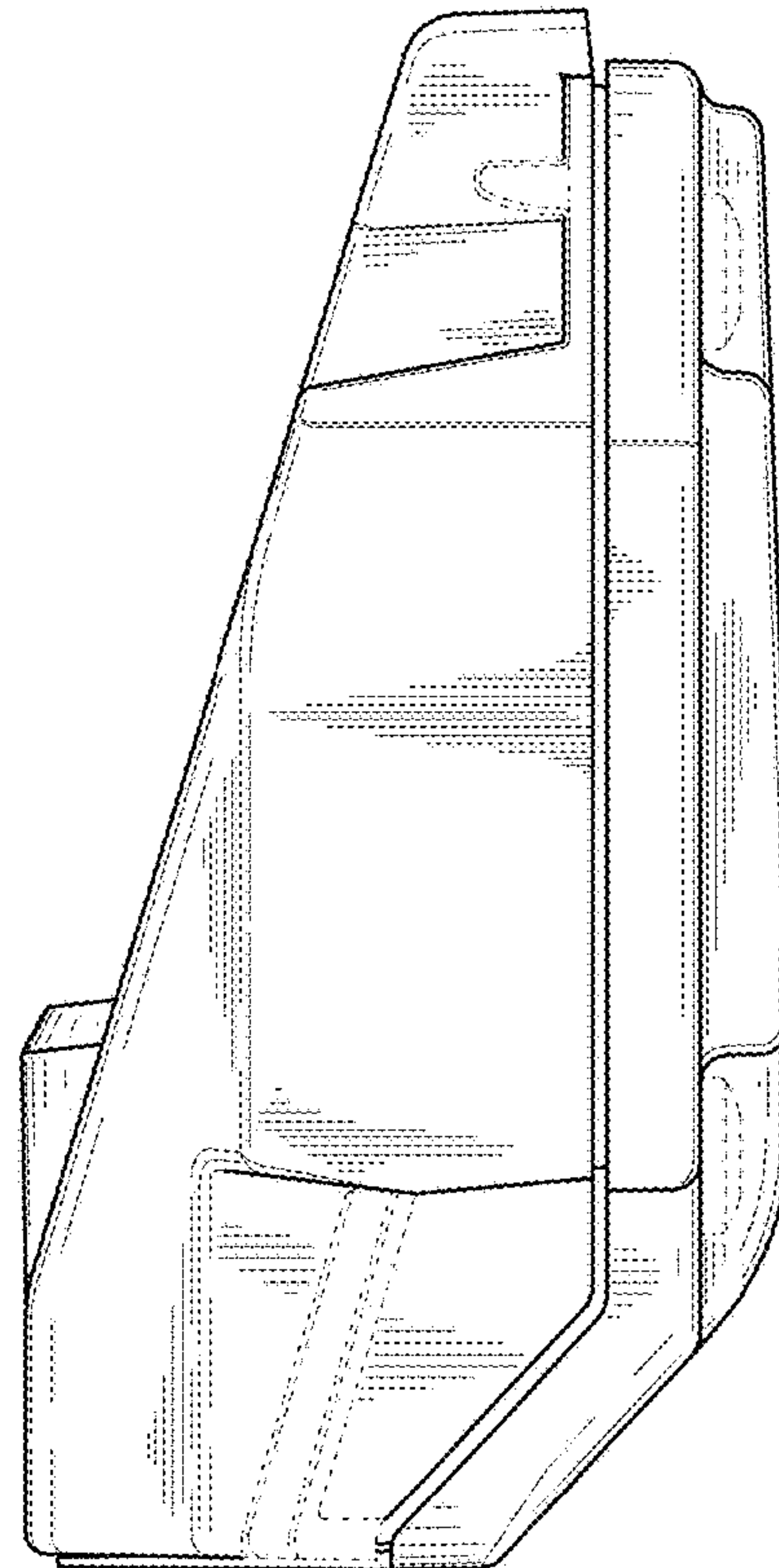


Fig. 16