



US00D834630S

(12) **United States Design Patent**  
**Huang**

(10) **Patent No.:** **US D834,630 S**

(45) **Date of Patent:** **\*\* Nov. 27, 2018**

(54) **SURVEILLANCE CAMERA**

(71) Applicant: **VIVOTEK INC.**, New Taipei (TW)

(72) Inventor: **Chung-Yon Huang**, New Taipei (TW)

(73) Assignee: **VIVOTEK INC.**, New Taipei (TW)

(\*\*) Term: **15 Years**

(21) Appl. No.: **29/574,455**

(22) Filed: **Aug. 16, 2016**

(51) **LOC (11) Cl.** ..... **16-01**

(52) **U.S. Cl.**  
USPC ..... **D16/203**

(58) **Field of Classification Search**  
USPC ..... D16/200–220, 239, 242, 243, 244, 245;  
D3/267, 265; D26/140, 26, 138, 142, 60,  
D26/61, 62, 63, 106, 107, 128, 131;  
D12/187; D14/204, 195, 181, 183, 215,  
D14/209, 210, 224  
CPC .. A61B 5/00; A61B 17/34; B60R 1/00; B60R  
11/04; B64D 47/08; F16M 11/12; G03B  
5/00; G03B 7/26; G03B 11/04; G03B  
15/00; G03B 17/56; G03B 17/00; G03B  
17/55; G03B 17/02; G08B 15/00; G11B  
5/60; G06K 9/00; H04N 5/232; H04N  
5/225; H04N 7/18; H04N 7/173; H04N  
13/02

See application file for complete search history.

(56) **References Cited**

**U.S. PATENT DOCUMENTS**

2,955,669 A \* 10/1960 Rice ..... H04R 1/2865  
181/199  
D211,581 S \* 7/1968 Lee ..... D14/210  
D306,168 S \* 2/1990 Caputo ..... D14/204  
D375,958 S \* 11/1996 Asencio ..... D14/211  
D412,924 S \* 8/1999 Hiraguchi ..... D16/203  
D416,273 S \* 11/1999 Yamakawa ..... D16/203  
D425,535 S \* 5/2000 Mutoh ..... D10/106.1

D505,940 S \* 6/2005 Yao ..... D14/215  
D541,260 S \* 4/2007 Christianson ..... D14/215  
D551,362 S \* 9/2007 Ottosson ..... D26/26  
D615,067 S \* 5/2010 Wilson ..... D14/167  
D633,120 S \* 2/2011 Ham ..... D16/203  
D639,842 S \* 6/2011 Zeinoun ..... D16/203  
D677,297 S \* 3/2013 Bart ..... D16/203  
D688,720 S \* 8/2013 Yilin ..... D16/203

(Continued)

**FOREIGN PATENT DOCUMENTS**

CN 302895288 \* 7/2014

**OTHER PUBLICATIONS**

Corn Corner Camera, announced Jul. 9, 2012 [online], [site visited Sep. 16, 2017], Available from Internet, URL: <<https://www.youtube.com/watch?v=JRwTN5U2gP0>> @ 0:27.\*

(Continued)

*Primary Examiner* — Barbara Fox  
*Assistant Examiner* — Mary C Ramirez  
(74) *Attorney, Agent, or Firm* — Winston Hsu

(57) **CLAIM**

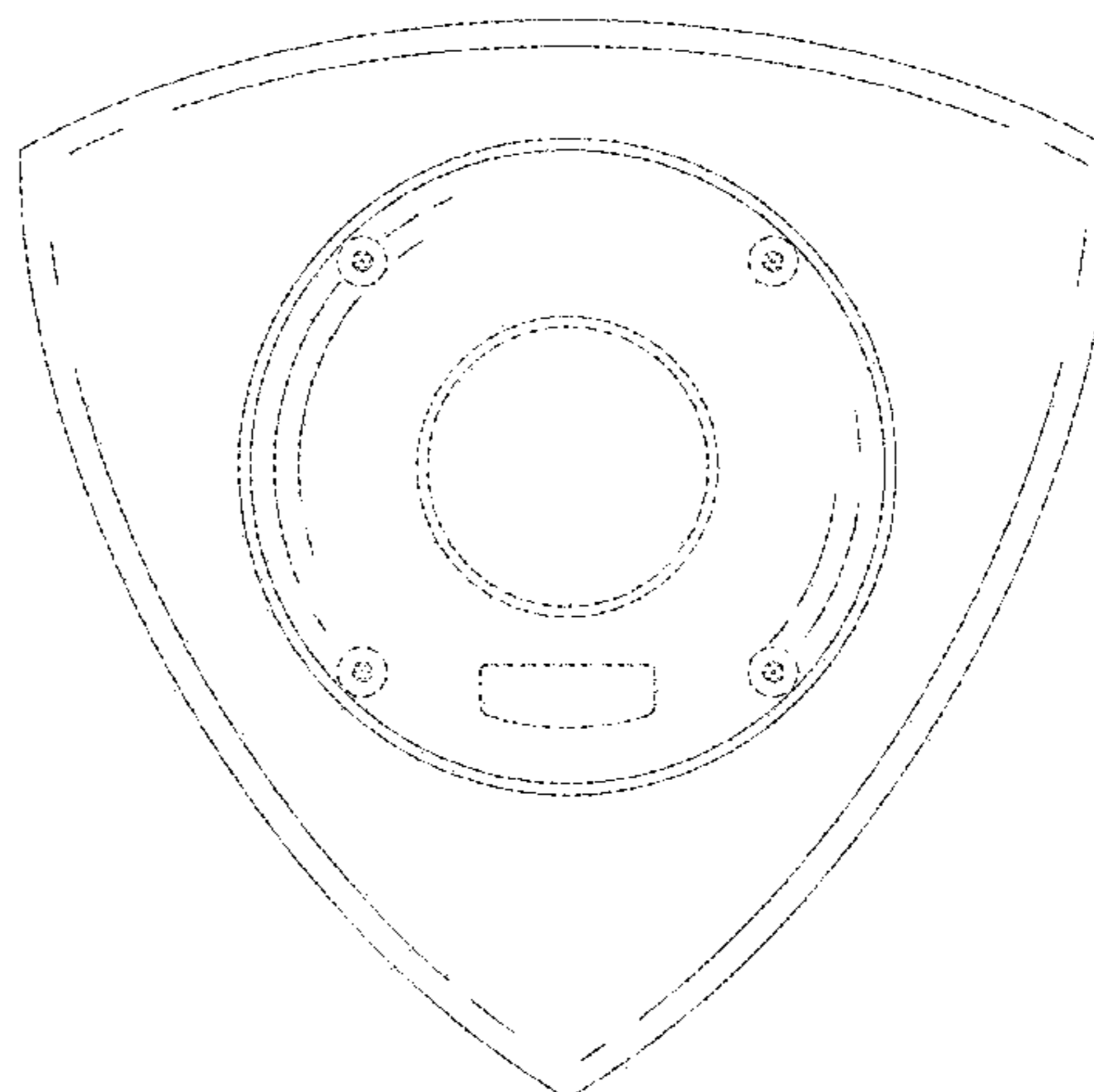
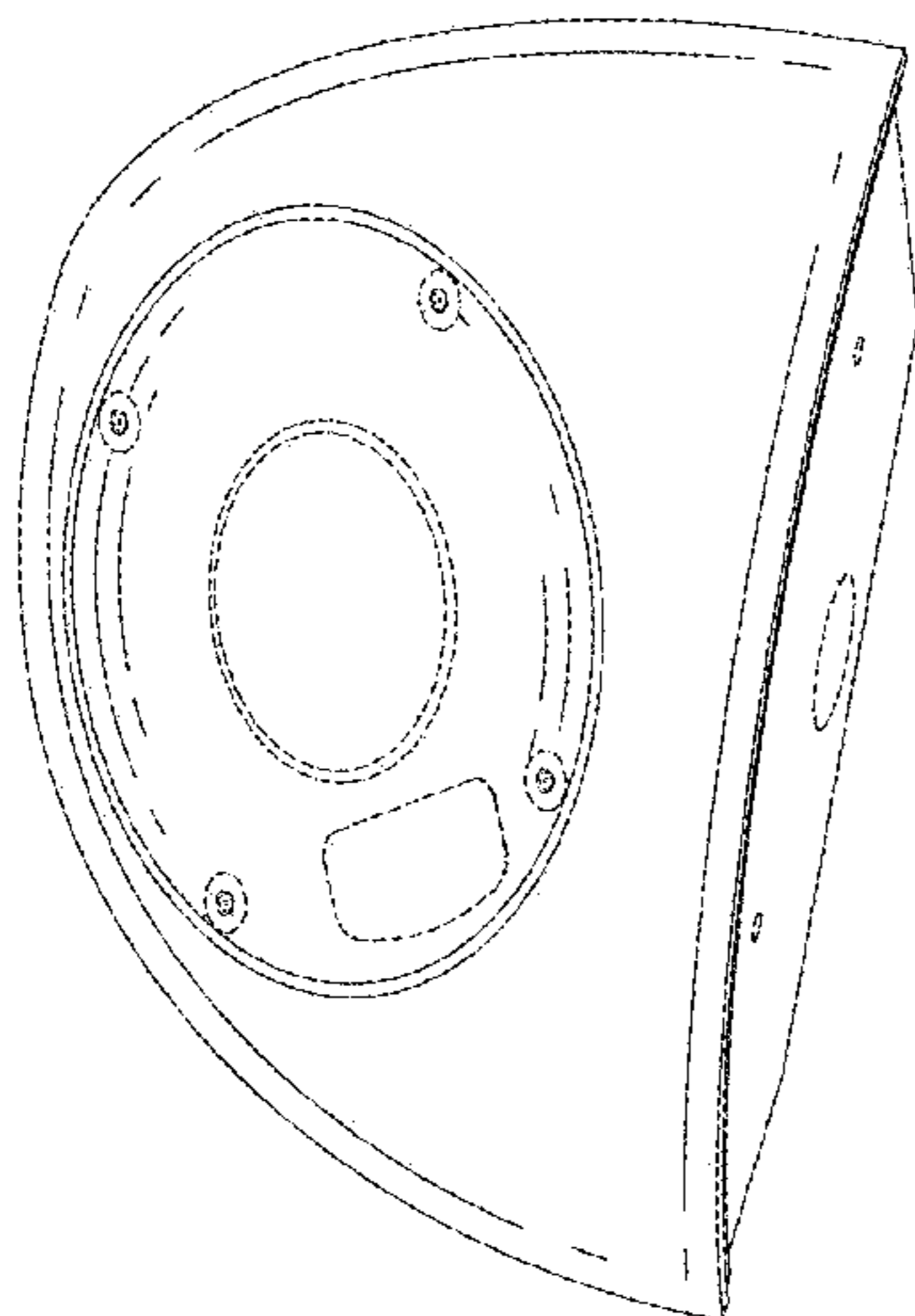
The ornamental design for a surveillance camera, as shown and described.

**DESCRIPTION**

FIG. 1 is a front, right, bottom perspective view of a surveillance camera showing my new design;  
FIG. 2 is a front view thereof;  
FIG. 3 is a rear view thereof;  
FIG. 4 is a left side view thereof;  
FIG. 5 is a right side view thereof;  
FIG. 6 is a top view thereof; and,  
FIG. 7 is a bottom view thereof.

The broken lines shown in the drawings depict portions of the surveillance camera that form no part of the claimed design.

**1 Claim, 7 Drawing Sheets**



(56)

**References Cited**

## U.S. PATENT DOCUMENTS

D689,040 S	*	9/2013	Calhoun .....	D14/210
D694,305 S	*	11/2013	Katori .....	D16/203
D694,306 S	*	11/2013	Katori .....	D16/203
D728,518 S	*	5/2015	Babataher .....	D14/215
D729,859 S	*	5/2015	Shin .....	D16/203
D731,464 S	*	6/2015	Valeur .....	D14/211
D751,129 S	*	3/2016	Lellky .....	D16/203
D752,674 S	*	3/2016	Katori .....	D16/203

## OTHER PUBLICATIONS

Corner mount of Axis Q8414 LVS, announced Jan. 19, 2015 [online], [site visited Sep. 16, 2017], Available from Internet, URL: <<https://www.youtube.com/watch?v=VUksYUyb1ss>> @ 1:12.\*

Speco Corner Mount Speaker, announced Nov. 14, 2014 [online], [site visited Sep. 16, 2017], Available from Internet, URL: <<https://www.surveillance-video.com/media/lanot/attachments/customimport/SMSM411W6.pdf>>.\*

Axis Q8414-LVS, announced Sep. 23, 2014 [online], [site visited Sep. 16, 2017], Available from Internet, URL: <<https://www.use-ip.co.uk/axis-q8414-lvs-corner-mount-stainless-steel-network-camera-metal-0709-001.html>>.\*

\* cited by examiner

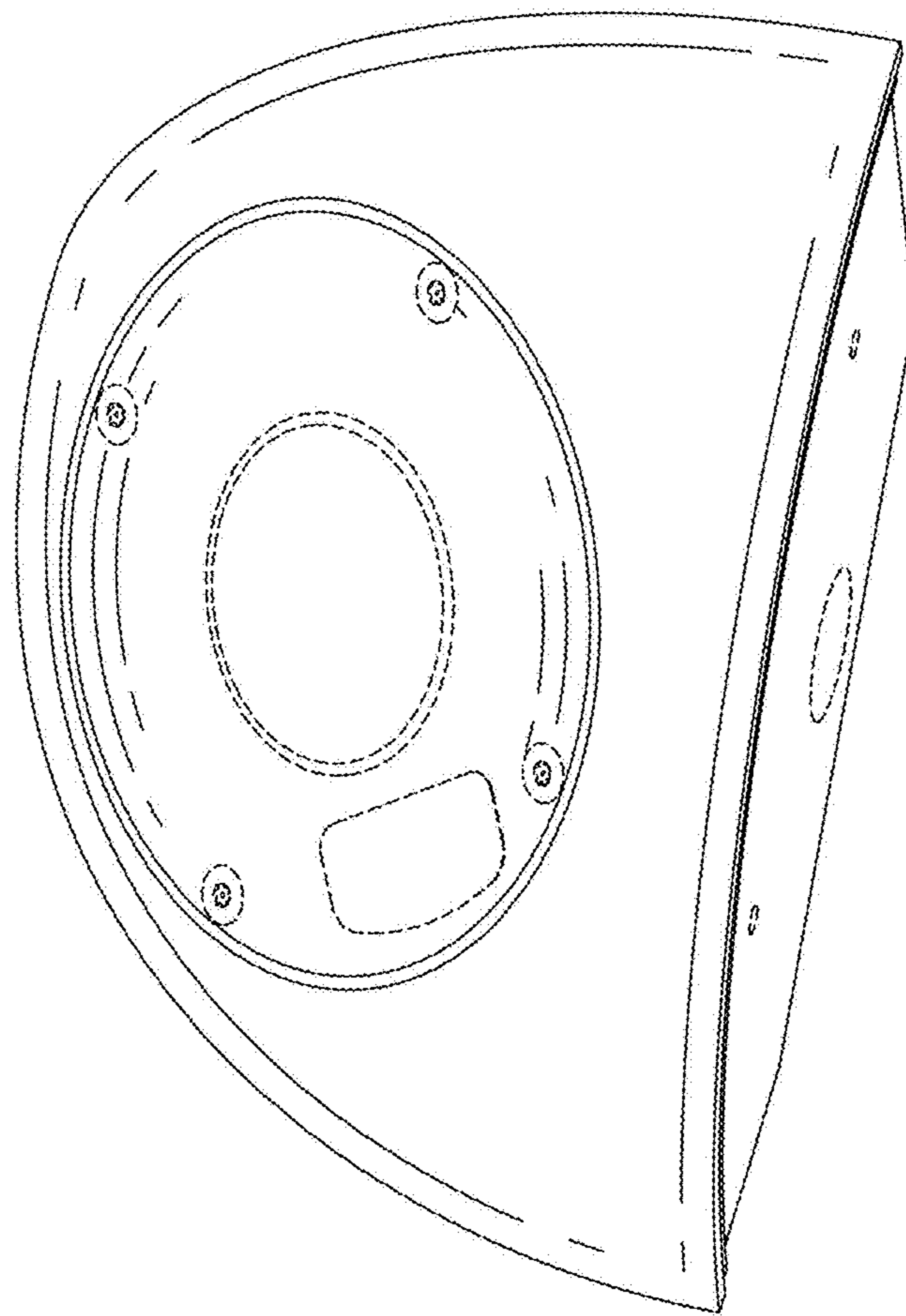


FIG. 1

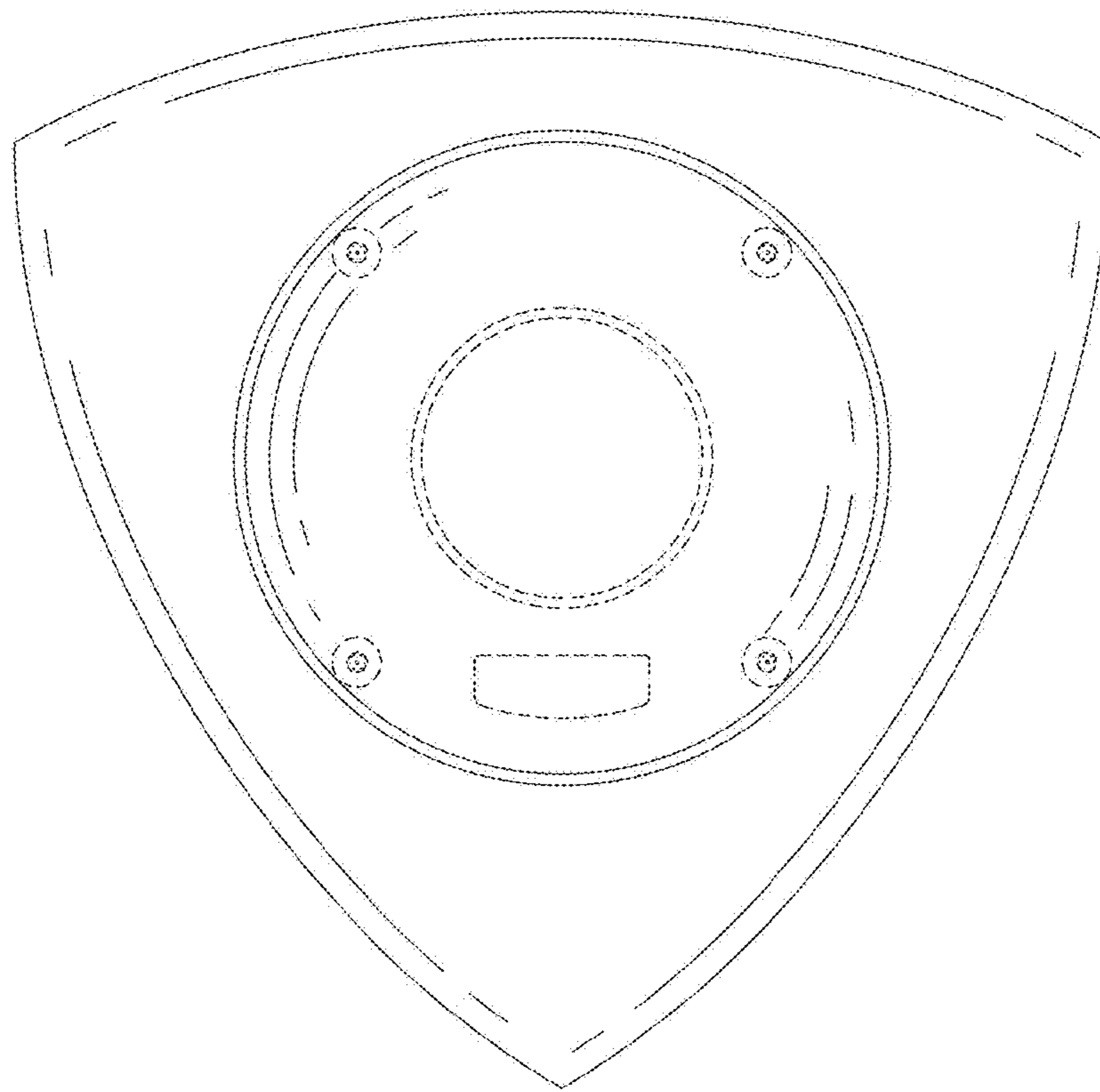


FIG. 2

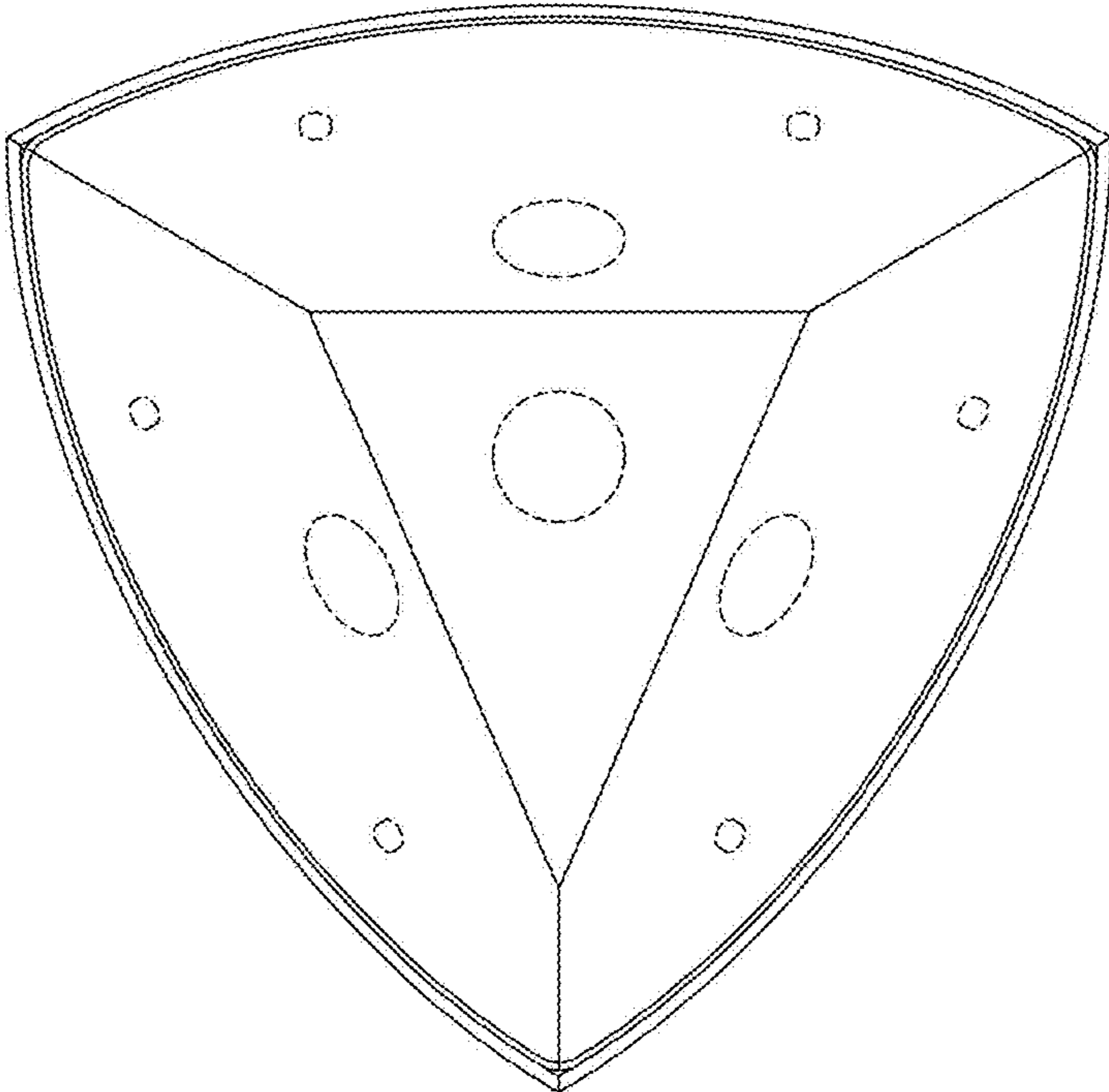


FIG. 3

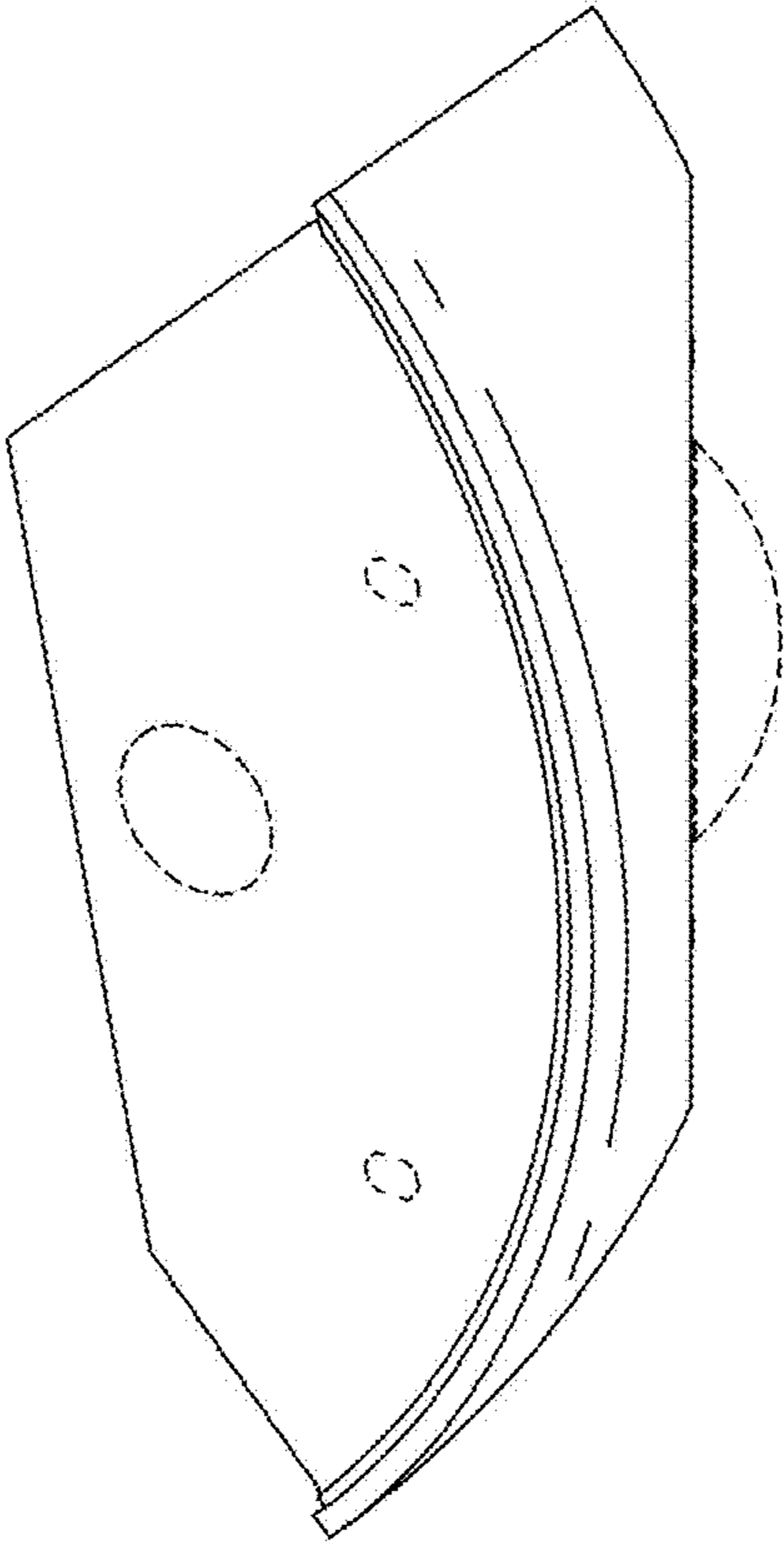


FIG. 4

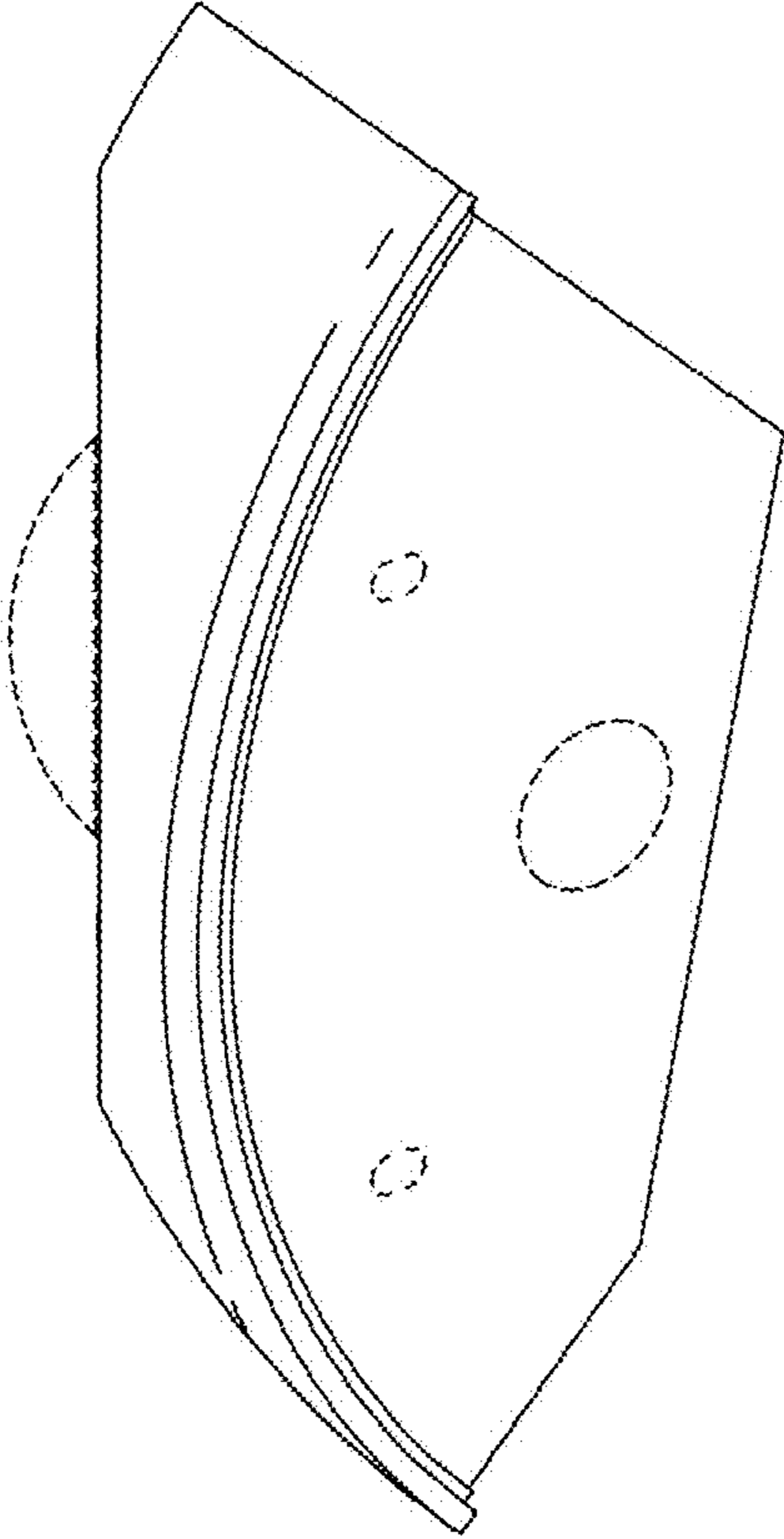


FIG. 5

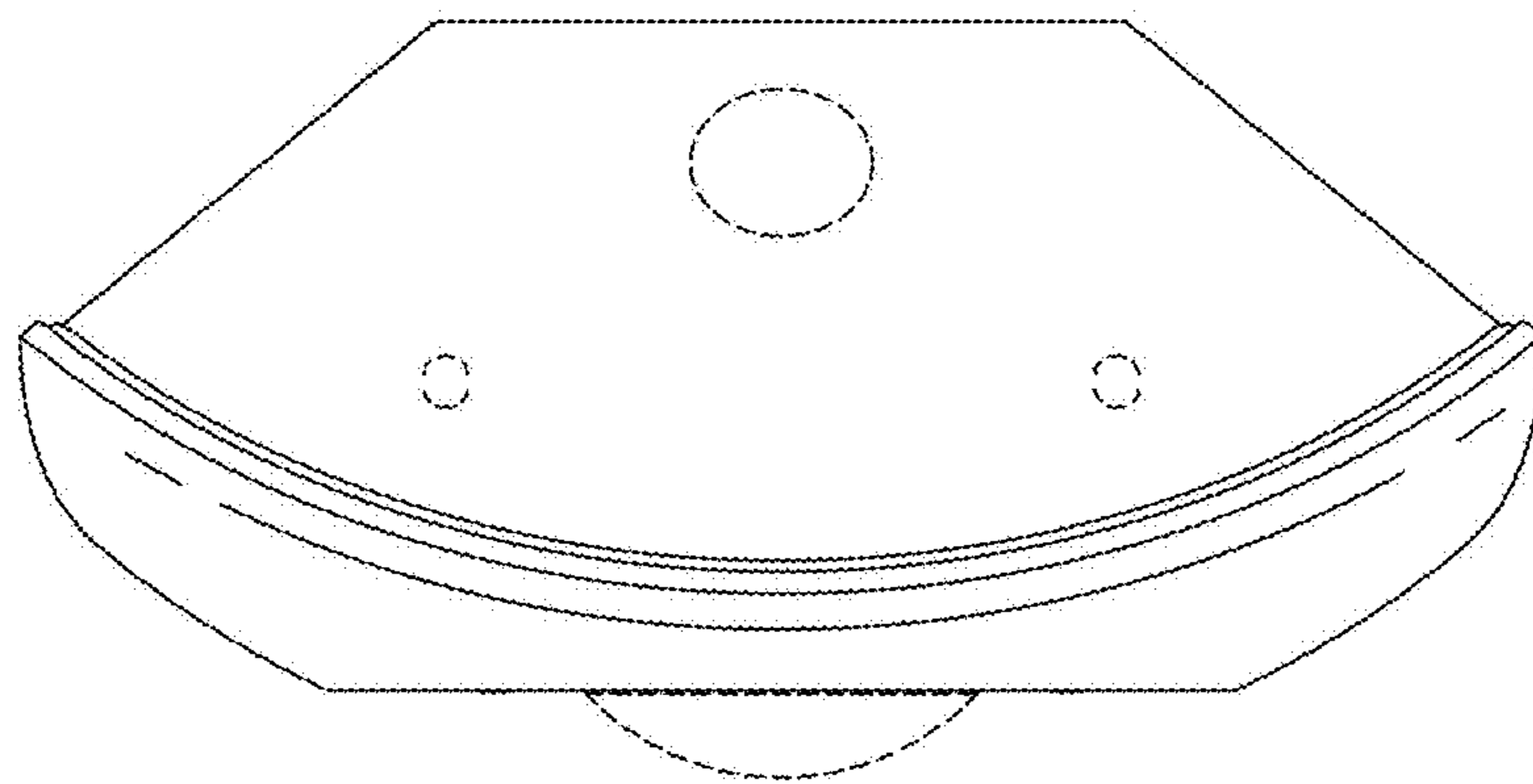


FIG. 6



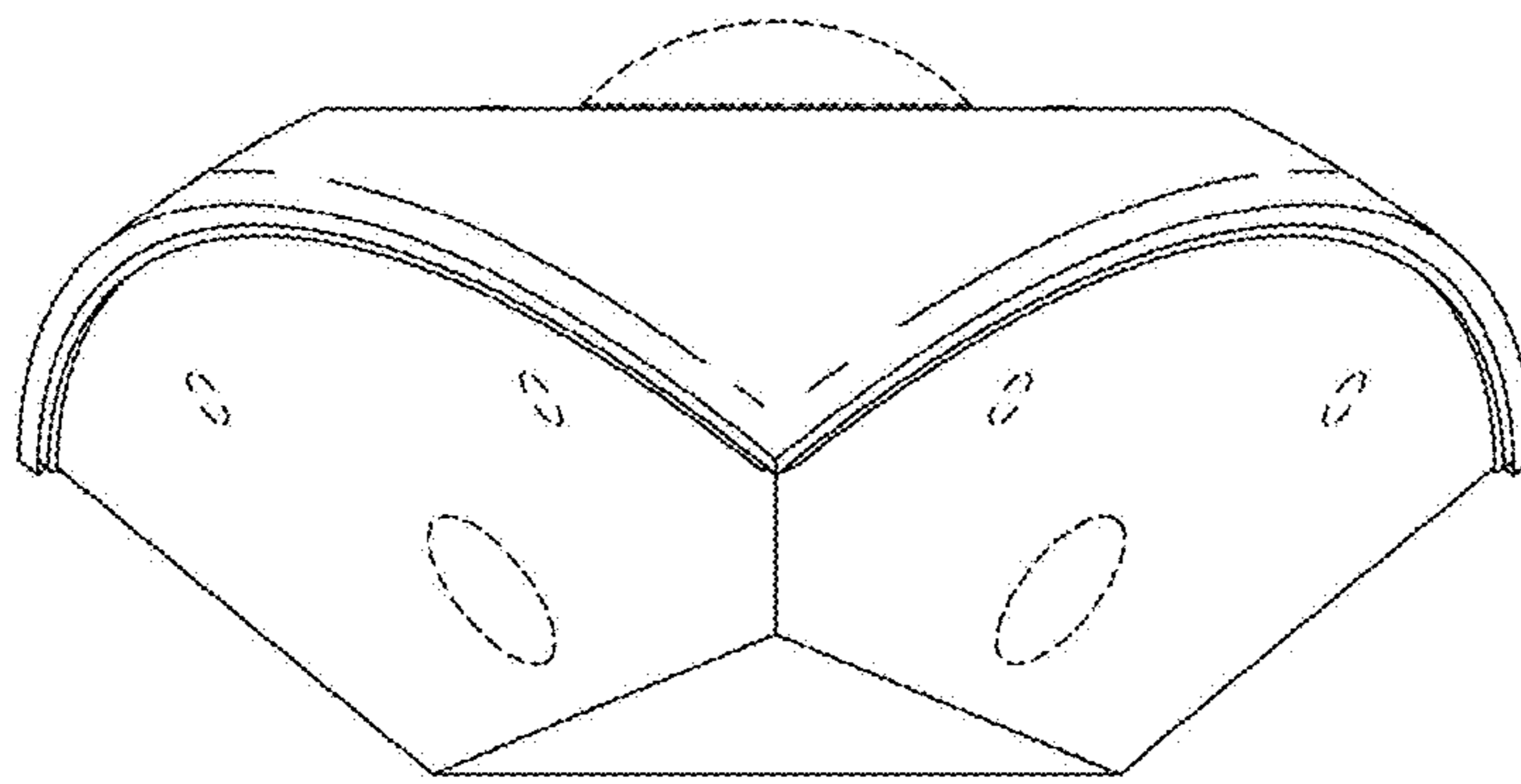


FIG. 7