



US00D834627S

(12) **United States Design Patent**
Fu et al.

(10) **Patent No.:** **US D834,627 S**

(45) **Date of Patent:** **** Nov. 27, 2018**

(54) **TEACHING PENDANT PROTECTIVE JACKET**

(71) Applicant: **ABB Schweiz AG**, Baden (CH)

(72) Inventors: **Xinguo Fu**, Shanghai (CN); **Jie Xu**, Shanghai (CN); **Cheng Wu**, Shanghai (CN)

(73) Assignee: **ABB Schweiz AG**, Baden (CH)

(**) Term: **15 Years**

(21) Appl. No.: **29/605,490**

(22) Filed: **May 26, 2017**

(30) **Foreign Application Priority Data**

Nov. 29, 2016 (CN) 2016 3 0580907

(51) **LOC (11) Cl.** **15-99**

(52) **U.S. Cl.**
USPC **D15/199**; D14/328

(58) **Field of Classification Search**
USPC D14/328, 341; D15/199; D19/113
CPC B25J 13/06; G05B 2219/40392
See application file for complete search history.

(56) **References Cited**

U.S. PATENT DOCUMENTS

D349,691 S *	8/1994	Takeichi	D14/339
D356,336 S *	3/1995	Mak	D19/113
D359,031 S *	6/1995	Hatano	D14/336
D380,202 S *	6/1997	Matthes	D14/346
D387,737 S *	12/1997	Mizusugi	D14/346
D392,947 S *	3/1998	Iino	D14/346
D415,121 S *	10/1999	Uematsu	D14/328
RE40,094 E *	2/2008	Nakano	D14/328
D624,073 S *	9/2010	Peng	D14/341
D638,058 S *	5/2011	Oikawa	D18/50
D644,644 S *	9/2011	Wang	D14/415
D651,533 S *	1/2012	Chase	D10/101

D663,333 S *	7/2012	Kitano	D15/199
D715,293 S *	10/2014	Li	D14/346
D719,620 S *	12/2014	Clerc	B25J 5/007
				D15/199
D720,378 S *	12/2014	Dye	D15/199
D725,167 S *	3/2015	Song	D15/199
D726,559 S *	4/2015	Wingate	D10/65
D735,258 S *	7/2015	Jang	D15/199

(Continued)

Primary Examiner — Patricia A Palasik

(74) *Attorney, Agent, or Firm* — Taft Stettinius & Hollister LLP

(57) **CLAIM**

The ornamental design for a teaching pendant protective jacket, as shown and described.

DESCRIPTION

FIG. 1 is a perspective side view of a teaching pendant protective jacket.

FIG. 2 is a front side view of the teaching pendant protective jacket shown in FIG. 1.

FIG. 3 is a back side view of the teaching pendant protective jacket shown in FIG. 1.

FIG. 4 is a top side view of the teaching pendant protective jacket shown in FIG. 1.

FIG. 5 is a bottom side view of the teaching pendant protective jacket shown in FIG. 1.

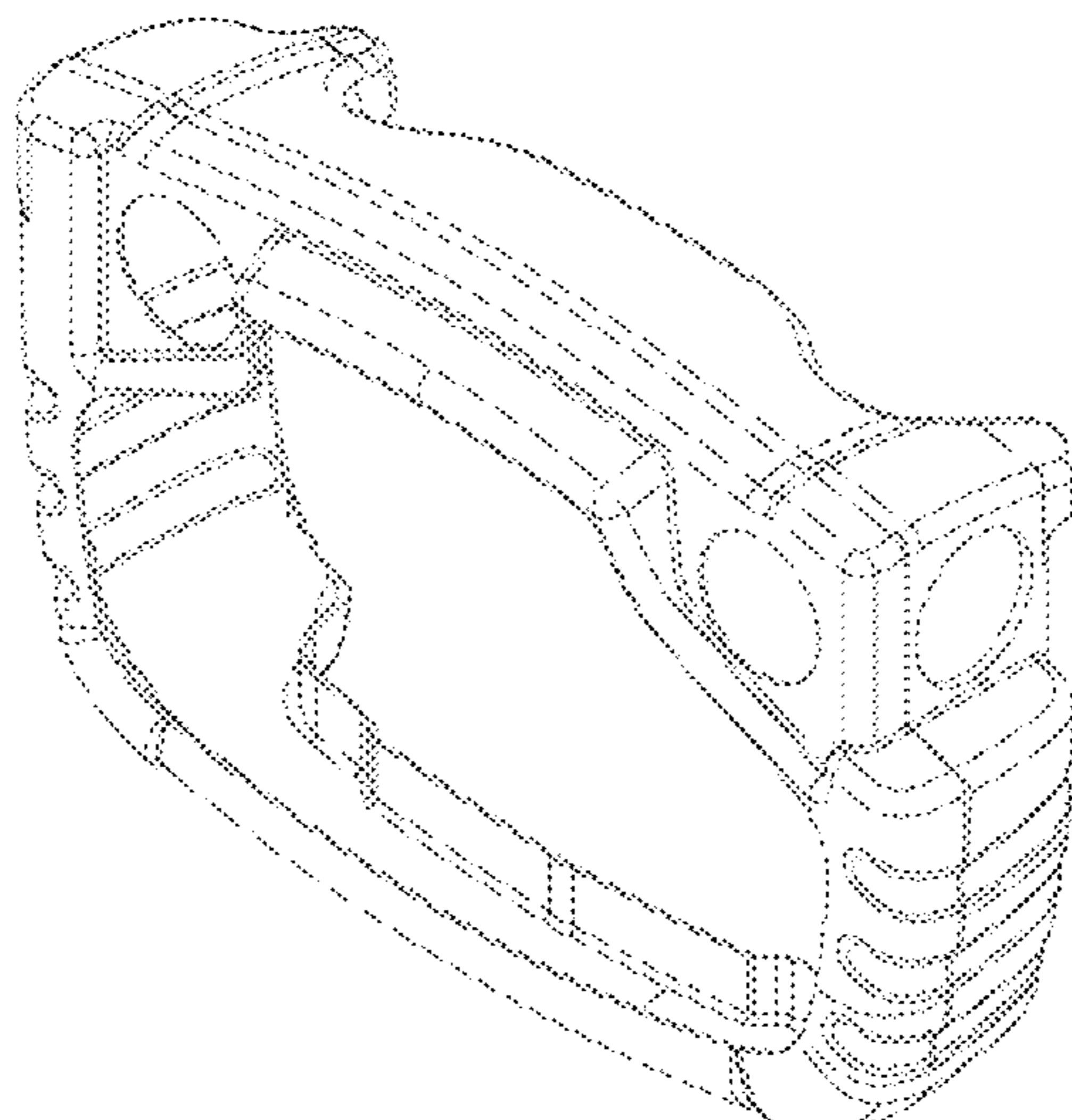
FIG. 6 is a right side view of the teaching pendant protective jacket shown in FIG. 1.

FIG. 7 is a left side view of the teaching pendant protective jacket shown in FIG. 1; and,

FIG. 8 is a perspective side view of a teaching pendant protective jacket in use with an exemplary teaching pendant.

The broken lines showing the exemplary teaching pendant and related components in FIG. 8 are for the purpose of illustrating use of the teaching pendant protective jacket, and form no part of the claimed design.

1 Claim, 6 Drawing Sheets



(56)

References Cited

U.S. PATENT DOCUMENTS

D781,945 S * 3/2017 Uno D15/199
D782,472 S * 3/2017 Tanaka D14/341
D811,458 S * 2/2018 Wang D15/199
D817,951 S * 5/2018 Chang D14/341
D819,103 S * 5/2018 Kapuria D15/199
2001/0045809 A1* 11/2001 Mukai B25J 13/06
318/568.22
2012/0239194 A1* 9/2012 Kagawa B25J 9/1692
700/254
2016/0052141 A1* 2/2016 Ide B25J 13/088
700/245
2016/0358105 A1* 12/2016 Tanaka G06N 99/005
2017/0093309 A1* 3/2017 Nishino B25J 9/126

* cited by examiner

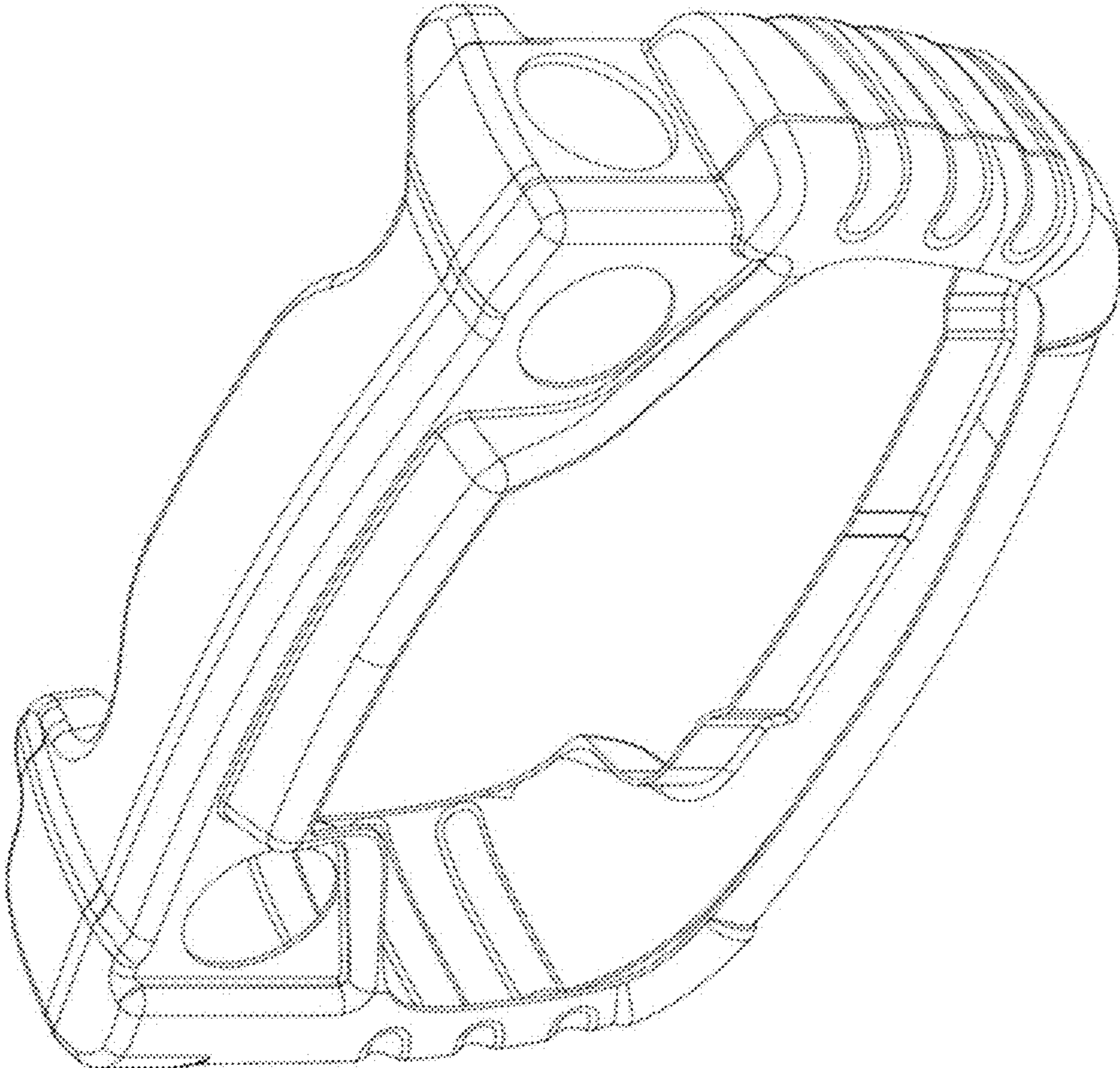


FIGURE 1

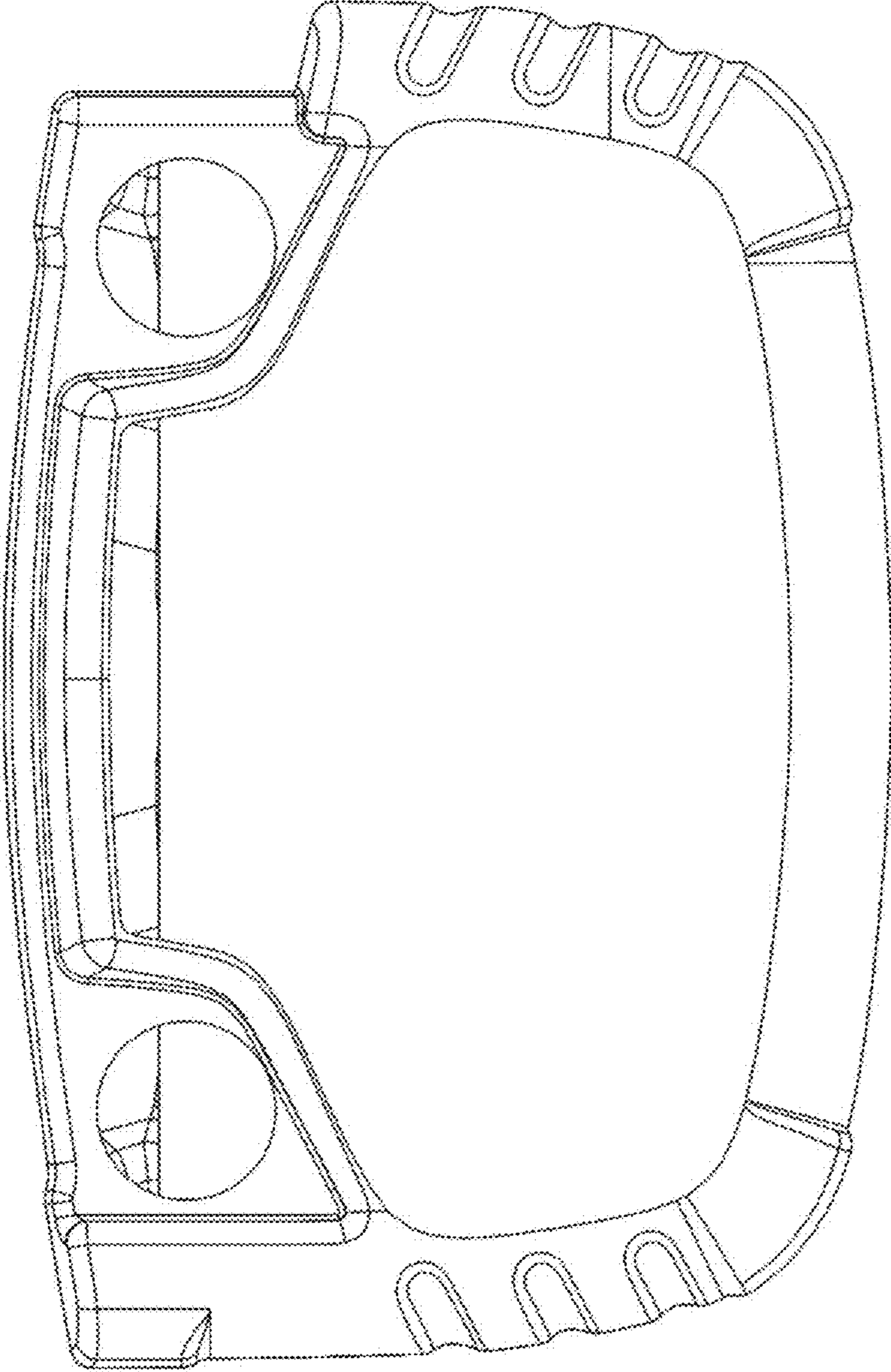


FIGURE 2

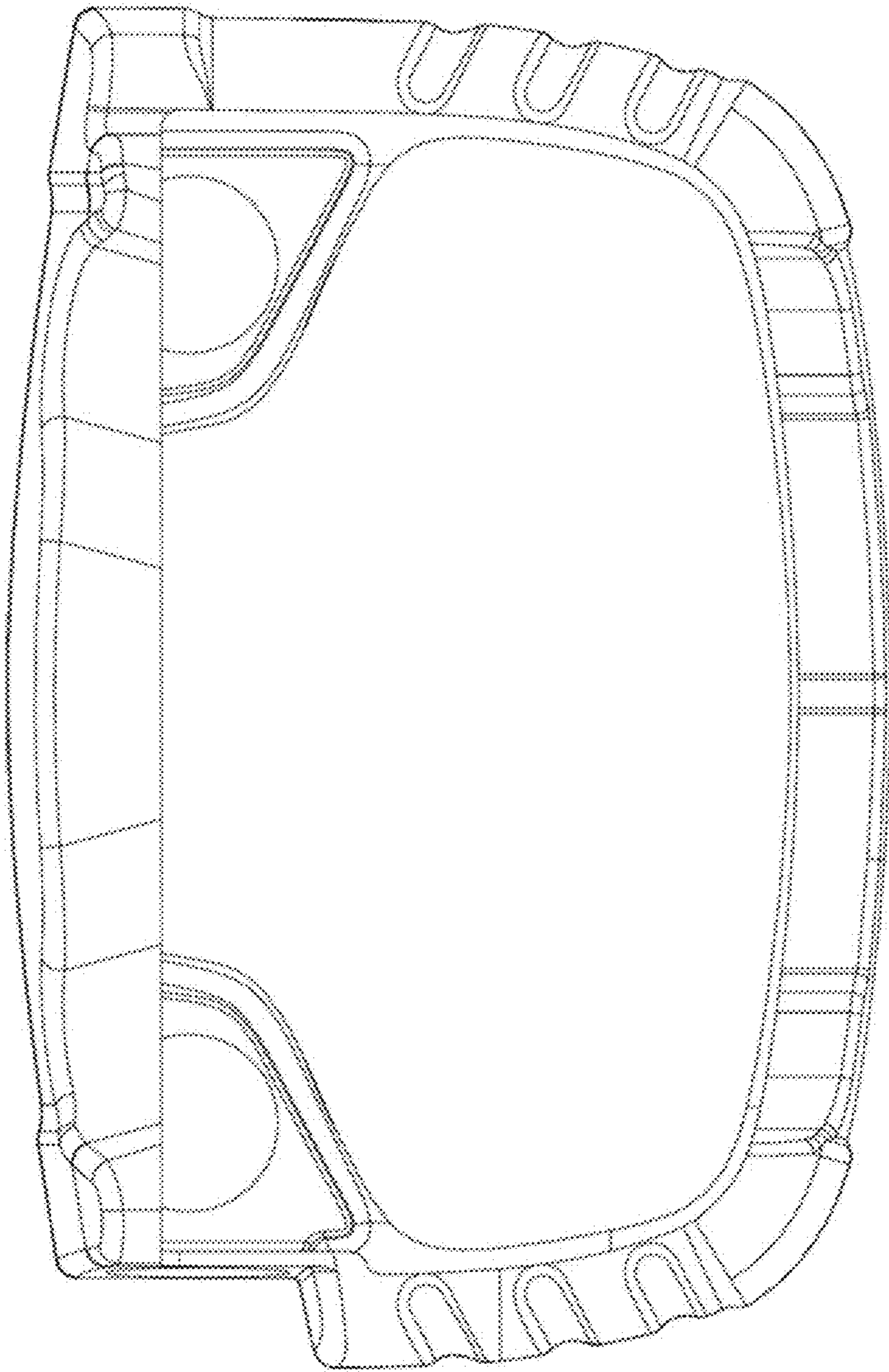


FIGURE 3

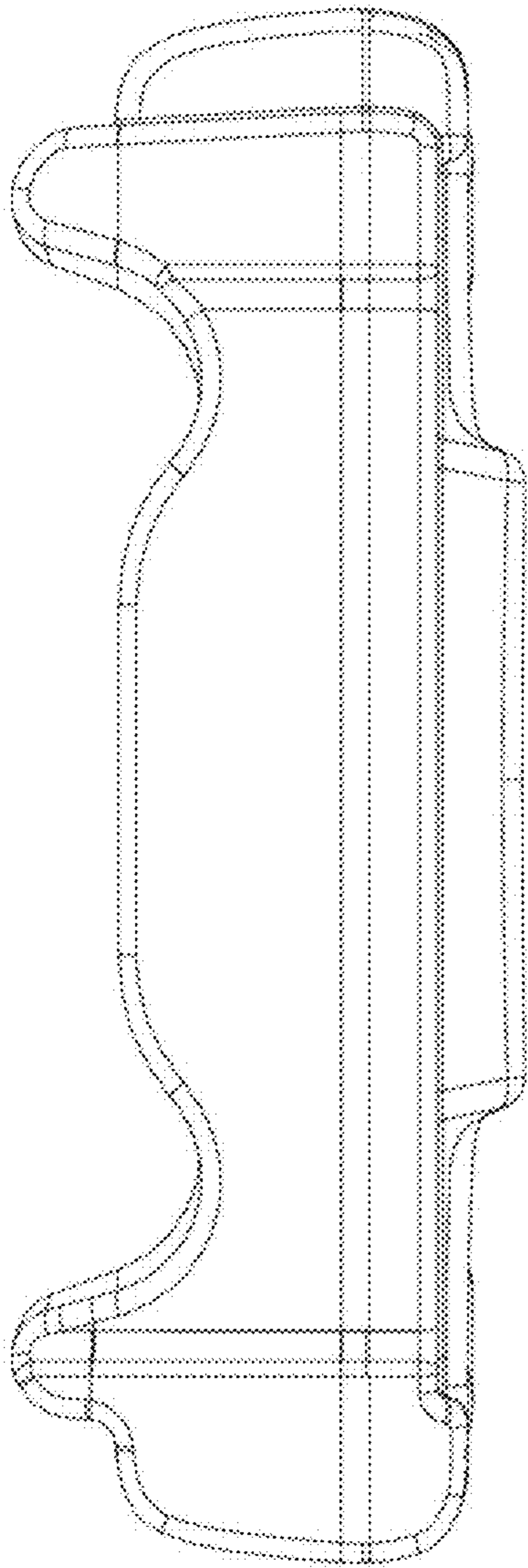


FIGURE 4

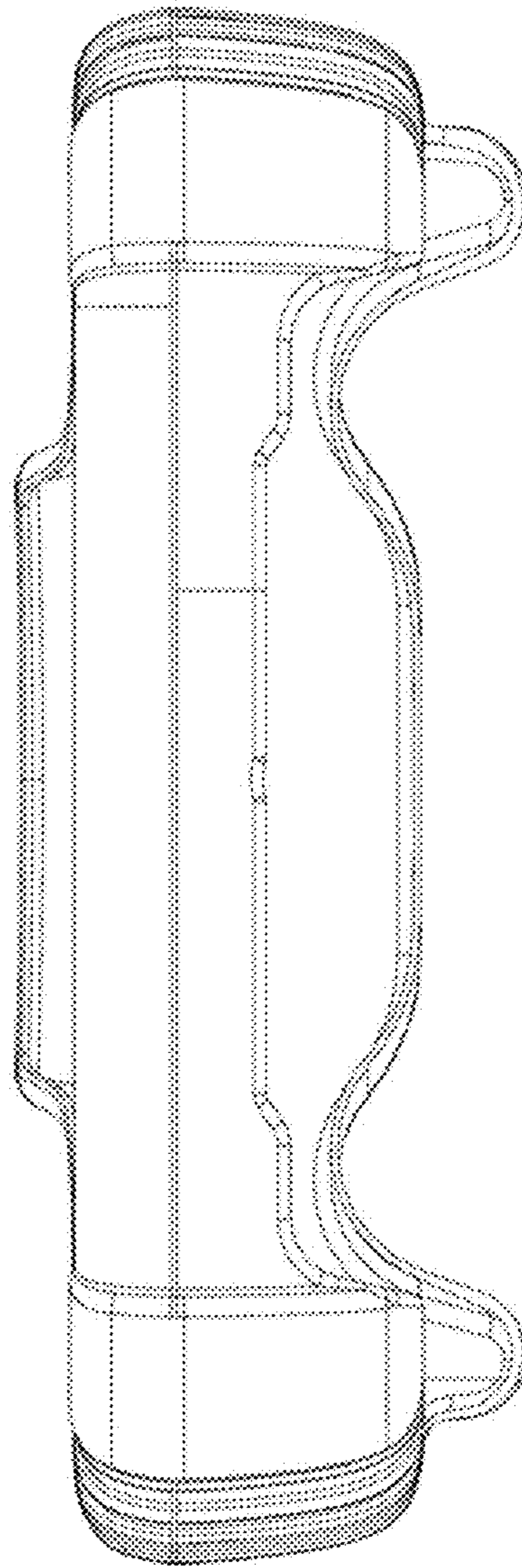


FIGURE 5

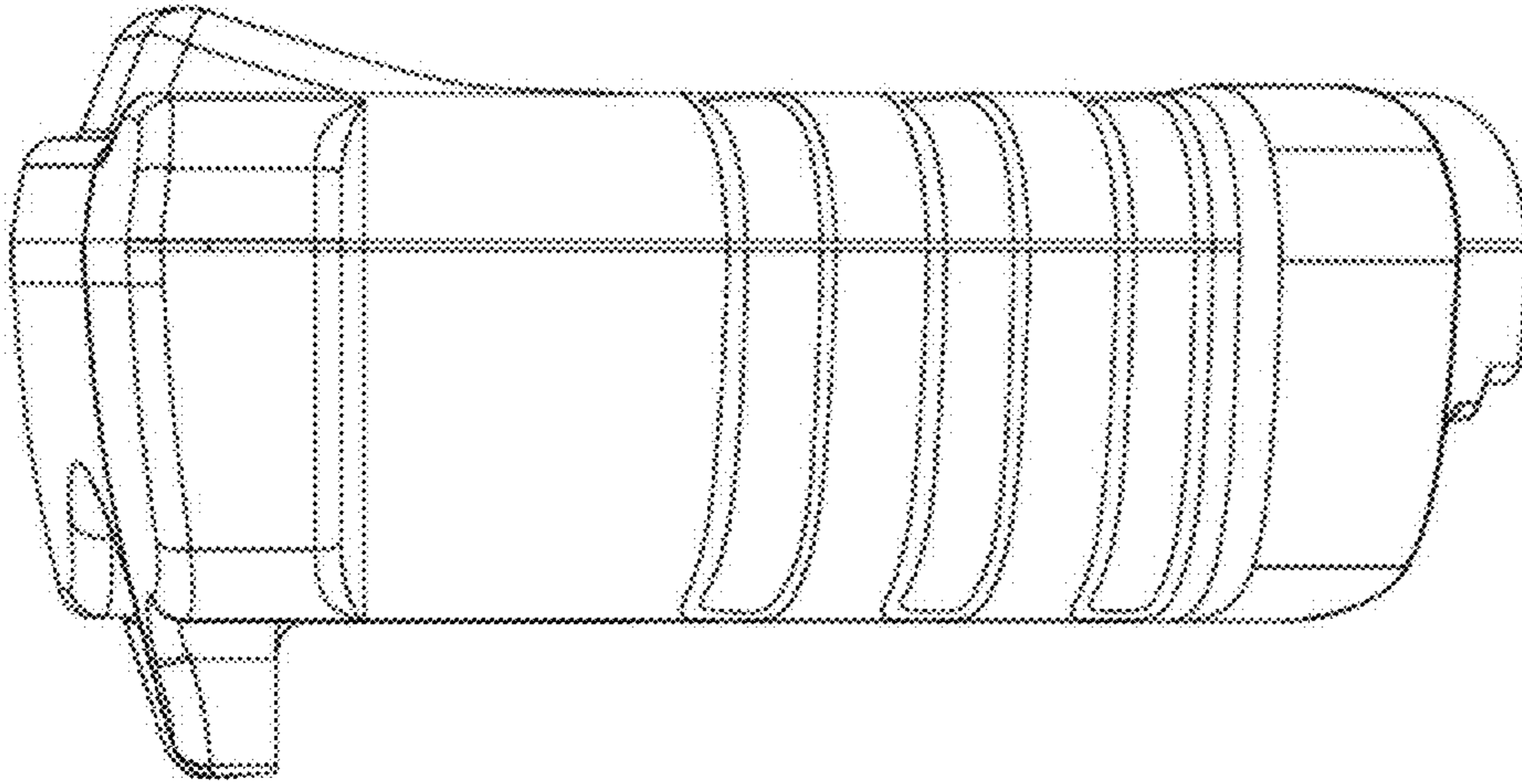


FIGURE 7

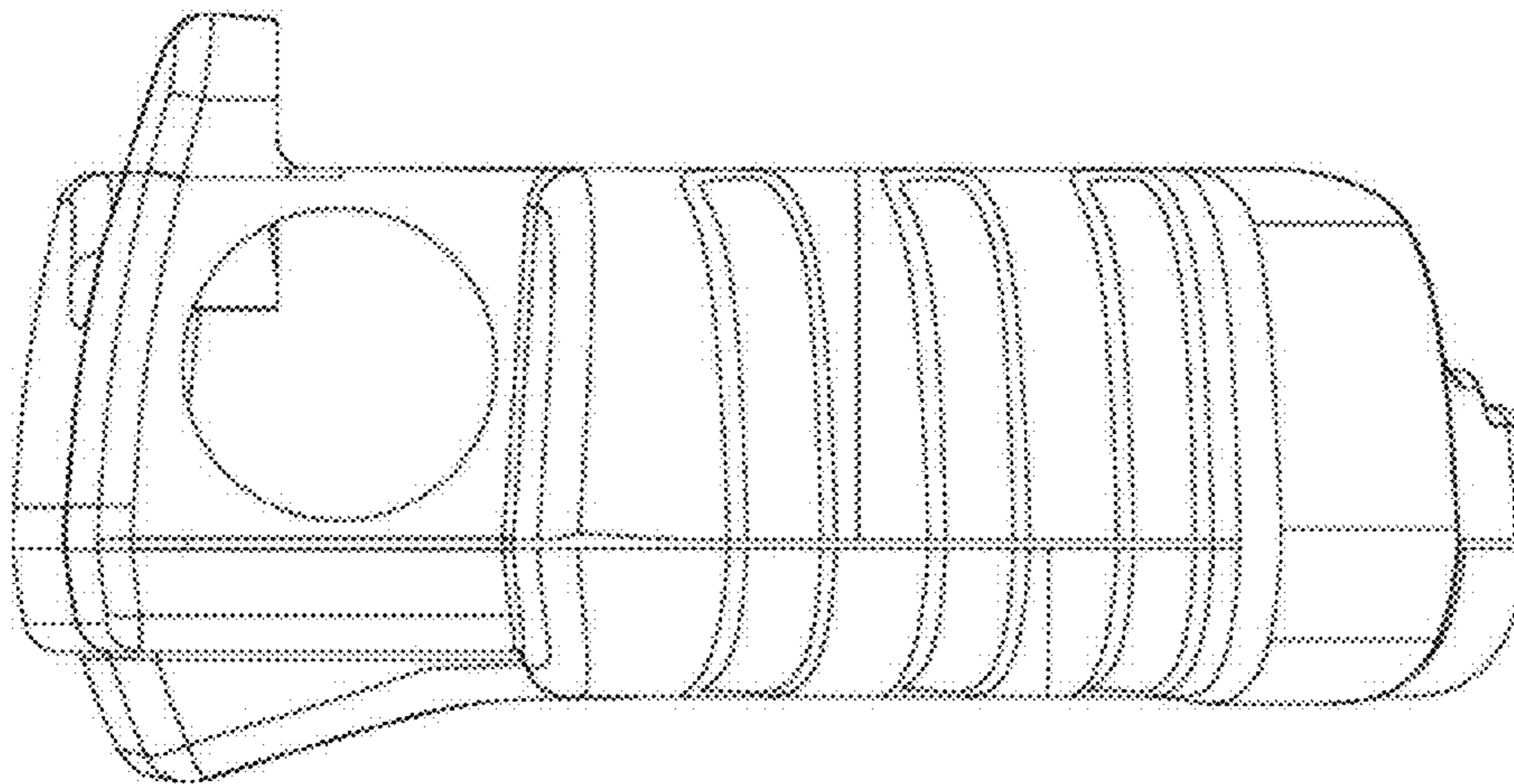


FIGURE 6

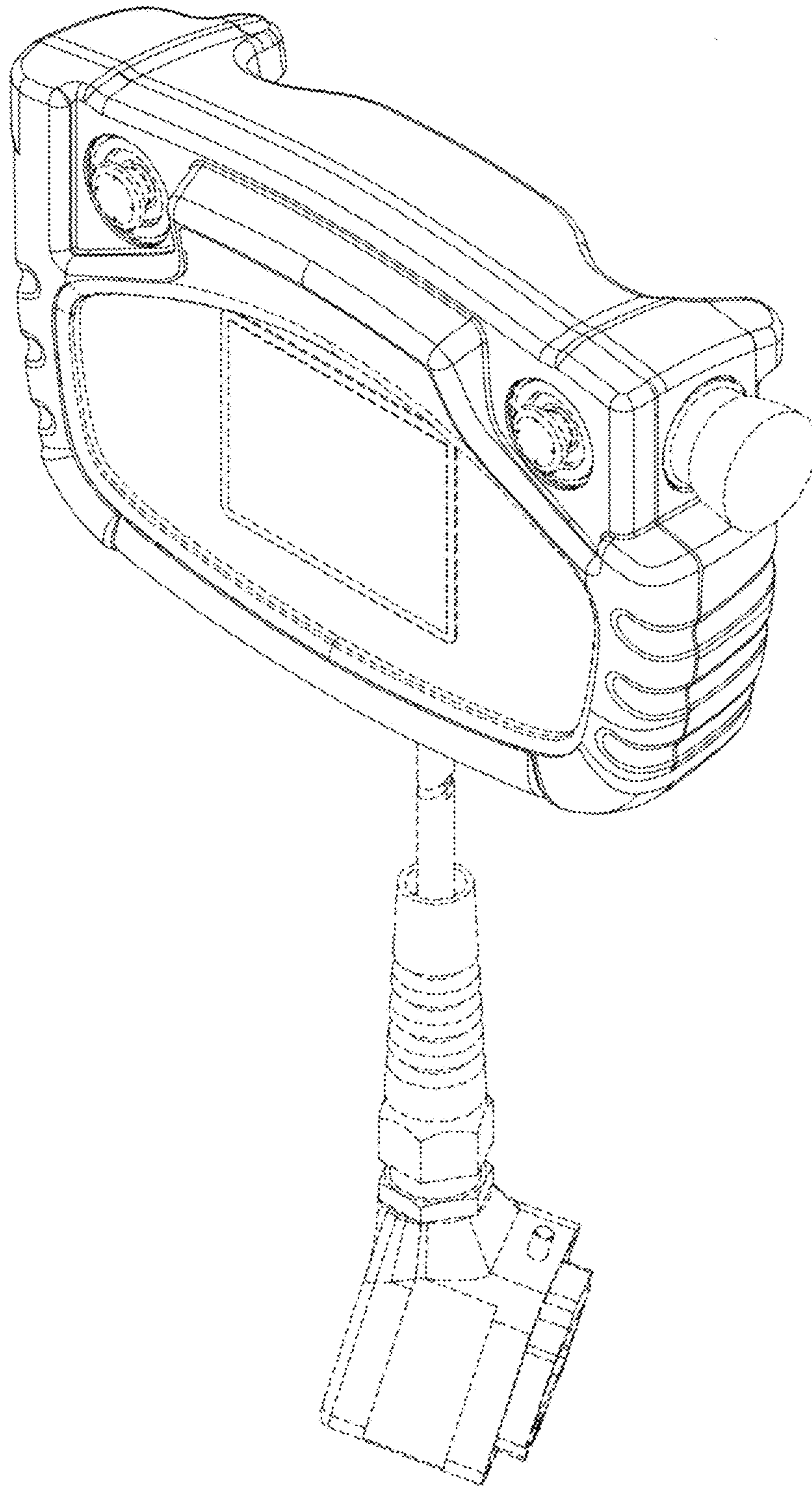


FIGURE 8