



US00D834620S

(12) **United States Design Patent** (10) **Patent No.:** **US D834,620 S**
Neir et al. (45) **Date of Patent:** **** Nov. 27, 2018**

(54) **AUTOMATIC ELECTRONIC AIR PUMP**
(71) Applicant: **TorrX, Inc.**, Kirkland, WA (US)
(72) Inventors: **Thomas Neir**, Kirkland, WA (US);
Sally Otten, Kirkland, WA (US)
(73) Assignee: **TORRX, INC.**, Kirkland, WA (US)
(**) Term: **15 Years**

D559,866 S * 1/2008 Saunders D15/7
D588,161 S * 3/2009 Daniel D15/7
D589,984 S * 4/2009 Roesler D15/7
D611,503 S * 3/2010 Distler D15/7
D634,755 S * 3/2011 Sanders D15/7
7,980,799 B1 7/2011 Rioux et al.
D663,746 S * 7/2012 Kwon D15/7
D669,095 S * 10/2012 Chang D15/7
D798,911 S * 10/2017 Chao D15/7
D800,787 S * 10/2017 Lahav D15/7
D801,928 S * 11/2017 Yoshida D13/122

(Continued)

(21) Appl. No.: **29/642,500**
(22) Filed: **Mar. 29, 2018**

Related U.S. Application Data

(63) Continuation of application No. 14/951,162, filed on Nov. 24, 2015.
(51) **LOC (11) Cl.** **15-02**
(52) **U.S. Cl.**
USPC **D15/7**
(58) **Field of Classification Search**
USPC D15/7-9; D23/231, 232, 225; 417/44.2,
417/60, 235, 265, 321, 355, 358, 363,
417/359, 410.1, 415-416, 405, 900;
60/408, 412; 184/26-37; 415/140-147;
123/495, 509; 137/565.34
CPC F02M 37/04; F02M 37/14
See application file for complete search history.

(56) **References Cited**

U.S. PATENT DOCUMENTS

D375,315 S * 11/1996 Paul-Johansson D15/7
6,246,317 B1 6/2001 Pickornik et al.
D454,358 S * 3/2002 Davis D15/7
D520,521 S * 5/2006 Angeletta D15/7
D550,717 S * 9/2007 Saunders D15/7
D556,215 S * 11/2007 Saunders D15/7
D556,216 S * 11/2007 Saunders D15/7
D556,217 S * 11/2007 Saunders D15/7
D556,781 S * 12/2007 Saunders D15/7

OTHER PUBLICATIONS

United States Office Action, U.S. Appl. No. 14/951,162, dated Mar. 13, 2018, 16 pages.

Primary Examiner — Ralf Seifert
(74) *Attorney, Agent, or Firm* — Fenwick & West LLP

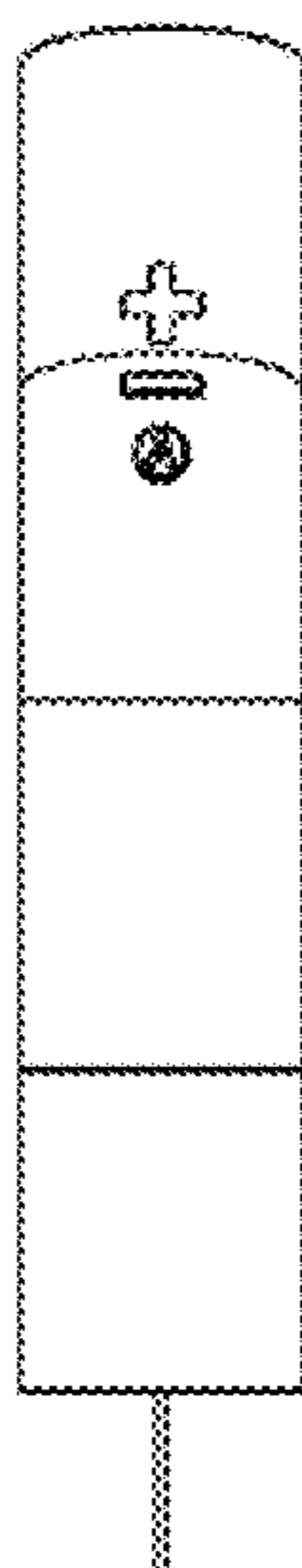
(57) **CLAIM**

We claim the ornamental design for an automatic electronic air pump, as shown and described.

DESCRIPTION

FIG. 1 is a front and right perspective view of an automatic electronic air pump showing our new design;
FIG. 2 is a right view thereof;
FIG. 3 is a front view thereof;
FIG. 4 is a front and right perspective view of a second embodiment of an automatic electronic air pump showing our new design;
FIG. 5 is a right view of FIG. 4; and,
FIG. 6 is a front view of FIG. 4.
The left views of the first and second embodiments are mirror images of the right views.
The top of the automatic electronic air pump is flat and devoid of surface ornamentation in the first and second embodiments.

1 Claim, 6 Drawing Sheets



(56)

References Cited

U.S. PATENT DOCUMENTS

9,879,682	B1	1/2018	Beliveau et al.	
D818,004	S *	5/2018	Lee	D15/7
D823,344	S *	7/2018	Malcolm	D15/7
2005/0087559	A1	4/2005	Smith et al.	
2005/0229985	A1	10/2005	Saxenfelt	
2009/0314354	A1	12/2009	Chaffee	

* cited by examiner

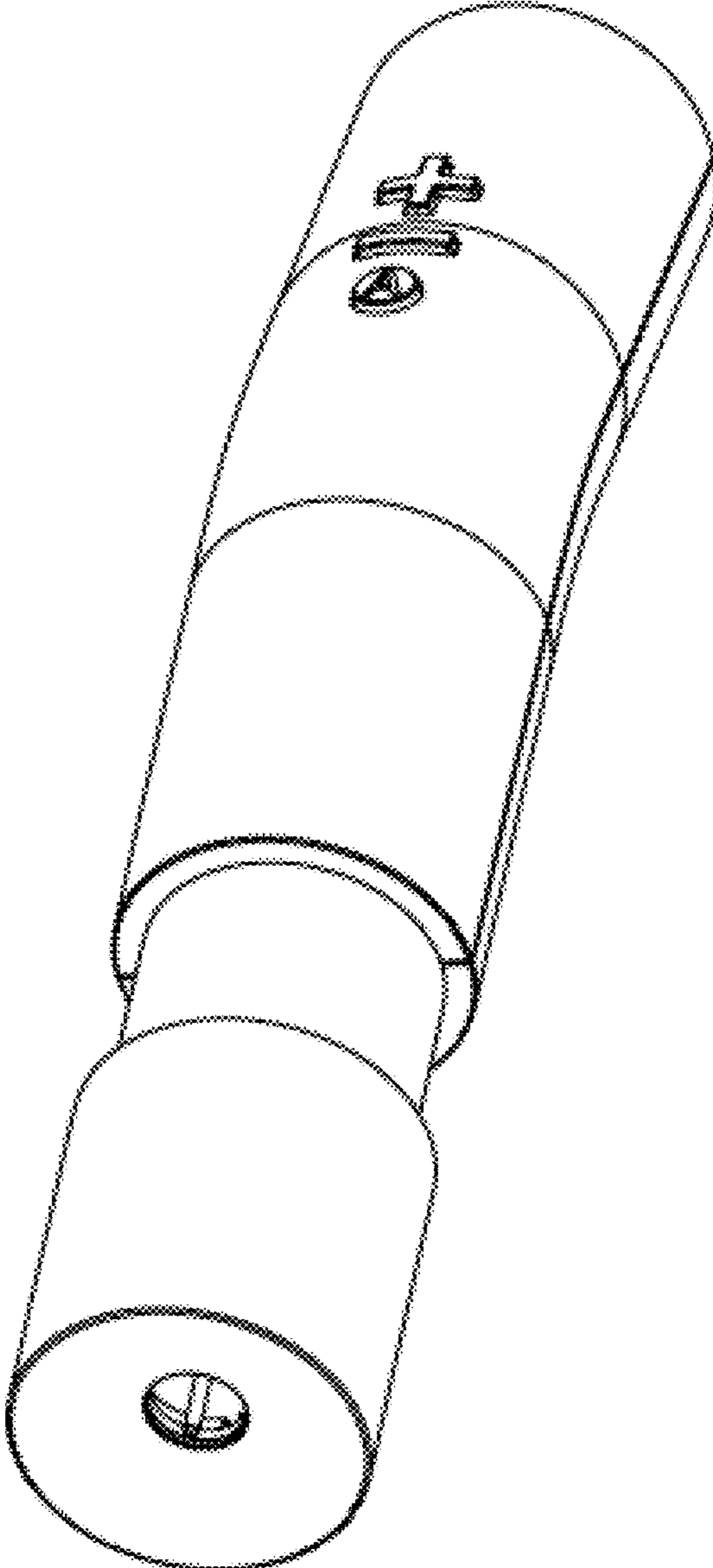


FIG. 1

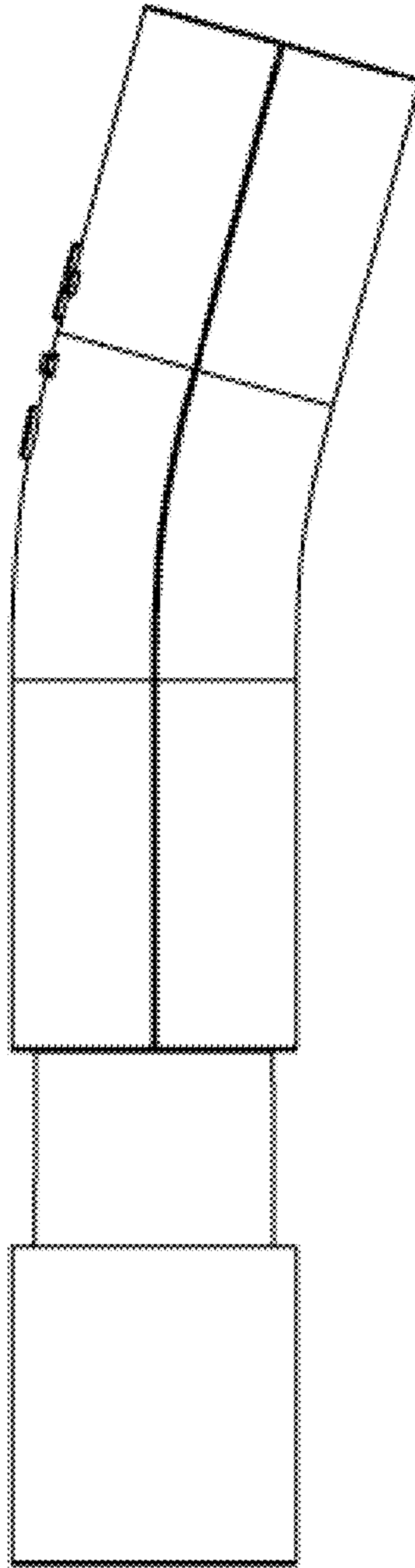


FIG. 2

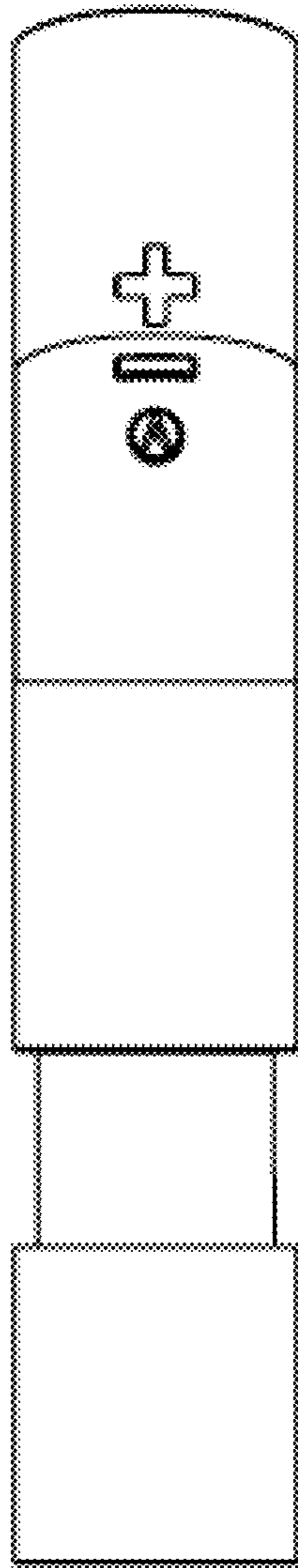


FIG. 3

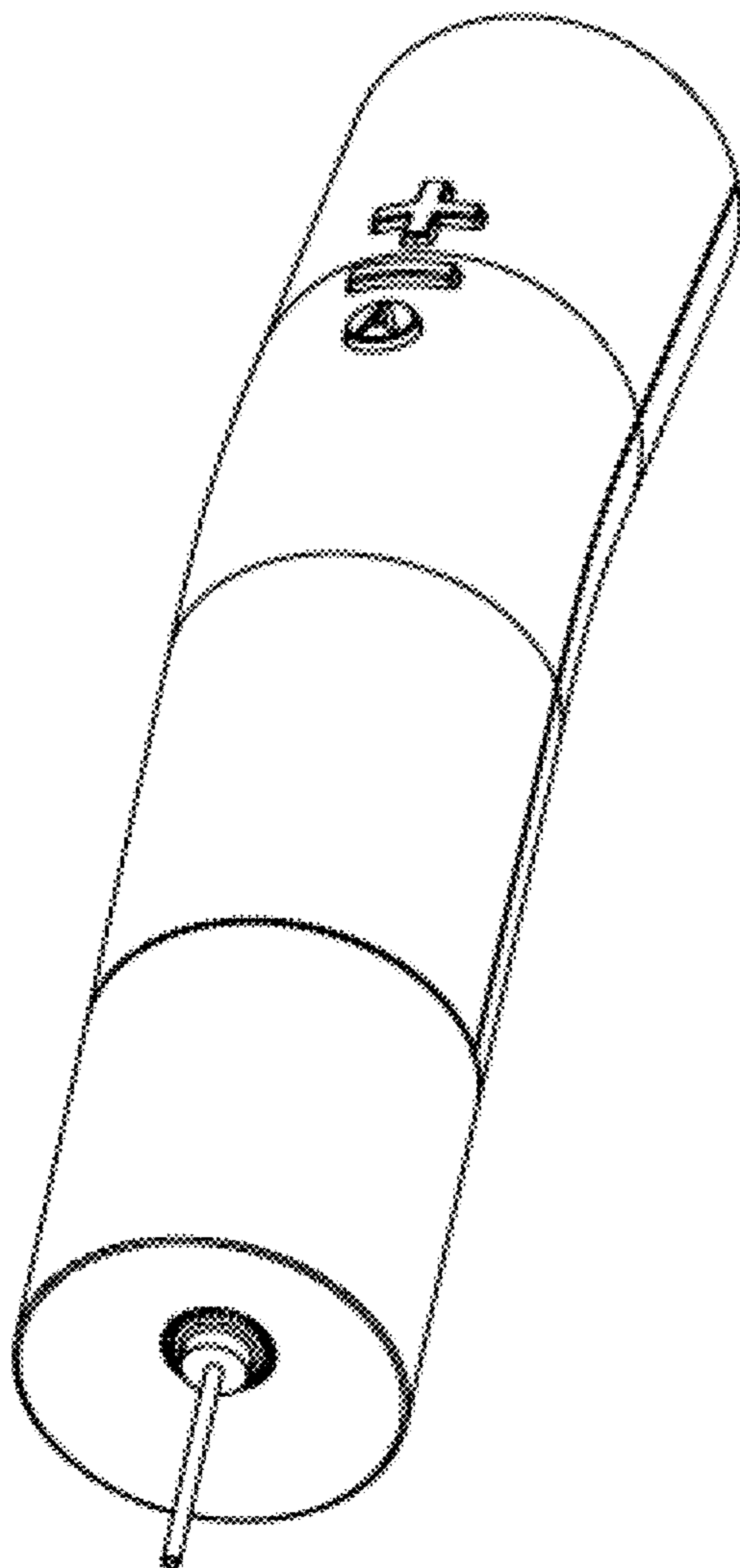


FIG. 4

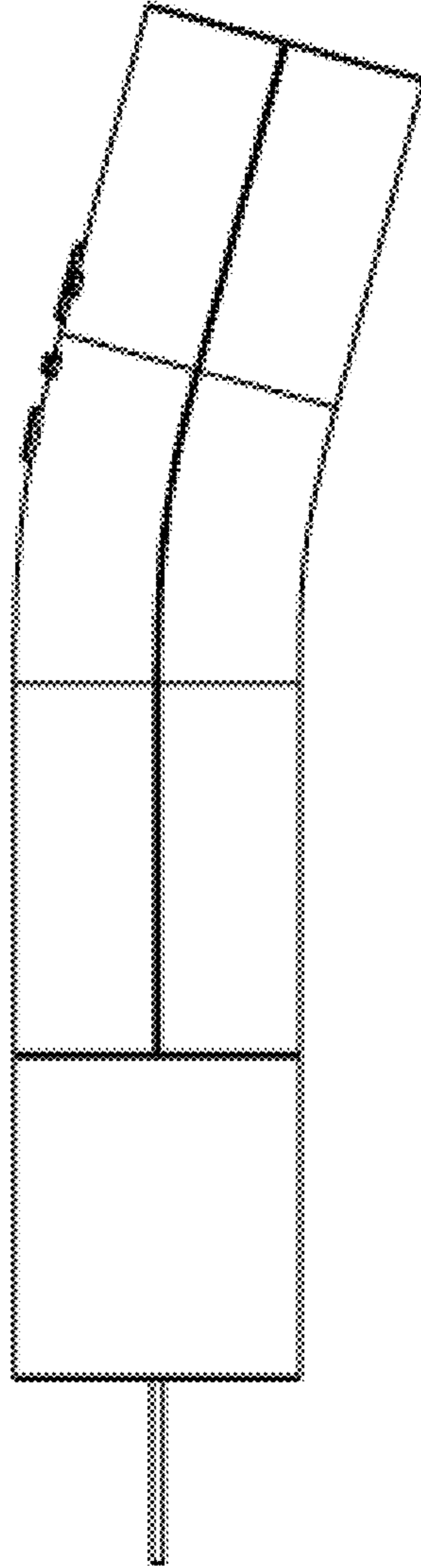


FIG. 5

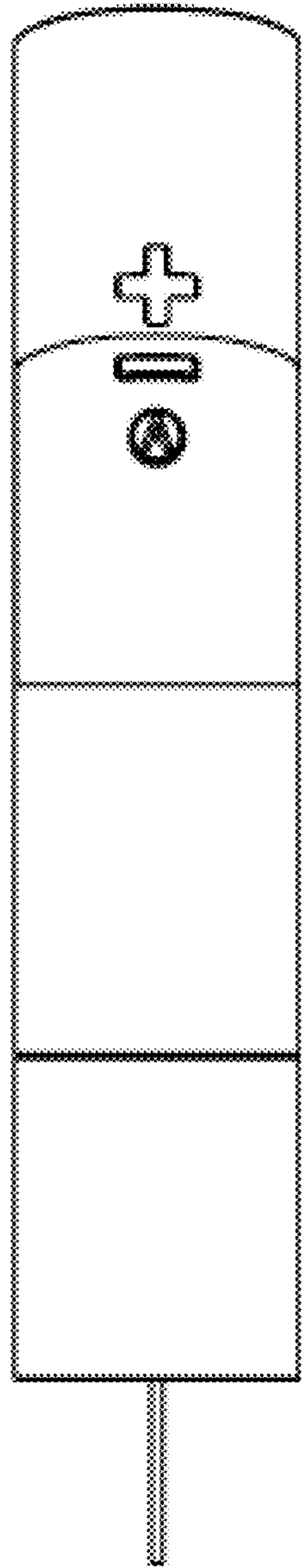


FIG. 6