

US00D834619S

(12) **United States Design Patent** (10) **Patent No.:** **US D834,619 S**
Stahl et al. (45) **Date of Patent:** **** Nov. 27, 2018**

(54) **PUMP**

(56) **References Cited**

(71) Applicant: **Xylem IP Management S.a r.l.**,
Senningerberg (LU)
(72) Inventors: **Borje Stahl**, Kista (SE); **Johan**
Bratthall, Saltsjo Boo (SE); **Viktor**
Bredwad, Spanga (SE)
(73) Assignee: **XYLEM IP MANAGEMENT S.A**
R.L., Senningerberg (LU)
(**) Term: **15 Years**

U.S. PATENT DOCUMENTS

D237,011 S *	9/1975	Stroberg et al.	D15/7
D258,210 S *	2/1981	Shure	D15/7
D284,380 S *	6/1986	Berg	D15/7
D440,230 S *	4/2001	Craford	D15/7
D440,231 S *	4/2001	Craford	D15/7
D492,324 S *	6/2004	Stevens	D15/7
D677,701 S *	3/2013	Moysi	D15/7
D690,323 S *	9/2013	Burman	D15/7
D708,648 S *	7/2014	Orsini	D15/7
D740,329 S *	10/2015	Gilbert	D15/7
D800,791 S *	10/2017	Pin, III	D15/7

* cited by examiner

(21) Appl. No.: **29/602,657**

Primary Examiner — Ralf Seifert

(22) Filed: **May 2, 2017**

(74) *Attorney, Agent, or Firm* — Fox Rothschild LLP

(30) **Foreign Application Priority Data**

(57) **CLAIM**

Apr. 3, 2017 (EM) 003838135-0001

The ornamental design for pump, as shown and described.

(51) **LOC (11) Cl.** **15-02**

DESCRIPTION

(52) **U.S. Cl.**
USPC **D15/7**

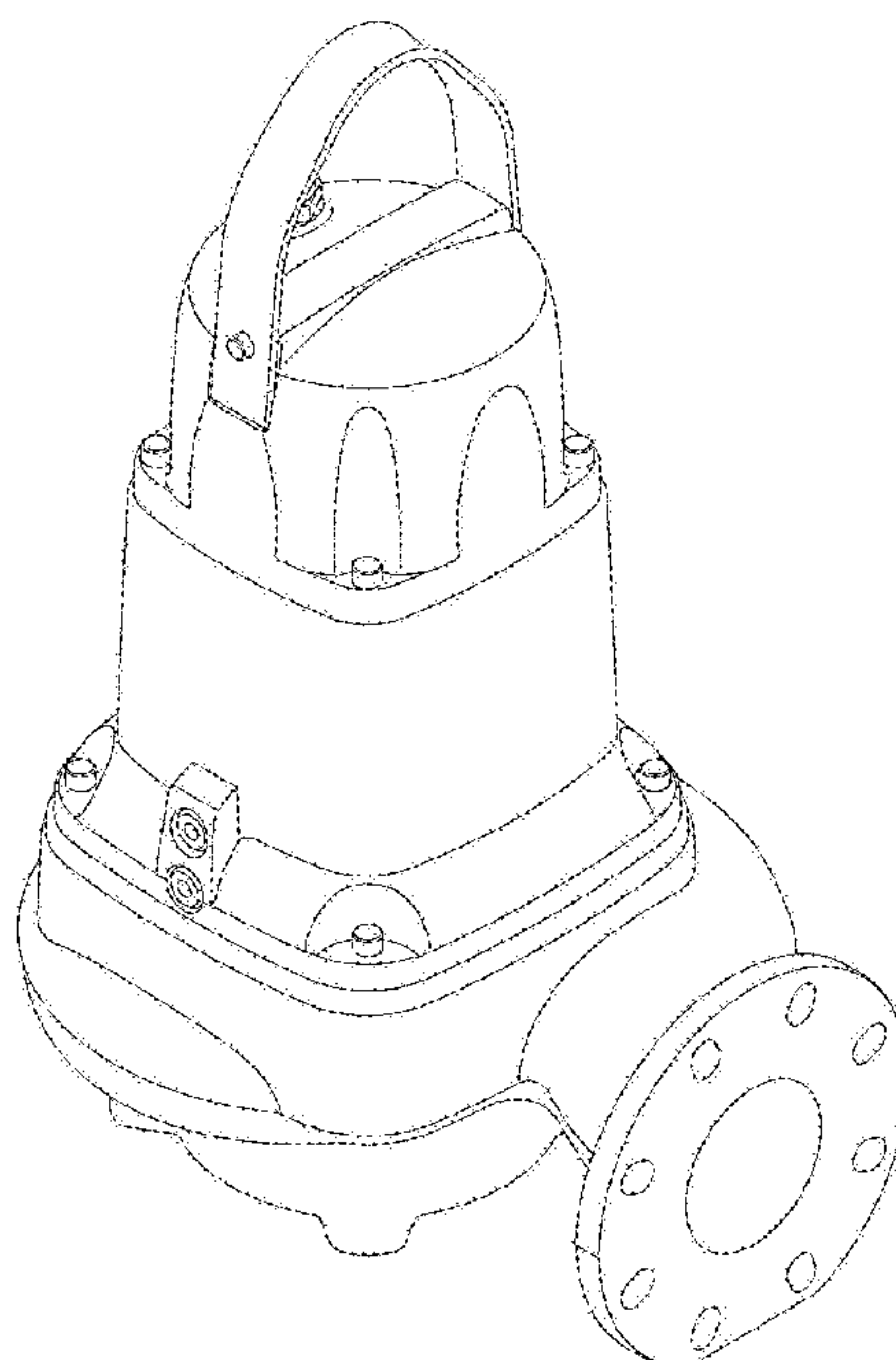
(58) **Field of Classification Search**
USPC D15/7-9; D23/231, 232, 225; 417/60,
417/235, 265, 321, 355, 358, 363, 359,
417/410.1, 415-416, 405, 900, 269, 539;
60/408, 412; 184/26-37; 415/140-147;
123/495, 509; 137/565.34
CPC F02M 37/04; F02M 37/14; F04B 53/92;
F04B 1/005; F04D 13/06; F04D 29/22;
F04D 29/046; F04D 29/2266

FIG. 1 is a perspective view of an pump according to the new design;
FIG. 2 is front view thereof;
FIG. 3 is a rear view thereof;
FIG. 4 is a right side view thereof;
FIG. 5 is a left side view thereof;
FIG. 6 is a top plan view thereof; and,
FIG. 7 is a bottom view thereof.

The broken lines are included for the purpose of illustrating portions of the pump that form no part of the claimed design.

See application file for complete search history.

1 Claim, 7 Drawing Sheets



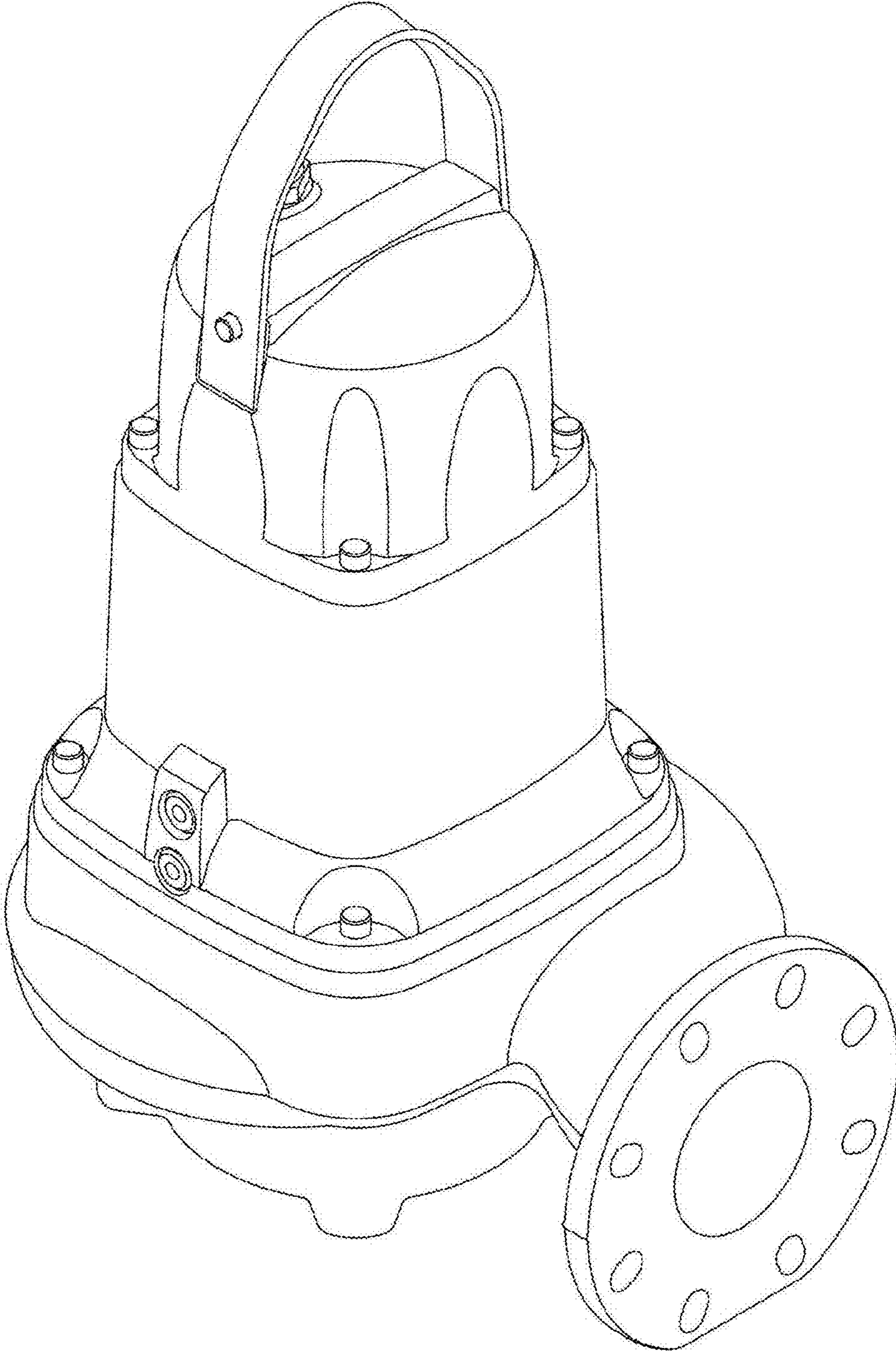


FIGURE 1

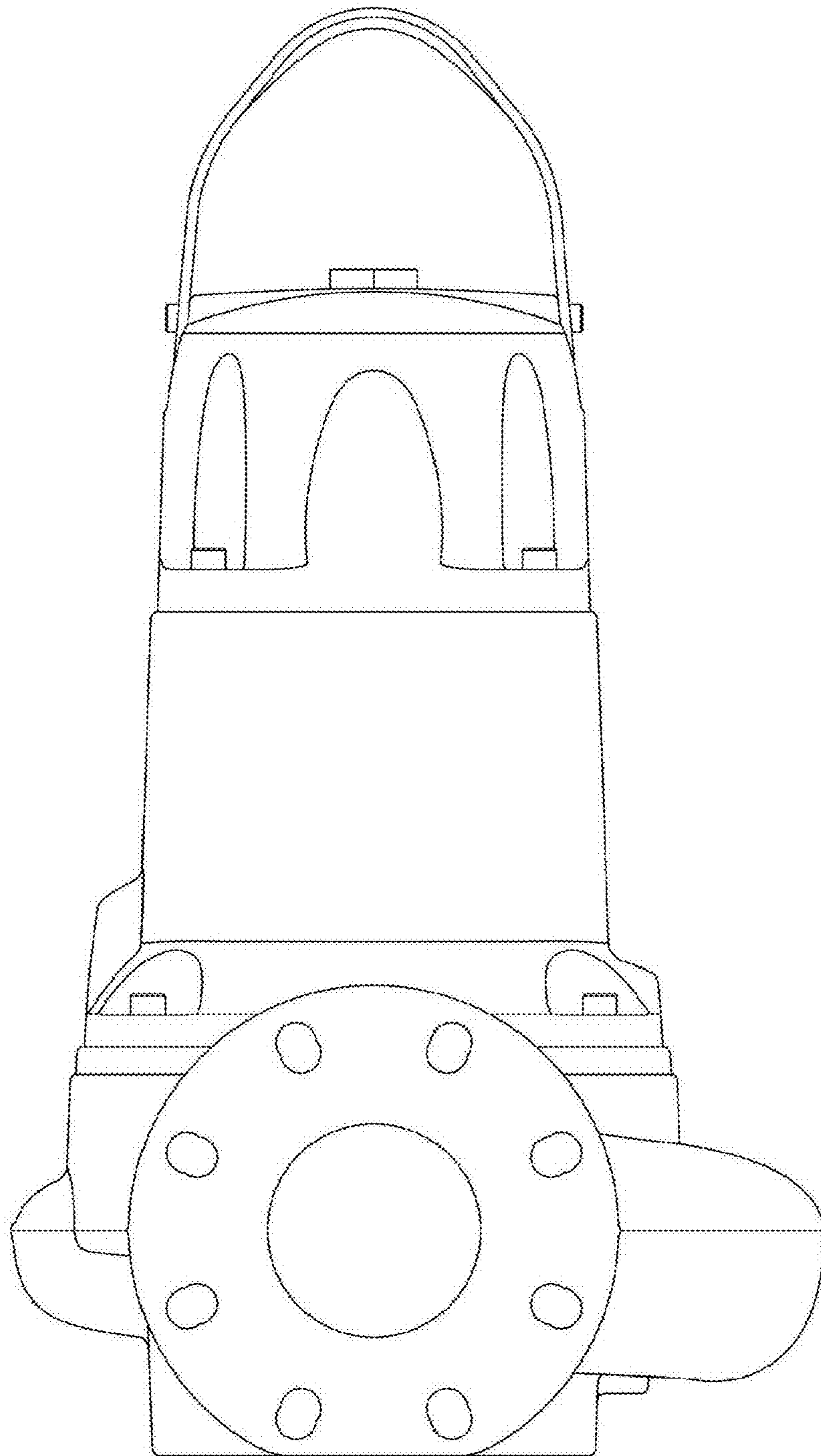


FIGURE 2

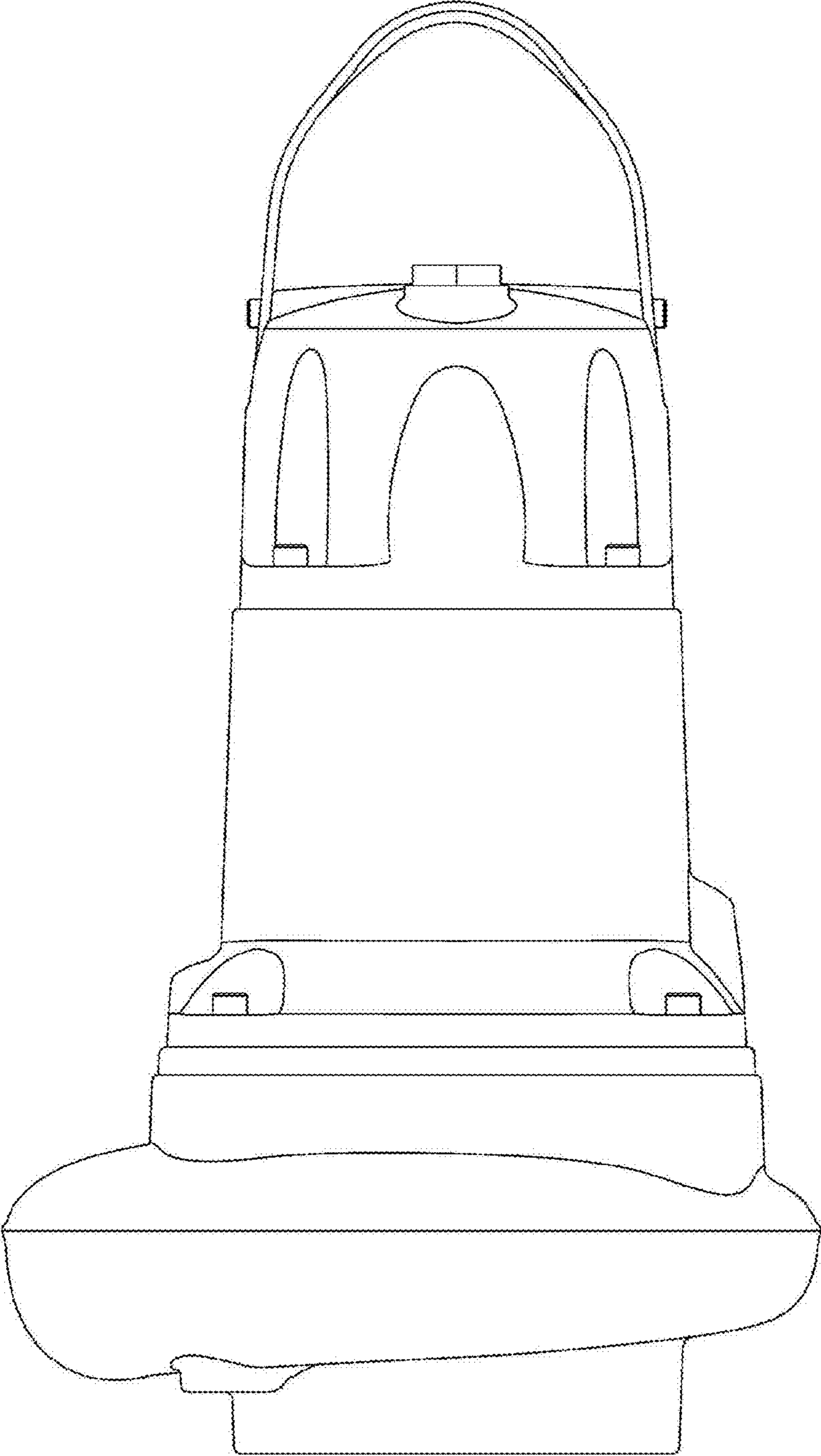


FIGURE 3

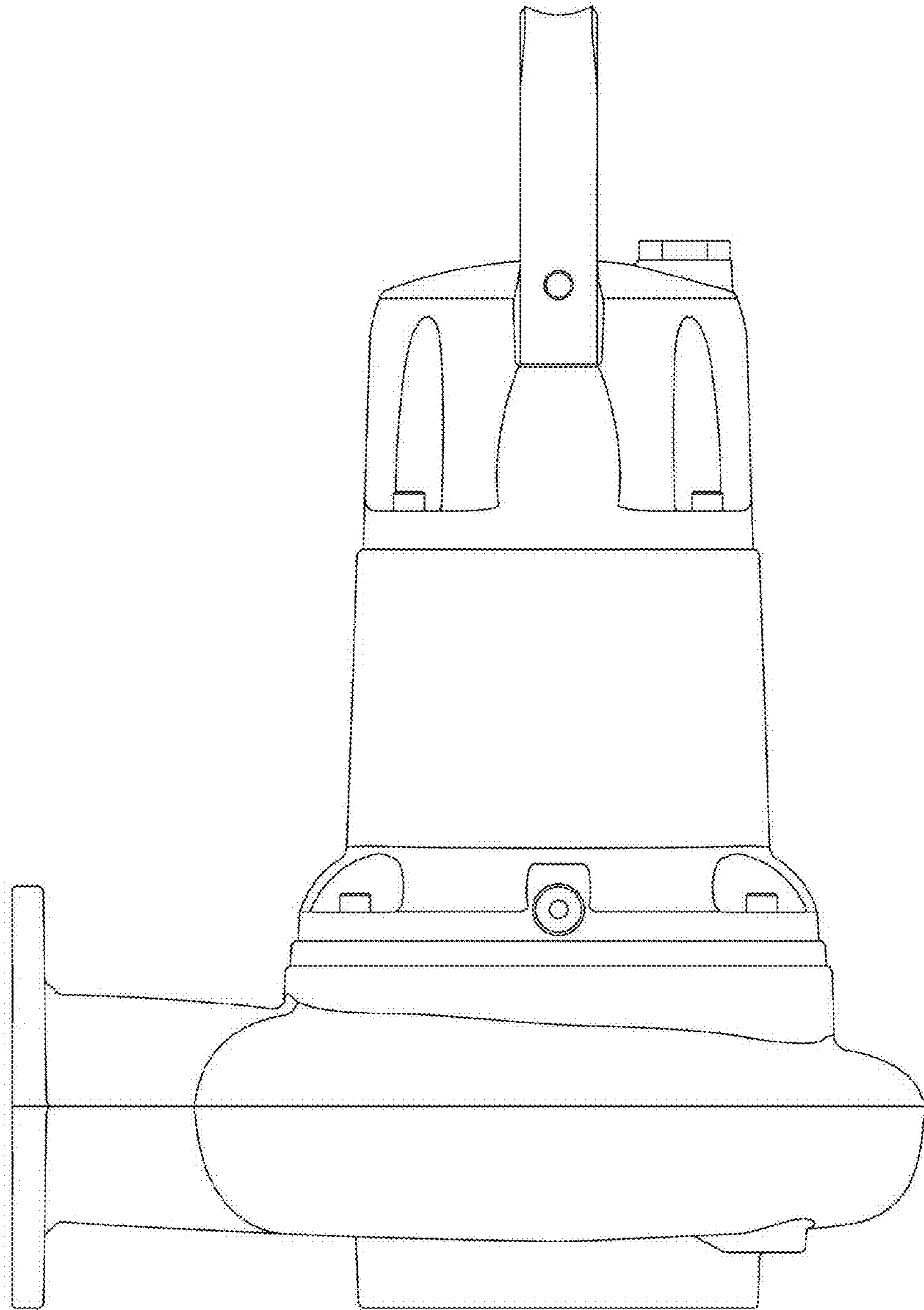


FIGURE 4

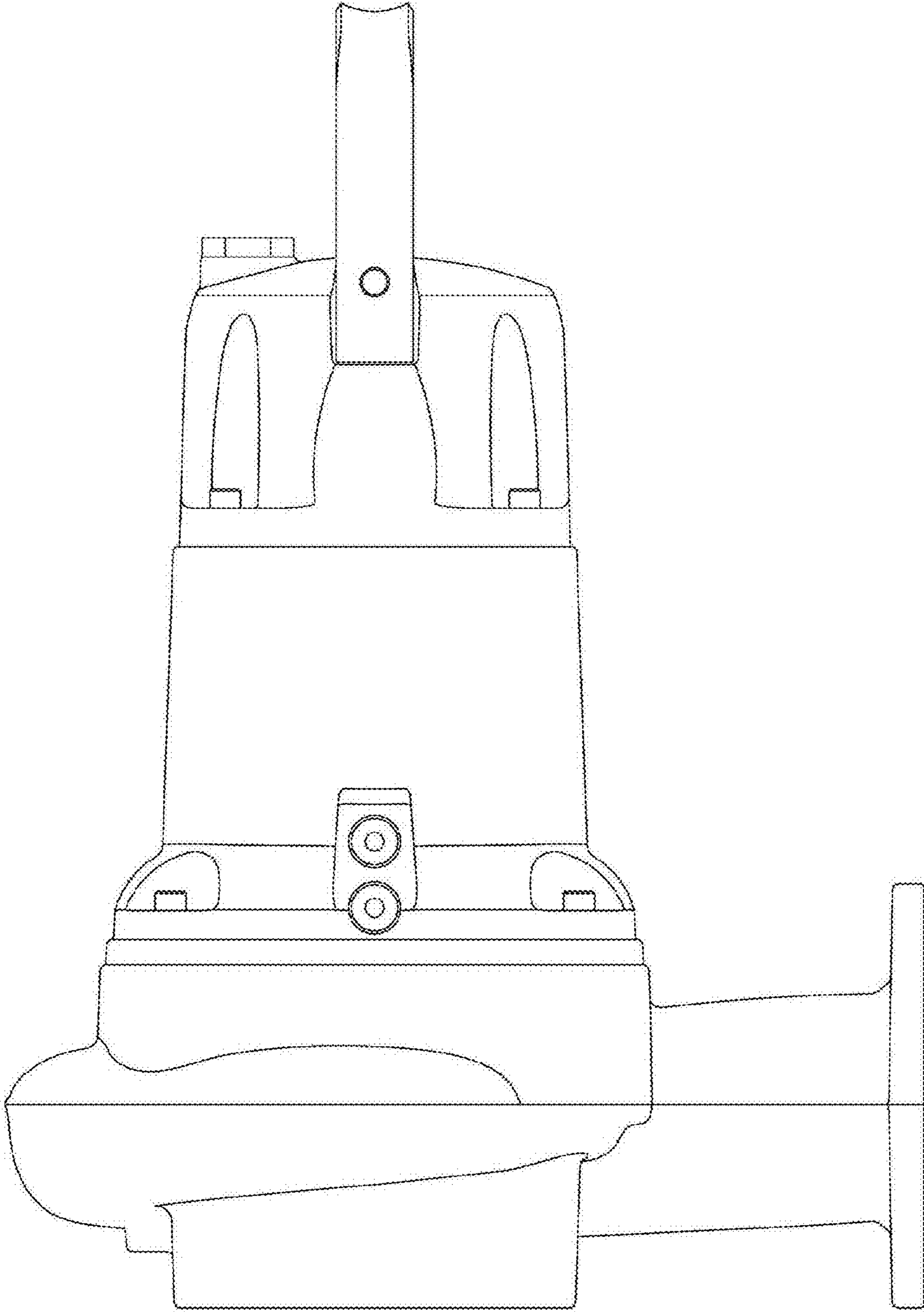


FIGURE 5

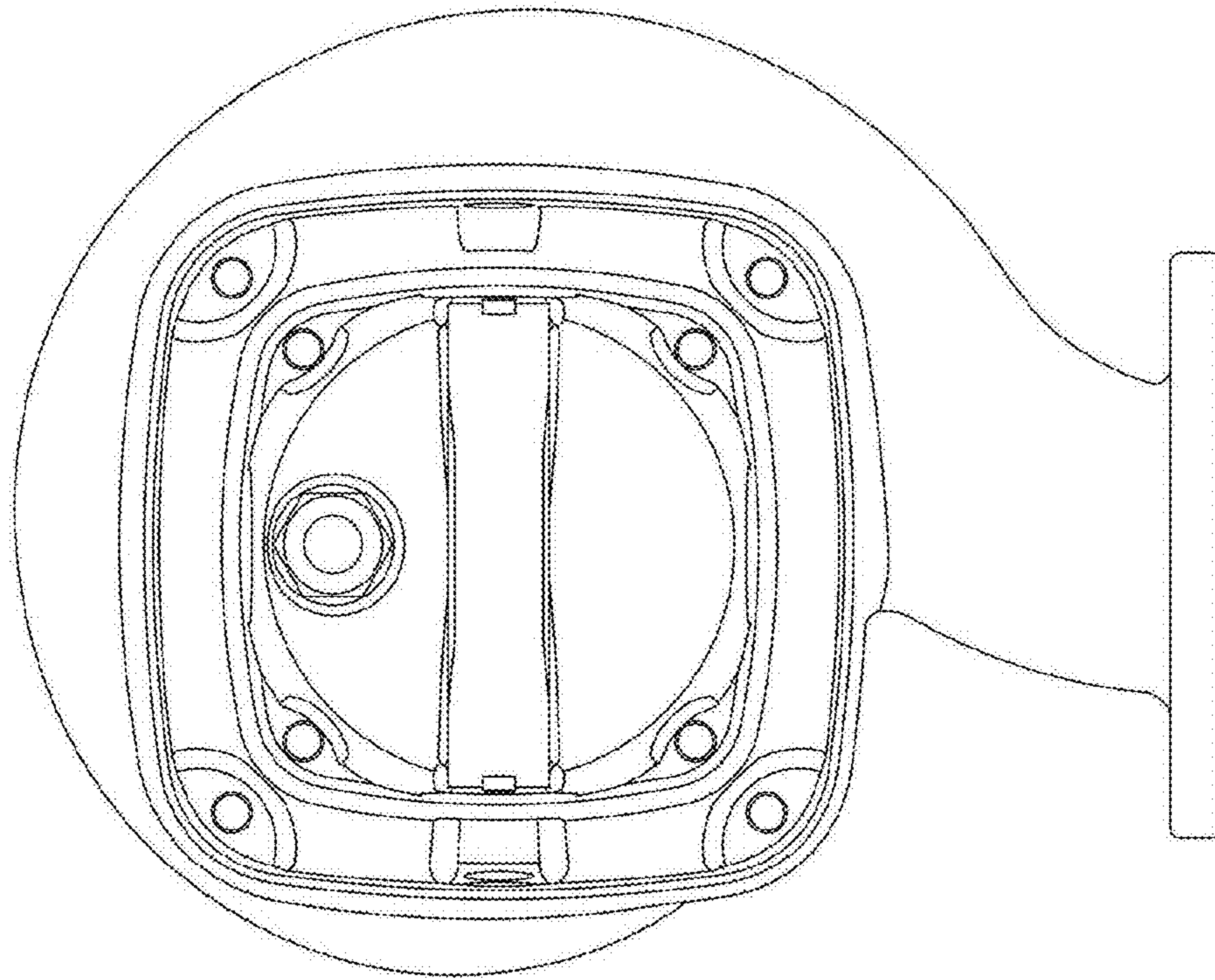


FIGURE 6

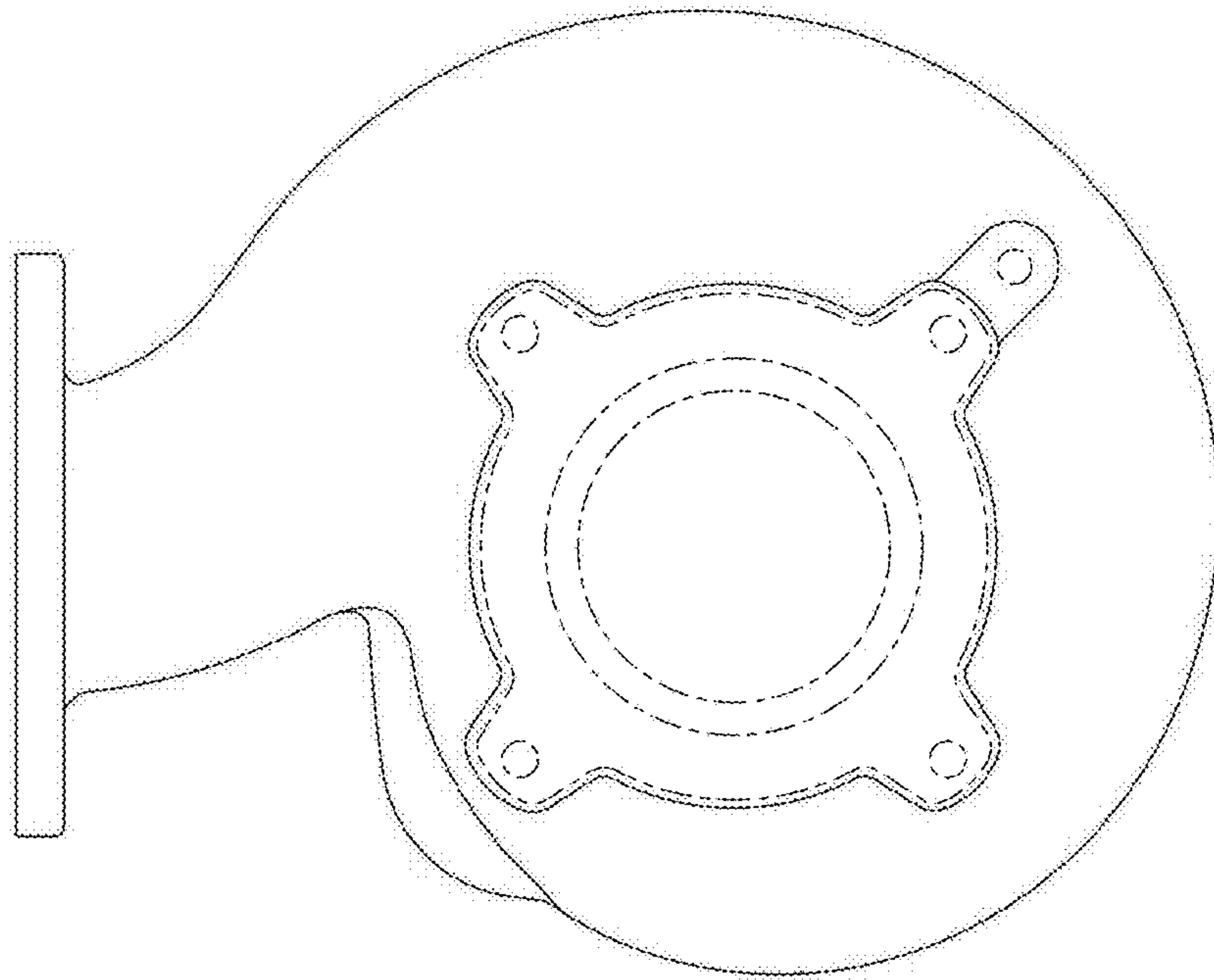


FIGURE 7