



US00D834618S

(12) **United States Design Patent** (10) **Patent No.:** **US D834,618 S**  
**Zin et al.** (45) **Date of Patent:** **\*\* Nov. 27, 2018**

(54) **COWLING FOR AN OUTBOARD MOTOR**  
(71) Applicant: **Brunswick Corporation**, Lake Forest, IL (US)  
(72) Inventors: **Piotr Zin**, Seattle, WA (US); **Todd D. Dannenberg**, Fond du Lac, WI (US); **John I. S. Park**, Fond du Lac, WI (US)  
(73) Assignee: **Brunswick Corporation**, Mettawa, IL (US)  
(\*\*) Term: **15 Years**  
(21) Appl. No.: **29/617,451**

D589,981 S \* 4/2009 Lekura ..... D15/4  
D611,063 S \* 3/2010 Okamoto ..... D15/4  
D623,661 S \* 9/2010 Yamagishi ..... D15/4  
D643,440 S 8/2011 Dannenberg et al.  
D714,345 S \* 9/2014 Petit ..... D15/4  
D727,969 S \* 4/2015 Okamoto ..... D15/4  
9,073,616 B1 \* 7/2015 Wiegele ..... B63H 20/32  
D740,858 S 10/2015 Dannenberg et al.  
D757,126 S 5/2016 Vaninetti et al.  
9,376,194 B1 \* 6/2016 Jensen ..... B63H 20/245  
9,840,316 B1 \* 12/2017 Jaszewski ..... B63H 20/20  
D809,017 S \* 1/2018 Noda ..... D15/4  
9,926,064 B1 \* 3/2018 Tuchscherer ..... B63H 21/36  
2003/0194927 A1 \* 10/2003 Sanschagrín ..... B63H 20/32  
440/77  
2003/0232548 A1 \* 12/2003 Alby ..... F02B 61/045  
440/77

(22) Filed: **Sep. 14, 2017**  
(51) **LOC (11) Cl.** ..... **15-01**  
(52) **U.S. Cl.**  
USPC ..... **D15/4**  
(58) **Field of Classification Search**  
USPC ..... D15/4, 5  
CPC .. B63H 20/32; B63H 2020/323; B63H 23/30;  
B63H 23/08; B63H 23/22; B63H 5/14;  
B63H 5/15; B63H 21/165; B63H 21/17;  
B63H 21/38; B63H 5/125; B63B 35/68  
See application file for complete search history.

\* cited by examiner

*Primary Examiner* — T Chase Nelson  
*Assistant Examiner* — Ania Aman  
(74) *Attorney, Agent, or Firm* — Andrus Intellectual Property Law, LLP

(56) **References Cited**

U.S. PATENT DOCUMENTS

D412,911 S \* 8/1999 Lekura ..... D15/4  
D421,444 S 3/2000 Hatch et al.  
D460,972 S 7/2002 Osumi  
D463,447 S 9/2002 Osumi et al.  
D463,449 S 9/2002 Osumi  
D463,800 S 10/2002 Osumi  
D474,480 S 5/2003 Zebley et al.  
D478,597 S 8/2003 Zebley  
D489,380 S 5/2004 Ohsumi et al.  
D498,764 S \* 11/2004 Sanschagrín ..... D15/4  
7,001,231 B1 \* 2/2006 Halley ..... B63H 20/245  
440/88 G  
D528,563 S \* 9/2006 Sanschagrín ..... D15/4

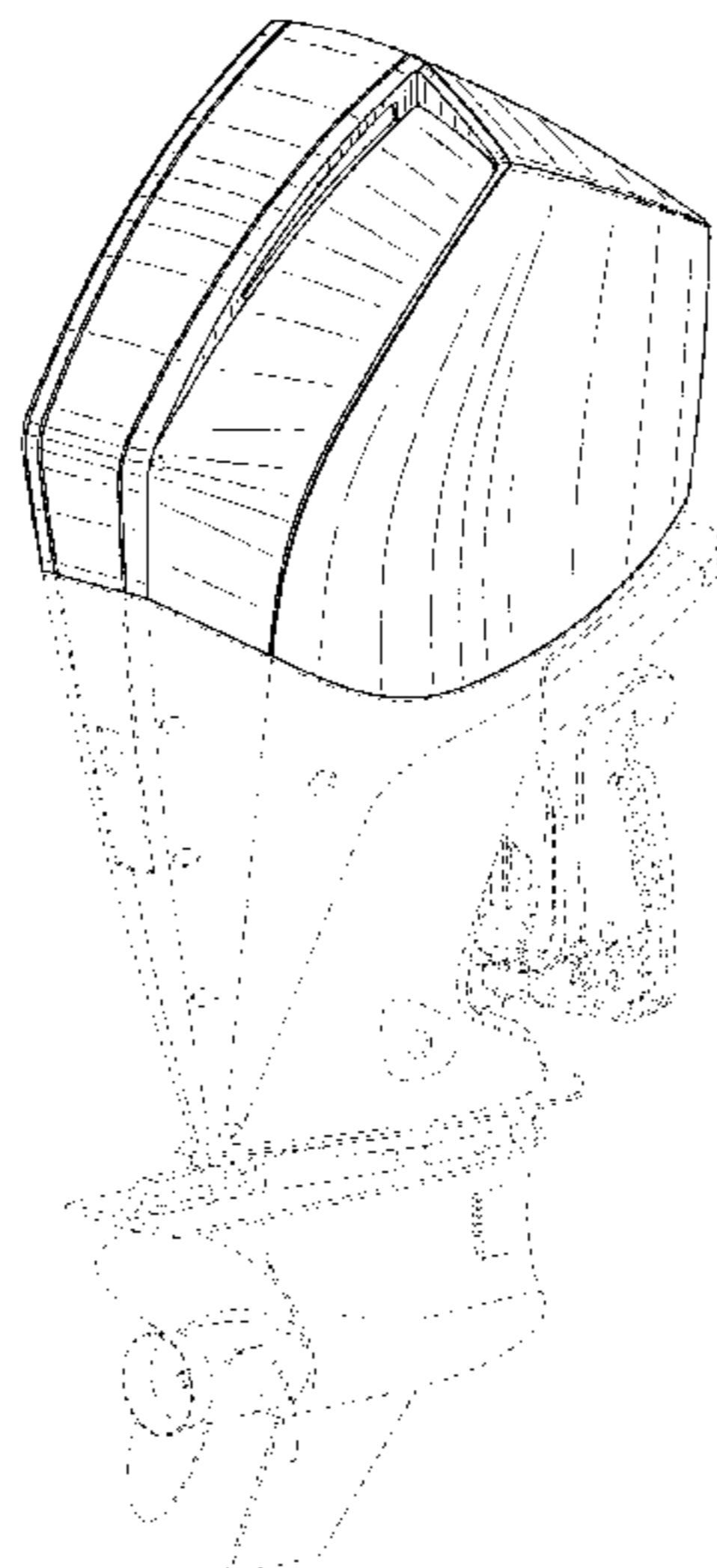
(57) **CLAIM**

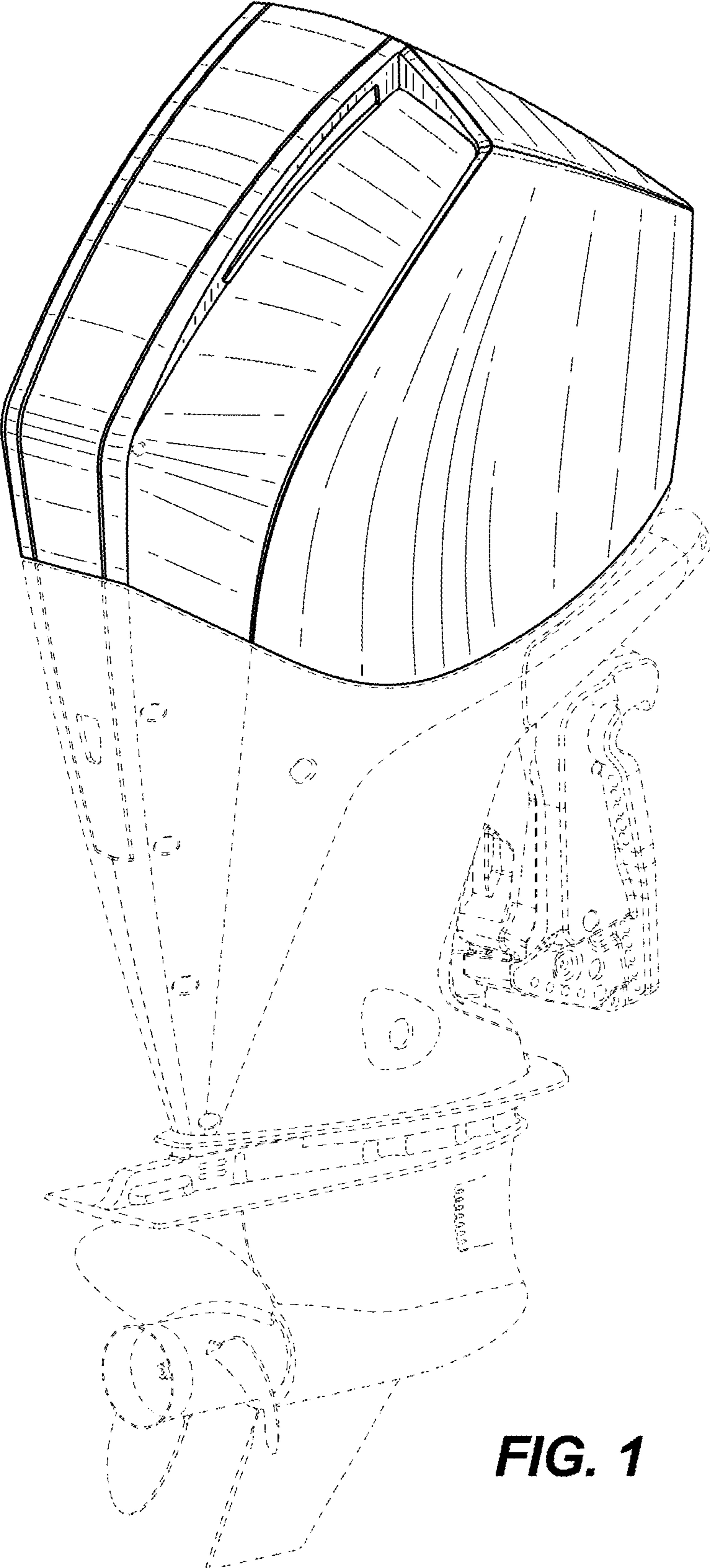
The ornamental design for a cowling for an outboard motor, as shown and described.

**DESCRIPTION**

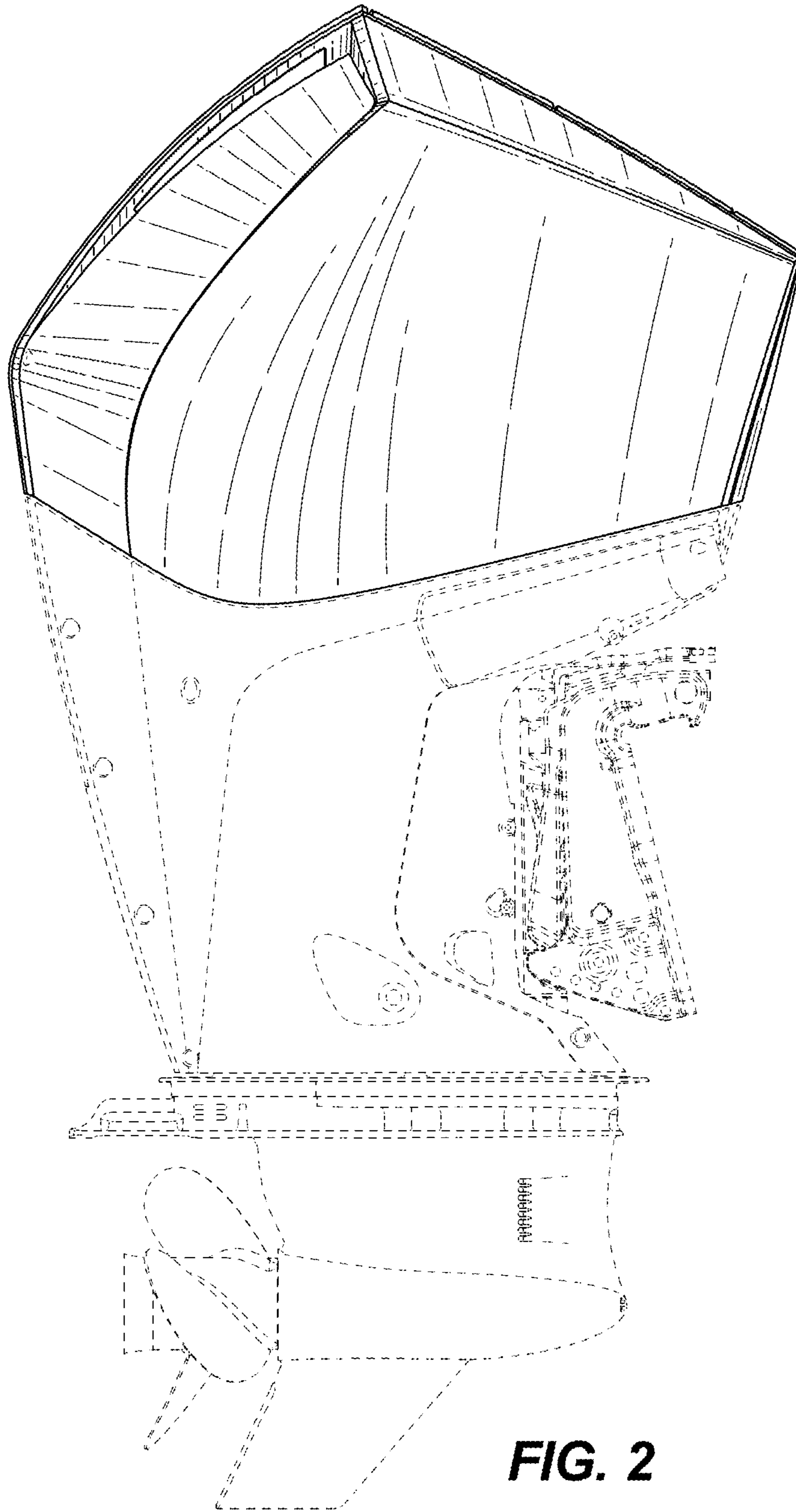
FIG. 1 is a perspective view of a cowling for an outboard motor showing our new design.  
FIG. 2 is a side view thereof.  
FIG. 3 is an opposite side view thereof.  
FIG. 4 is a front view thereof.  
FIG. 5 is a rear view thereof.  
FIG. 6 is a top view thereof; and,  
FIG. 7 is a bottom view thereof.  
The broken lines in the drawings illustrate portions of the cowling that are not part of the claimed design.

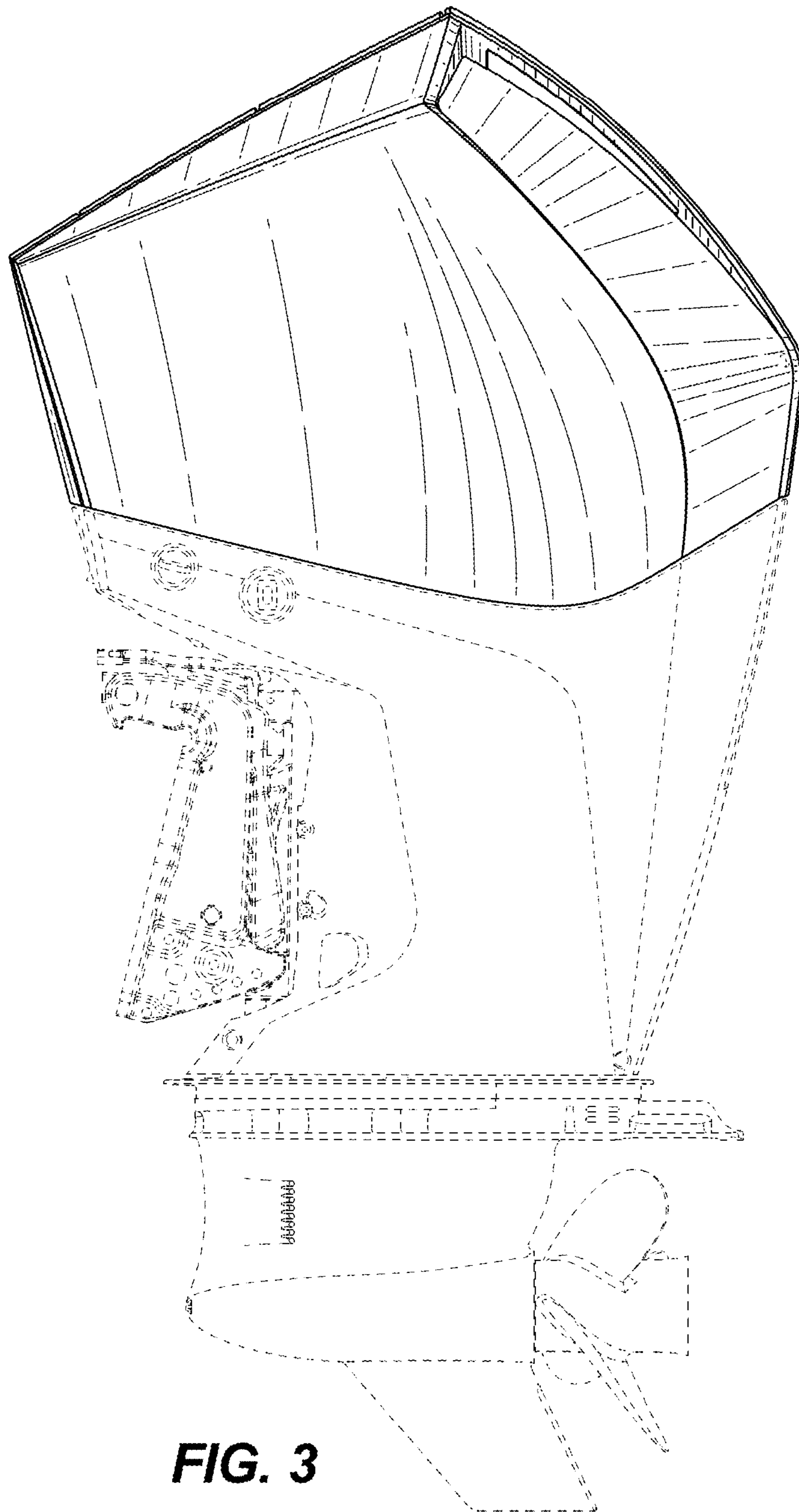
**1 Claim, 7 Drawing Sheets**



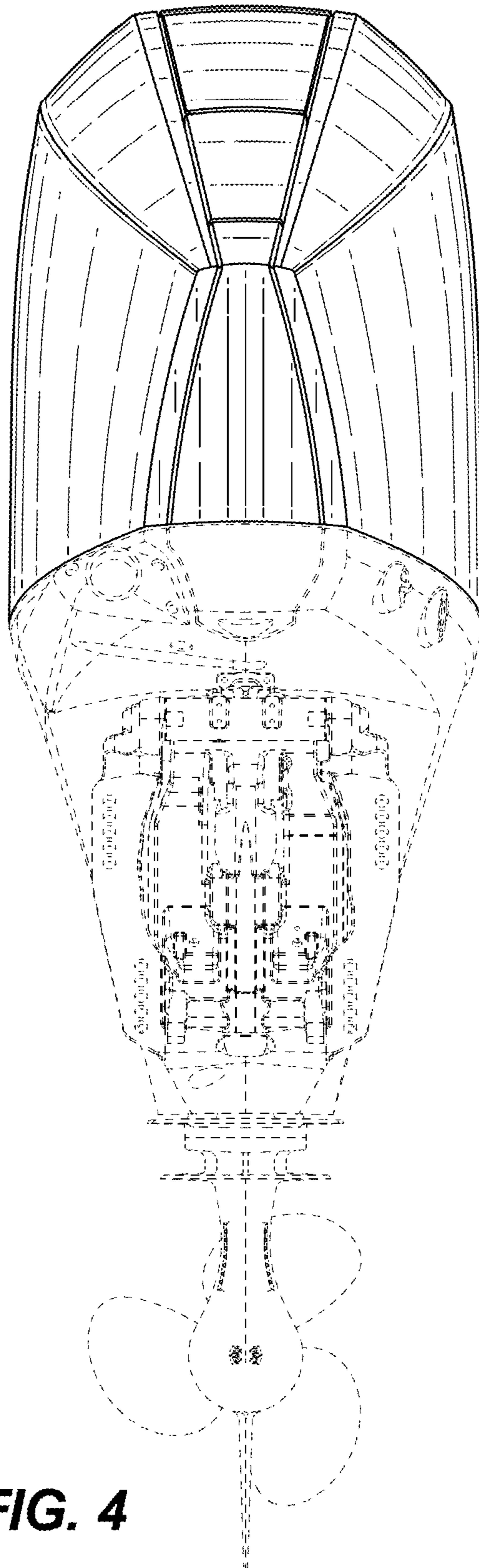


**FIG. 1**

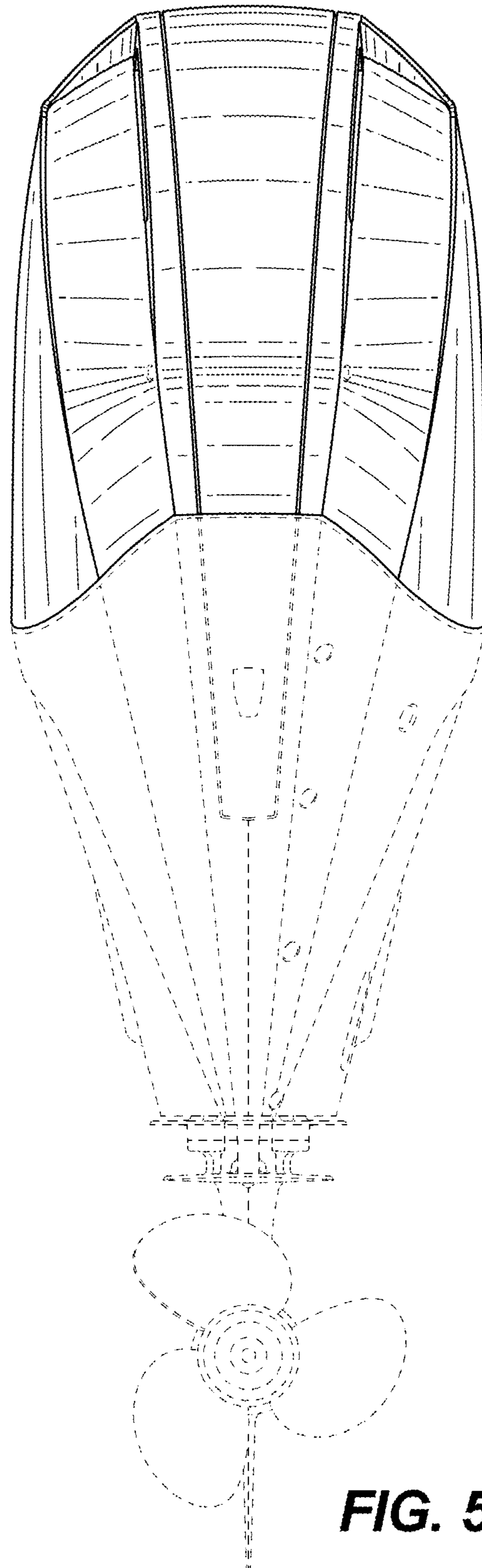




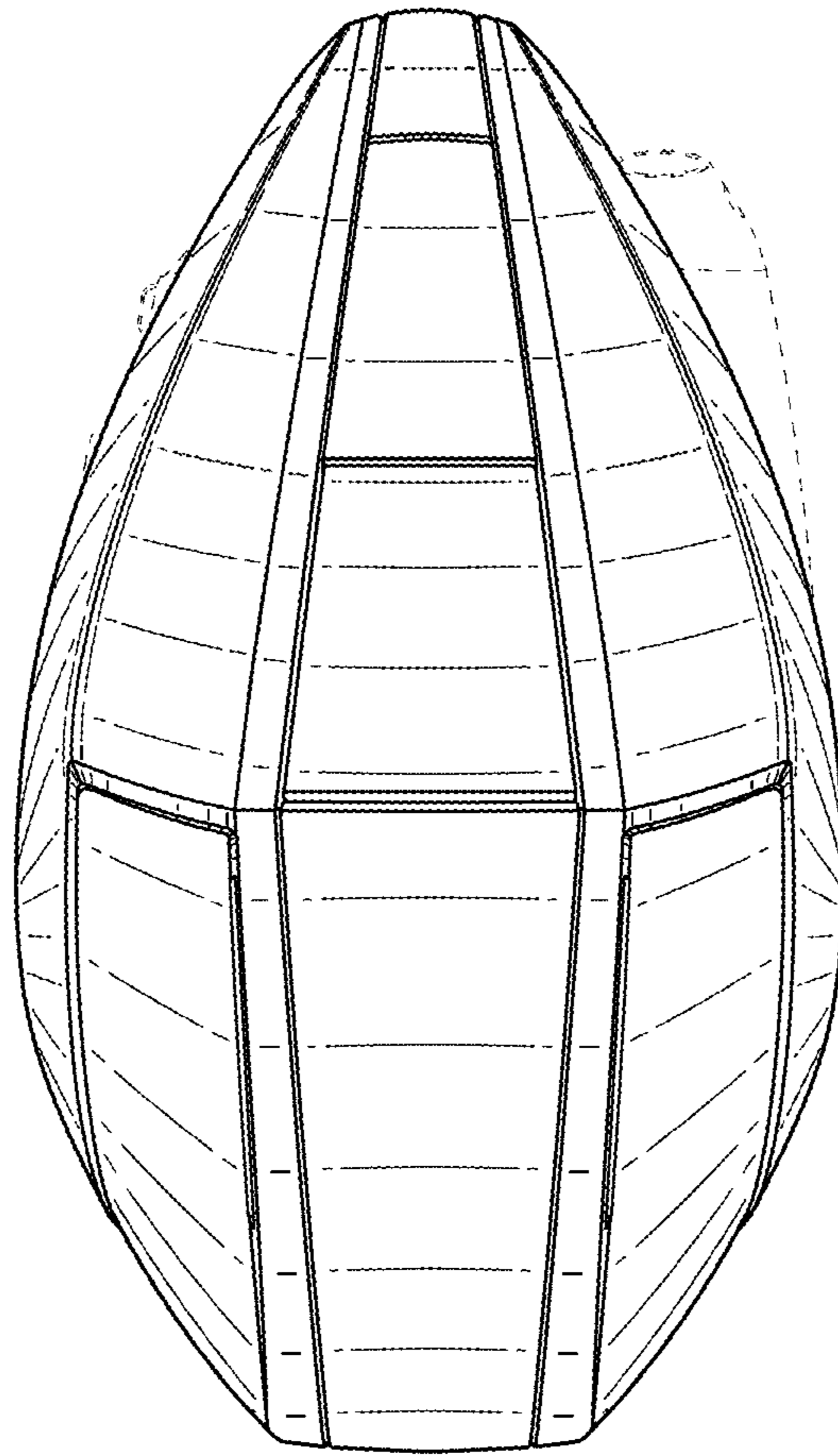
**FIG. 3**



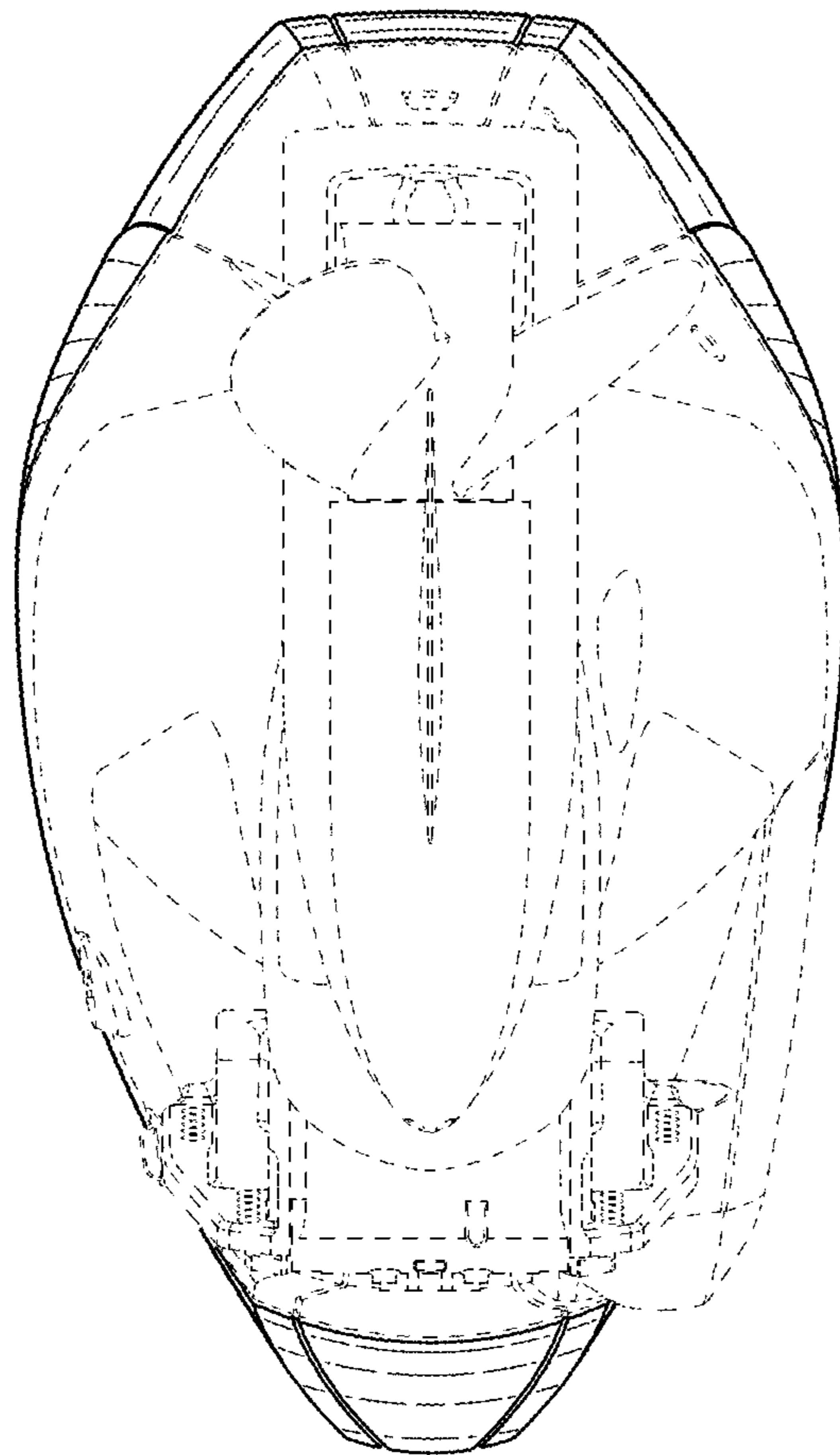
**FIG. 4**



**FIG. 5**



**FIG. 6**



**FIG. 7**