



US00D834591S

(12) **United States Design Patent** (10) **Patent No.:** **US D834,591 S**
Lehmann (45) **Date of Patent:** **** Nov. 27, 2018**

(54) **DISPLAY SCREEN OR PORTION THEREOF WITH GRAPHICAL USER INTERFACE**

(71) Applicant: **MANITOU BF (SOCIETE ANONYME)**, Ancenis (FR)

(72) Inventor: **Thierry Lehmann**, Nantes (FR)

(73) Assignee: **MANITOU BF (SOCIETE ANONYME)**, Ancenis (FR)

(**) Term: **15 Years**

(21) Appl. No.: **29/612,090**

(22) Filed: **Jul. 28, 2017**

Related U.S. Application Data

(62) Division of application No. 35/500,462, filed on Oct. 21, 2015 (U.S. filing date under 35 U.S.C. 384), and having an international filing date of Oct. 21, 2015, now Pat. No. Des. 812,073.

(51) **LOC (11) Cl.** **14-04**

(52) **U.S. Cl.**
USPC **D14/485**

(58) **Field of Classification Search**
USPC D14/485-495; D18/26, 31-33; 715/702, 715/765, 764, 838
CPC G06F 3/048; G06F 3/0481; G06F 3/0482; G06F 3/04817; G06F 3/04812; G06F 3/016

See application file for complete search history.

(56) **References Cited**

U.S. PATENT DOCUMENTS

- D688,697 S * 8/2013 Phelan D14/489
- D690,720 S * 10/2013 Waldman D14/485
- D690,728 S * 10/2013 Brinda D14/488
- D690,737 S * 10/2013 Wen D14/489

- D691,171 S * 10/2013 Brinda D14/488
- D691,629 S * 10/2013 Matas D14/488
- D696,270 S * 12/2013 Hyunjung D14/486
- D697,073 S * 1/2014 Andersson D14/485
- D699,747 S * 2/2014 Pearson D14/488
- D699,750 S * 2/2014 Pearson D14/488
- D700,207 S * 2/2014 Pearson D14/488
- D701,226 S * 3/2014 Jung D14/486
- D701,869 S * 4/2014 Matas D14/486
- D703,693 S * 4/2014 Brinda D14/488
- D706,806 S * 6/2014 Nishizawa D14/488
- D708,221 S * 7/2014 Danton D14/492
- D709,092 S * 7/2014 Mariet D14/489
- D709,915 S * 7/2014 Inose D14/492
- D710,862 S * 8/2014 Wang D14/485
- D712,425 S * 9/2014 Nagaoka D14/485
- D712,911 S * 9/2014 Pearson D14/486
- D713,850 S * 9/2014 Jiyeon D14/485
- D714,320 S * 9/2014 Pereira D14/485
- D714,325 S * 9/2014 Pereira D14/485
- D714,819 S * 10/2014 Wang D14/486
- D715,811 S * 10/2014 Tsukamoto D14/485
- D719,180 S * 12/2014 Liang D14/486
- D721,084 S * 1/2015 Kimball D14/485
- D724,618 S * 3/2015 Shin D14/487
- D725,148 S * 3/2015 Pereira D14/492

(Continued)

Primary Examiner — Rhea Shields

(74) *Attorney, Agent, or Firm* — IPSILON USA, LLP

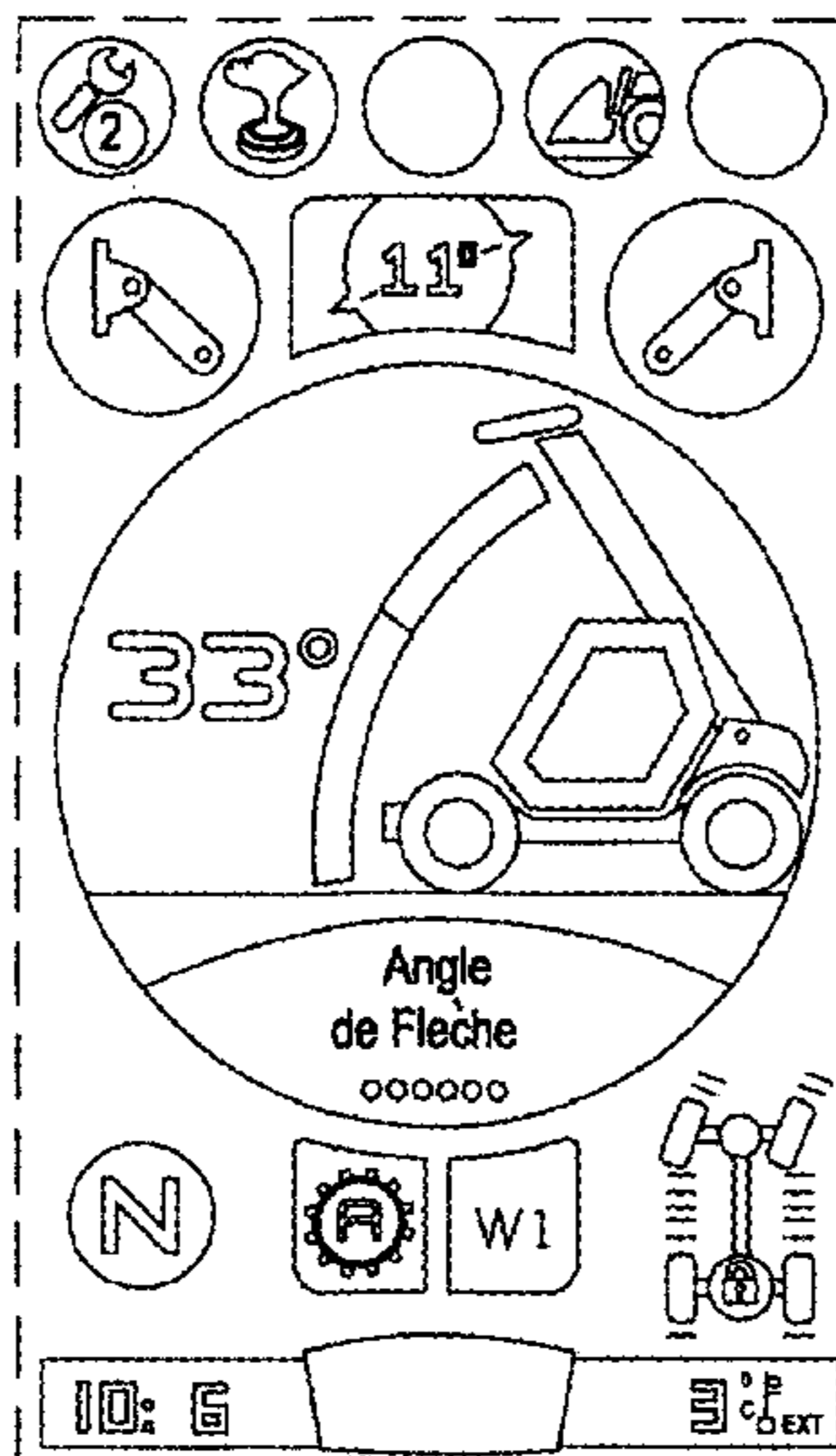
(57) **CLAIM**

The ornamental design for a display screen or portion thereof with graphical user interface, as shown and described.

DESCRIPTION

The FIGURE is a front view of a display screen or portion thereof with graphical user interface. In the drawings, the broken lines are for the purpose of illustrating portions of the display screen or portion thereof and forms no part of the claimed design.

1 Claim, 1 Drawing Sheet



(56)

References Cited

U.S. PATENT DOCUMENTS

D728,598 S *	5/2015	Lee	D14/486
D729,260 S *	5/2015	Ahn	D14/485
D730,395 S *	5/2015	Smith	D14/489
D735,748 S *	8/2015	Francisco	D14/487
2015/0082162 A1 *	3/2015	Cho	G06F 3/016 715/702

* cited by examiner

