



US00D834586S

(12) **United States Design Patent** (10) **Patent No.:** **US D834,586 S**
Akana et al. (45) **Date of Patent:** **** *Nov. 27, 2018**

(54) **KEYBOARD**

(71) Applicant: **Apple Inc.**, Cupertino, CA (US)

(72) Inventors: **Jody Akana**, San Francisco, CA (US); **Molly Anderson**, San Francisco, CA (US); **Bartley K. Andre**, Palo Alto, CA (US); **Shota Aoyagi**, San Francisco, CA (US); **Anthony Michael Ashcroft**, San Francisco, CA (US); **Jeremy Bataillou**, San Francisco, CA (US); **Daniel J. Coster**, San Francisco, CA (US); **Daniele De Iuliis**, San Francisco, CA (US); **M. Evans Hankey**, San Francisco, CA (US); **Julian Hoenig**, San Francisco, CA (US); **Richard P. Howarth**, San Francisco, CA (US); **Jonathan P. Ive**, San Francisco, CA (US); **Duncan Robert Kerr**, San Francisco, CA (US); **Peter Russell-Clarke**, San Francisco, CA (US); **Benjamin Andrew Shaffer**, San Jose, CA (US); **Mikael Silvanto**, San Francisco, CA (US); **Christopher J. Stringer**, Woodside, CA (US); **Clement Tissandier**, San Francisco, CA (US); **Eugene Antony Whang**, San Francisco, CA (US); **Rico Zörkendörfer**, San Francisco, CA (US)

(73) Assignee: **Apple Inc.**, Cupertino, CA (US)

(*) Notice: This patent is subject to a terminal disclaimer.

(**) Term: **15 Years**

(21) Appl. No.: **29/606,501**

(22) Filed: **Jun. 5, 2017**

Related U.S. Application Data

(63) Continuation of application No. 29/558,786, filed on Mar. 21, 2016, now Pat. No. Des. 788,784.

(51) **LOC (11) Cl.** 14-02

(52) **U.S. Cl.**
USPC **D14/455**

(58) **Field of Classification Search**
USPC D14/250, 315–327, 345, 391–399, 440, D14/455, 456; D18/1, 2, 7, 11;
(Continued)

(56) **References Cited**

U.S. PATENT DOCUMENTS

3,461,009 A 8/1969 Snyder et al.
D364,191 S 11/1995 Allen
(Continued)

FOREIGN PATENT DOCUMENTS

JP D1475195 S 7/2013
JP D1517990 S 2/2015
(Continued)

OTHER PUBLICATIONS

Belkin International, Inc., “Belkin Expands Keyboard Lineup to New Apple Ipad Mini,” dated Nov. 14, 2012.
(Continued)

Primary Examiner — Freda S Nunn
(74) *Attorney, Agent, or Firm* — Sterne, Kessler, Goldstein & Fox P.L.L.C.

(57) **CLAIM**

The ornamental design for a keyboard, as shown and described.

DESCRIPTION

U.S. Design application Ser. No. 29/538,661 filed Sept. 4, 2015 is incorporated herein in its entirety by reference thereto.

FIG. 1 is a bottom front perspective view of a keyboard showing the claimed design;

FIG. 2 is a bottom top rear perspective view thereof;

(Continued)

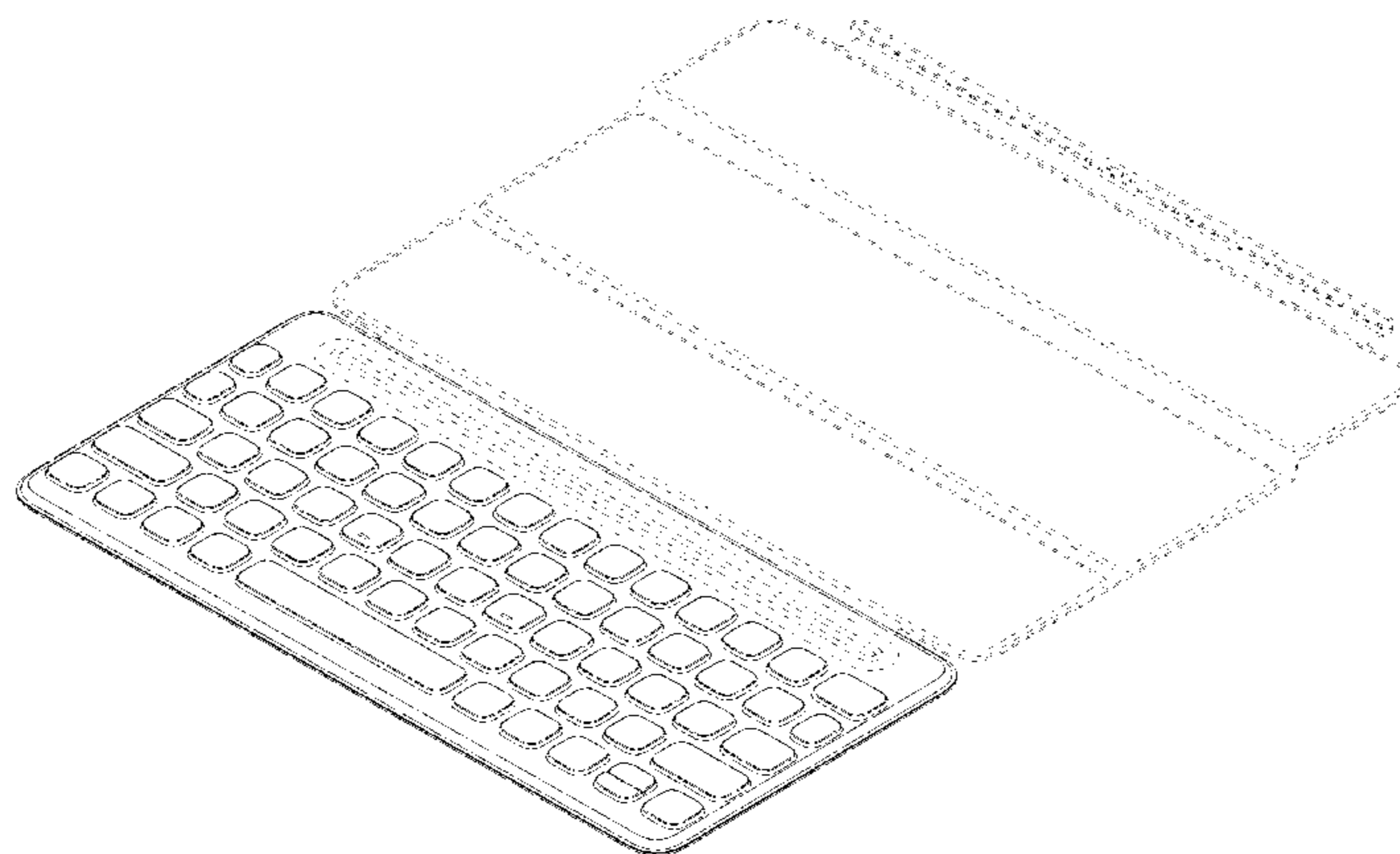


FIG. 3 is a front view thereof;
 FIG. 4 is a rear view thereof;
 FIG. 5 is a left side view thereof;
 FIG. 6 is a right side view thereof;
 FIG. 7 is a top view thereof; and,
 FIG. 8 is a bottom view thereof.
 The broken lines in the figures show portions of the keyboard that form no part of the claimed design.

1 Claim, 6 Drawing Sheets

(58) **Field of Classification Search**

USPC 235/145 A, 145 R; 341/22, 23; 345/104,
 345/156, 168, 169, 173; 361/679.08,
 361/679.09, 679.11, 679.26, 679.27
 CPC G06F 1/16; G06F 1/1616; G06F 1/1626;
 G06F 1/1632; G06F 1/1613; G06F
 1/1601; G06F 1/1618; G06F 1/162; G06F
 3/0221; G06F 3/0216; H01R 35/02;
 H03M 11/00; G09B 13/04; H03K 17/94;
 G09G 5/00; F16M 11/10; H05K 5/00;
 H04M 1/0237; H01H 13/14; H01H 13/84;
 B41J 5/00; B41J 5/12; B41J 5/10
 See application file for complete search history.

(56) **References Cited**

U.S. PATENT DOCUMENTS

D409,175 S 5/1999 Renk
 5,908,265 A 6/1999 Mostkoff
 D467,429 S 12/2002 Bone et al.
 D516,079 S 2/2006 Solomon et al.
 D525,980 S 8/2006 Wang et al.
 D581,726 S 12/2008 Shamoon
 D592,211 S 5/2009 Ichise et al.
 D604,300 S 11/2009 Andre et al.
 D607,826 S 1/2010 Shaw
 D607,827 S 1/2010 Shaw
 D612,843 S 3/2010 Andre et al.
 D616,886 S 6/2010 Andre et al.
 D637,814 S 5/2011 Andre et al.
 D640,695 S 6/2011 Andre et al.
 D645,471 S 9/2011 Gardner et al.
 D645,860 S 9/2011 Andre et al.
 D653,665 S 2/2012 Maruyama
 8,124,216 B2 2/2012 Antonini
 D656,929 S 4/2012 Hsiung
 D658,186 S 4/2012 Akana et al.
 D671,114 S 11/2012 Akana et al.
 D672,353 S 12/2012 Liu
 D672,781 S 12/2012 Lu
 D674,800 S 1/2013 Kim
 D676,848 S 2/2013 Smith et al.
 D677,668 S 3/2013 Phillips et al.
 D678,260 S 3/2013 Bau
 D678,300 S 3/2013 Groene et al.
 D679,279 S 4/2013 Yang et al.
 D679,703 S 4/2013 Tanaka
 D682,832 S 5/2013 Smith et al.
 D682,839 S 5/2013 Sampson et al.
 D685,802 S 7/2013 Canizares et al.
 D688,251 S 8/2013 Akana et al.
 D691,135 S 10/2013 Choi
 D692,886 S 11/2013 Bates et al.
 D692,902 S 11/2013 Groene et al.
 D695,291 S 12/2013 Andre et al.
 D695,464 S 12/2013 Hardy
 D695,743 S 12/2013 Akana et al.
 D696,253 S 12/2013 Akana et al.
 D696,254 S 12/2013 Groene et al.
 D696,262 S 12/2013 Groene et al.

D696,667 S 12/2013 Helwig et al.
 D701,214 S * 3/2014 Gengler D14/447
 D703,209 S 4/2014 Marcus
 D704,702 S 5/2014 Akana et al.
 D704,717 S 5/2014 Tanaka
 D705,227 S 5/2014 Groene et al.
 D706,270 S 6/2014 Akana et al.
 D714,791 S 10/2014 Liu
 D720,355 S 12/2014 Akana et al.
 D720,747 S 1/2015 Kim et al.
 D720,748 S 1/2015 Groene et al.
 D731,485 S 6/2015 Kim et al.
 D731,486 S 6/2015 Kim et al.
 D735,196 S 7/2015 Son
 D735,205 S 7/2015 Akana et al.
 D735,212 S 7/2015 Son
 D740,113 S 10/2015 Olenick
 D740,298 S 10/2015 Son et al.
 D740,831 S * 10/2015 Colby D14/455
 D742,740 S 11/2015 Kim et al.
 D746,819 S 1/2016 Feiz et al.
 D749,587 S * 2/2016 Lee D14/392
 D750,079 S 2/2016 Chen et al.
 D750,081 S 2/2016 Jeong et al.
 D750,095 S 2/2016 Jeong et al.
 D750,629 S 3/2016 Kim et al.
 D751,553 S 3/2016 Kim et al.
 D751,567 S 3/2016 Seoc et al.
 D753,648 S 4/2016 Shyu et al.
 D754,652 S 4/2016 Roberts et al.
 D761,267 S 7/2016 Chen et al.
 D765,630 S 9/2016 Harata et al.
 D775,133 S 12/2016 Akana et al.
 D776,115 S 1/2017 Akana et al.
 D776,116 S 1/2017 Akana et al.
 D778,918 S * 2/2017 Sauvage D14/455
 D779,485 S 2/2017 Akana et al.
 D779,489 S 2/2017 Akana et al.
 D779,490 S 2/2017 Akana et al.
 D788,784 S * 6/2017 Akana D14/456
 D789,934 S 6/2017 Akana et al.
 2007/0121311 A1 5/2007 Chou
 2008/0266782 A1 10/2008 Zhang
 2009/0159763 A1 6/2009 Kim
 2009/0283393 A1 11/2009 Chen et al.
 2011/0042195 A1 2/2011 Tsai
 2011/0227463 A1 9/2011 Hou et al.
 2012/0194448 A1 2/2012 Rothkopf
 2012/0140396 A1 6/2012 Zelif et al.
 2012/0211377 A1 8/2012 Sajid
 2012/0261289 A1 10/2012 Wyner et al.
 2013/0233762 A1 9/2013 Balaji et al.
 2014/0158645 A1 6/2014 Thomas
 2014/0186085 A1 7/2014 Zhang
 2014/0267050 A1 * 9/2014 Spollen G06F 3/0219
 345/168
 2016/0018854 A1 1/2016 Yu et al.
 2016/0119011 A1 4/2016 Thompson et al.

FOREIGN PATENT DOCUMENTS

JP D1537210 S 11/2015
 JP D1547736 S 4/2016
 KR 30-0779797 S 1/2015

OTHER PUBLICATIONS

Wayback Machine Internet Archive, Tangram Design Lab Inc.,
 "Smart Top: Ipad and Wireless Keyboard at a Time" <<https://web.archive.org/web/20121013124127/http://tangramdesignlab.com/smarttop/en/>> dated Oct. 13, 2012, accessed Nov. 9, 2016.
 U.S. Appl. No. 29/570,005, filed Jul. 1, 2016.
 U.S. Appl. No. 29/570,006, filed Jul. 1, 2016.
 U.S. Appl. No. 29/570,007, filed Jul. 1, 2016.
 U.S. Appl. No. 29/570,008, filed Jul. 1, 2016.

* cited by examiner

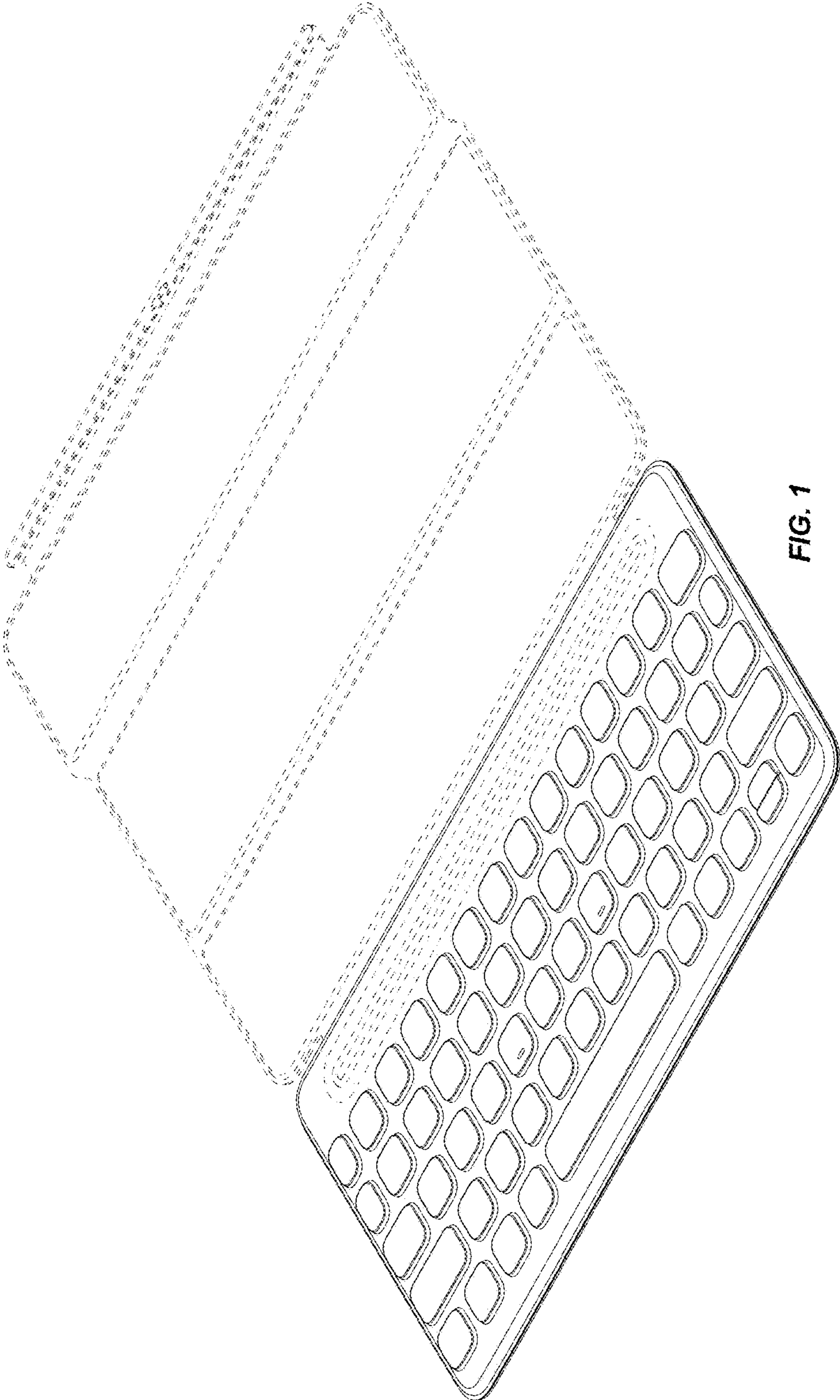


FIG. 1

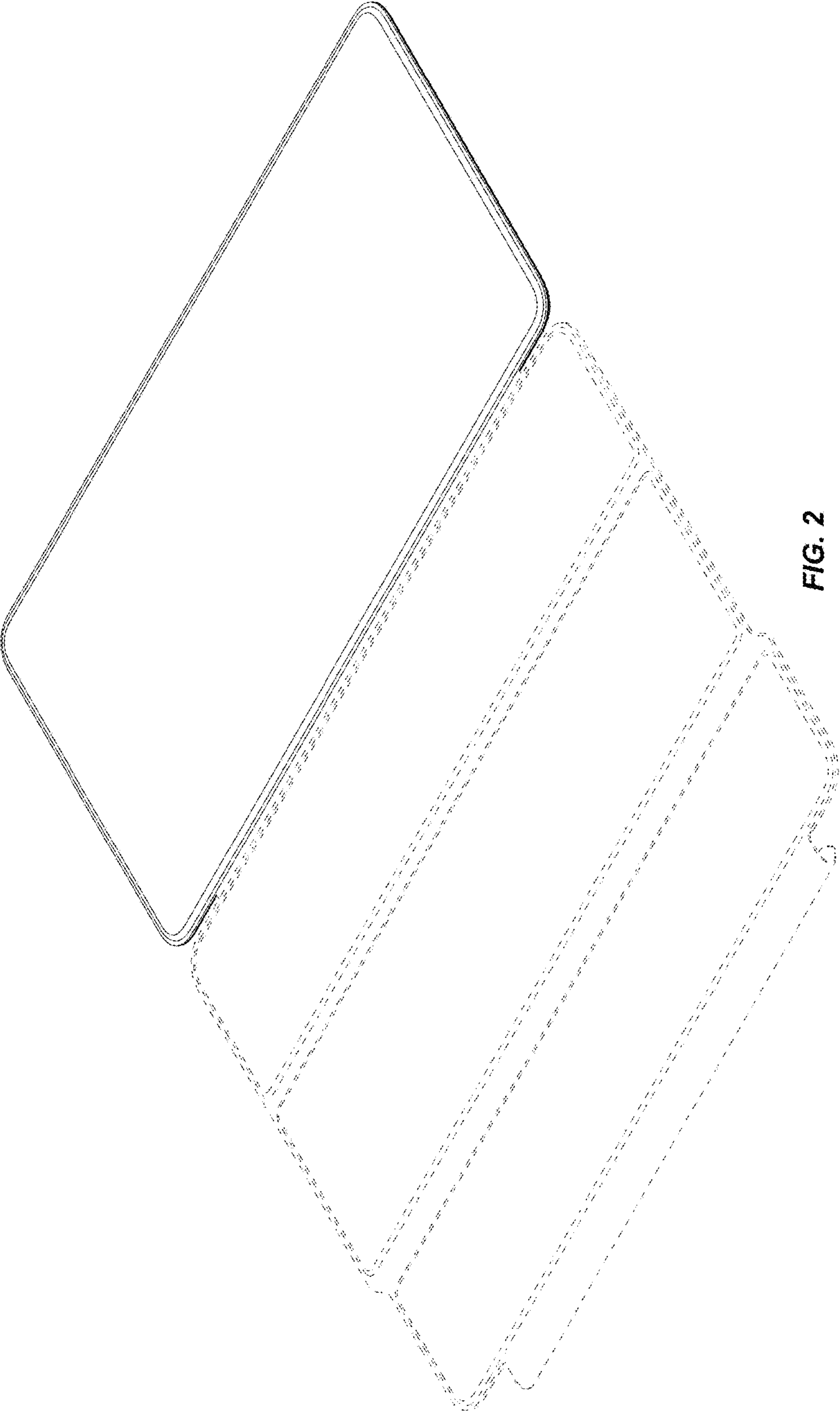


FIG. 2

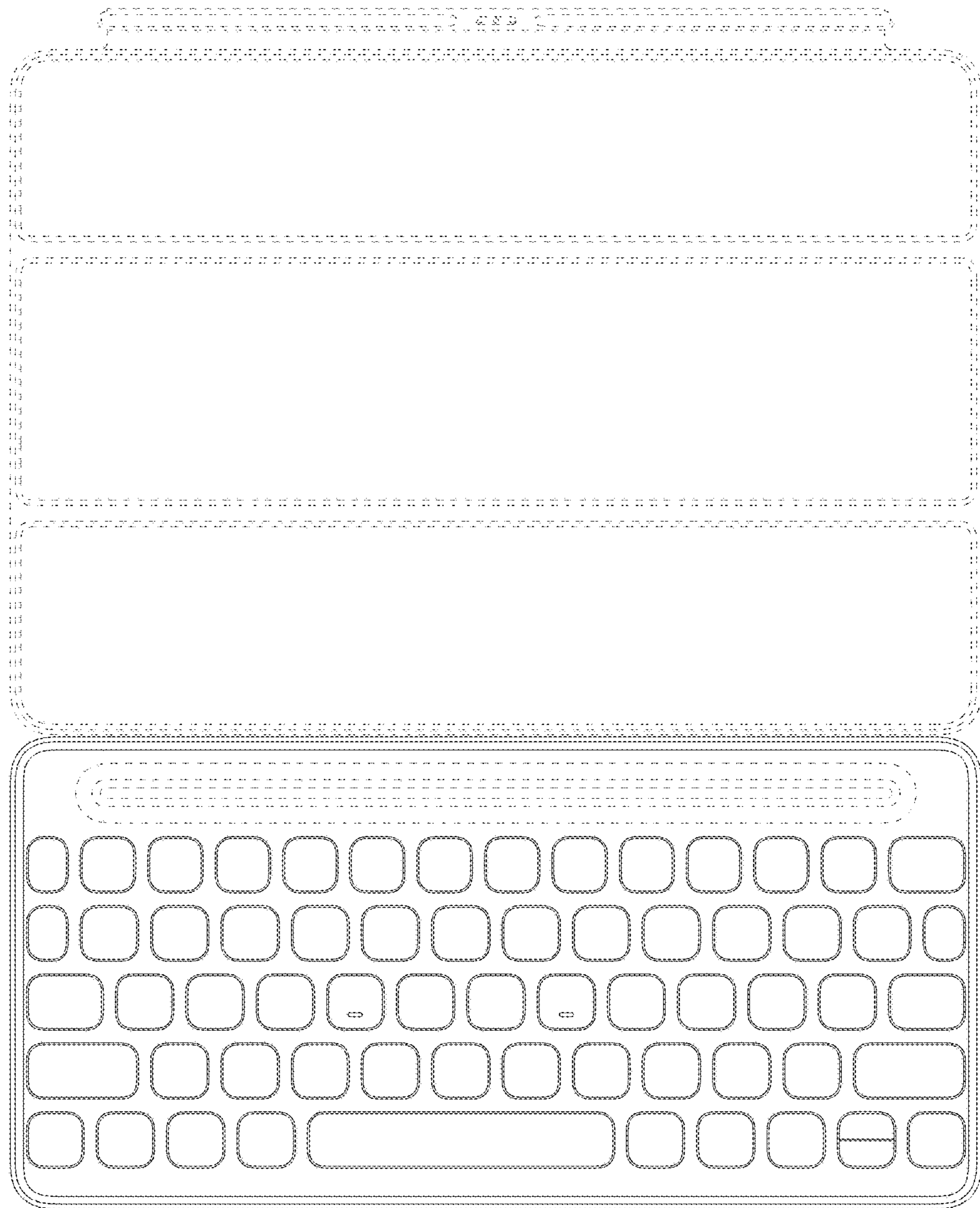


FIG. 3

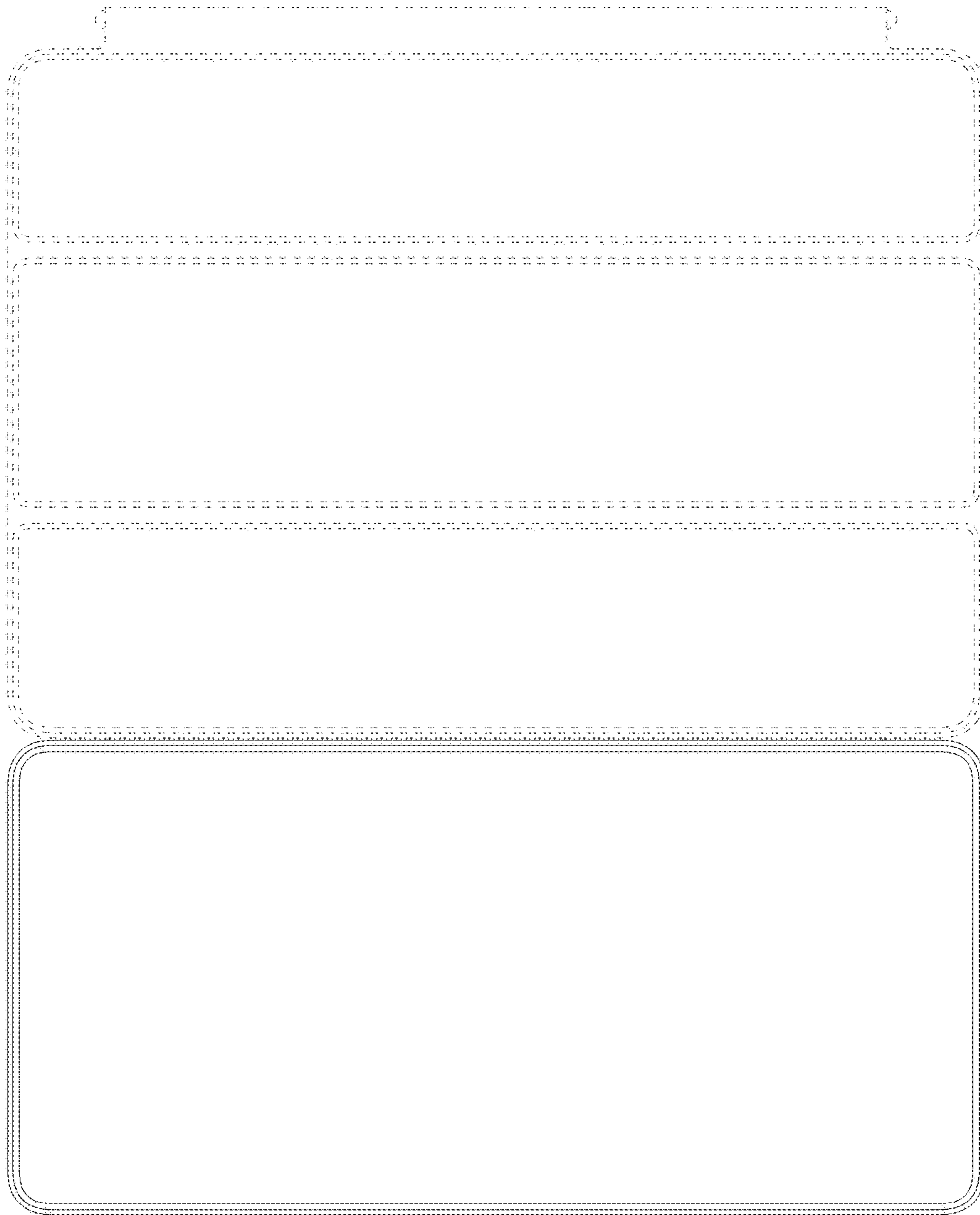


FIG. 4

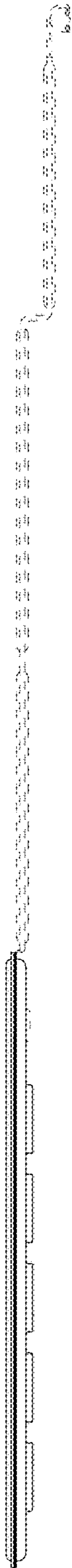


FIG. 5

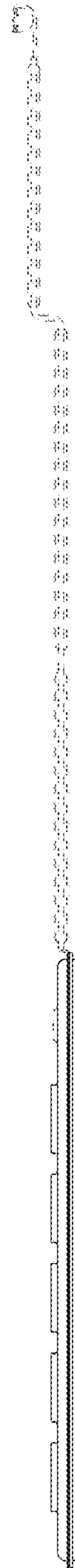


FIG. 6

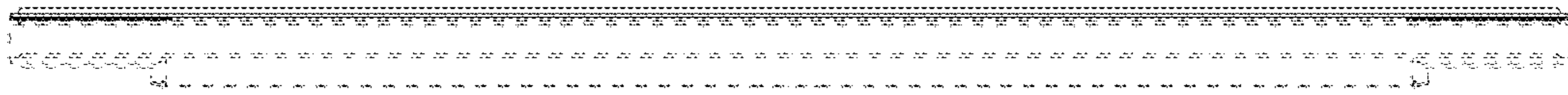


FIG. 7

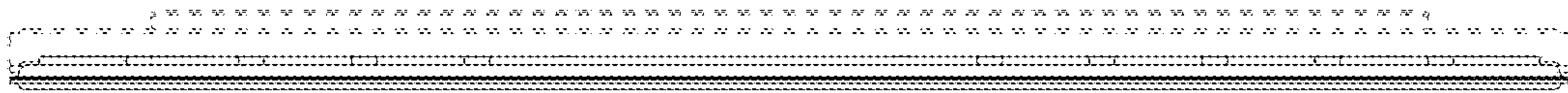


FIG. 8

UNITED STATES PATENT AND TRADEMARK OFFICE
CERTIFICATE OF CORRECTION

PATENT NO. : D834,586 S
APPLICATION NO. : 29/606501
DATED : November 27, 2018
INVENTOR(S) : Akana et al.

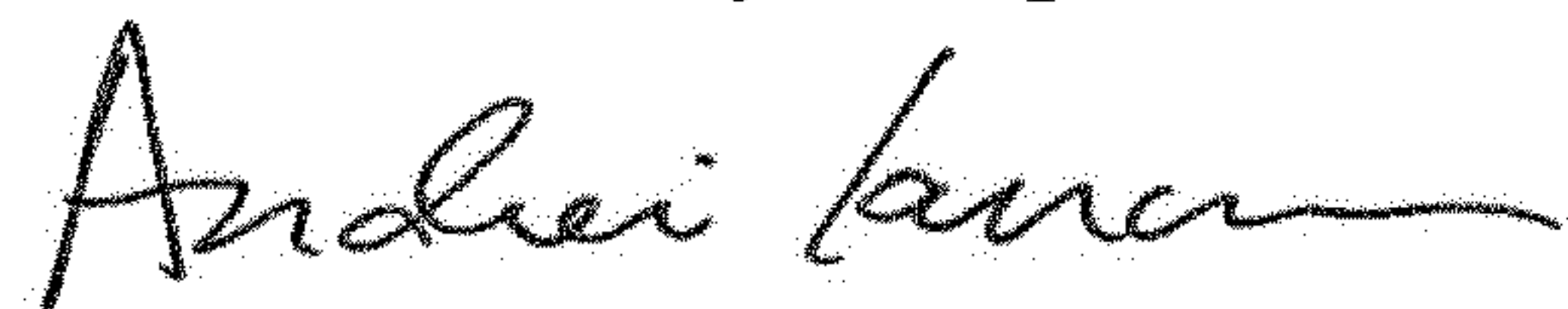
Page 1 of 1

It is certified that error appears in the above-identified patent and that said Letters Patent is hereby corrected as shown below:

On the Title Page

In the Description, item (57), Line 6, please replace:
“FIG. 2 is a bottom top rear perspective view thereof;”
With:
“FIG. 2 is a top rear perspective view thereof;”

Signed and Sealed this
Sixteenth Day of April, 2019



Andrei Iancu
Director of the United States Patent and Trademark Office