



US00D834584S

(12) **United States Design Patent** (10) **Patent No.:** **US D834,584 S**
Jung et al. (45) **Date of Patent:** **** Nov. 27, 2018**

(54) **STAND FOR MONITOR**

FOREIGN PATENT DOCUMENTS

(71) Applicant: **Samsung Electronics Co., Ltd.**,
Suwon-si (KR)

CN 301597958 6/2011
KR 300667787 11/2012

(Continued)

(72) Inventors: **Min-Joon Jung**, Seoul (KR); **Tae-Yeon Won**, Seoul (KR)

Primary Examiner — Katie Jane Stofko

(73) Assignee: **SAMSUNG ELECTRONICS CO., LTD.**, Suwon-si (KR)

(74) *Attorney, Agent, or Firm* — McAndrews Held & Malloy, Ltd.

(**) Term: **15 Years**

(21) Appl. No.: **29/598,340**

(57) **CLAIM**

(22) Filed: **Mar. 24, 2017**

The ornamental design for a stand for monitor, as shown and described.

(30) **Foreign Application Priority Data**

Oct. 11, 2016 (KR) 30-2016-0048590

(51) **LOC (11) Cl.** **14-02**

(52) **U.S. Cl.**
USPC **D14/452**

(58) **Field of Classification Search**

USPC D14/371-382, 125-129, 335-337,
D14/447-452, 492, 239, 457, 439-441,
D14/432, 251-253; D8/349, 354, 363,
D8/373, 376, 380; 348/180, 184, 325,
348/739, 825; D12/407, 415; D3/218;
341/12

CPC G06F 3/0412; G06F 3/016; G06F 3/0488;
G06F 3/011; G06F 3/038; G06F 3/03543;
G06F 3/0338; G06F 3/0202; G06F
3/0219; G06F 3/0213; G06F 1/1616;
G06F 3/023; G06F 3/04883; G02F
1/13338; G02F 1/1313; G02F 1/1333;
G02F 1/135; G02F

(Continued)

(56) **References Cited**

U.S. PATENT DOCUMENTS

D578,530 S 10/2008 Hasegawa et al.
D688,674 S * 8/2013 Lau D14/452

(Continued)

DESCRIPTION

FIG. 1 is a front perspective view of a stand for monitor showing our new design;

FIG. 2 is a front elevation view thereof;

FIG. 3 is a rear elevation view thereof;

FIG. 4 is a left-side elevation view thereof;

FIG. 5 is a right-side elevation view thereof;

FIG. 6 is a top plan view thereof;

FIG. 7 is a bottom plan view thereof;

FIG. 8 is a rear perspective view thereof;

FIG. 9 is a right-side elevation view thereof, showing the stand for monitor in an alternative configuration;

FIG. 10 is another right-side elevation view thereof, showing the stand for monitor in an alternative configuration; and,

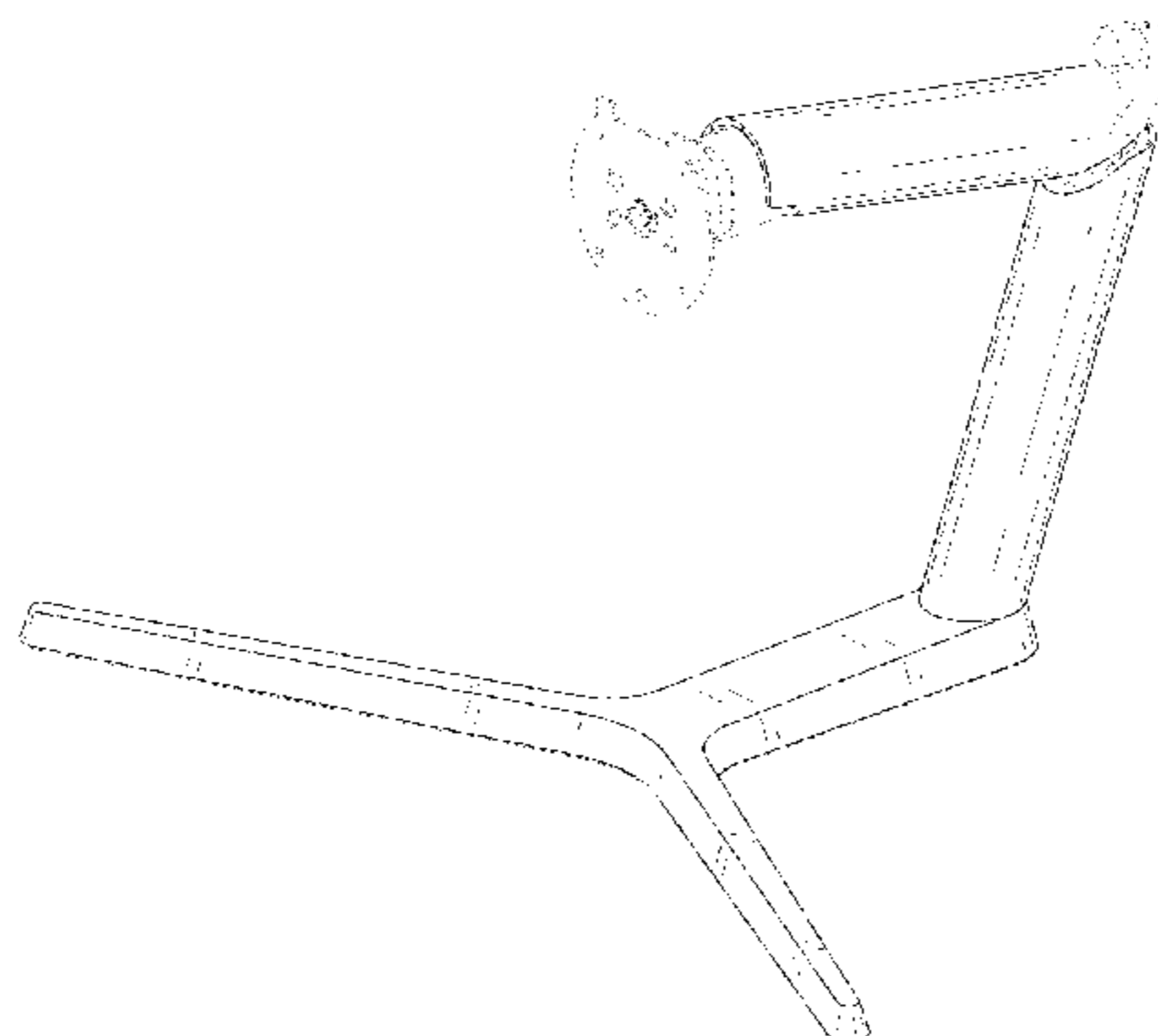
FIG. 11 is a front perspective view thereof, shown in an environment of use.

The broken lines shown in FIGS. 1-10 illustrate portions of the stand for monitor that form no part of the claimed design.

The broken lines illustrating the monitor in FIG. 11 are environment that form no part of the claimed design, while

the remaining broken lines in FIG. 11 illustrate portions of the stand for monitor that form no part of the claimed design.

1 Claim, 9 Drawing Sheets



(58) **Field of Classification Search**

CPC 1/132; G02F 1/133308; G02F 1/134309;
G02F 1/13718; G09G 3/3648; G06K
15/1252; B41J 2/465; G03F 7/70291;
G02B 27/0172; G02B 5/30; G02B
2027/0118; G02B 27/0101; F16M 13/02;
F16M 13/00; F16M 11/10; F16M 11/04;
F16M 2200/08; F16M 11/2021; A47B
21/0314; A47B 88/044; A47B 2021/0335;
H02G 3/126; F16B 47/00; F16B 47/006;
A47G 1/17; A47K 2201/00

See application file for complete search history.

(56) **References Cited**

U.S. PATENT DOCUMENTS

D690,306	S	*	9/2013	Malisse	D14/447
D733,157	S	*	6/2015	Kim	D14/447
D758,373	S	*	6/2016	Kim	D14/451
D758,375	S	*	6/2016	Won	D14/451
D762,213	S	*	7/2016	Won	D14/374
D783,554	S	*	4/2017	Kim	D14/126
D790,542	S	*	6/2017	Jung	D14/374
D796,463	S	*	9/2017	So	D14/126
D799,483	S	*	10/2017	Won	D14/376
D800,082	S	*	10/2017	Ahn	D14/126
D800,706	S	*	10/2017	Ann	D14/239
D807,895	S	*	1/2018	Won	D14/452

FOREIGN PATENT DOCUMENTS

KR	300687001	3/2013
KR	300757709	8/2014

* cited by examiner

FIG. 1

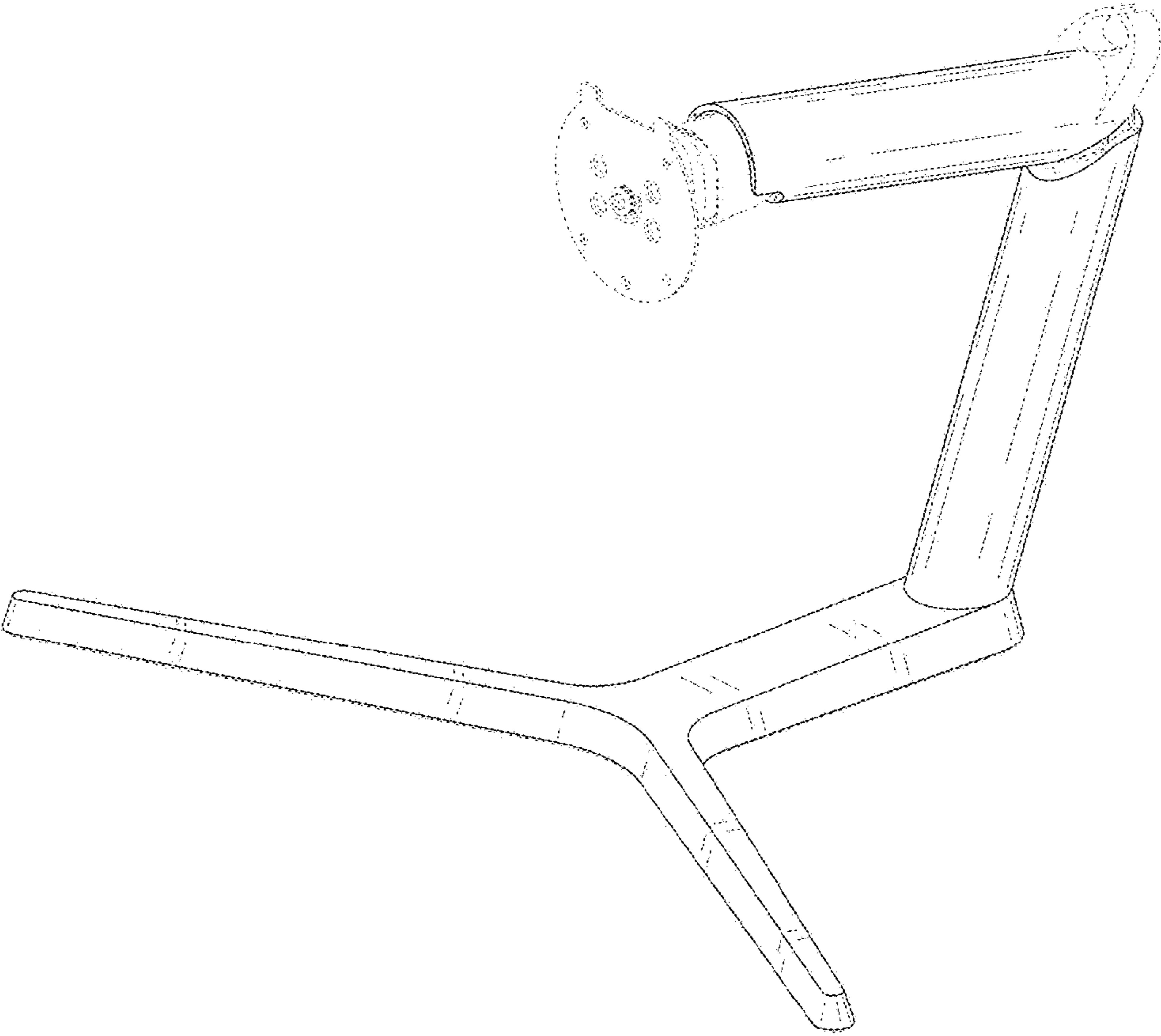


FIG. 2

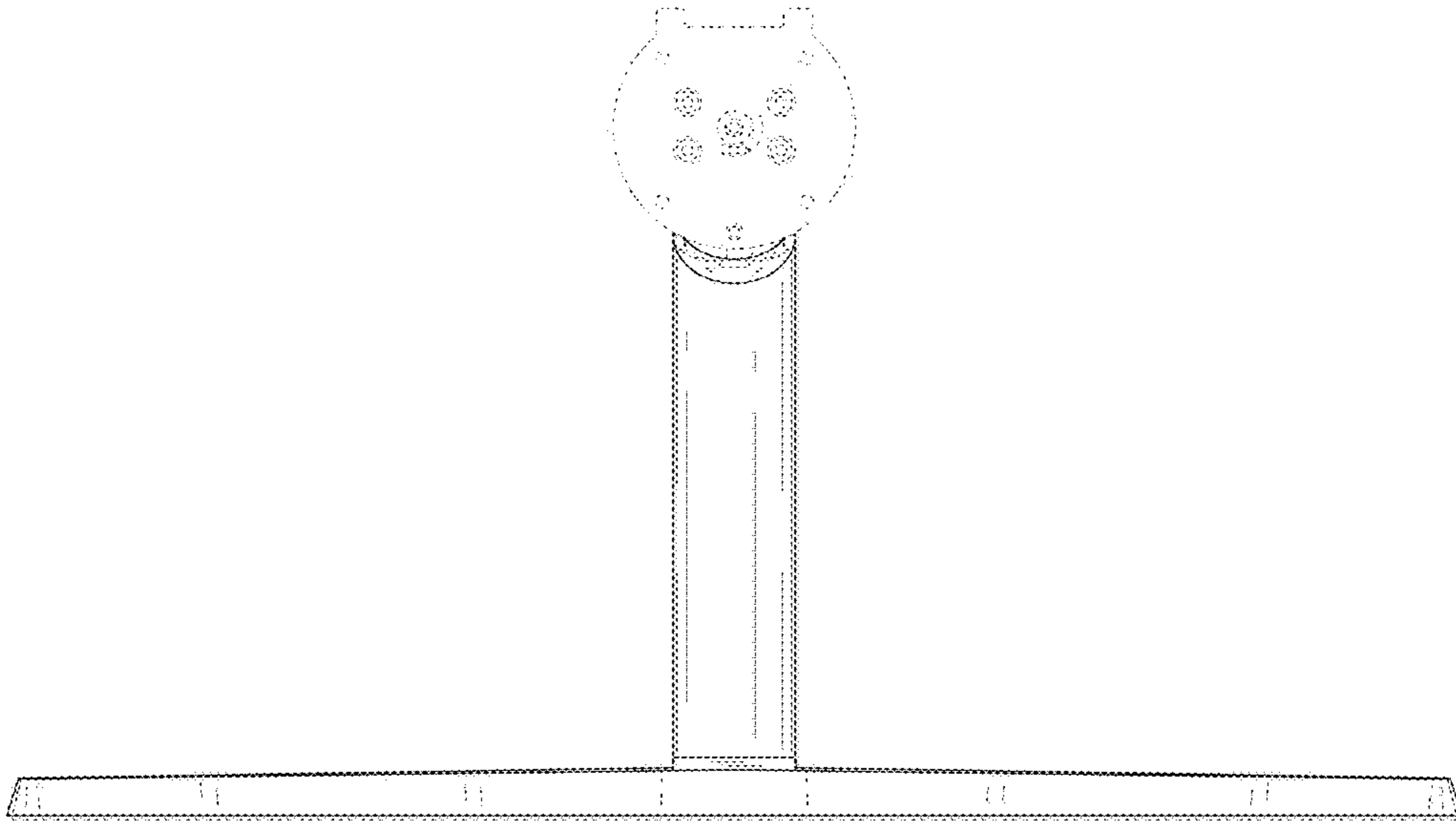


FIG. 3

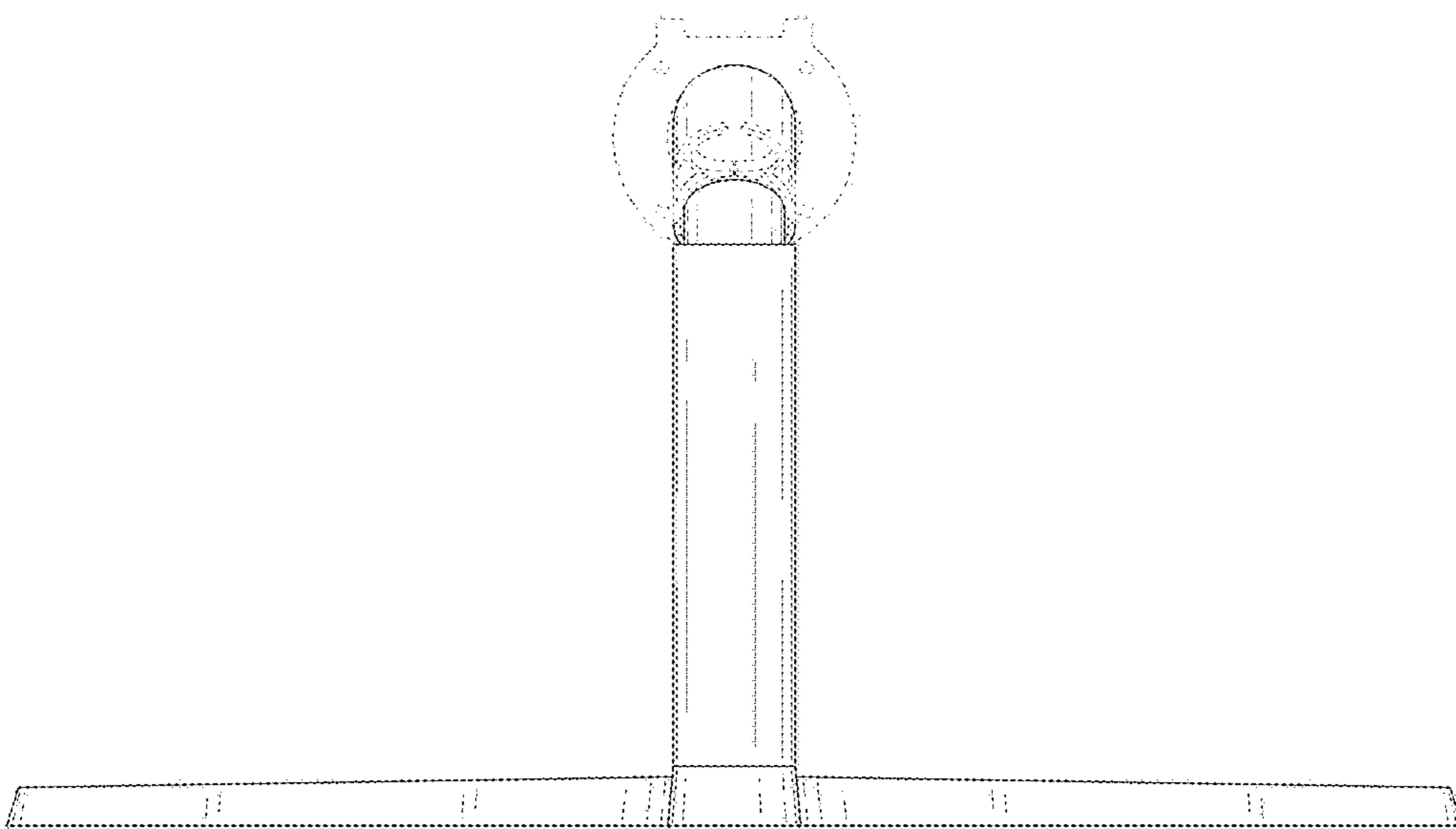


FIG. 4

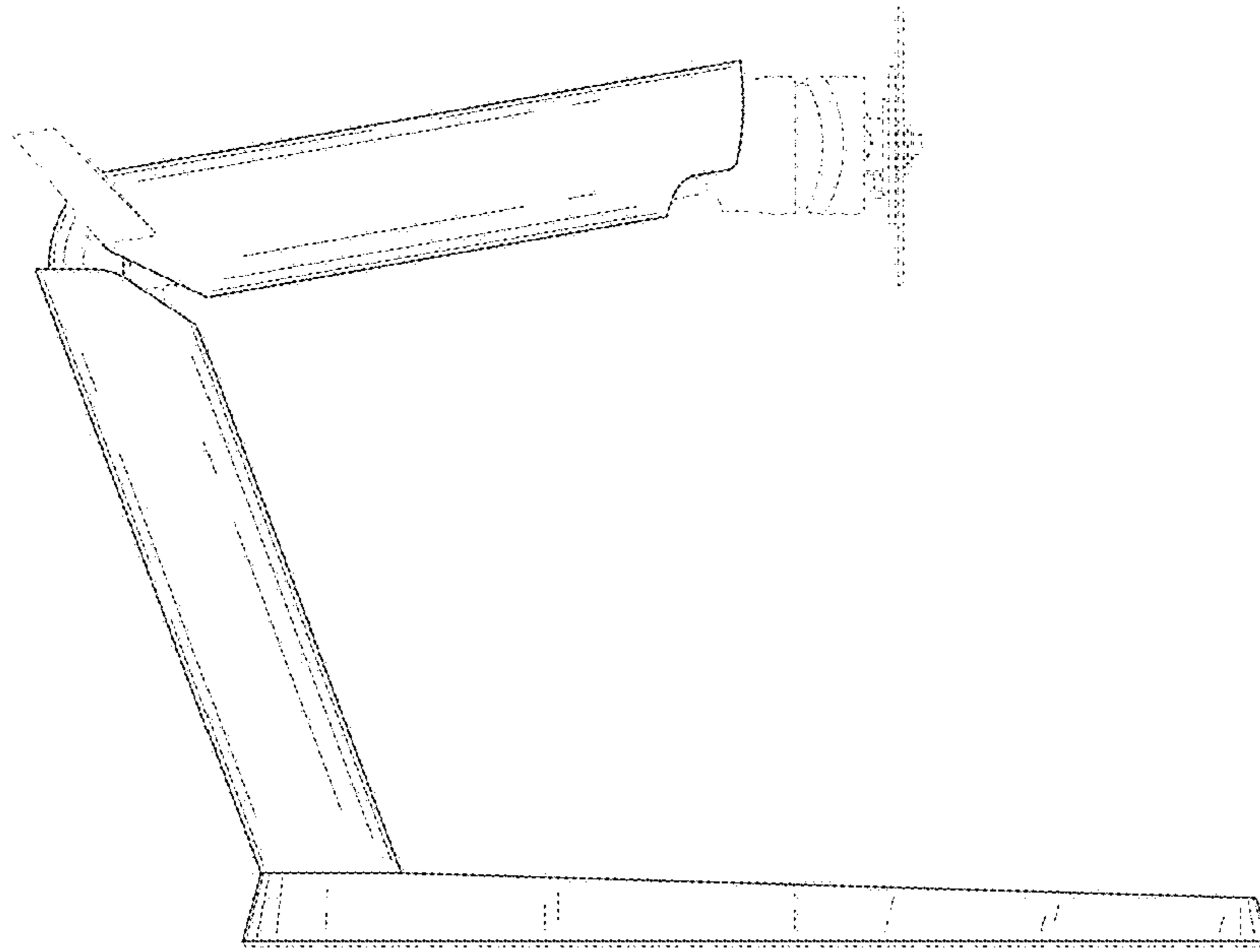


FIG. 5

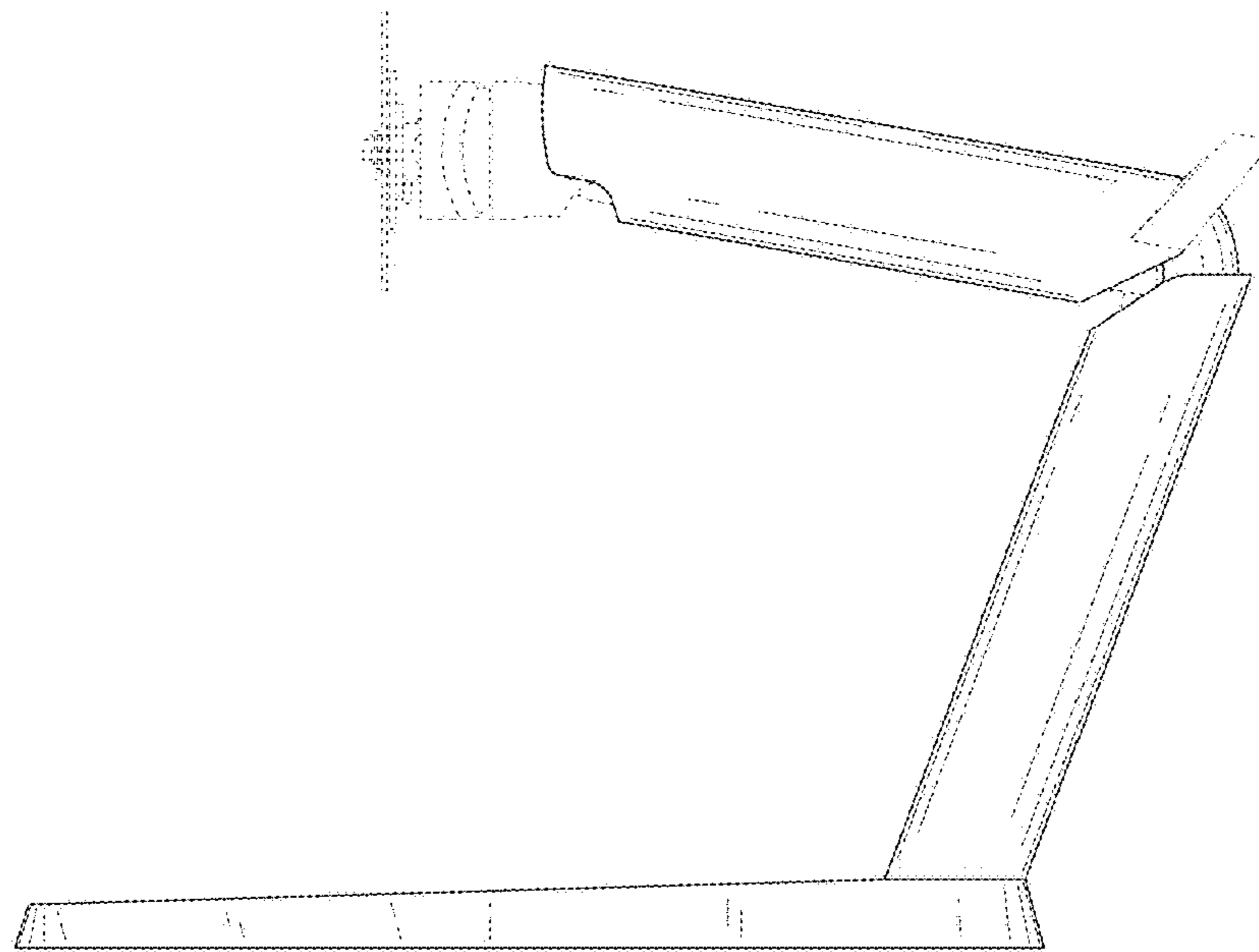


FIG. 6

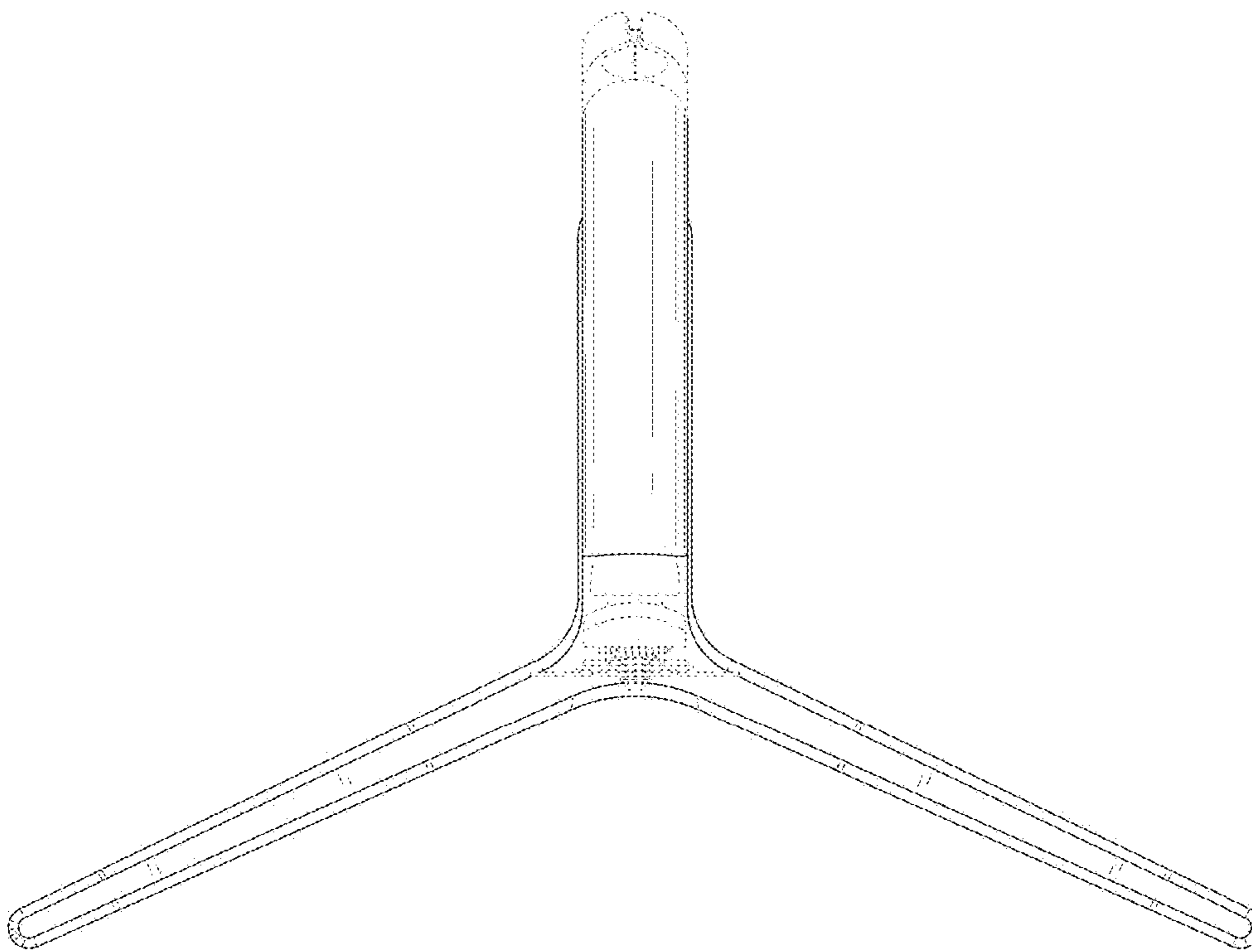


FIG. 7

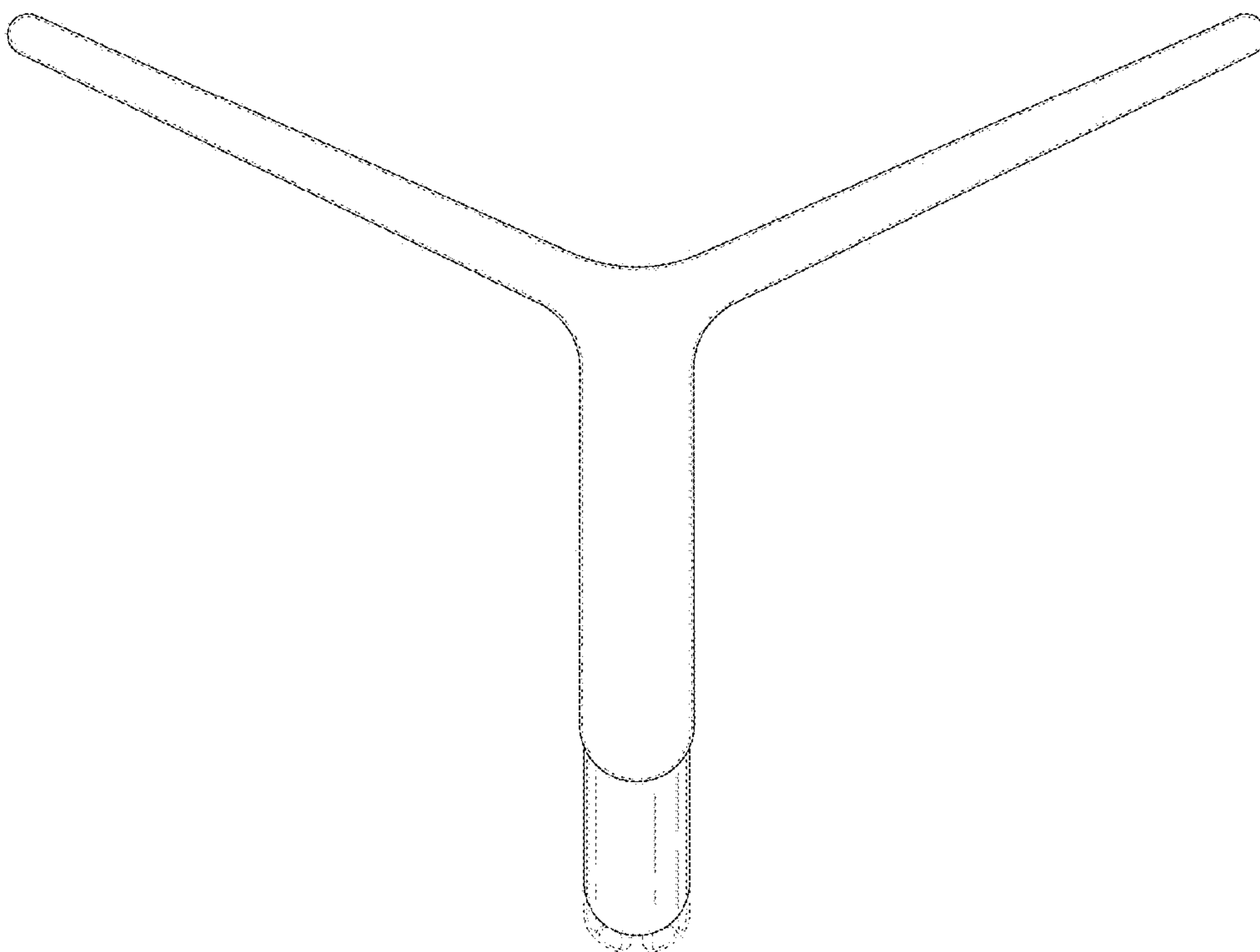


FIG. 8

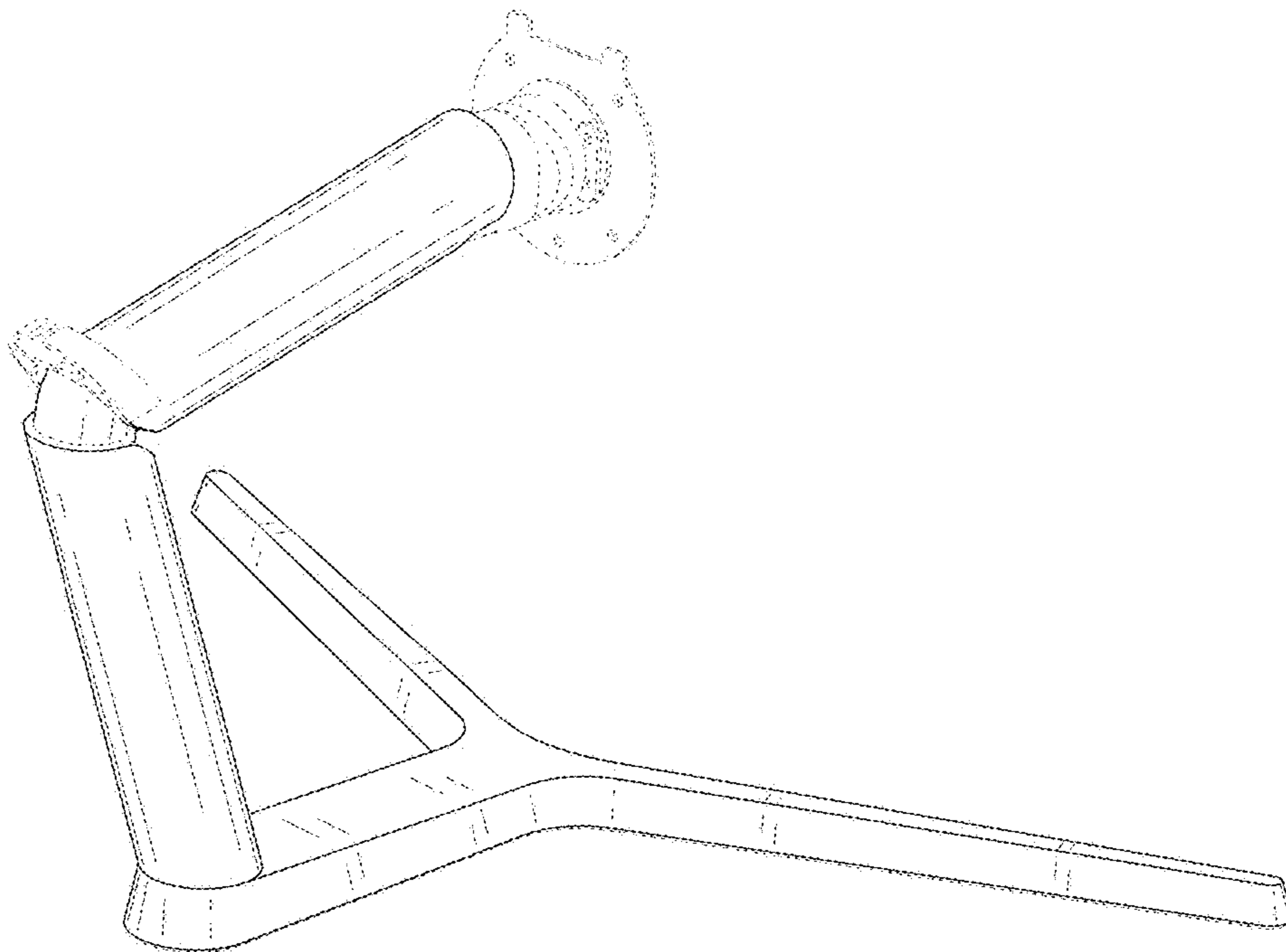


FIG. 9

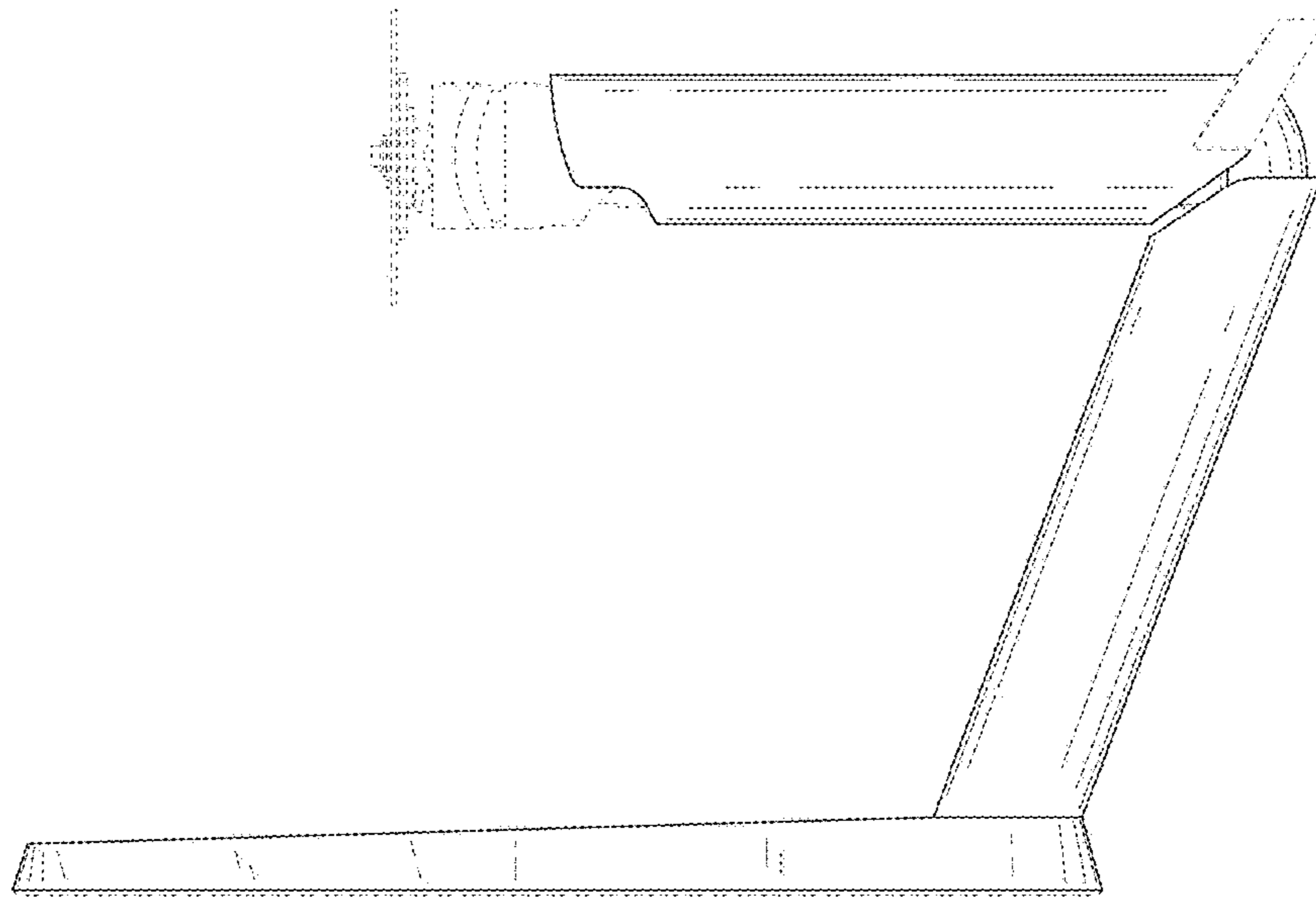


FIG. 10

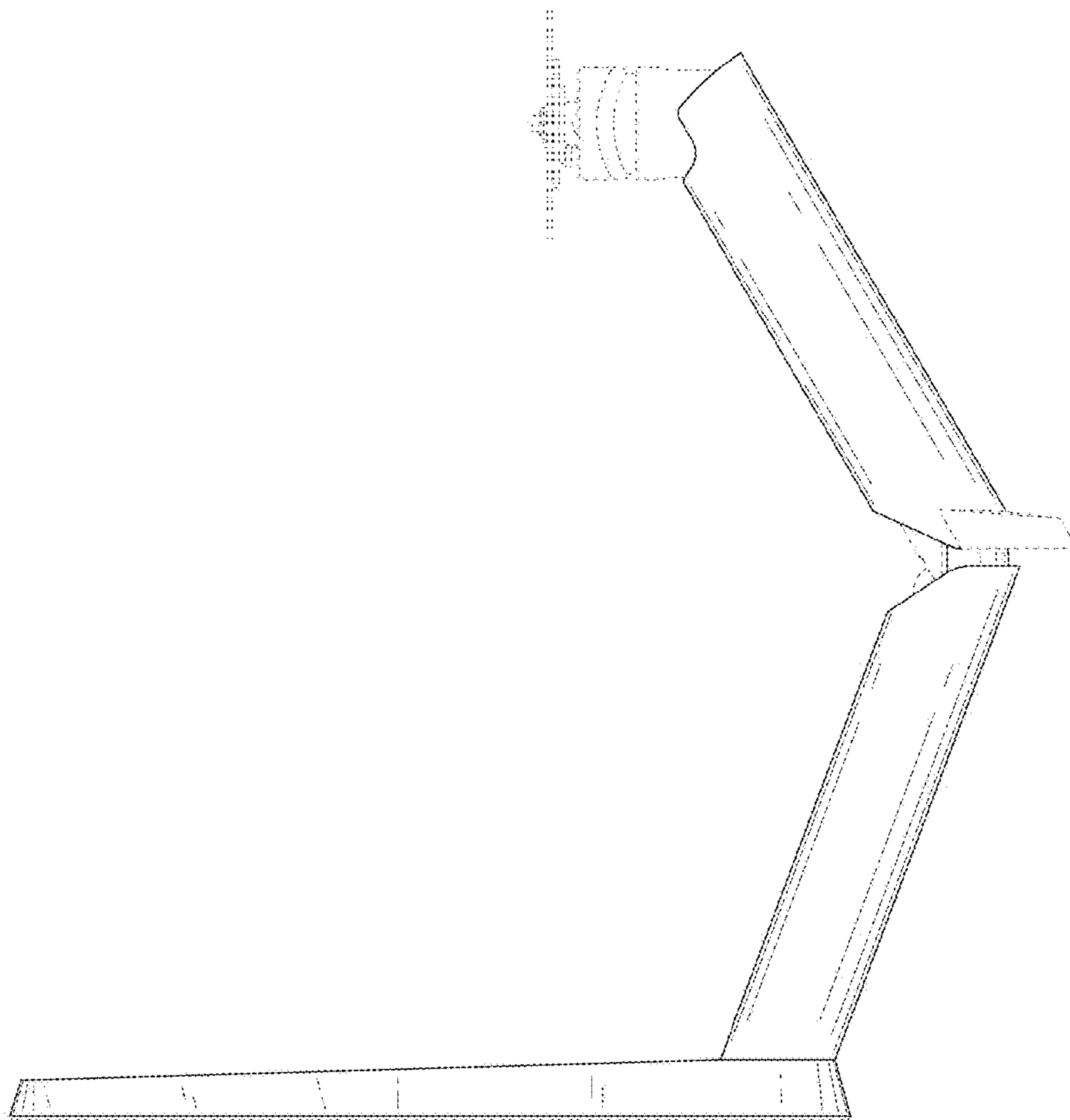


FIG. 11

