



US00D834583S

(12) **United States Design Patent** (10) **Patent No.:** **US D834,583 S**
Janzen et al. (45) **Date of Patent:** **** Nov. 27, 2018**

(54) **RETAINER FOR SUPPORTING AN ELECTRONIC DISPLAY**

D739,947 S 9/2015 Maier
D742,387 S * 11/2015 Xiang D14/447
D752,597 S * 3/2016 Girault D14/447

(Continued)

(71) Applicant: **Tryten Technologies Inc.**, Seattle, WA (US)

(72) Inventors: **Tony Janzen**, Langley (CA); **Otto Baartman**, British Columbia (CA); **Jonathan Culley**, British Columbia (CA)

OTHER PUBLICATIONS

Janzen, T., et al., "Articulated Pole for a Mobile Stand," U.S. Appl. No. 29/630,001, filed Dec. 18, 2017.

(Continued)

(73) Assignee: **Tryten Technologies Inc.**, Seattle, WA (US)

Primary Examiner — Angela J Lee

(74) *Attorney, Agent, or Firm* — Christensen O'Connor Johnson Kindness, PLLC; Ryan Dodge

(**) Term: **15 Years**

(21) Appl. No.: **29/629,999**

(57) **CLAIM**

The ornamental design for a retainer for supporting an electronic display, as shown and described.

(22) Filed: **Dec. 18, 2017**

(51) **LOC (11) Cl.** **08-07**

(52) **U.S. Cl.**
USPC **D14/447**

DESCRIPTION

(58) **Field of Classification Search**
USPC D14/447, 432, 434, 439, 440, 451, 452, D14/457, 239; D8/363, 373, 380; D6/406.3, 406.4, 406.5, 406.6; D12/415; D13/108, 144; D24/186

See application file for complete search history.

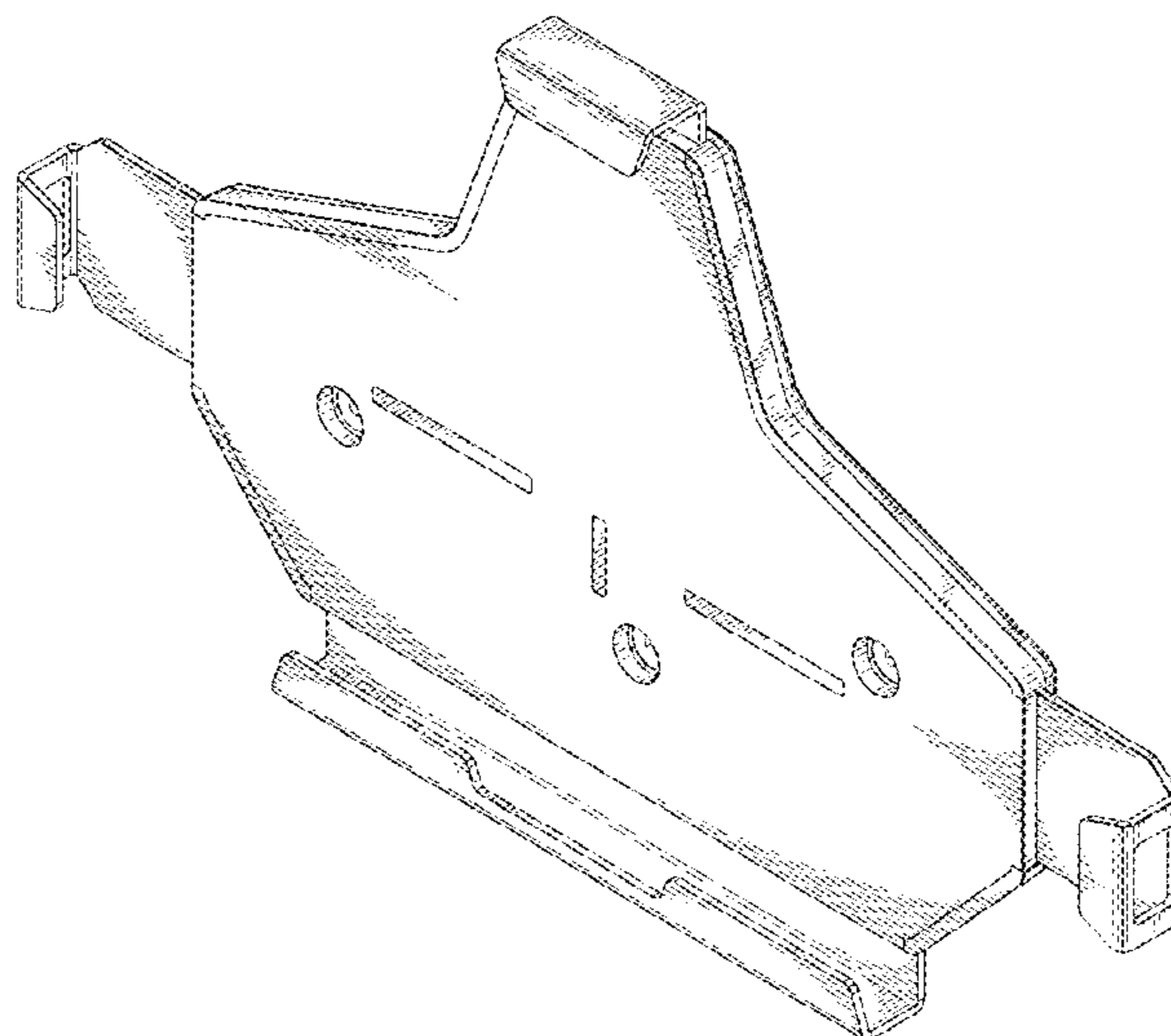
FIG. 1 is an upper-right-front perspective view of a retainer for supporting an electronic display in accordance with the present design;
FIG. 2 is an upper-left-back perspective view of the retainer for supporting an electronic display shown in FIG. 1;
FIG. 3 is a front view of the retainer for supporting an electronic display shown in FIG. 1;
FIG. 4 is a back view of the retainer for supporting an electronic display shown in FIG. 1;
FIG. 5 is a top plan view of the retainer for supporting an electronic display shown in FIG. 1;
FIG. 6 is a bottom plan view of the retainer for supporting an electronic display shown in FIG. 1;
FIG. 7 is a left side view of the retainer for supporting an electronic display shown in FIG. 1; and,
FIG. 8 is a right side view of the retainer for supporting an electronic display shown in FIG. 1.

(56) **References Cited**

U.S. PATENT DOCUMENTS

D435,107 S 12/2000 Blair et al.
7,274,564 B2 9/2007 Rossini
D618,350 S 6/2010 Balas
D646,315 S * 10/2011 Orf D14/263
D650,774 S * 12/2011 Molter D14/239
D652,936 S 1/2012 Ross et al.
D692,436 S * 10/2013 Hung D14/447
D697,919 S * 1/2014 Gelsomini D14/447
D700,706 S 3/2014 Molter
D717,804 S * 11/2014 Budge D14/447

1 Claim, 6 Drawing Sheets



(56)

References Cited

U.S. PATENT DOCUMENTS

D753,126 S * 4/2016 Alesi D14/447
D765,447 S 9/2016 Barham et al.
9,441,782 B2 9/2016 Funk et al.
D765,646 S * 2/2017 Deng D12/415
D778,283 S * 2/2017 Tsai D14/447
D783,837 S 4/2017 Janzen
D796,047 S 8/2017 Janzen
D804,487 S * 12/2017 Theis D14/447
2008/0061195 A1 3/2008 Carnevali
2008/0142667 A1 6/2008 German et al.
2009/0294604 A1 12/2009 Sunderland
2012/0025036 A1 * 2/2012 Huang F16M 11/041
248/122.1
2016/0367329 A1 12/2016 Dekel
2017/0188724 A1 * 7/2017 Lin E05B 73/0082

OTHER PUBLICATIONS

Janzen, T., et al., "Base for a Mobile Stand," U.S. Appl. No. 29/630,000, filed Dec. 18, 2017.
Janzen, T., et al., "Mobile Stand for an Electronic Display Device," U.S. Appl. No. 29/629,998, filed Dec. 18, 2017.

* cited by examiner

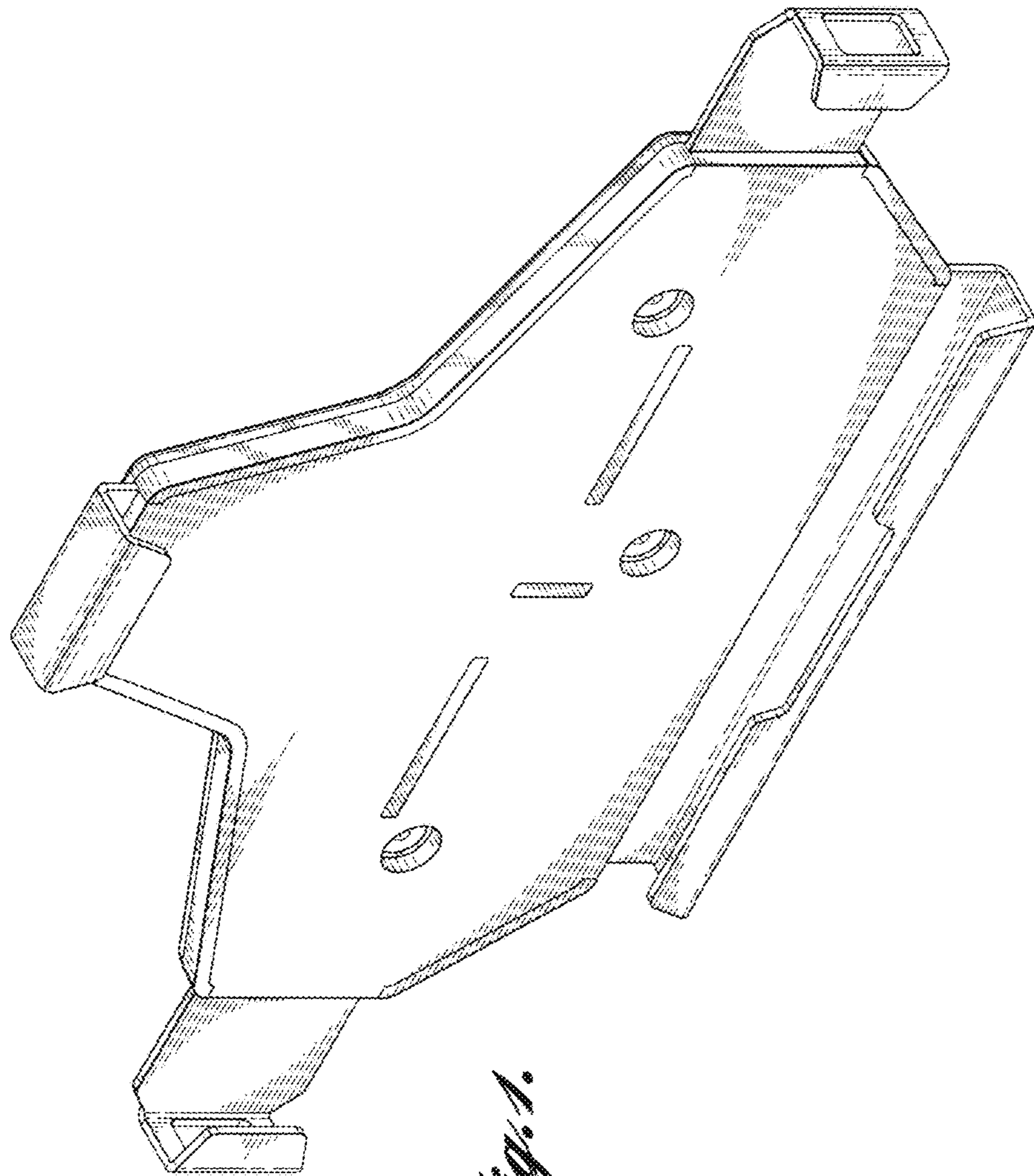


Fig. 1.

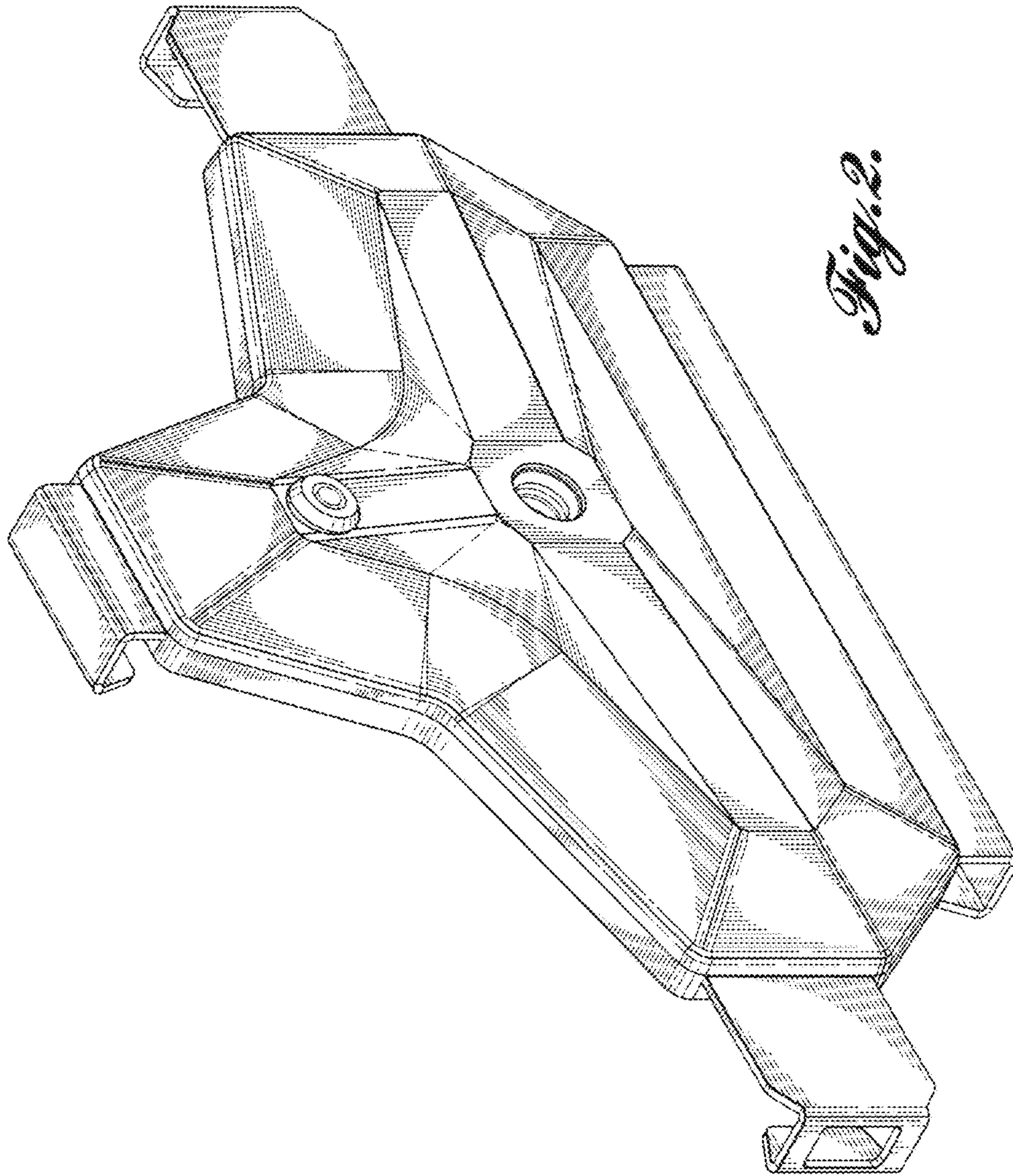


Fig. 2.

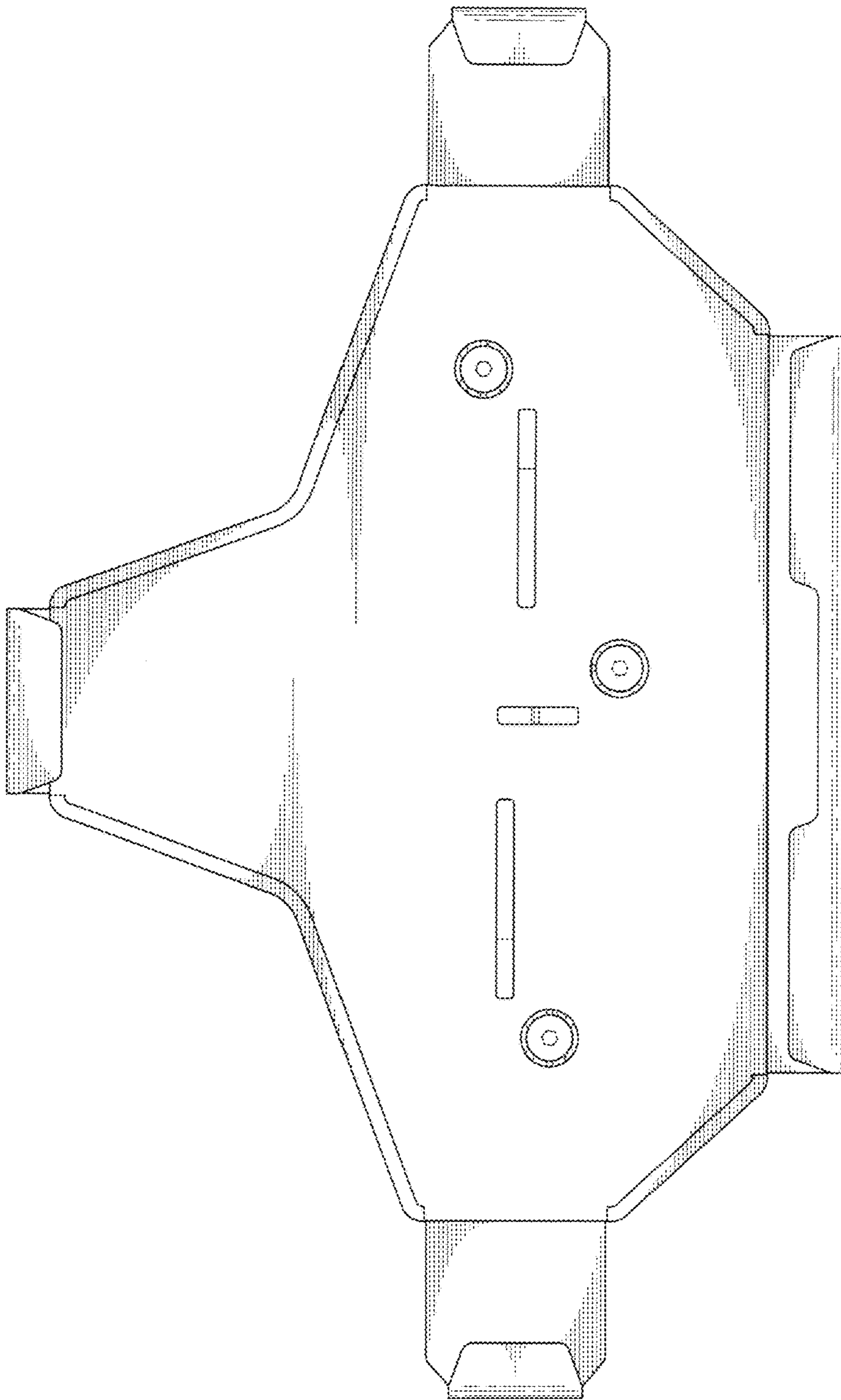


Fig. 3.

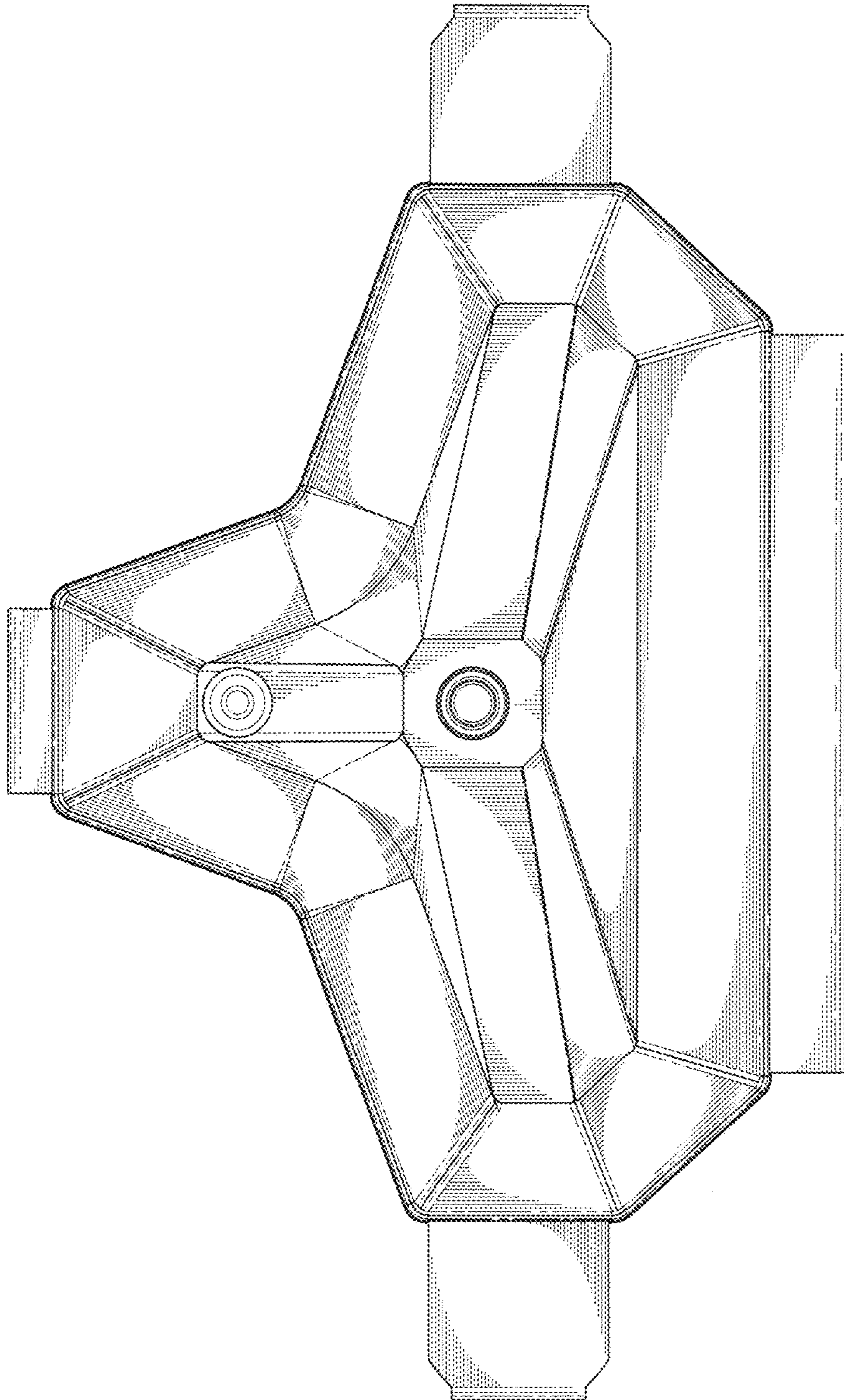


Fig. 4.

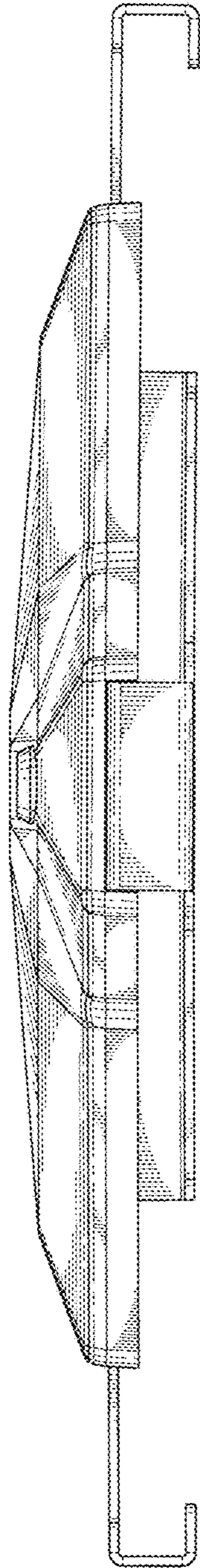


Fig. 5.

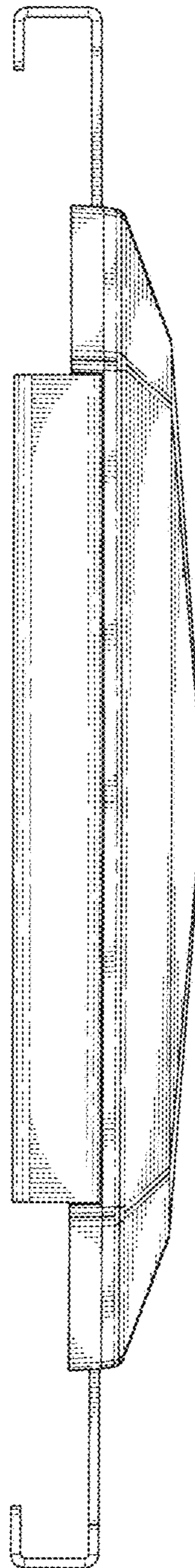


Fig. 6.

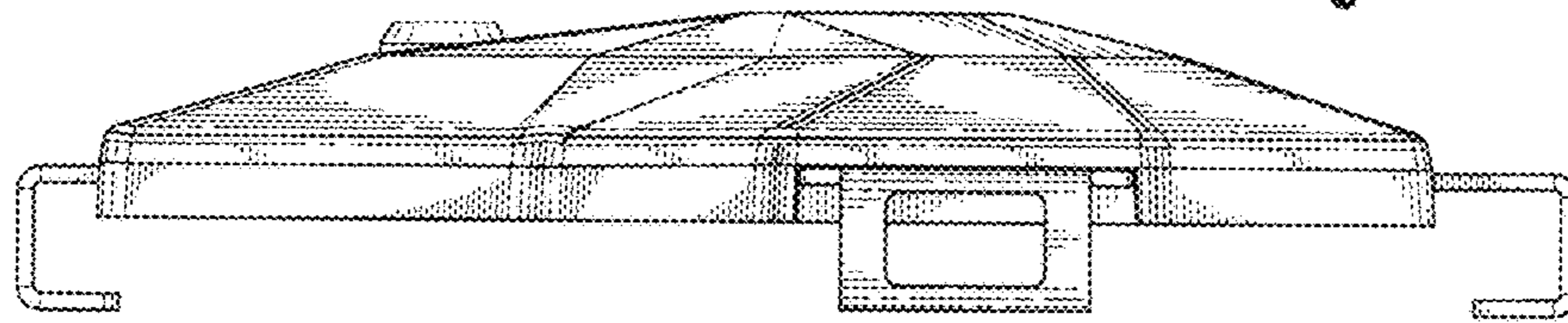


Fig. 8.

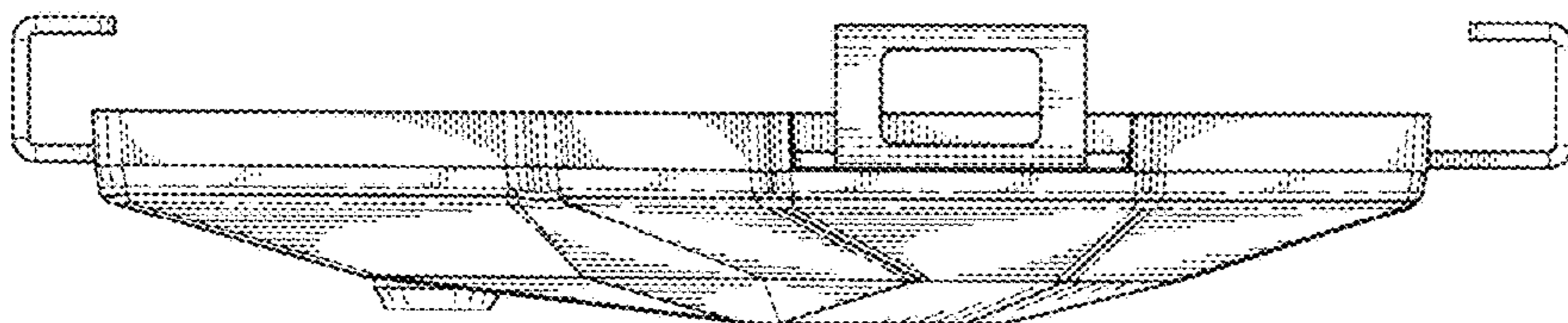


Fig. 7.