



US00D834577S

(12) **United States Design Patent**  
**Odgers et al.**

(10) **Patent No.:** **US D834,577 S**

(45) **Date of Patent:** **\*\* Nov. 27, 2018**

(54) **COMPUTER MOUSE**

(71) Applicant: **Swiftpoint Limited**, Christchurch (NZ)

(72) Inventors: **Grant Odgers**, Little River (NZ); **Blair Mackle**, Christchurch (NZ); **Ian Palmer**, Christchurch (NZ); **Rodney Mackrell**, Christchurch (NZ)

(73) Assignee: **SWIFTPPOINT LIMITED**, Christchurch (NZ)

(\*\*) Term: **15 Years**

(21) Appl. No.: **29/588,795**

(22) Filed: **Dec. 22, 2016**

(30) **Foreign Application Priority Data**

Jun. 23, 2016 (NZ) ..... 421776  
Aug. 18, 2016 (NZ) ..... 421970

(51) **LOC (11) Cl.** ..... **14-02**

(52) **U.S. Cl.**  
USPC ..... **D14/409**

(58) **Field of Classification Search**  
USPC ..... D14/402-411, 356, 388, 389, 383-385,  
D14/417, 426; 345/156-167; 463/36-38;  
358/471, 473; 273/148 B  
CPC ..... G06F 3/03543; G06F 2203/0333; G06F  
3/039; G06F 3/038; G06F 2203/0384  
See application file for complete search history.

(56) **References Cited**

**U.S. PATENT DOCUMENTS**

D627,355 S \* 11/2010 Blanchard ..... D14/402  
D680,113 S \* 4/2013 Li ..... D14/409

D688,245 S \* 8/2013 Guerra ..... D14/409  
D688,664 S \* 8/2013 Guerra ..... D14/409  
D712,903 S \* 9/2014 Lai ..... D14/409  
D729,804 S \* 5/2015 Jost ..... D14/410  
D744,485 S \* 12/2015 Young ..... D14/409  
D766,903 S \* 9/2016 Young ..... D14/402  
D768,633 S \* 10/2016 Helwig ..... D14/402  
D794,638 S \* 8/2017 Zheng ..... D14/409  
2009/0046064 A1 \* 2/2009 Manalo ..... G06F 3/03543  
345/164

\* cited by examiner

*Primary Examiner* — Austin Murphy

(74) *Attorney, Agent, or Firm* — Stephen M. De Klerk

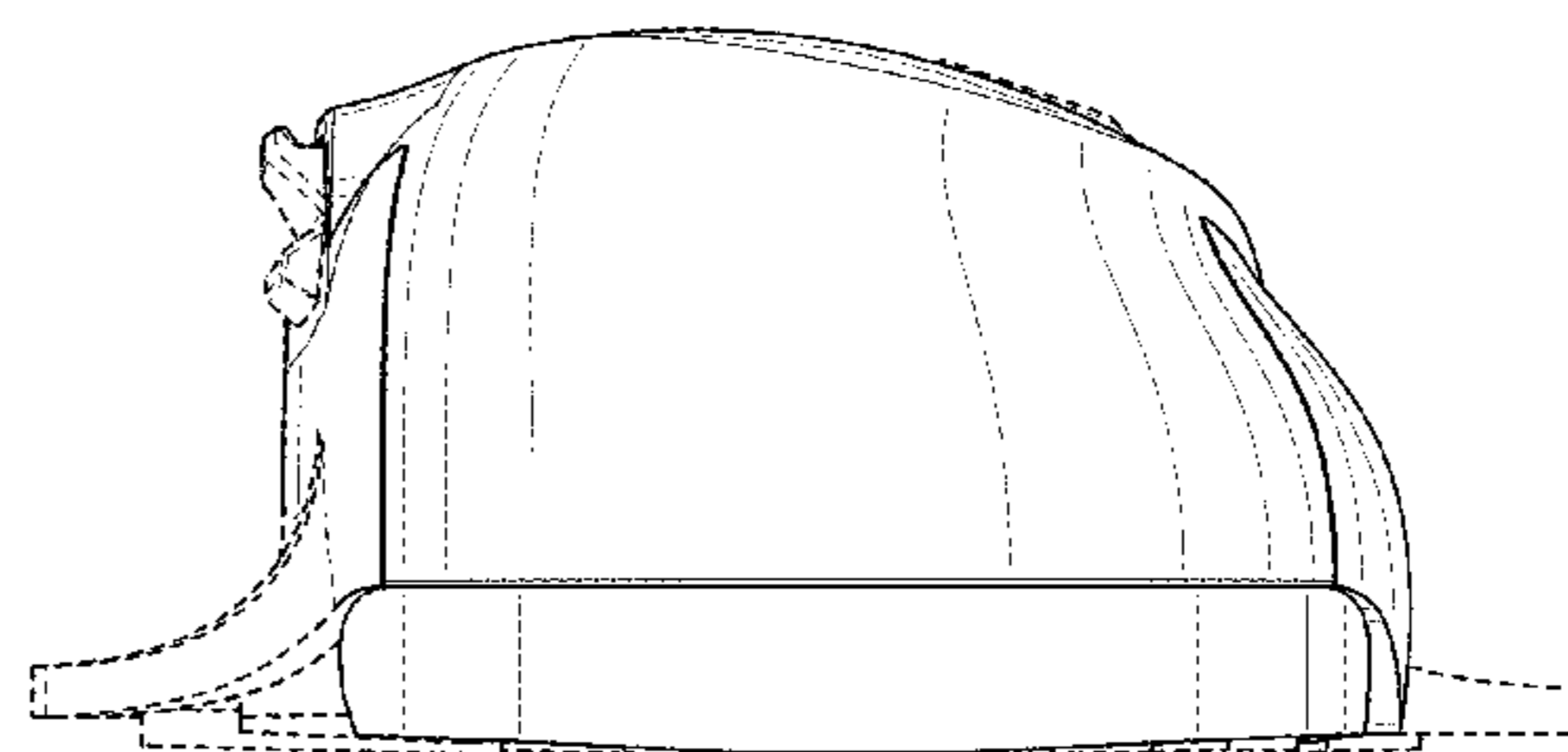
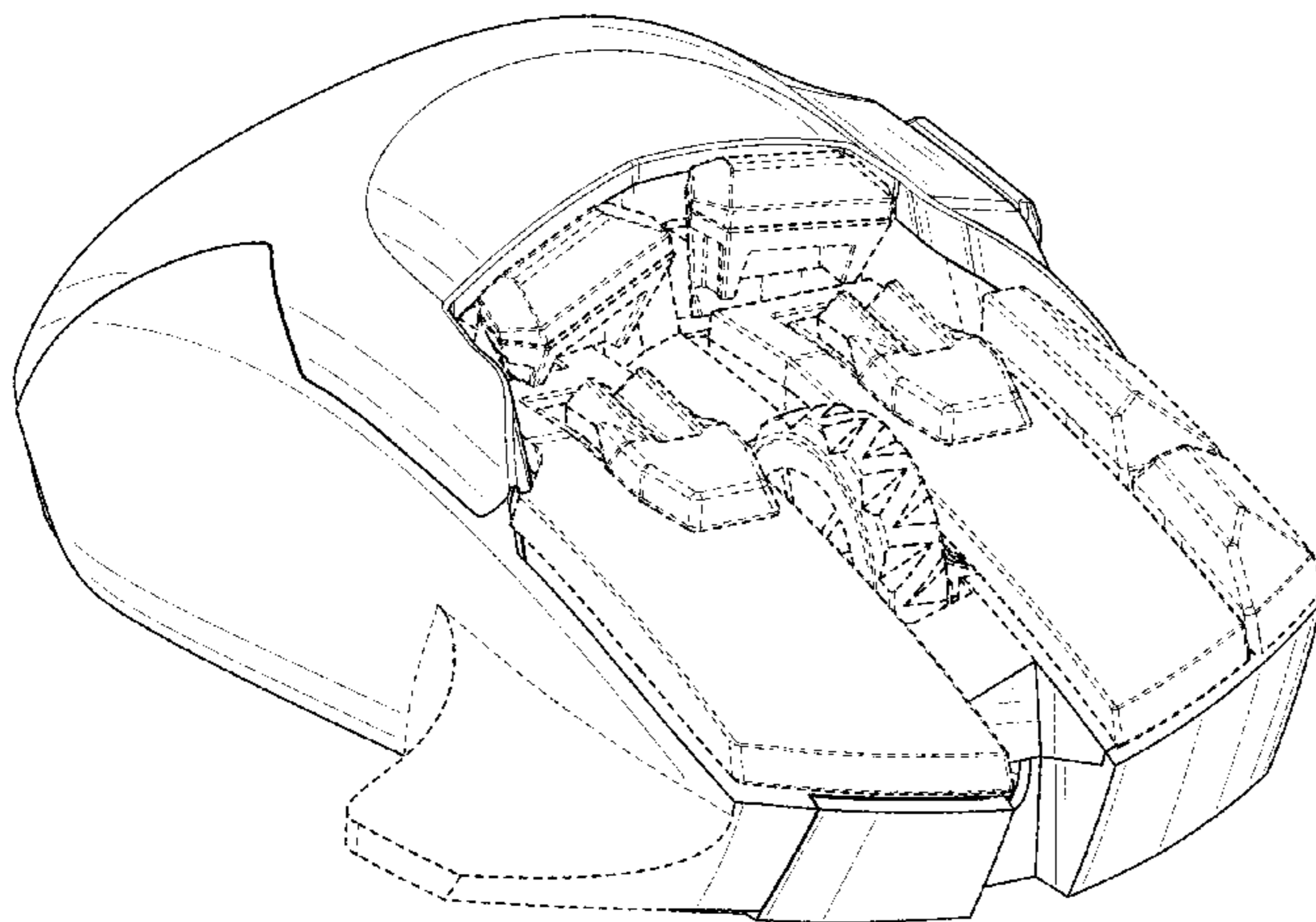
(57) **CLAIM**

The design for a computer mouse, as shown and described.

**DESCRIPTION**

FIG. 1 is an isometric top view of our design with a set of features in dotted lines to indicate non-essential features; FIG. 2 is an isometric bottom view of our design with a set of features in dotted lines to indicate non-essential features; FIG. 3 is a front end view of our design with a set of features in dotted lines to indicate non-essential features; FIG. 4 is back end view of our design with a set of features in dotted lines to indicate non-essential features; FIG. 5 is left side view of our design with a set of features in dotted lines to indicate non-essential features; FIG. 6 is right side view of our design with a set of features in dotted lines to indicate non-essential features; FIG. 7 is top view of our design with a set of features in dotted lines to indicate non-essential features; and, FIG. 8 is bottom view of our design with a set of features in dotted lines to indicate non-essential features.

**1 Claim, 7 Drawing Sheets**



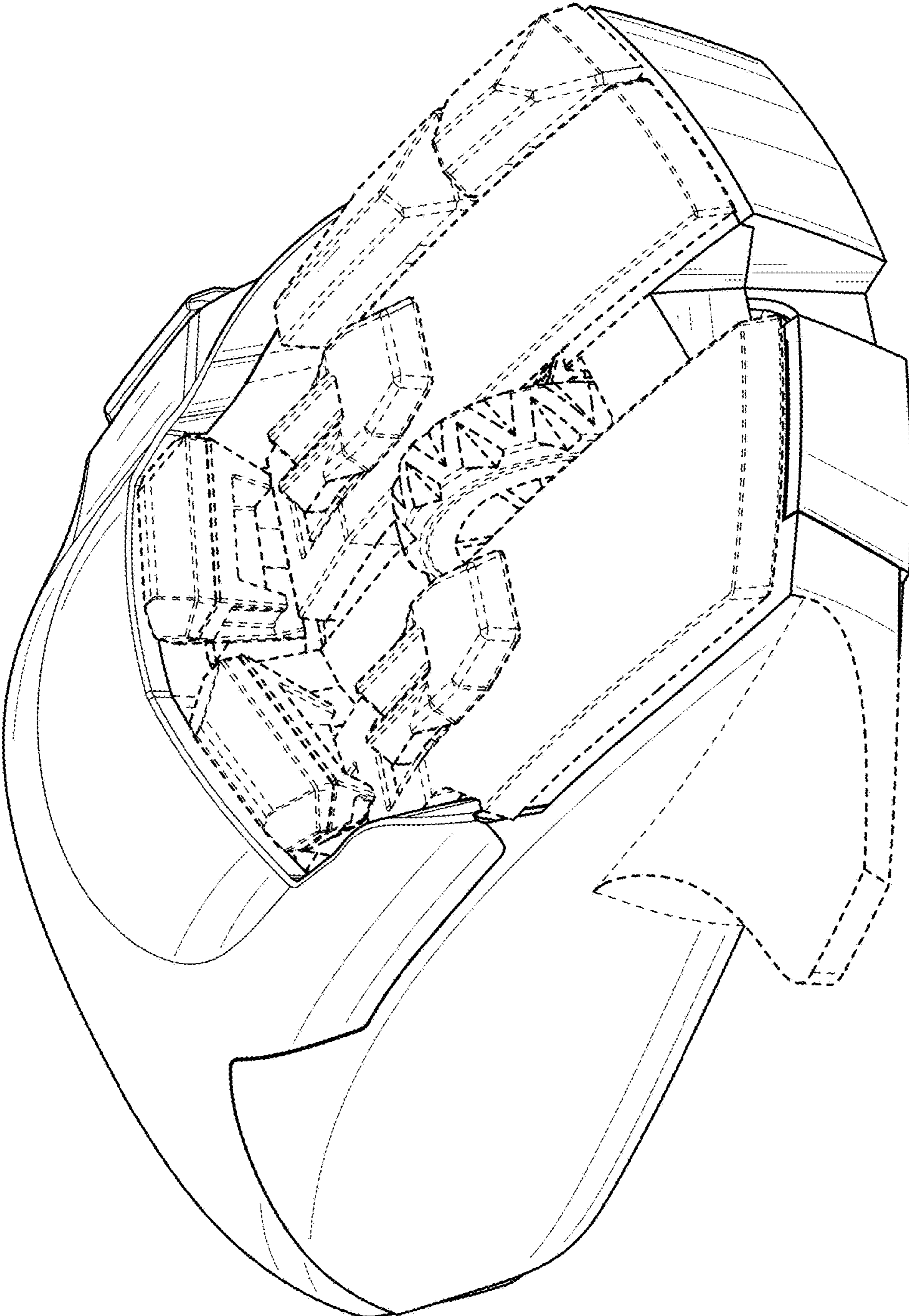


FIG. 1

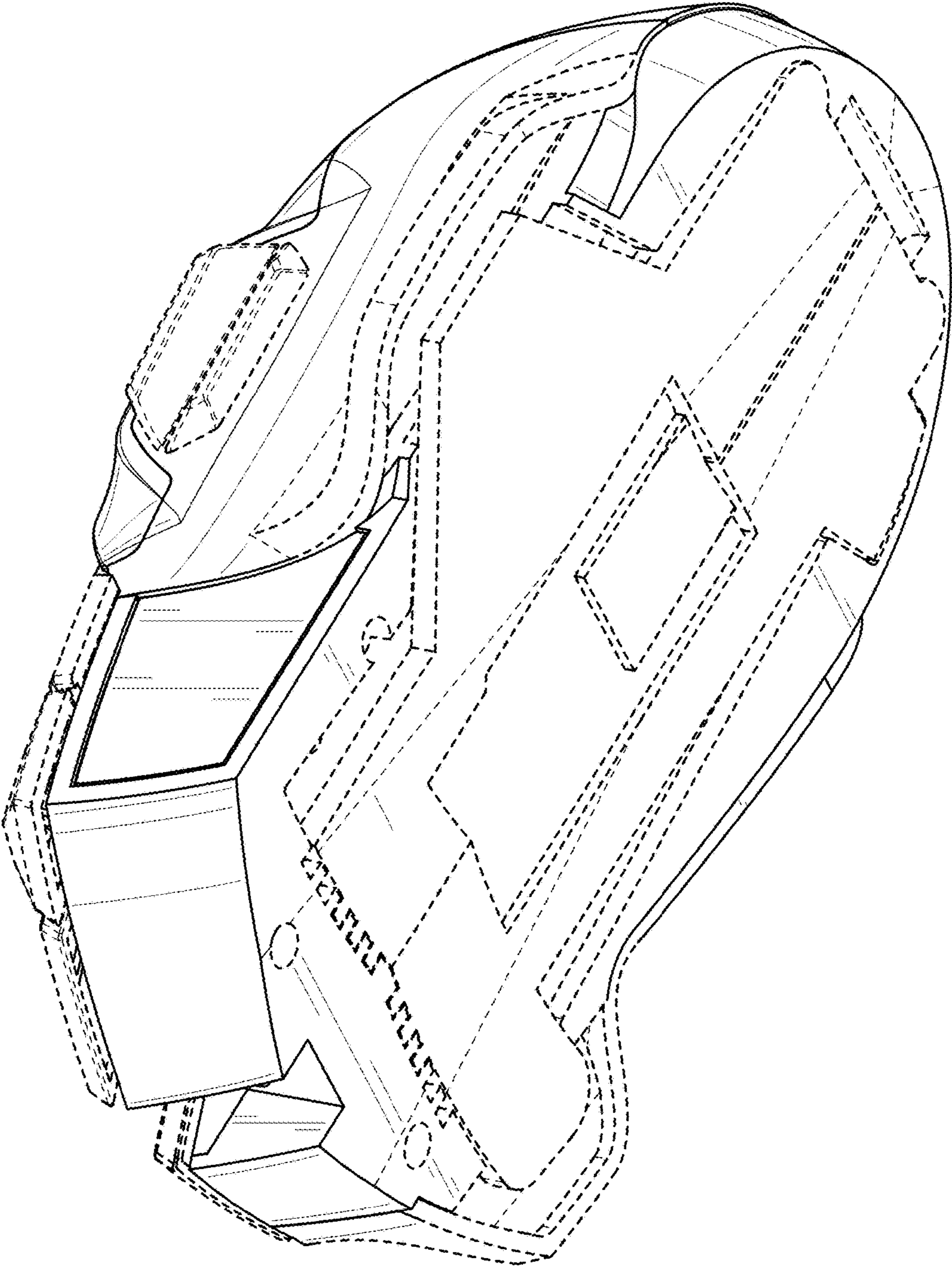


FIG. 2

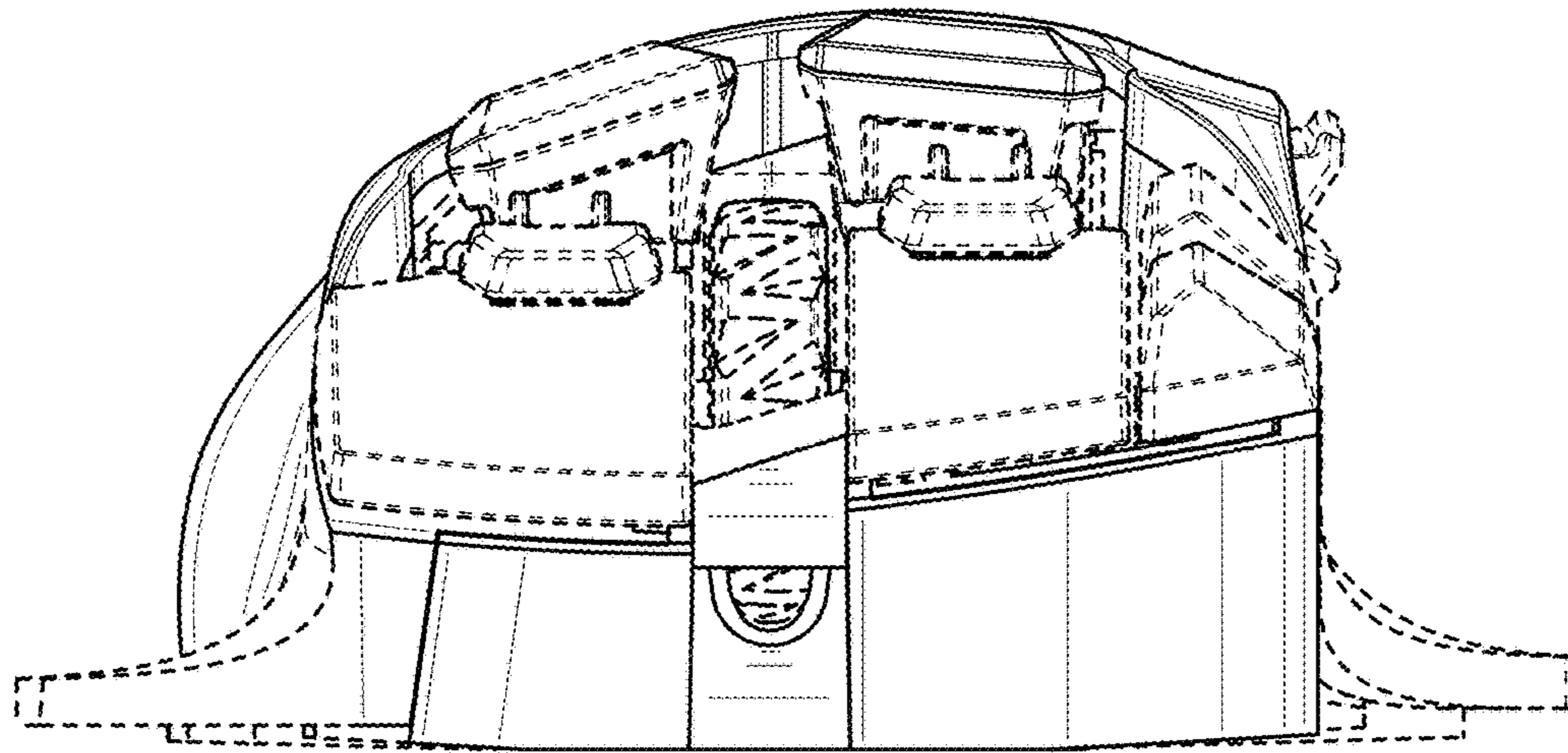


FIG. 3

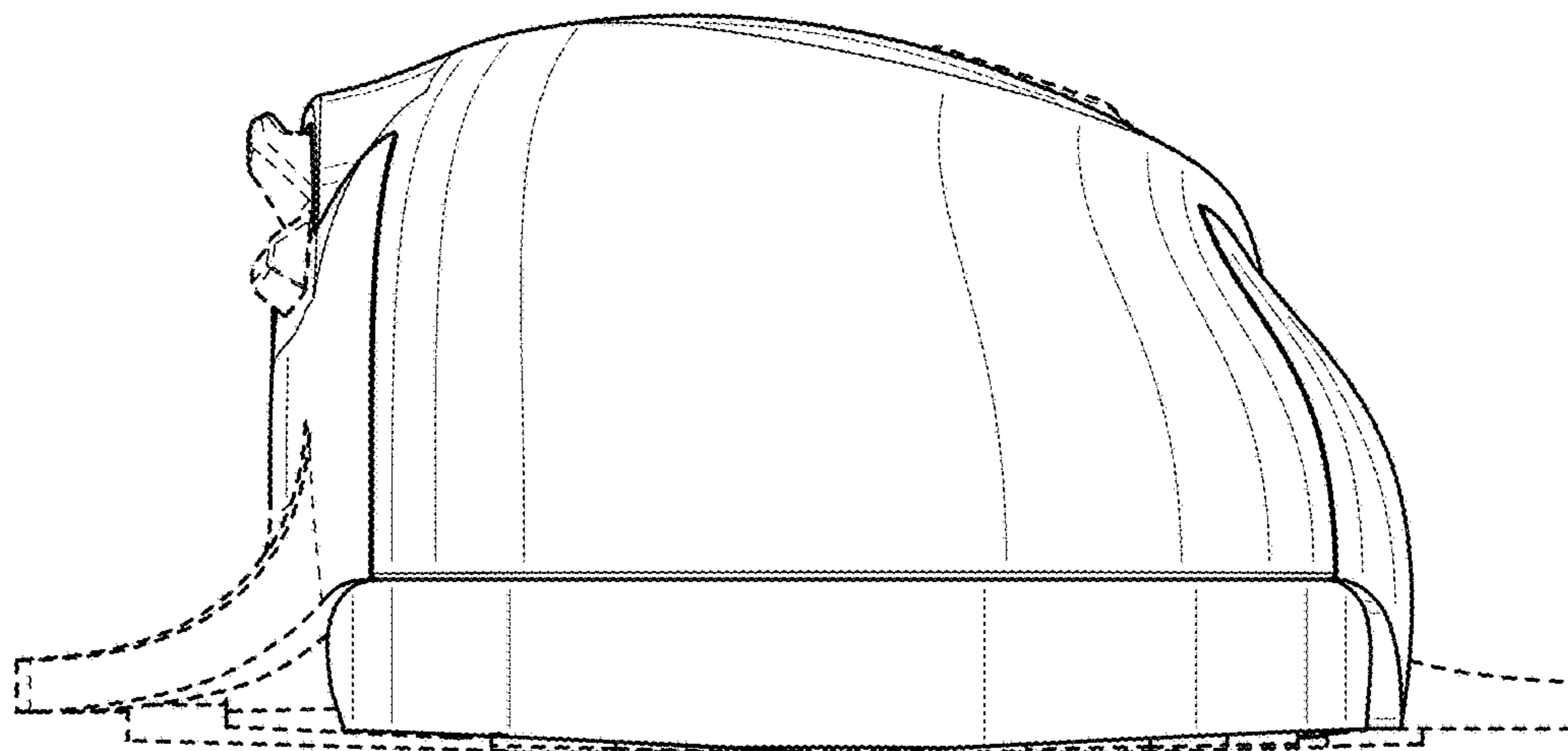


FIG. 4

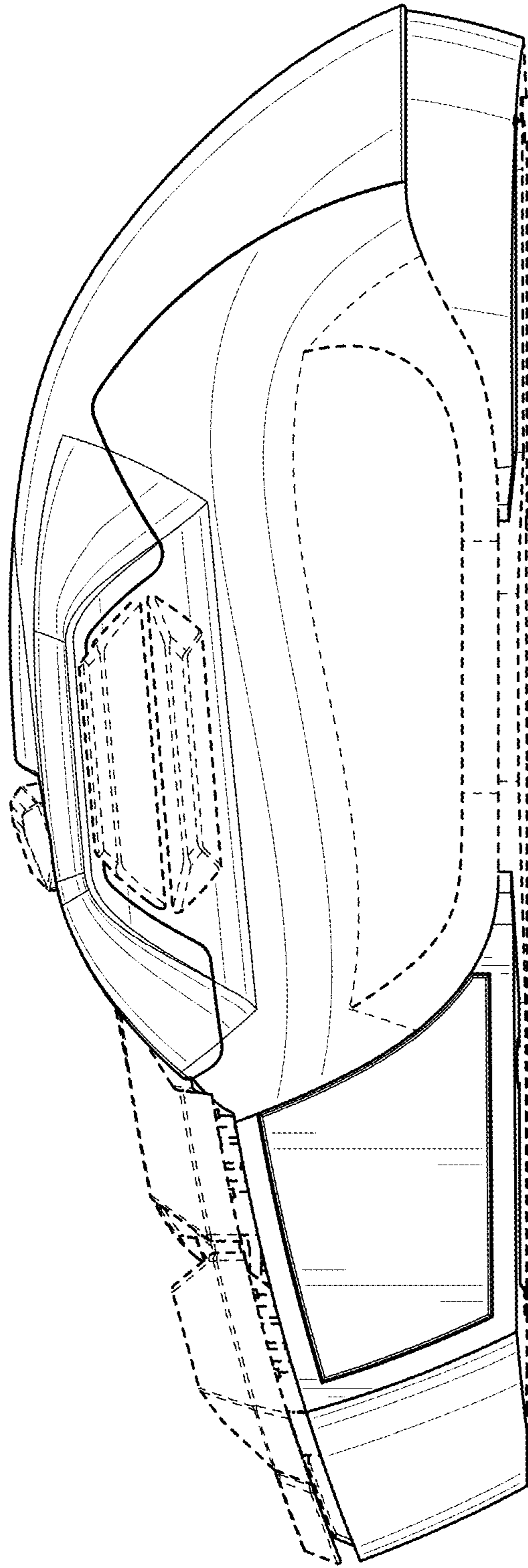


FIG. 5

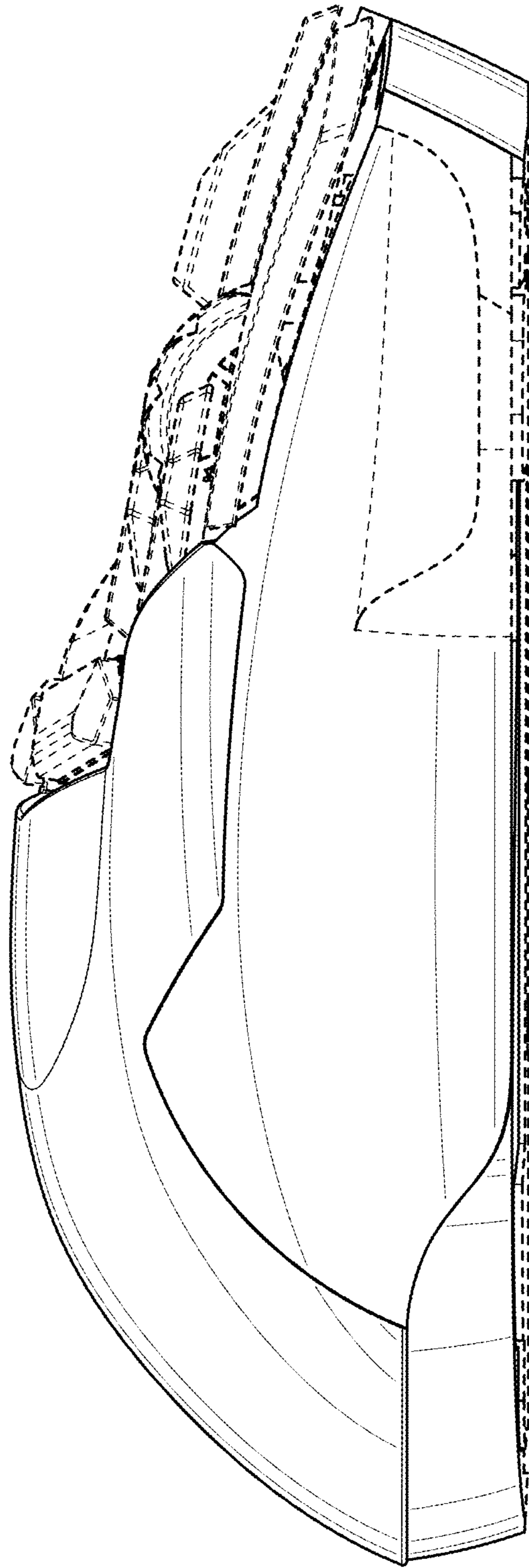


FIG. 6

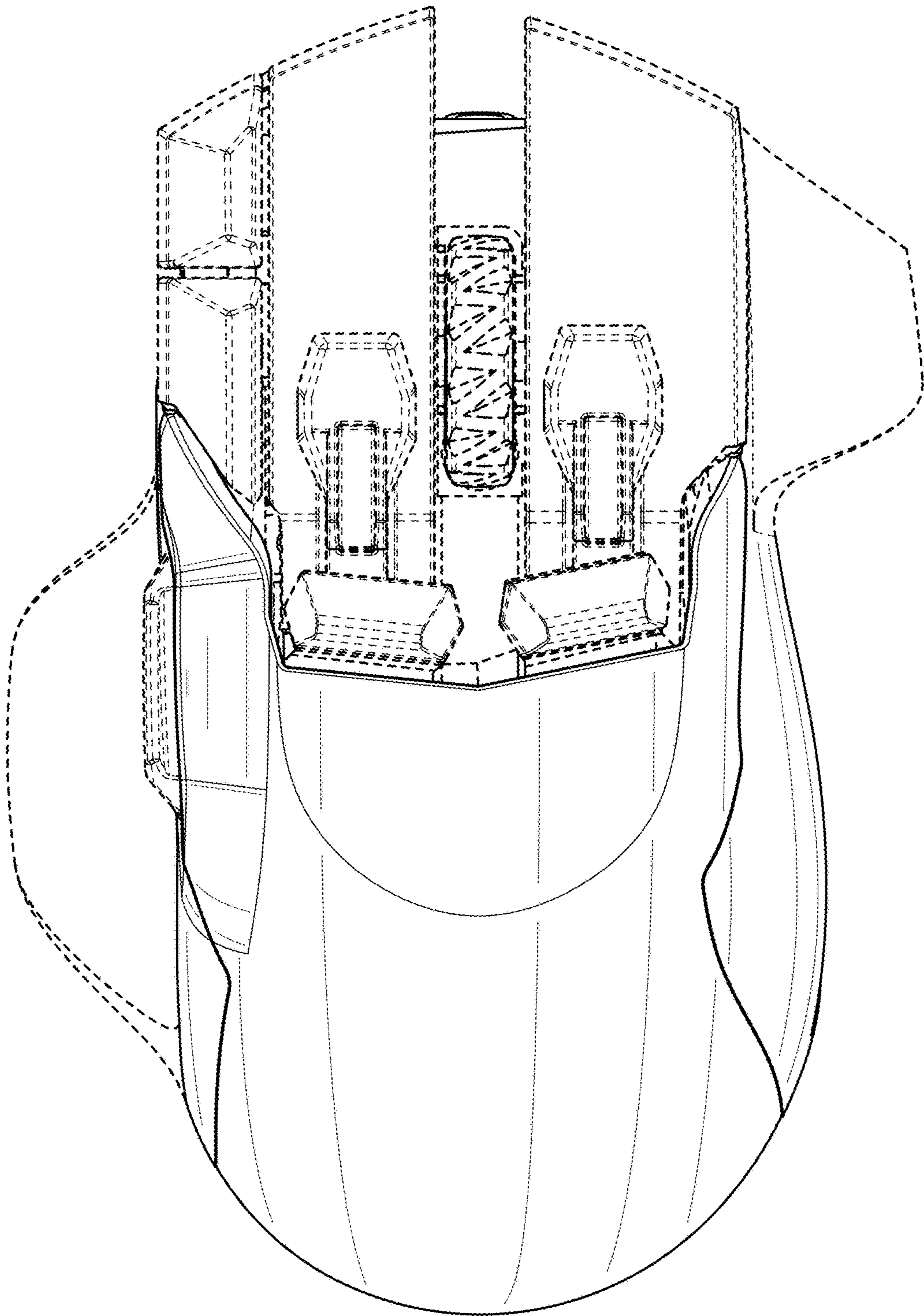


FIG. 7

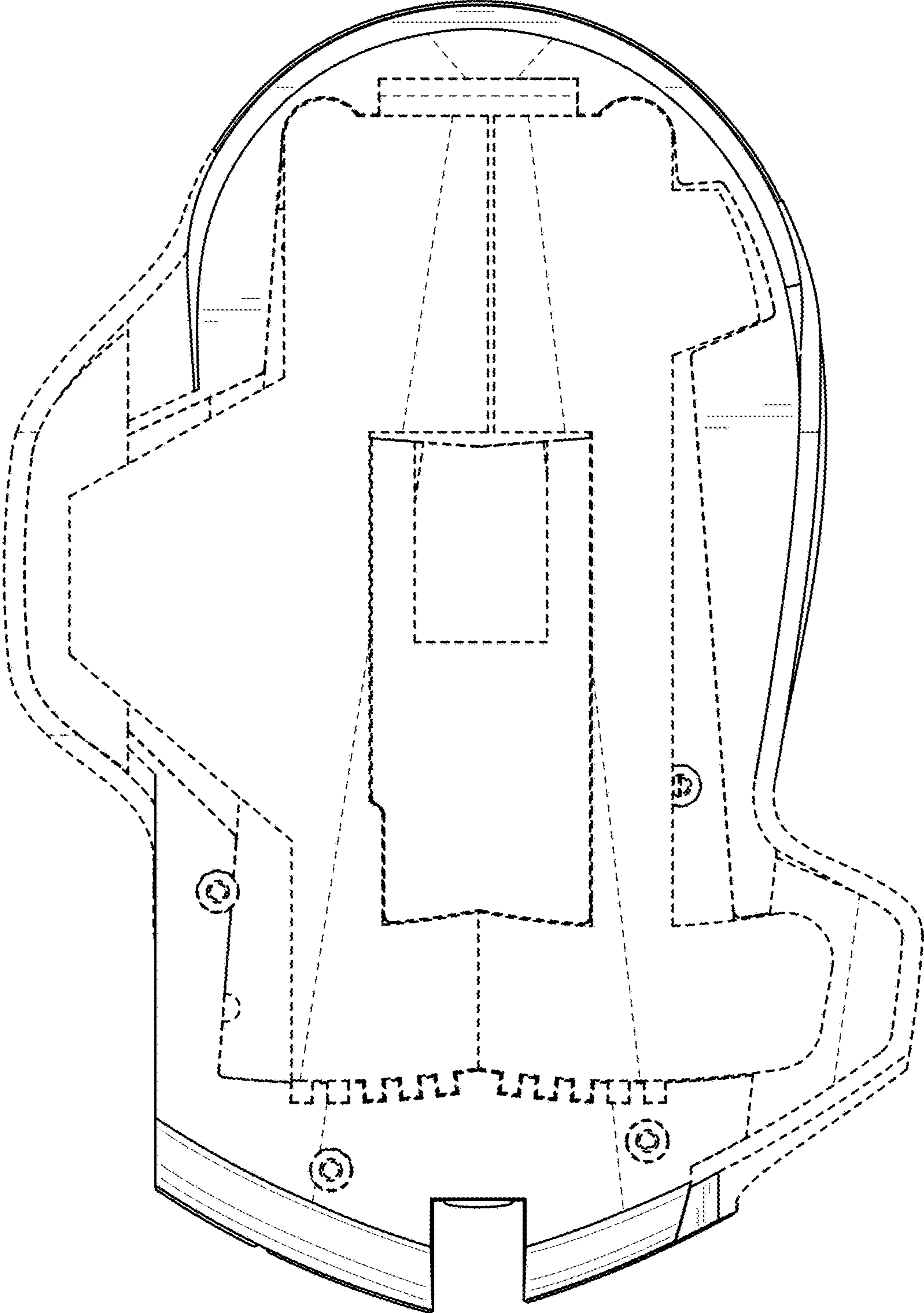


FIG. 8