

US00D834575S

(12) **United States Design Patent** (10) **Patent No.:** **US D834,575 S**
Su et al. (45) **Date of Patent:** **** Nov. 27, 2018**

(54) **DISPLAY**
(71) Applicant: **DARWIN PRECISIONS CORPORATION**, Taichung (TW)
(72) Inventors: **Yu-Tsung Su**, Hsinchu County (TW); **Wen-Yi Lin**, Taichung (TW)
(73) Assignee: **Darwin Precisions Corporation**, Taichung (TW)
(**) Term: **15 Years**
(21) Appl. No.: **29/616,473**
(22) Filed: **Sep. 6, 2017**

(30) **Foreign Application Priority Data**
Mar. 7, 2017 (CN) 2017 3 0062720
(51) **LOC (11) Cl.** **14-02**
(52) **U.S. Cl.**
USPC **D14/374**; D20/10
(58) **Field of Classification Search**
USPC D20/10, 11, 22-25, 27-29, 31, 39-43, D20/99; D19/113, 114; D6/300, 308; D14/126-129, 239, 371-375
CPC .. G09F 21/026; G09F 2021/023; G09F 21/02; G09F 2003/0208; G09F 2003/0264; G09F 7/00; G09F 3/206; G09F 13/00; G09F 2007/1807; G09F 13/04; G09F 2013/0427; G09F 2013/0495; G09F 1/00; G09F 1/02; G09F 2003/023; G09F 2003/0261; G09F 15/0025; G09F 15/0062; G09F 15/0068; G09D 3/00; F16M 11/02; F16M 11/18; F16M 11/045; F16M 11/04
See application file for complete search history.

(56) **References Cited**
U.S. PATENT DOCUMENTS
2,409,814 A * 10/1946 Vargish A47G 1/141 40/649
4,165,572 A * 8/1979 Sussman G09F 7/002 40/661

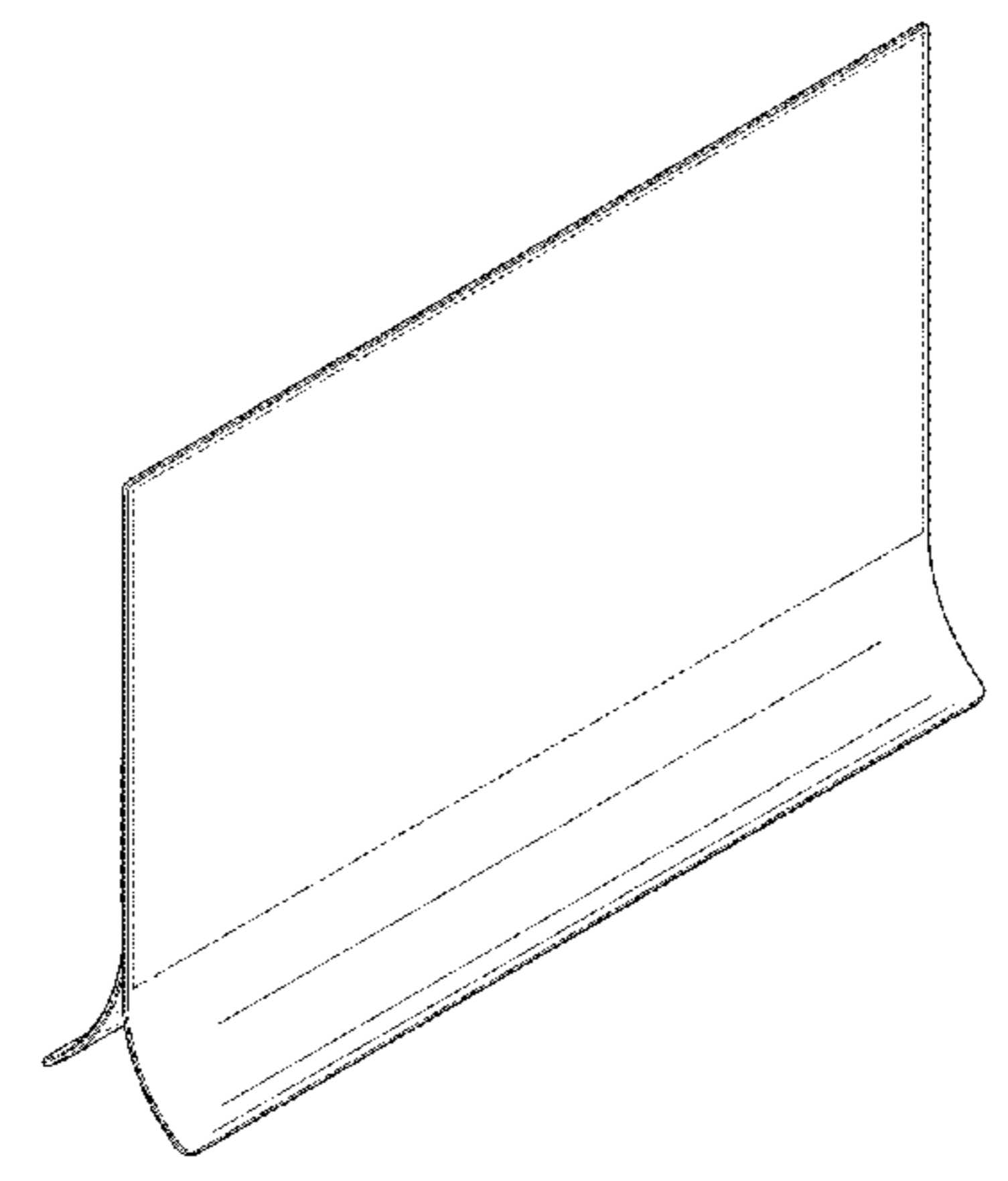
5,979,097 A * 11/1999 Moore G09F 1/12 40/124.03
6,430,857 B1 * 8/2002 Nagel G09F 3/20 40/642.02
D494,631 S * 8/2004 Douziech D20/42
D595,782 S * 7/2009 Whitfield D20/43
D627,398 S * 11/2010 Horn D20/39
D640,749 S * 6/2011 Darress D20/22
D646,509 S * 10/2011 Luebcke D19/90
D649,195 S * 11/2011 Yi D20/15
D671,597 S * 11/2012 Sim D20/43
D678,420 S * 3/2013 Keyvanloo D20/43
D697,555 S * 1/2014 Furber D20/22
D698,393 S * 1/2014 Marukos D20/43
D705,359 S * 5/2014 Kopco D20/43
(Continued)

Primary Examiner — Mary Ann Calabrese
Assistant Examiner — Sloan Rozin
(74) *Attorney, Agent, or Firm* — Schmeiser, Olsen & Watts, LLP

(57) **CLAIM**
We claim the ornamental design for a display, as shown and described.

DESCRIPTION
FIG. 1 is a front perspective view of a display showing our new design;
FIG. 2 is a rear perspective view thereof;
FIG. 3 is a front elevational view thereof;
FIG. 4 is a rear elevational view thereof;
FIG. 5 is a left side elevational view thereof;
FIG. 6 is a right side elevational view thereof;
FIG. 7 is a top plan view thereof; and,
FIG. 8 is a bottom plan view thereof.
The broken lines show portions of the article that form no part of the claimed design.

1 Claim, 8 Drawing Sheets



(56)

References Cited

U.S. PATENT DOCUMENTS

9,038,300 B2 * 5/2015 Theisen G09F 3/204
40/658
D744,040 S * 11/2015 Schloss G09F 13/18
D20/10
D777,259 S * 1/2017 Ricci D20/42
D778,366 S * 2/2017 Kott D20/43
D788,227 S * 5/2017 Watson D20/43
D806,797 S * 1/2018 Irek D20/10
2003/0182836 A1 * 10/2003 Rodrigues G09F 3/20
40/661
2004/0035038 A1 * 2/2004 Pomerantz G09F 3/204
40/661
2004/0074127 A1 * 4/2004 Schneider G09F 1/12
40/661

* cited by examiner

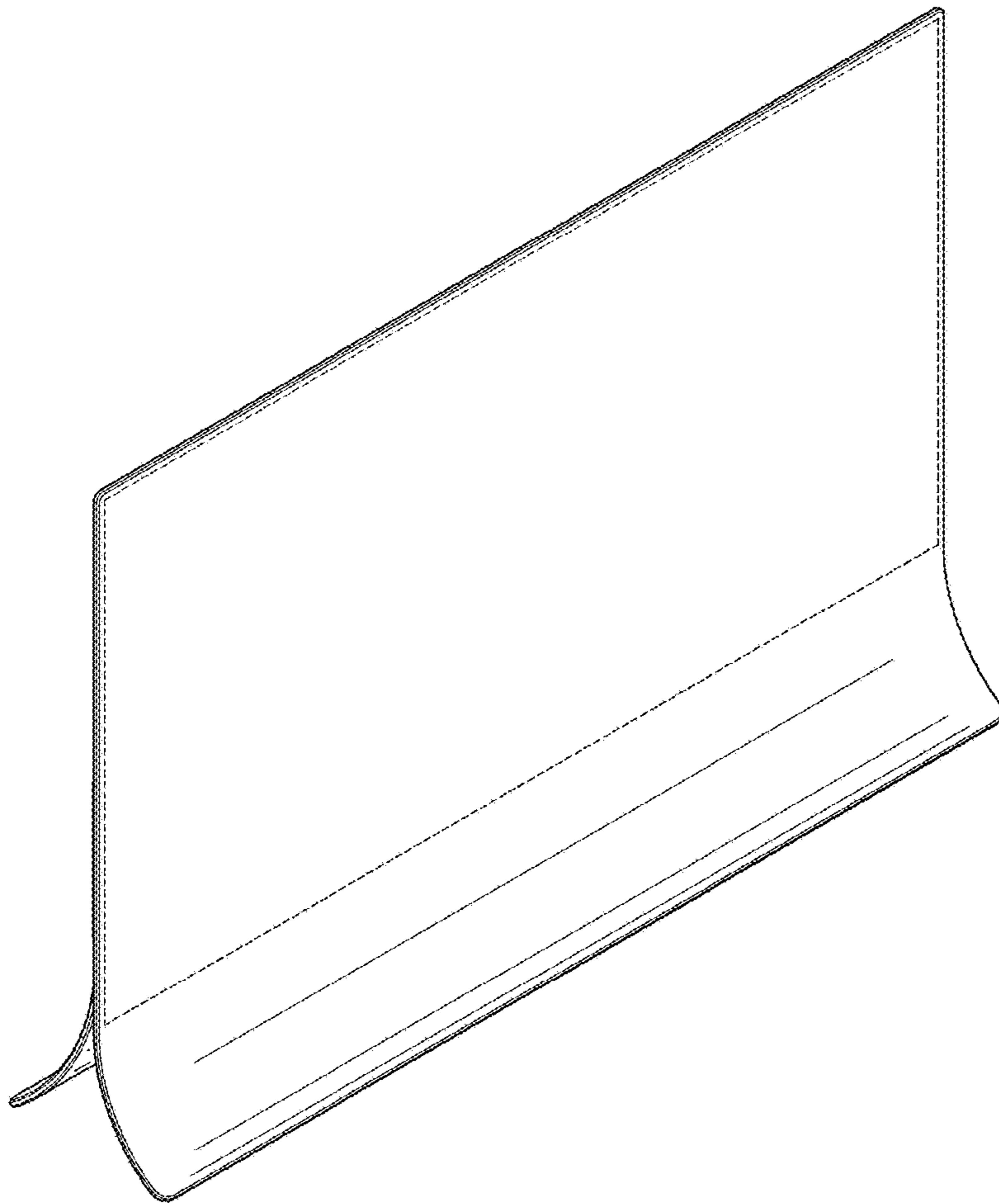


FIG. 1

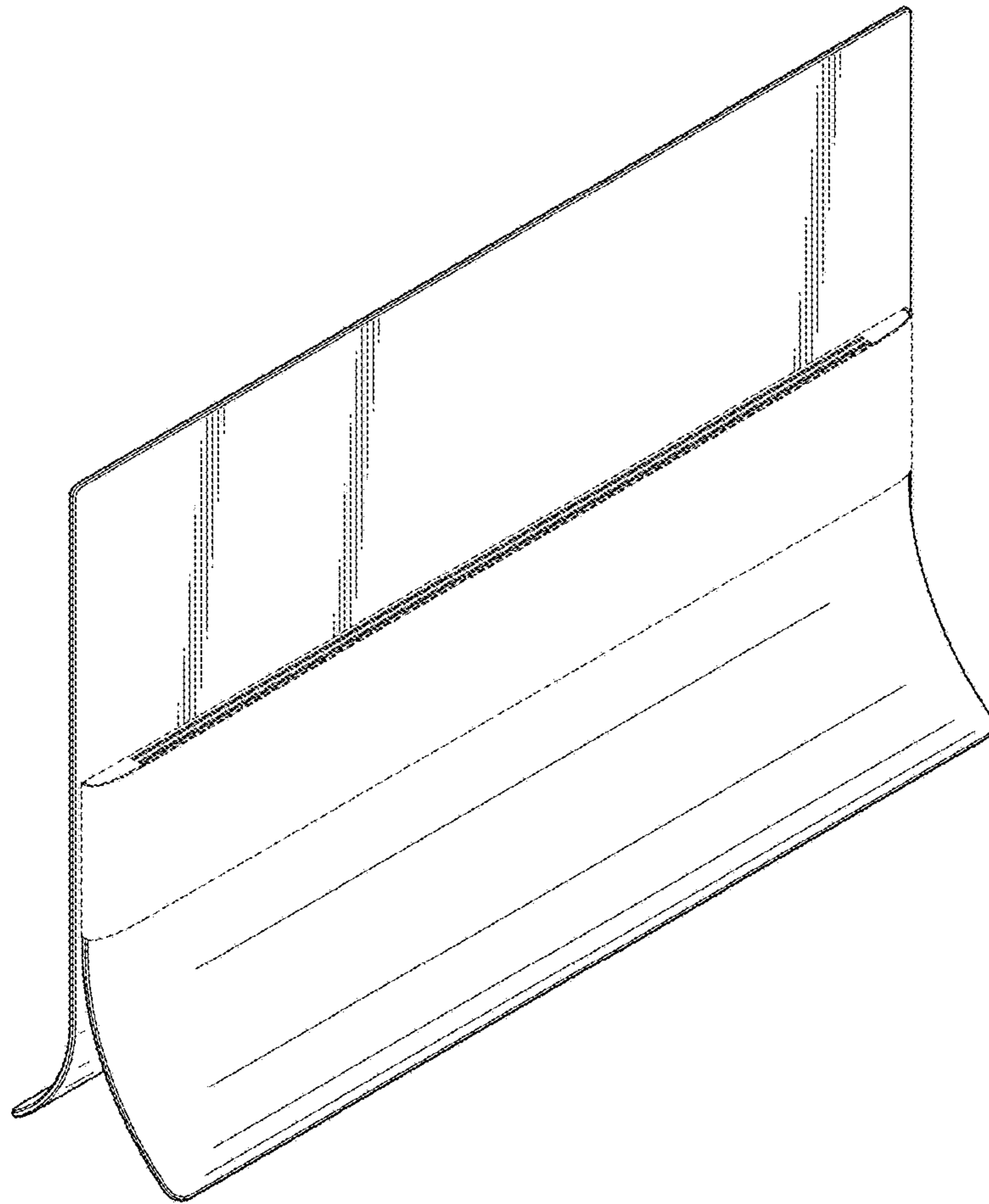


FIG.2

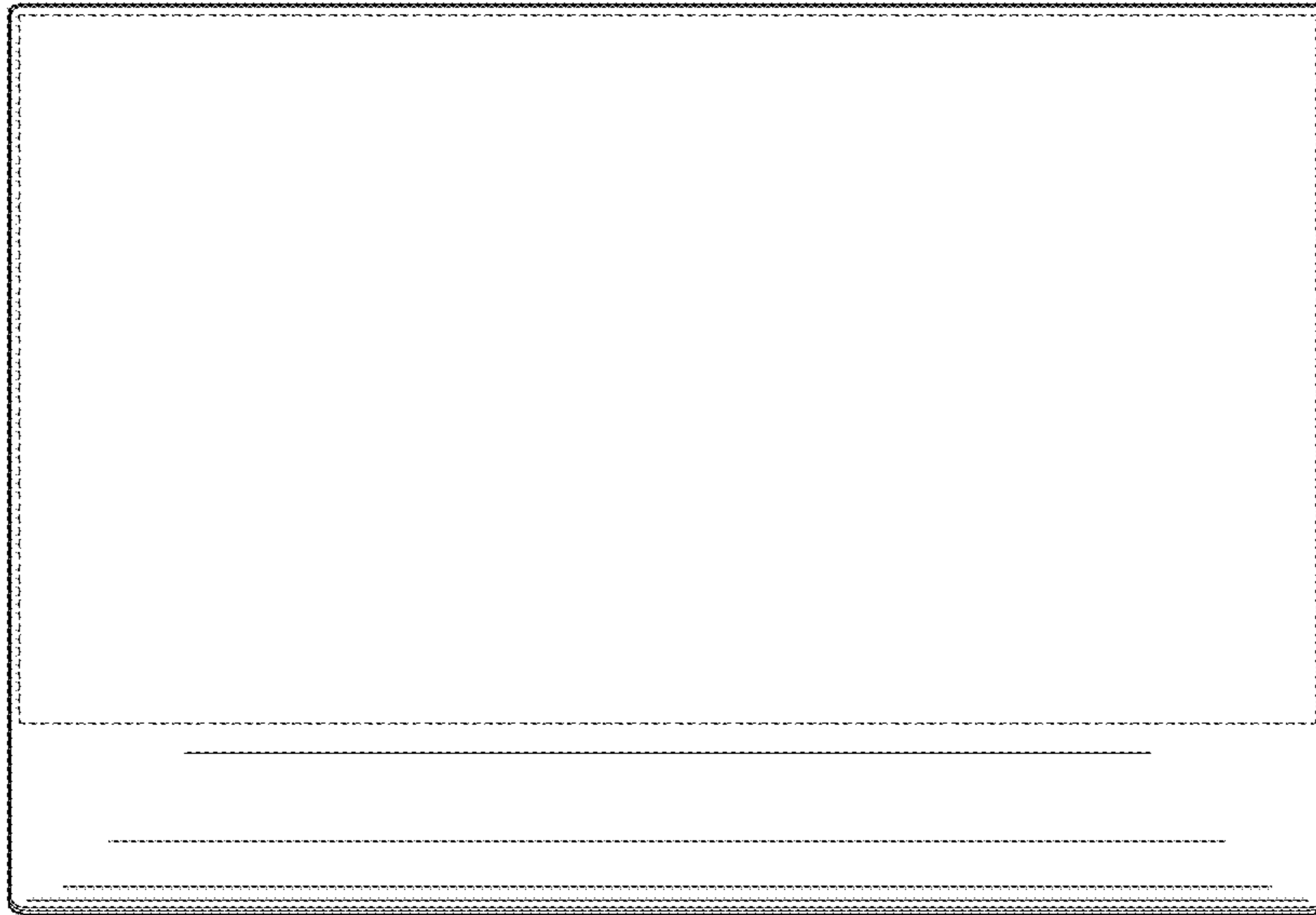


FIG.3

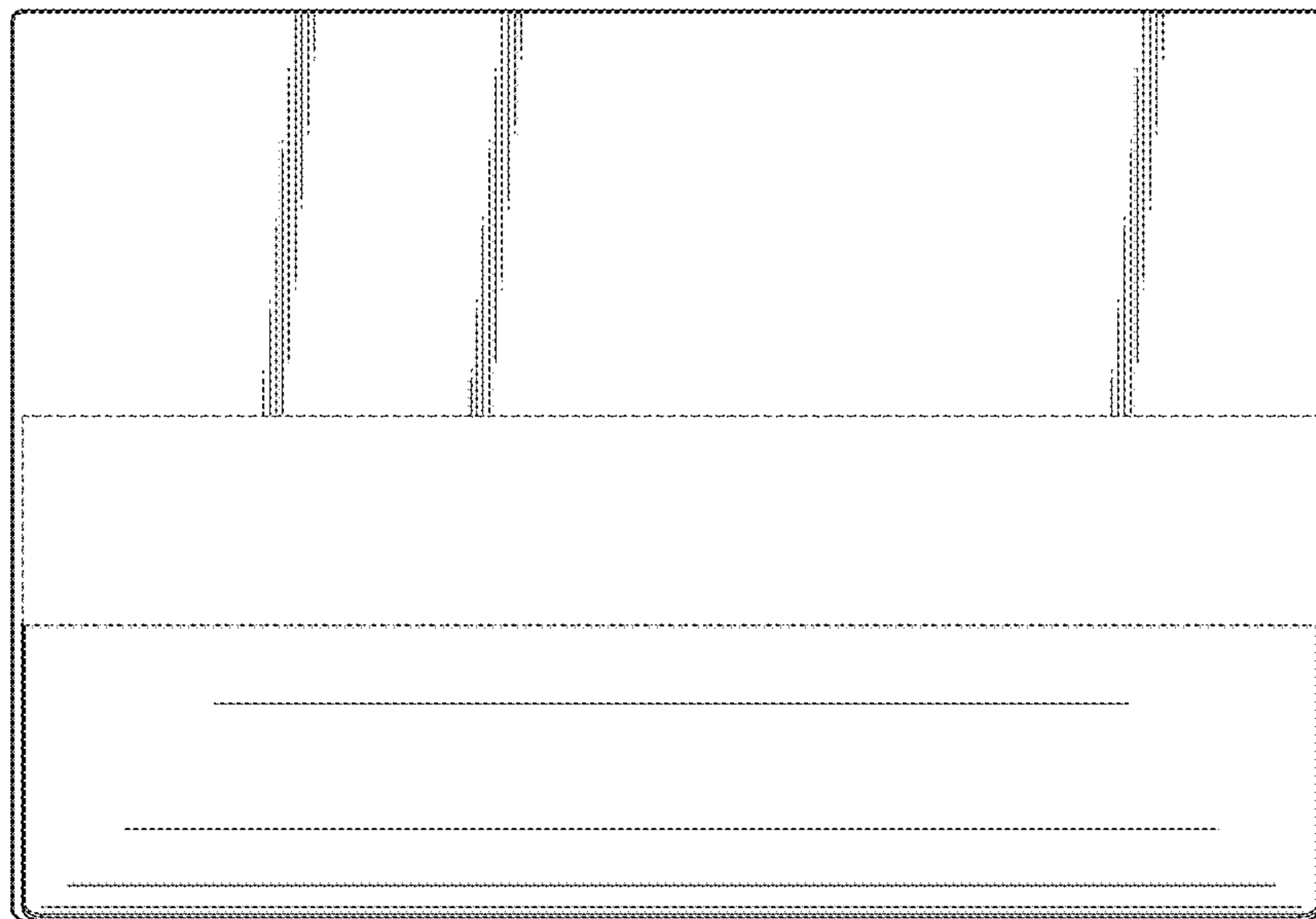


FIG.4

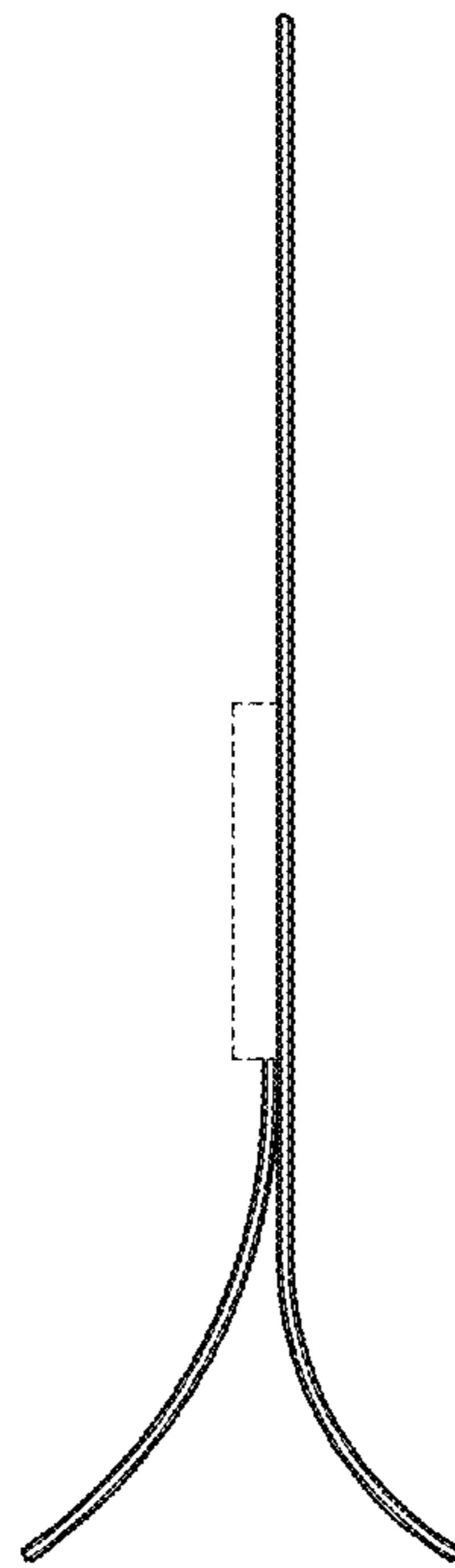


FIG.5

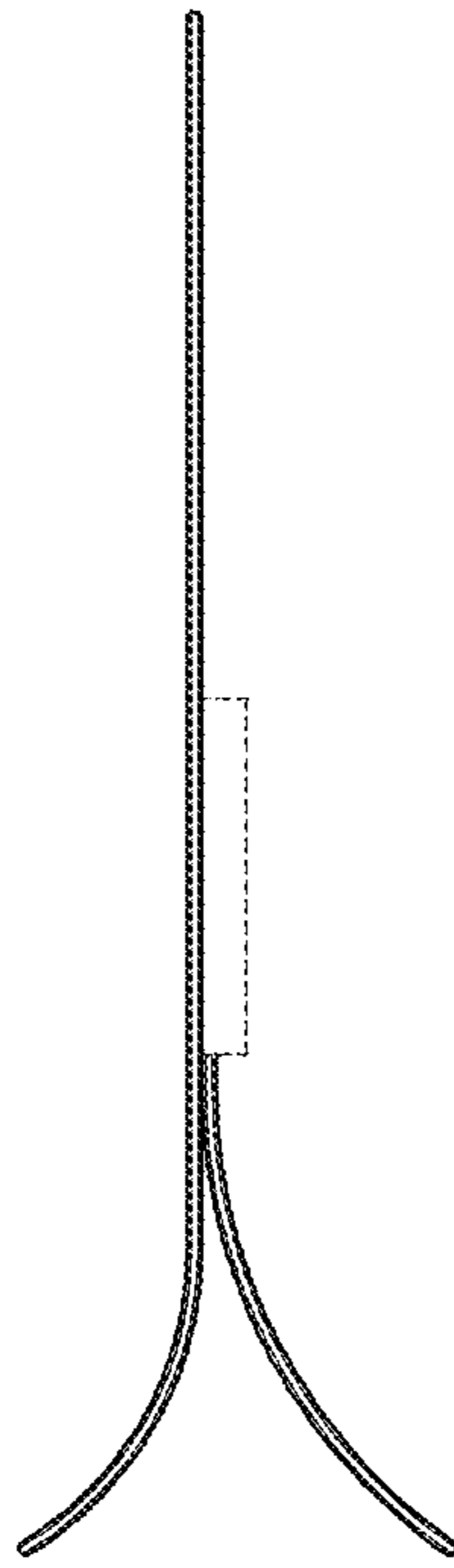


FIG.6

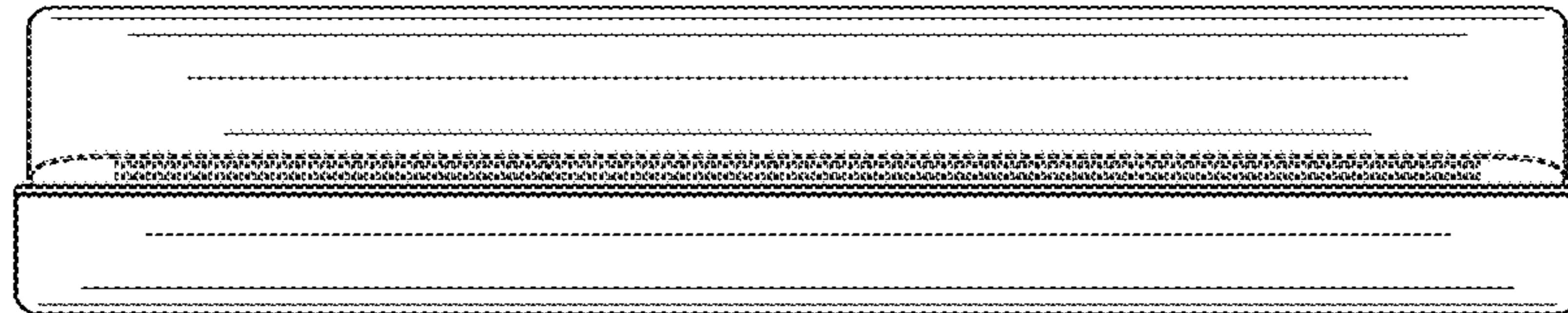


FIG. 7

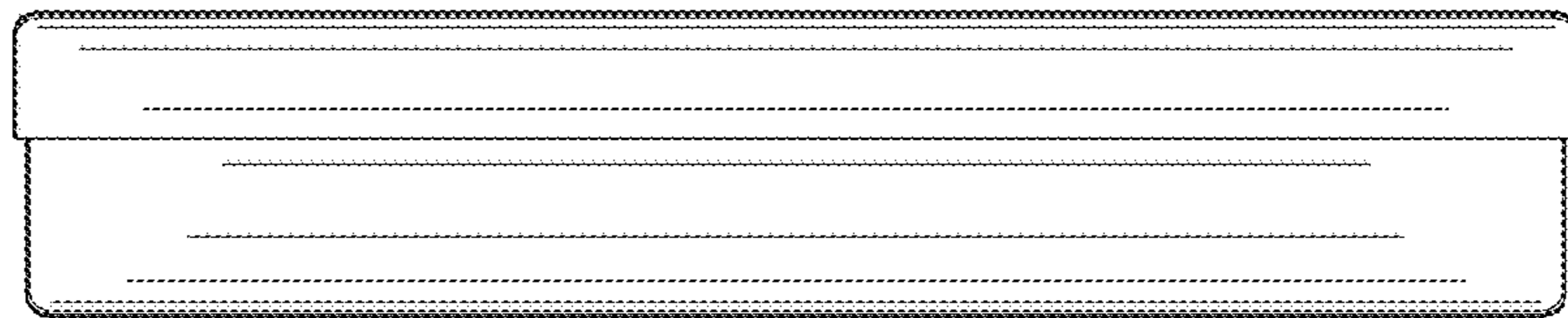


FIG.8