

US00D834573S

(12) **United States Design Patent** (10) **Patent No.:** **US D834,573 S**  
**Pell et al.** (45) **Date of Patent:** **\*\* Nov. 27, 2018**

(54) **DISPLAY DEVICE**

(71) Applicant: **Facebook, Inc.**, Menlo Park, CA (US)

(72) Inventors: **Oliver Pell**, London (GB); **Peter John Richard Gilbert Bracewell**, Isleworth (GB); **Chuankeat Kho**, San Jose, CA (US); **Andrea Locatelli**, San Francisco, CA (US)

(73) Assignee: **Facebook, Inc.**, Menlo Park, CA (US)

(\*\*) Term: **15 Years**

(21) Appl. No.: **29/618,581**

(22) Filed: **Sep. 21, 2017**

(51) **LOC (11) Cl.** ..... **14-02**

(52) **U.S. Cl.**  
USPC ..... **D14/336**

(58) **Field of Classification Search**  
USPC ..... D14/341-347, 125-134, 137, 138 R, D14/138 AA, 138 AB, 138 C, 138 G, 147, D14/203.1, 203.3, 203.4, 203.7, 218, 247, D14/248, 332, 336, 371, 374-377, 388, D14/389, 315-318, 420, 426, 429, 440, D14/448, 450, 489, 492, 496; D6/300-310; D10/50, 65, 98, 104.1; D16/241; D18/6; D20/10, 19, 39; D21/329, 330  
CPC . A63H 33/3016; G06F 1/1613; G06F 1/1641; G06F 1/1643; G06F 1/1647; G06F 3/04883; G06F 3/0486; G06F 3/04847; G06F 3/04845; G06F 3/0484; G06F 3/04817; H05K 5/0004; H05K 5/0017; H05K 5/02; H05K 5/0217; H04M 1/0279; H04M 1/0281; H04M 1/0283; H04N 13/0459

See application file for complete search history.

(56) **References Cited**

U.S. PATENT DOCUMENTS

D140,181 S *	1/1945	McGonigal .....	D19/34.2
D311,820 S *	11/1990	Glucksman .....	D6/308
D333,574 S *	3/1993	Ackeret .....	D6/300
D335,963 S *	6/1993	Tracey .....	D6/300
D468,296 S *	1/2003	Graceffa .....	D13/164
D473,877 S *	4/2003	Korpai .....	D14/448
D561,619 S *	2/2008	Miyawaki .....	D10/65
D583,572 S *	12/2008	Zhai .....	D14/371
D594,356 S *	6/2009	Riddiford .....	D10/65

(Continued)

OTHER PUBLICATIONS

ViewSonic VSD242-BKA-US0 24" 10-Point Touch Smart Display with HDMI, posted Jun. 30, 2016, [retrieved May 14, 2018]. Retrieved from Internet, <URL: <https://www.amazon.com/ViewSonic-VSD242-BKA-US0-10-Point-Touch-Display/dp/B01HSABUB2>>.\*

(Continued)

*Primary Examiner* — Barbara Fox

*Assistant Examiner* — Kristin E Reed

(74) *Attorney, Agent, or Firm* — Fenwick & West LLP

(57) **CLAIM**

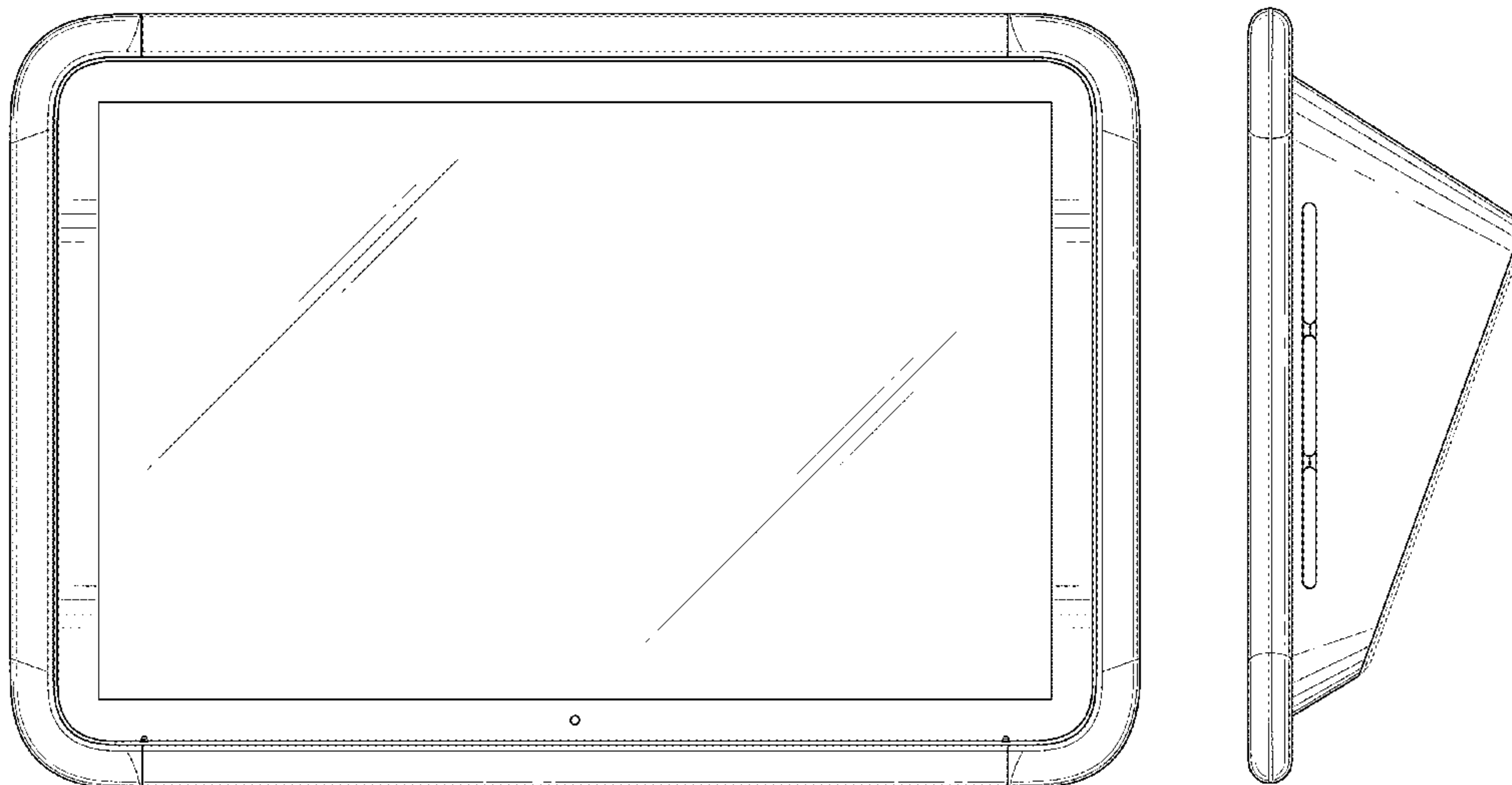
The ornamental design for a display device, as shown and described.

**DESCRIPTION**

FIG. 1 is a front, top, left perspective view of a display device showing our new design; FIG. 2 is a rear, bottom, right perspective view thereof; FIG. 3 is a front view thereof; FIG. 4 is a rear view thereof; FIG. 5 is a right side view thereof; FIG. 6 is a left side view thereof; FIG. 7 is a bottom view thereof; and, FIG. 8 is an top view thereof.

The broken lines shown in the drawings depict portions of the display device that form no part of the claimed design.

**1 Claim, 8 Drawing Sheets**



(56)

**References Cited**

U.S. PATENT DOCUMENTS

D611,032 S \* 3/2010 Kim ..... D14/126  
D648,712 S \* 11/2011 Brickstad ..... D10/65  
D711,845 S \* 8/2014 Skiadiotis ..... D14/126  
9,300,344 B2 \* 3/2016 Rayner ..... H01H 13/06

OTHER PUBLICATIONS

Name: interactive intelligent panel-55/65, CMO V546H1, posted unknown, [retrieved May 14, 2018]. Retrieved from Internet, <URL: <http://www.anyuchina.com/en/displayproduct.html?proID=2934370> >.\*

Aluratek AIRMM03F Wi-Fi Internet Radio Streaming Pandora, Slacker, iHeart, Spotify (Black), posted Oct. 11, 2015, [retrieved May 14, 2018]. Retrieved from Internet, <URL: <https://www.amazon.com/Aluratek-AIRMM03F-Internet-Streaming-Pandora/dp/B016GNX30S> >.\*

\* cited by examiner

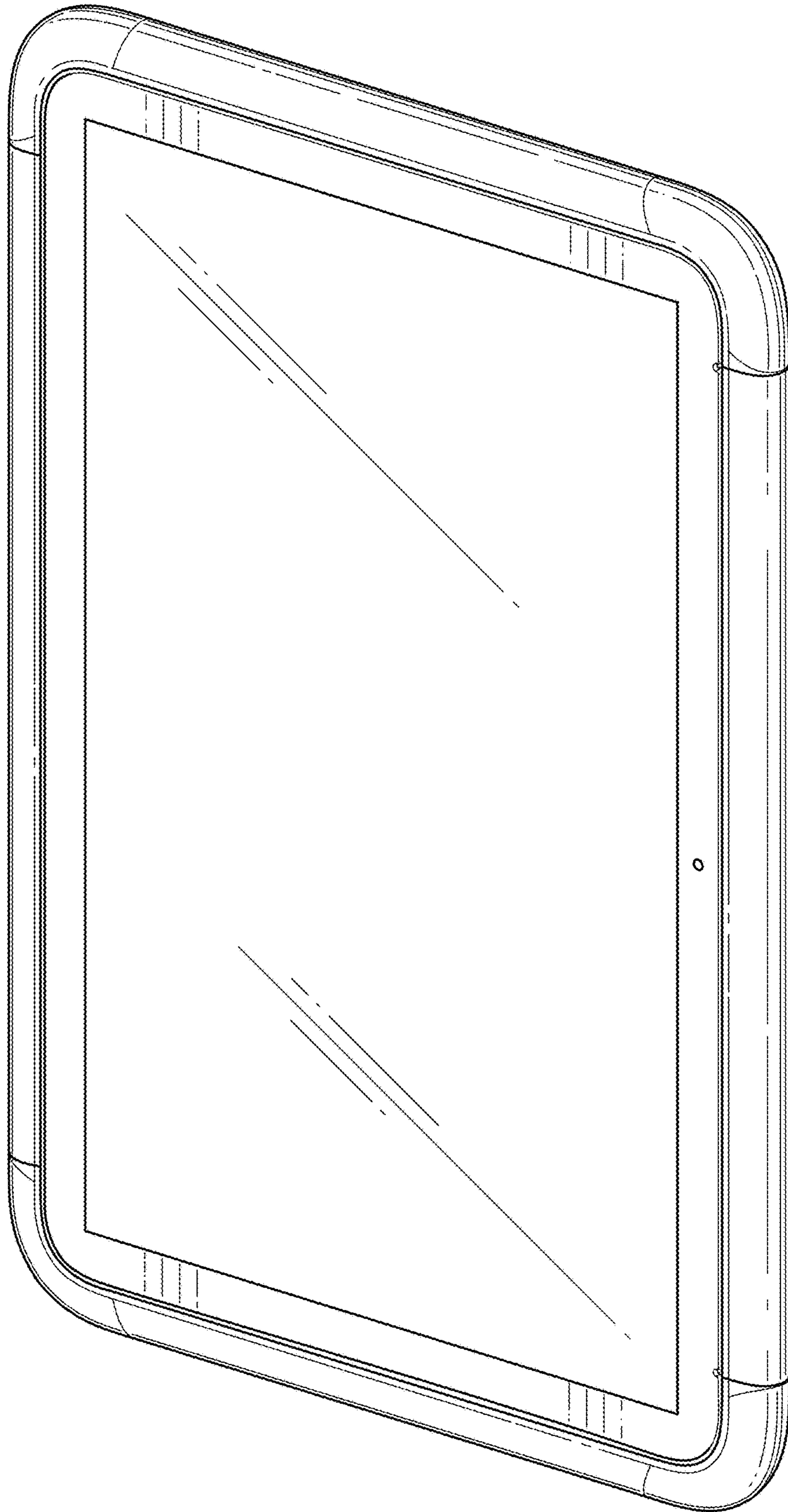


FIG. 1

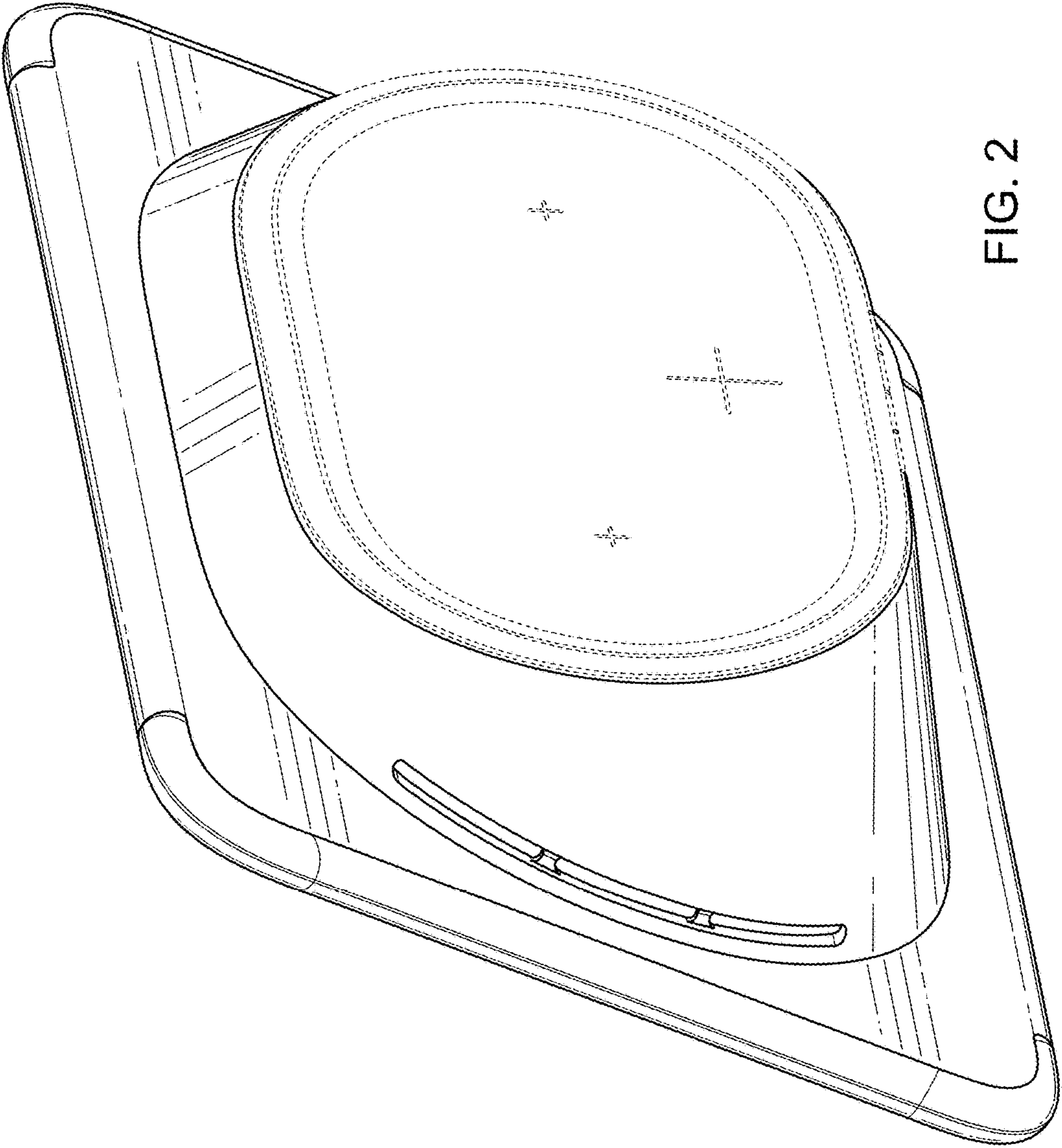


FIG. 2



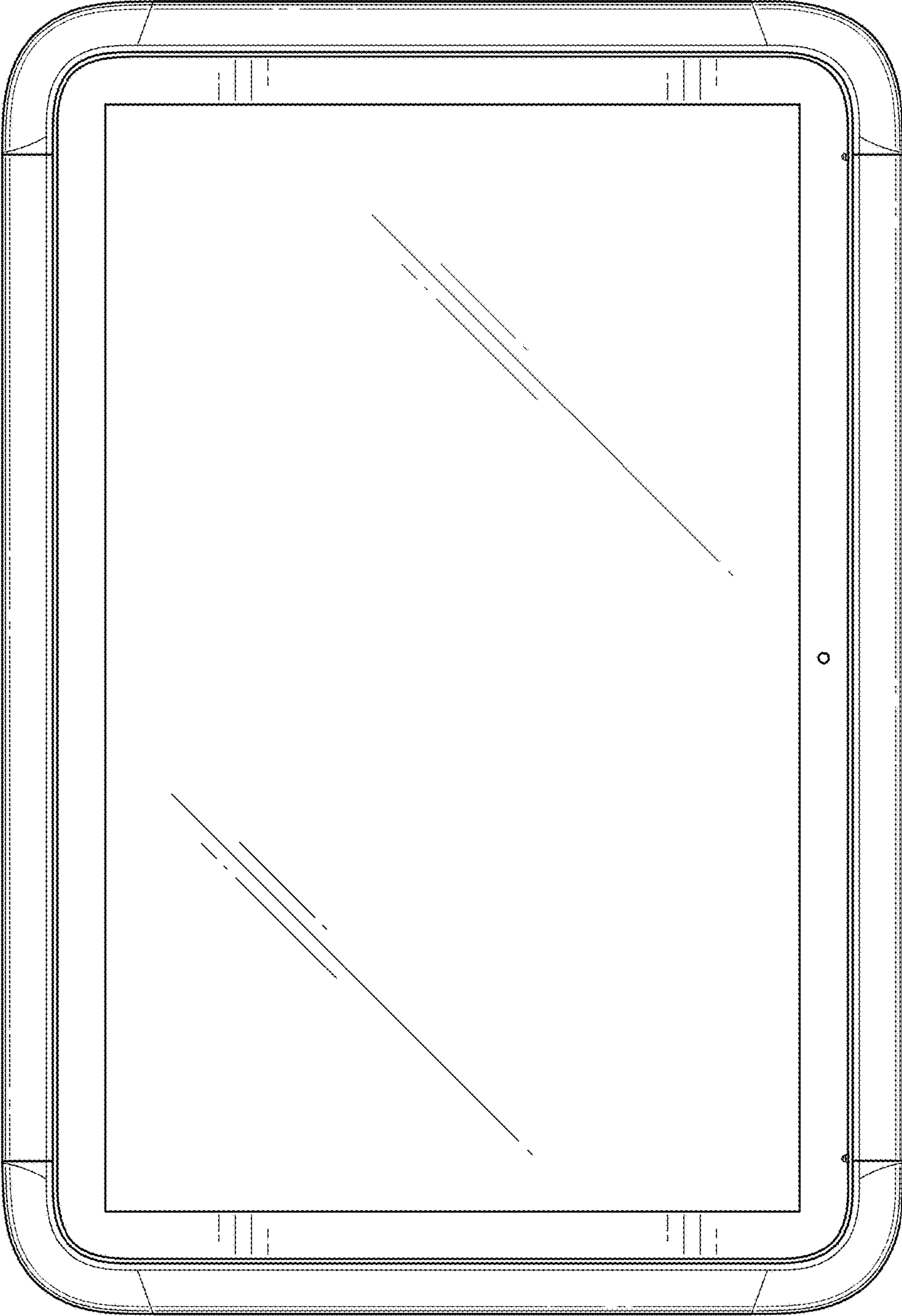


FIG. 3

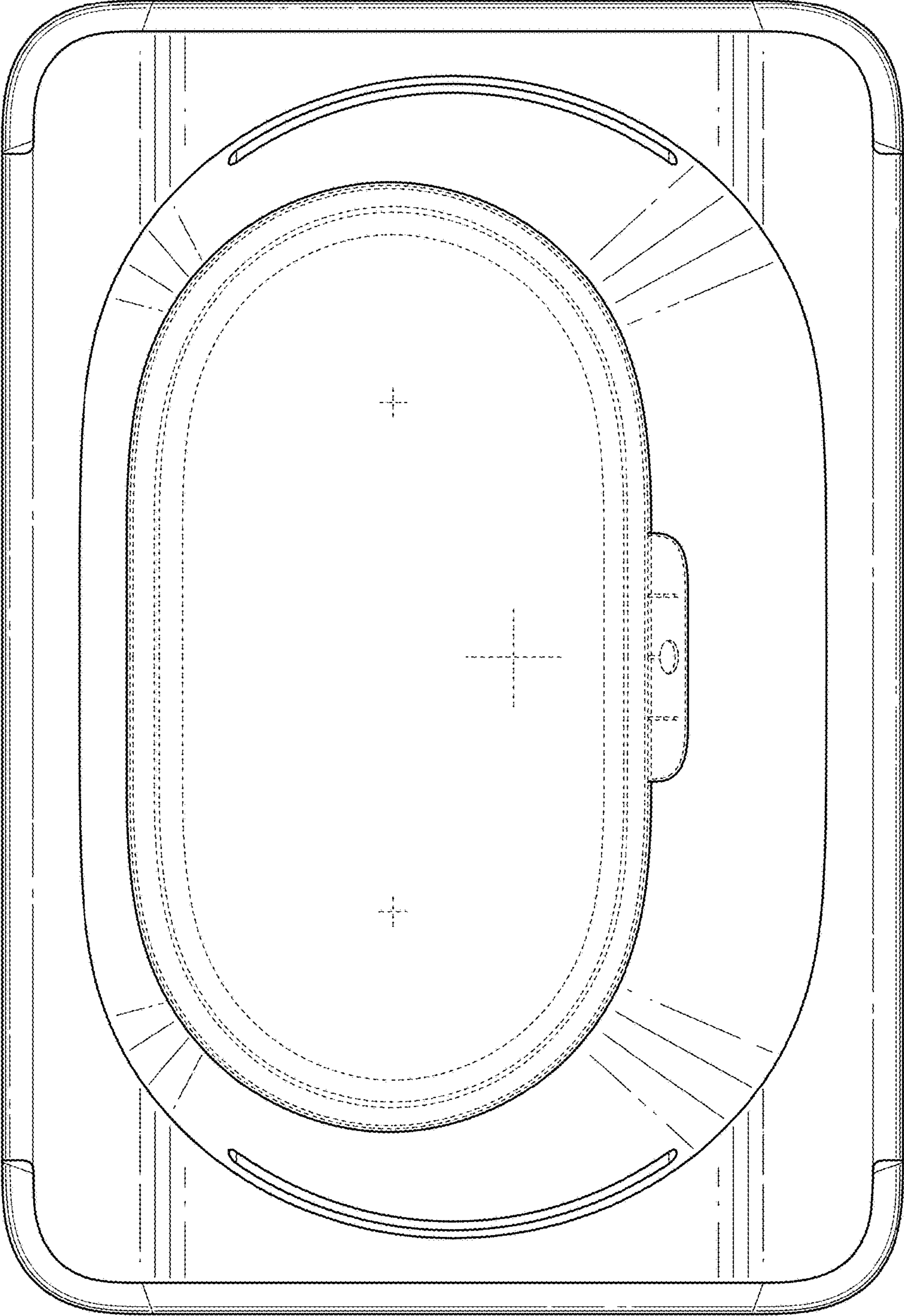


FIG. 4

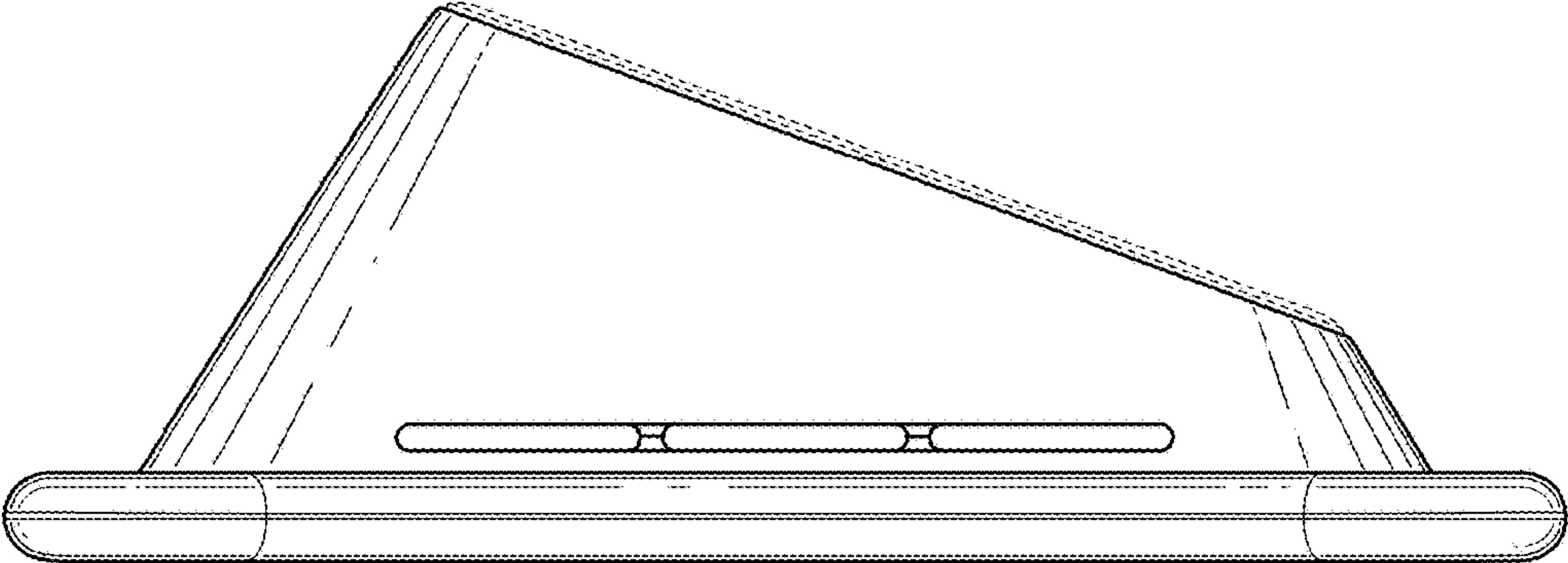


FIG. 5

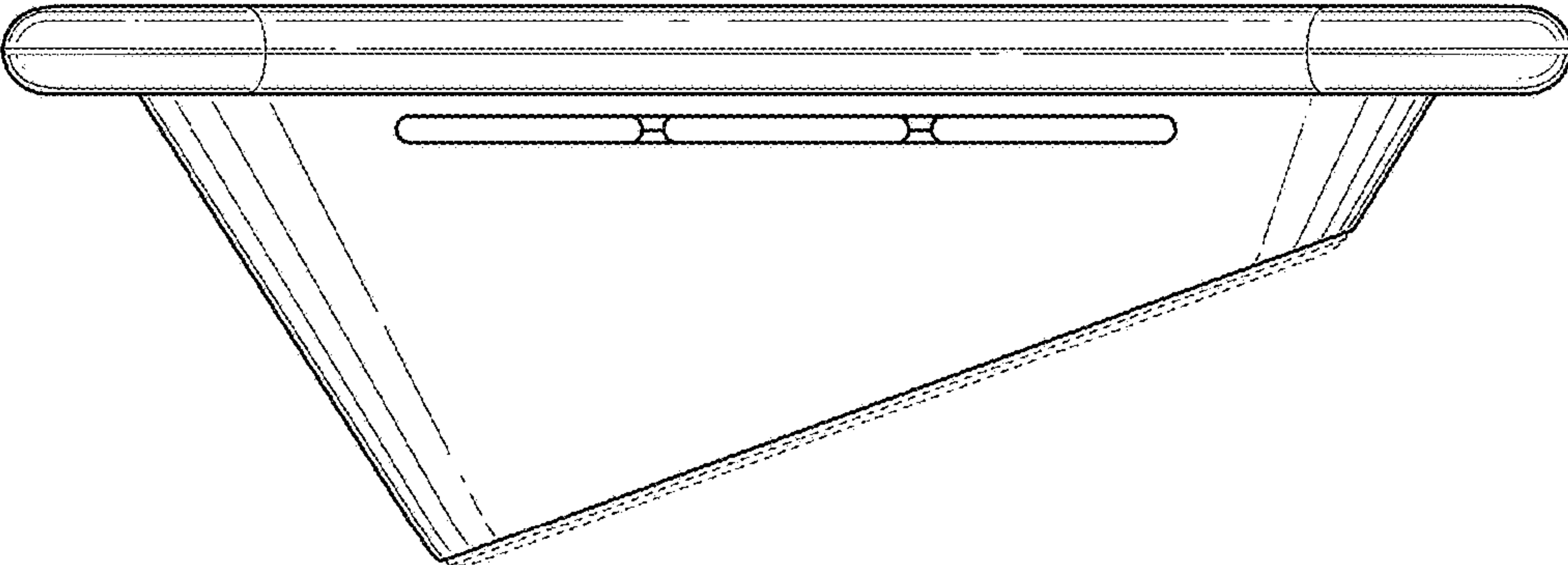


FIG. 6



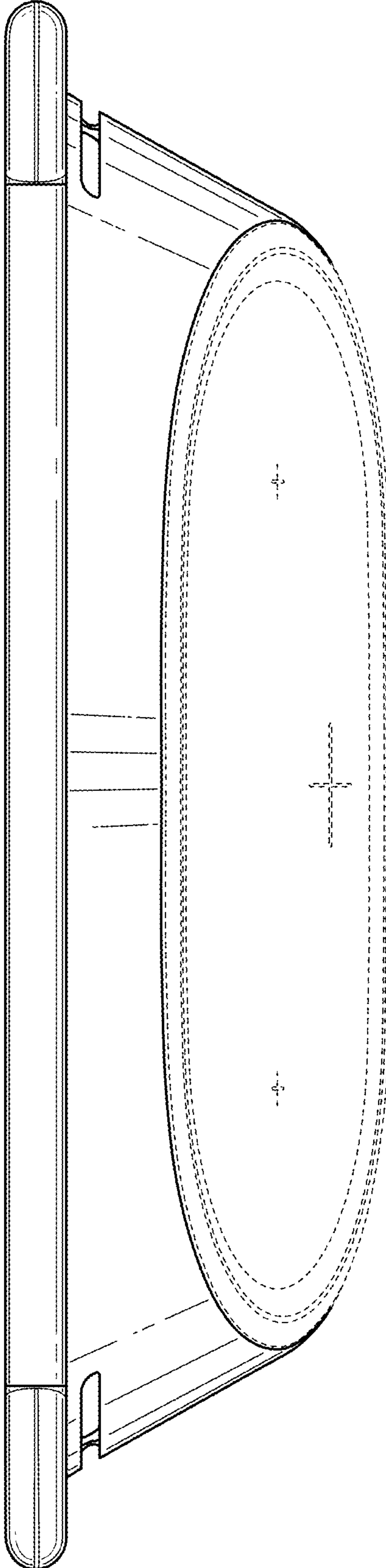


FIG. 7

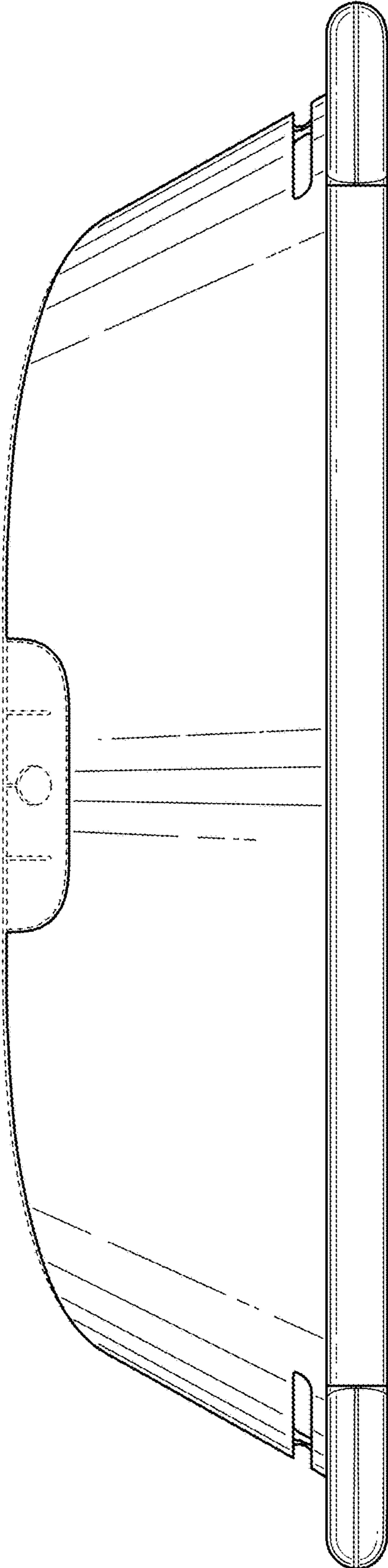


FIG. 8