



US00D834570S

(12) **United States Design Patent**
Holladay et al.

(10) **Patent No.:** **US D834,570 S**

(45) **Date of Patent:** **** Nov. 27, 2018**

(54) **SET OF COMPONENTS FOR A MOBILE COMMUNICATIONS DEVICE PROTECTIVE CASE**

D677,251 S * 3/2013 Melanson D14/250
D679,270 S * 4/2013 Eicher D14/250
D683,338 S * 5/2013 Wilson D14/250

(Continued)

(71) Applicants: **J. Daniel Holladay**, Amherst, NY (US);
Tucker D. Holladay, Lowell, MA (US)

Primary Examiner — Carla J Wright

(72) Inventors: **J. Daniel Holladay**, Amherst, NY (US);
Tucker D. Holladay, Lowell, MA (US)

(74) *Attorney, Agent, or Firm* — Vincent G. LoTempio;
Kloss, Stenger & LoTempio; David T. Stephenson

(**) Term: **14 Years**

(57) **CLAIM**

(21) Appl. No.: **29/526,406**

The ornamental design for a set of components for a mobile communications device protective case, as shown and described.

(22) Filed: **May 8, 2015**

DESCRIPTION

(51) **LOC (11) Cl.** **14-03**

(52) **U.S. Cl.**
USPC **D14/250**

(58) **Field of Classification Search**
USPC D14/248, 439, 203.3–203.7, 217, 240,
D14/447, 251–253, 238.1, 250, 440;
D3/201, 218, 247, 269, 273, 301, 303;
D13/103, 107–108, 119
CPC H04B 1/3888; H04M 1/0283; H04M
1/0202; A45C 1/06; A45C 2011/002;
A45C 11/00; A45C 13/02; A45F
2005/026; A45F 2200/0525; A45F
2200/0516

See application file for complete search history.

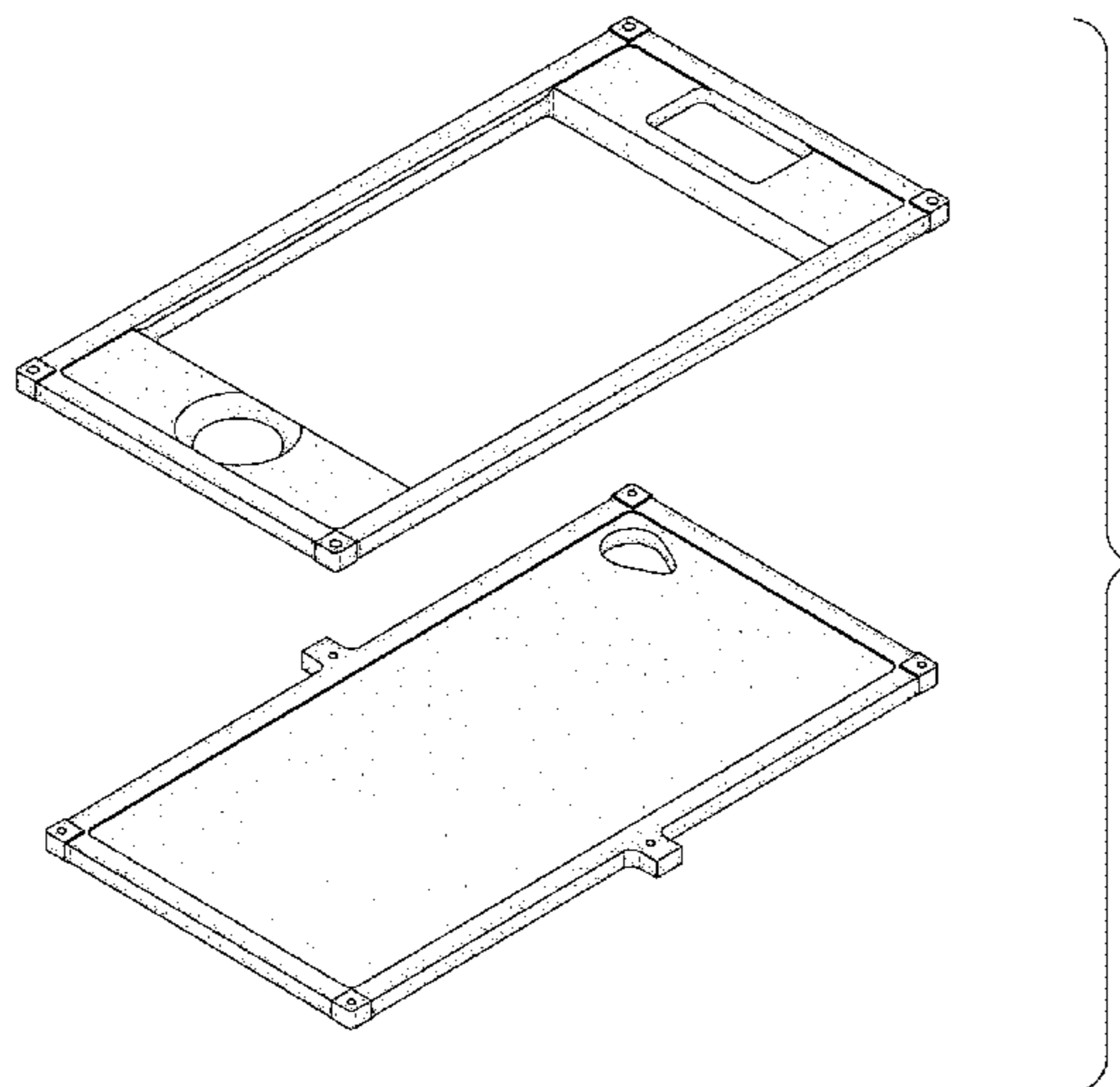
FIG. 1 is a front perspective view of the back plate component of a set of components for a mobile communications device protective case showing our new design;
FIG. 2 is a front view thereof;
FIG. 3 is rear view thereof;
FIG. 4 is a left side view thereof;
FIG. 5 is a right side view thereof;
FIG. 6 is a top plan view thereof;
FIG. 7 is a bottom plan view thereof;
FIG. 8 is a front perspective view of the face plate component of the set of components for a mobile communications device protective case;
FIG. 9 is a front view thereof;
FIG. 10 is a rear view thereof;
FIG. 11 is a left side view thereof;
FIG. 12 is a right side view thereof;
FIG. 13 is a top plan view thereof;
FIG. 14 is a bottom plan view thereof; and,
FIG. 15 is an exploded perspective view of both the face plate and back plate components of the set of components for a mobile communications device protective case.
The stippling on the drawing figures designates claimed subject matter and distinguishes between surfaces, which are stippled, and openings, which are not stippled.

(56) **References Cited**

U.S. PATENT DOCUMENTS

D459,346 S * 6/2002 Powell D14/250
D551,847 S * 10/2007 Yeap D3/201
D577,904 S * 10/2008 Sasaki D3/201
D600,013 S * 9/2009 McCune D3/273
D613,282 S * 4/2010 Richardson D14/250
D615,535 S * 5/2010 Richardson D14/250
D617,784 S * 6/2010 Richardson D14/250
D623,179 S * 9/2010 Richardson D14/250
D642,169 S * 7/2011 Andre D14/250

1 Claim, 11 Drawing Sheets



(56)

References Cited

U.S. PATENT DOCUMENTS

D691,123 S * 10/2013 Lay D14/250
D695,730 S * 12/2013 Wicks D14/250
D702,221 S * 4/2014 Vandiver D14/250
D709,485 S * 7/2014 Bishop D14/250
D717,781 S * 11/2014 Kim D14/250
D719,947 S * 12/2014 Kobayashi D14/250
9,084,356 B2 * 7/2015 Fife H04M 1/11
D759,641 S * 6/2016 Lai D14/250
D762,203 S * 7/2016 Chin D14/250
D766,248 S * 9/2016 Holladay D14/440
2012/0001525 A1 * 1/2012 Ogatsu H04B 1/3888
312/223.1
2013/0273944 A1 * 10/2013 Wilson H04M 1/026
455/457
2014/0216953 A1 * 8/2014 Su A45C 11/00
206/37
2017/0035165 A1 * 2/2017 Chiang A45F 5/00

* cited by examiner

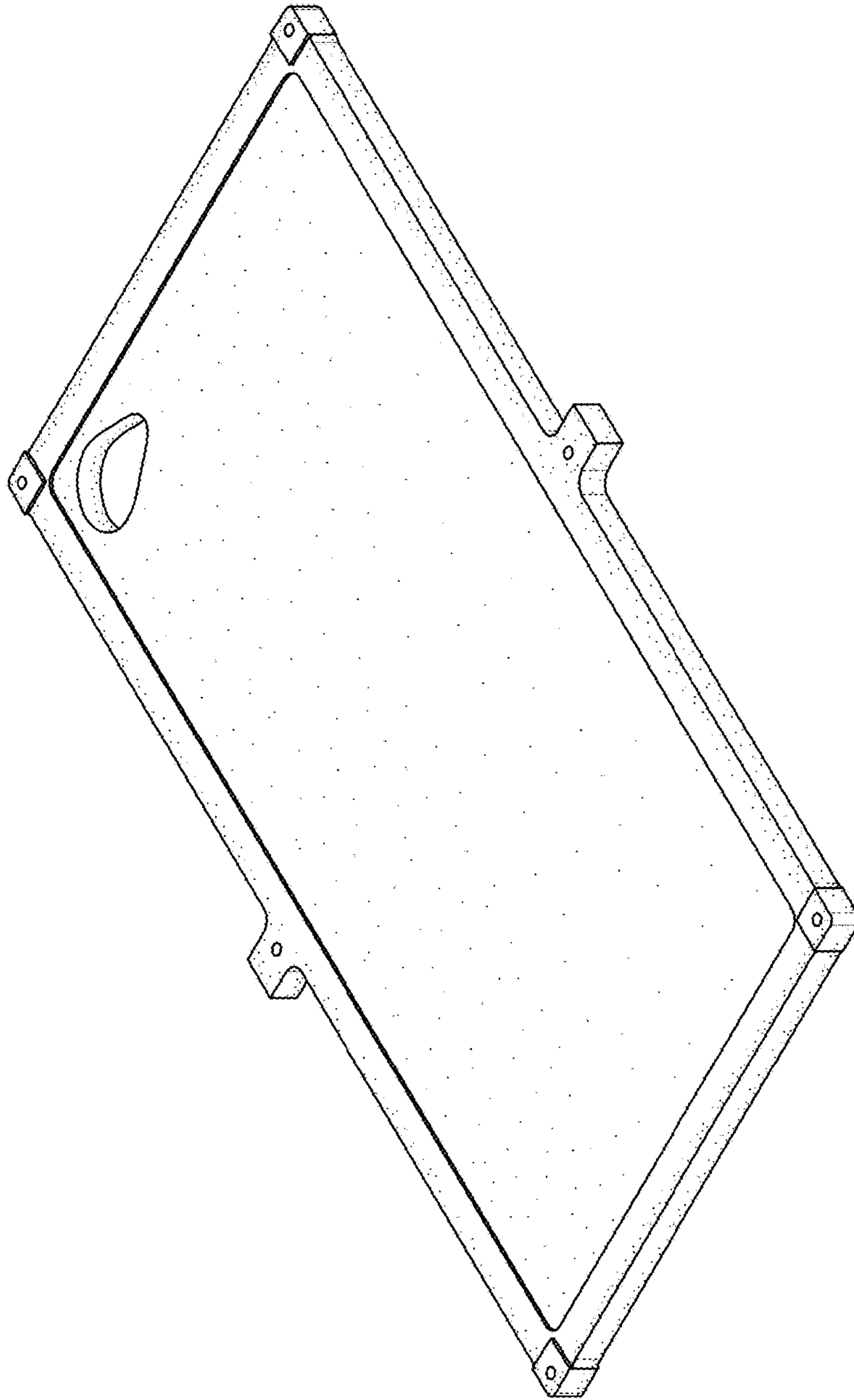


FIG. 1

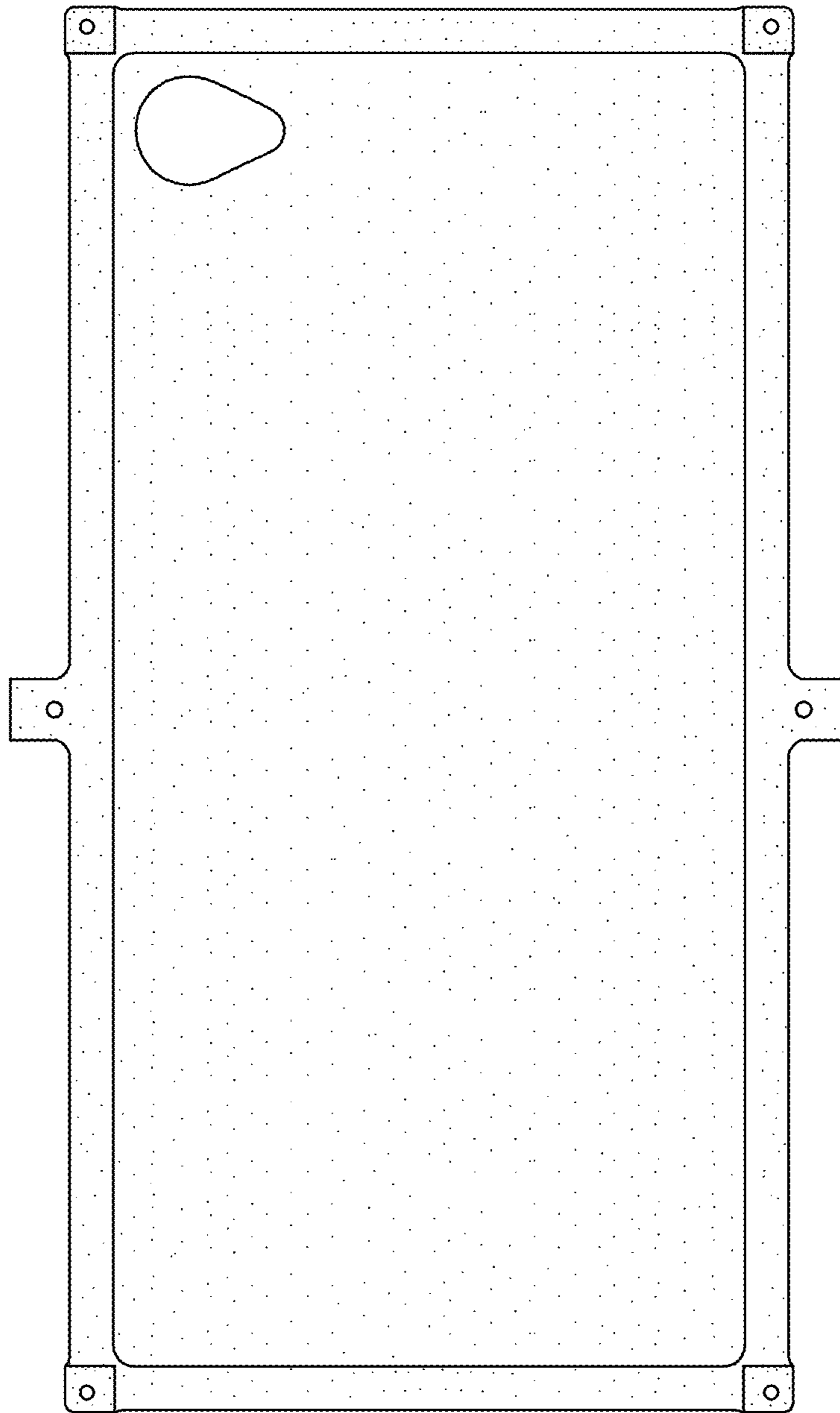


FIG. 2

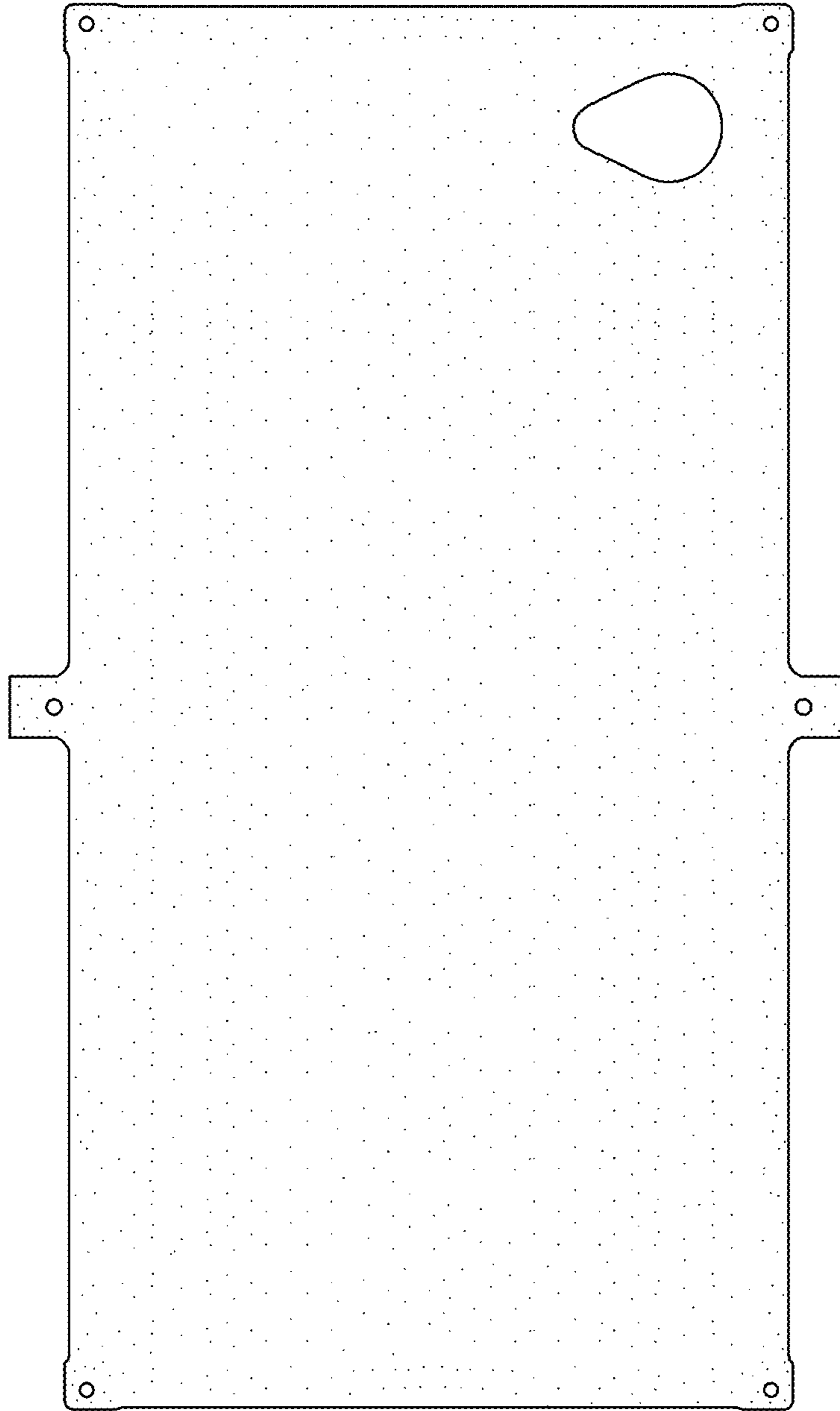


FIG. 3



FIG. 4

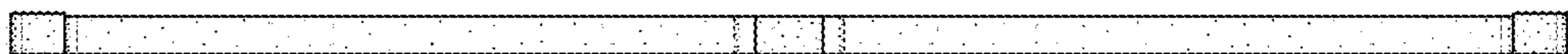


FIG. 5

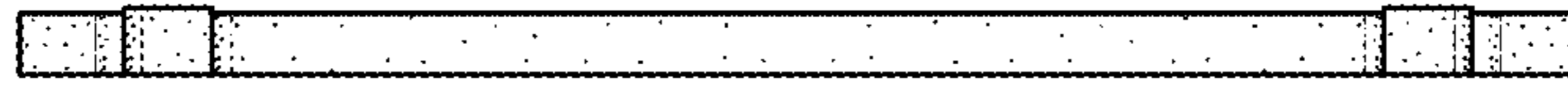


FIG. 6

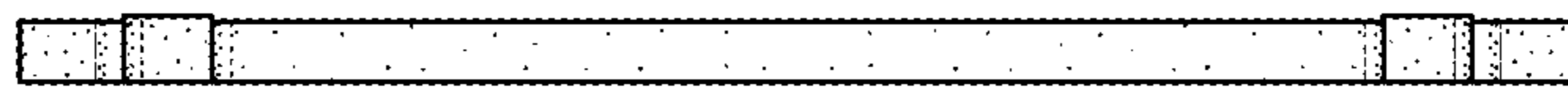


FIG. 7

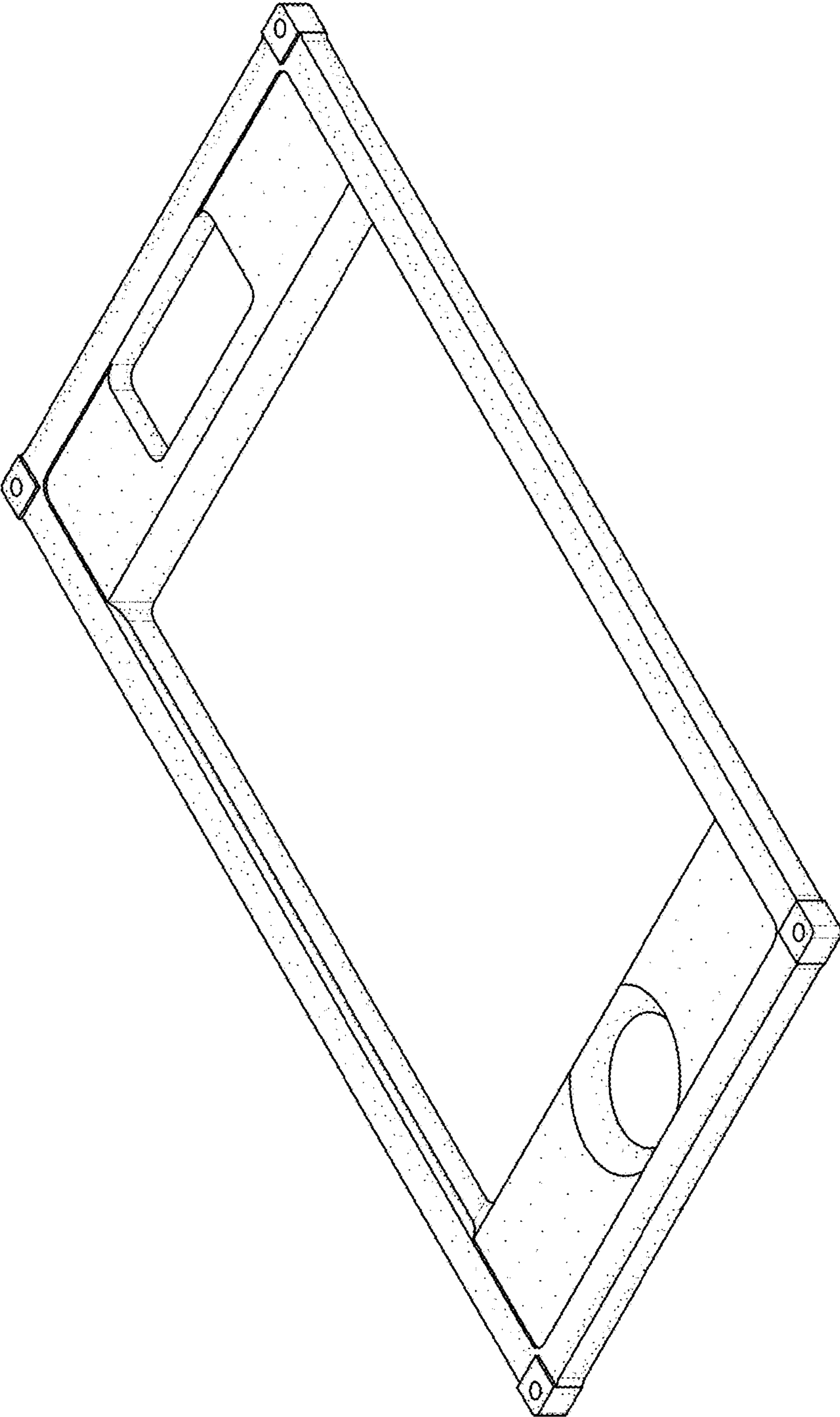


FIG. 8

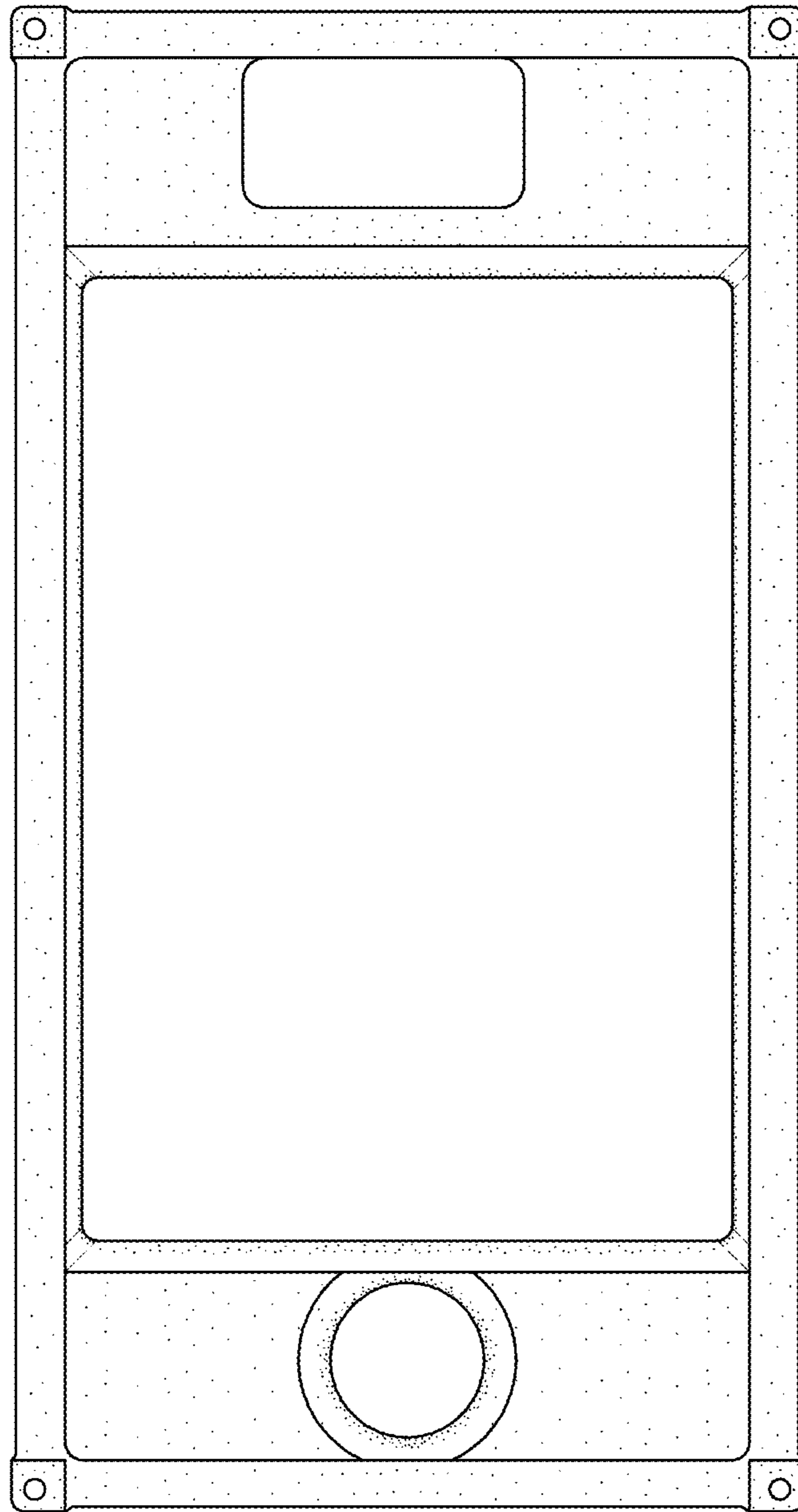


FIG. 9

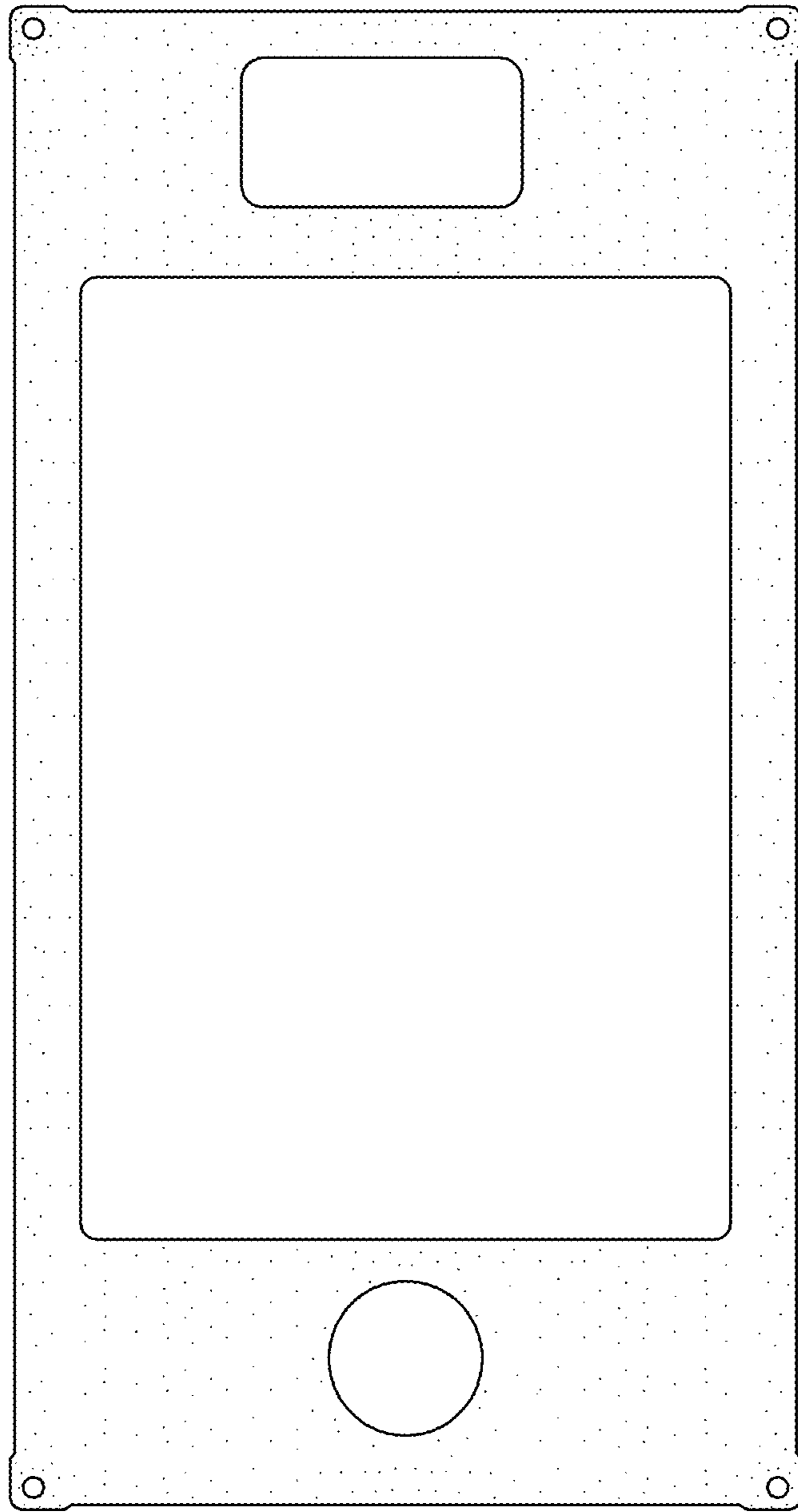


FIG. 10

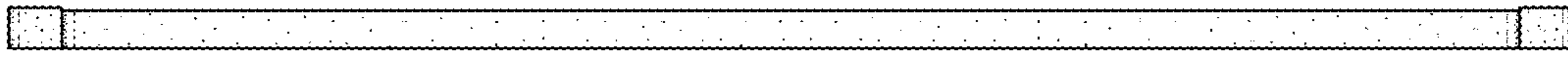


FIG. 11

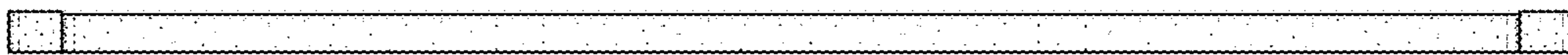


FIG. 12

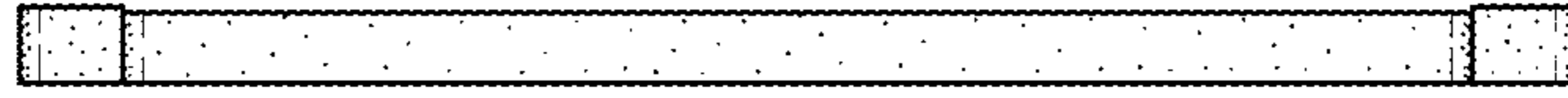


FIG. 13

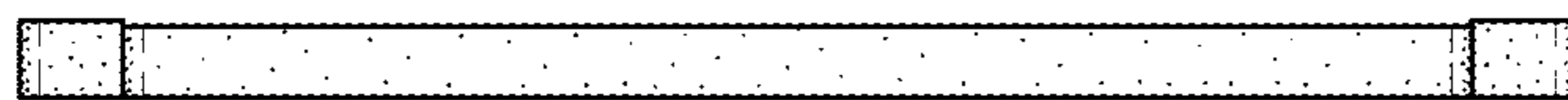


FIG. 14

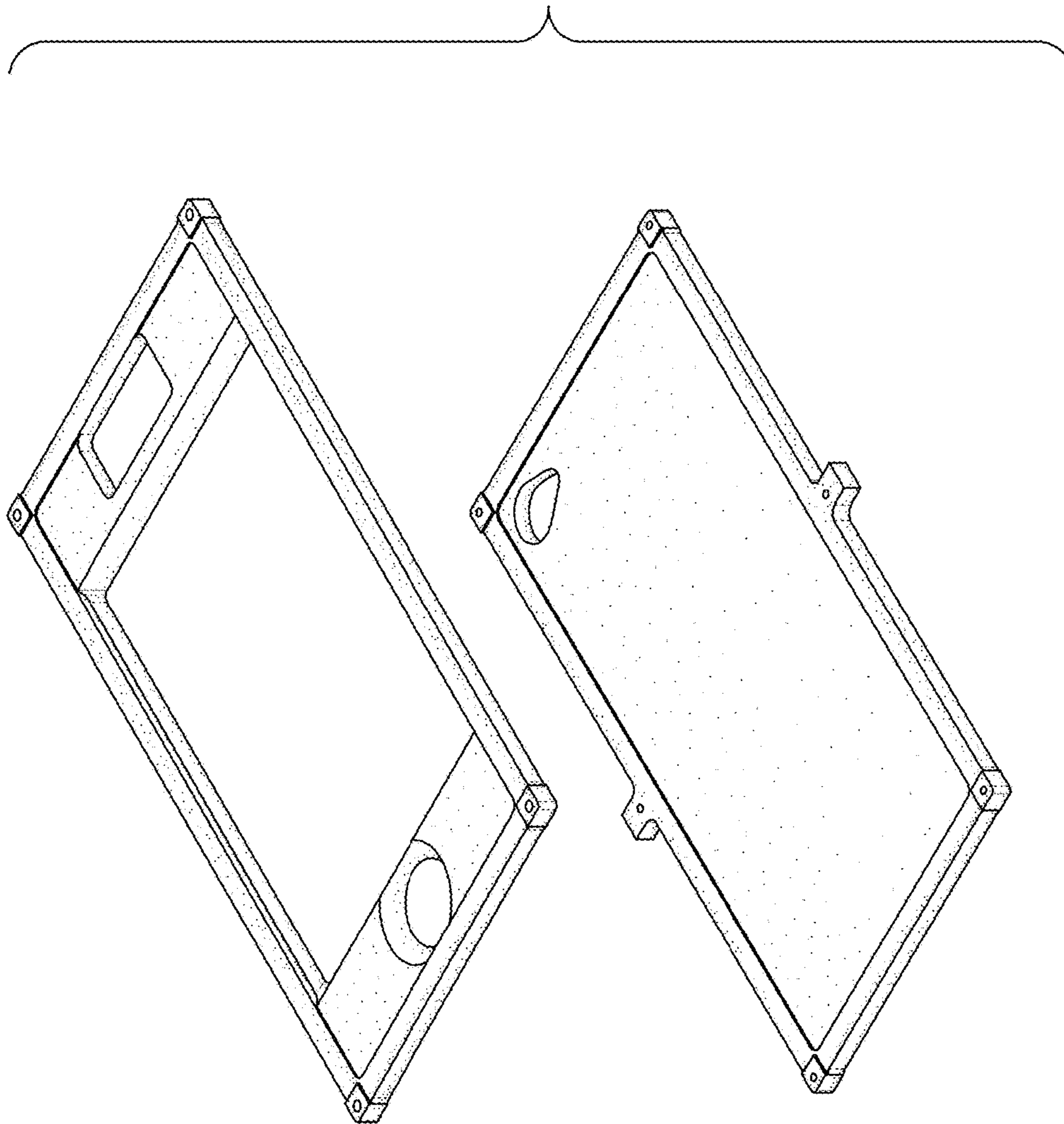


FIG. 15